



US00D462577S

(12) **United States Design Patent**
Miller et al.

(10) **Patent No.:** **US D462,577 S**

(45) **Date of Patent:** **** Sep. 10, 2002**

(54) **SPORTS MUG**

(75) Inventors: **Christopher E. Miller**, Perrysburg, OH (US); **Cary A. Kingsley**, Toledo, OH (US)

(73) Assignee: **Marck & Associates, Inc.**, Toledo, OH (US)

(**) Term: **14 Years**

(21) Appl. No.: **29/151,354**

(22) Filed: **Nov. 8, 2001**

Related U.S. Application Data

(62) Division of application No. 29/121,799, filed on Apr. 13, 2000, now Pat. No. Des. 454,033.

(51) **LOC (7) Cl.** **07-01**

(52) **U.S. Cl.** **D7/514**

(58) **Field of Search** D7/514, 505, 507, D7/509, 510, 511, 515, 516, 522, 523, 524, 525, 526, 527, 528, 529, 530, 531, 532, 533, 534, 536, 537, 584, 901; D24/197; 206/217, 520; 220/367.1, 574, 669, 671, 672, 673, 675, 700, 703, 704, 705, 712, 713, 714, 715, 717, 718, 729, 737, 739, 771; 229/106, 400, 402

(56) **References Cited**

U.S. PATENT DOCUMENTS

D301,002 S 5/1989 Kalamaras et al.
4,932,542 A 6/1990 Chen et al.

D328,688 S 8/1992 Palmer et al.
D348,803 S 7/1994 Aronson
D352,639 S 11/1994 Rigsby
D370,391 S 6/1996 Bauer et al.
D377,737 S 2/1997 Kristnik
D387,612 S 12/1997 Wilson et al.
D387,614 S 12/1997 Wilson et al.
D392,507 S 3/1998 Wilson et al.
5,904,268 A 5/1999 Daly
D416,173 S 11/1999 Hersch
D425,706 S 5/2000 Calderone
D448,241 S * 9/2001 Morris, Jr. D7/507

* cited by examiner

Primary Examiner—Doris V. Coles

Assistant Examiner—T. Chase Nelson

(74) *Attorney, Agent, or Firm*—MacMillan, Sobanski & Todd, LLC

(57) **CLAIM**

The ornamental design for a sports mug, as shown and described.

DESCRIPTION

FIG. 1 is a front elevational view of a sports mug embodying my design.

FIG. 2 is a right side elevational view thereof.

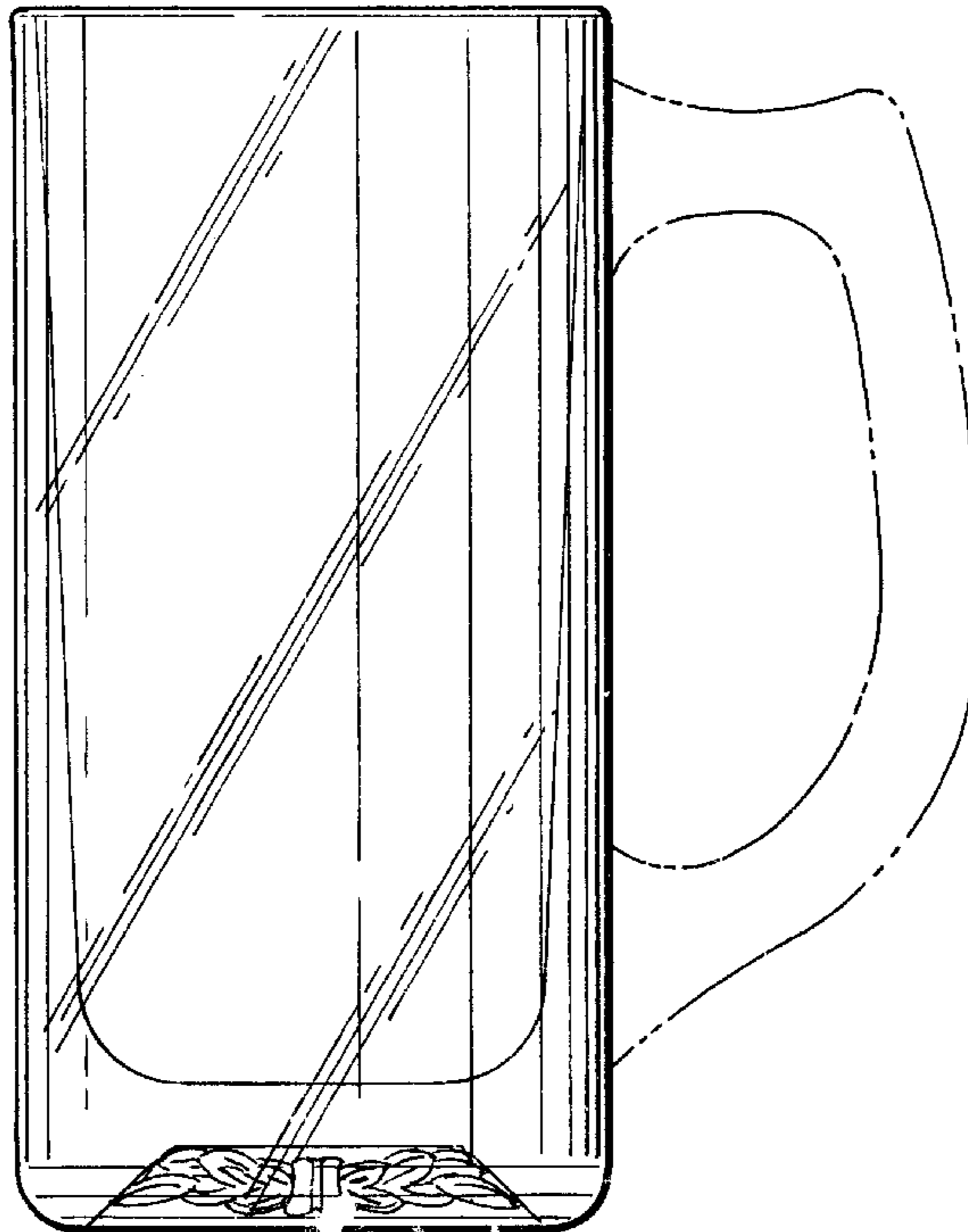
FIG. 3 is a rear elevational view thereof.

FIG. 4 is a top plan view thereof; and,

FIG. 5 is a bottom plan view thereof.

The broken line showing of environmental structure shown in FIG. 1 of the drawing is for illustrative purposes only and forms no part of the claimed design.

1 Claim, 2 Drawing Sheets



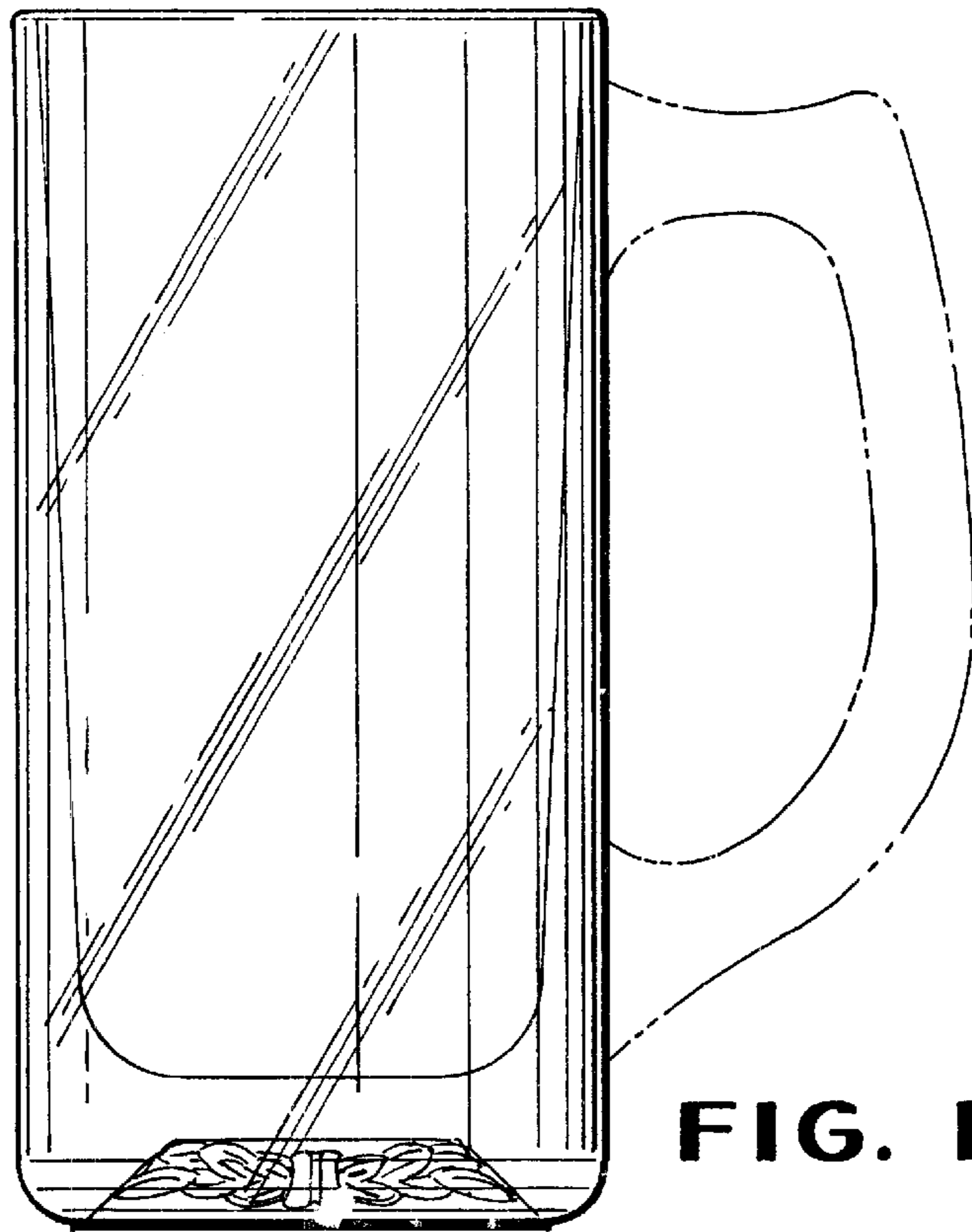


FIG. 1

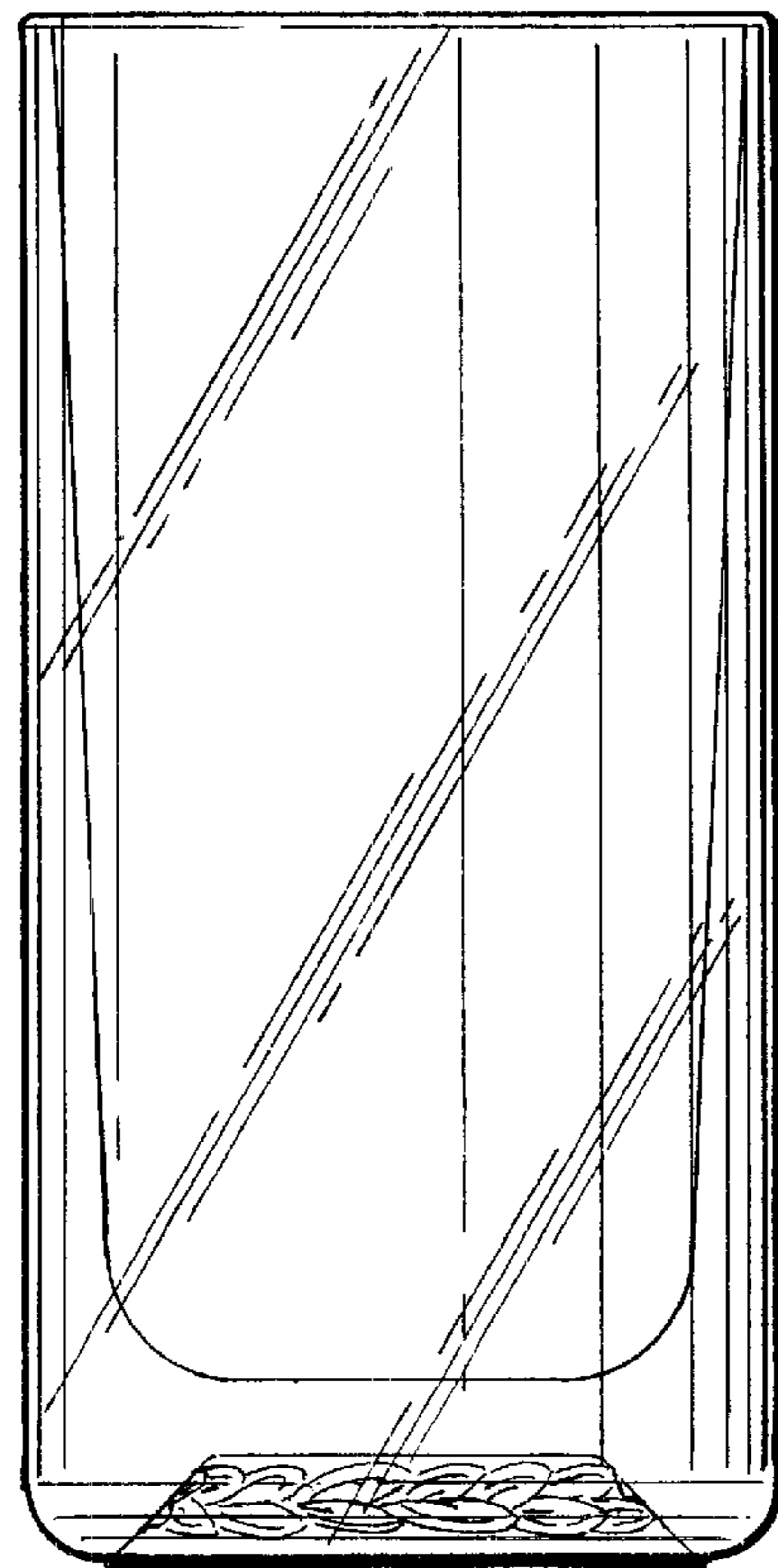


FIG. 2

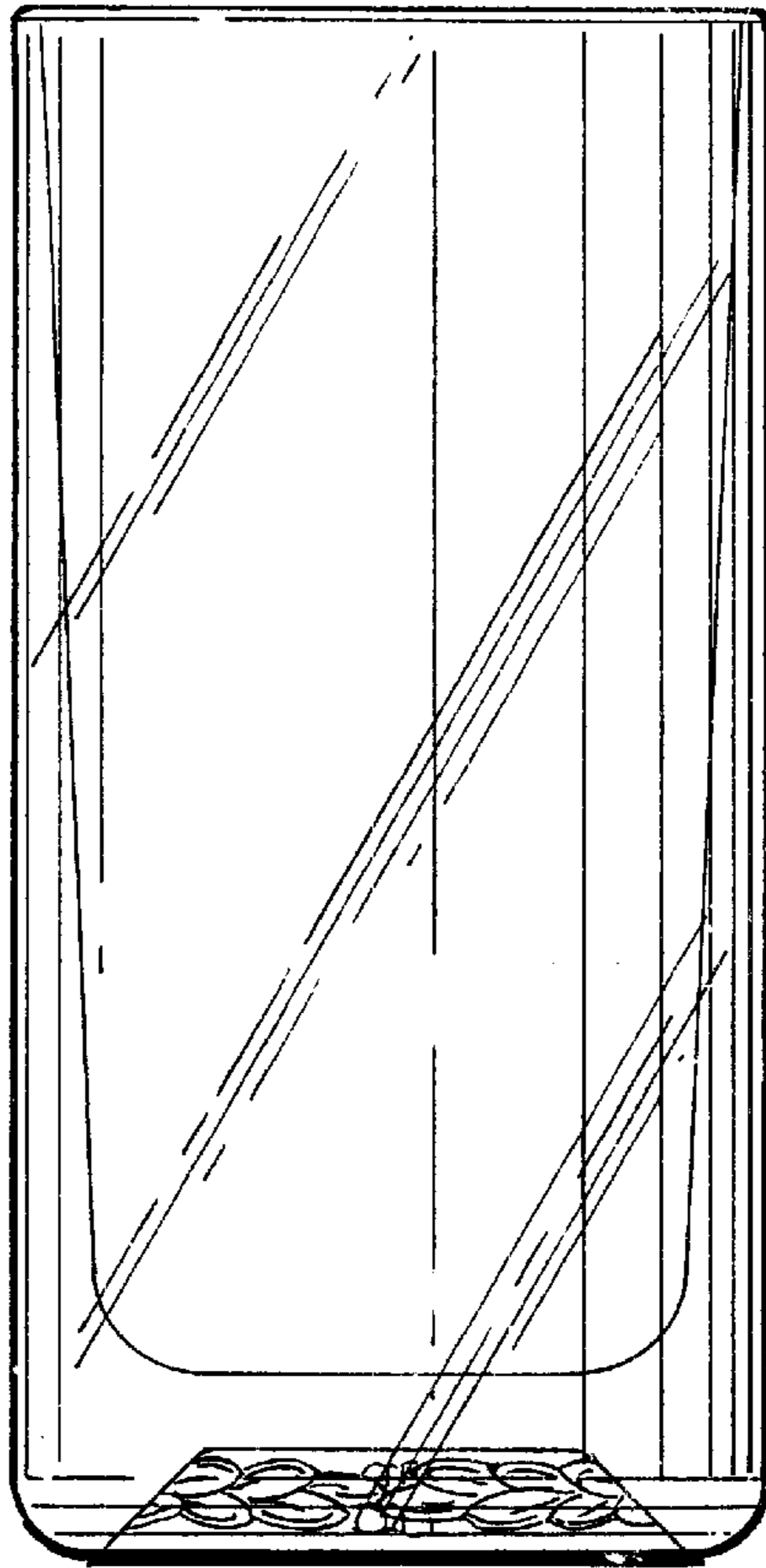


FIG. 3



FIG. 4



FIG. 5