



US00D462575S

(12) **United States Design Patent**
Gluck

(10) **Patent No.:** **US D462,575 S**

(45) **Date of Patent:** **** Sep. 10, 2002**

(54) **MUG BEVERAGE CONTAINER**

(75) Inventor: **Robert Gluck**, New York, NY (US)

(73) Assignee: **Gordon Industries Ltd.**, Lynbrook, NY (US)

(**) Term: **14 Years**

(21) Appl. No.: **29/140,514**

(22) Filed: **Apr. 19, 2001**

(51) **LOC (7) Cl.** **07-01**

(52) **U.S. Cl.** **D7/510; D7/511; D7/533; D7/523**

(58) **Field of Search** D7/509, 523, 536, D7/533, 510, 511; 220/710.3, 714, 713, 719, 715, 737; 215/396, DIG. 8

(56) **References Cited**

U.S. PATENT DOCUMENTS

D231,068 S	*	4/1974	Douglas	D7/533
D340,385 S	*	10/1993	Durand	D7/509
5,249,703 A	*	10/1993	Karp	220/719
D384,860 S	*	10/1997	Trombly	D7/536
D396,777 S	*	8/1998	Inoue	D7/511
D398,815 S	*	9/1998	Hatsumoto et al.	D7/533
D406,011 S	*	2/1999	Hatsumoto et al.	D7/510
D417,589 S	*	12/1999	Parker	D7/510
D418,013 S	*	12/1999	Fujii	D7/510
D420,254 S	*	2/2000	Park	D7/510
D422,842 S	*	4/2000	Freed	D7/533
D424,878 S	*	5/2000	Freed	D7/533

D426,109 S	*	6/2000	Freed	D7/533
D431,159 S	*	9/2000	Otake	D7/510
D447,005 S	*	8/2001	Trombly	D7/536

* cited by examiner

Primary Examiner—M. N. Pandozzi

(74) *Attorney, Agent, or Firm*—Ezra Sutton

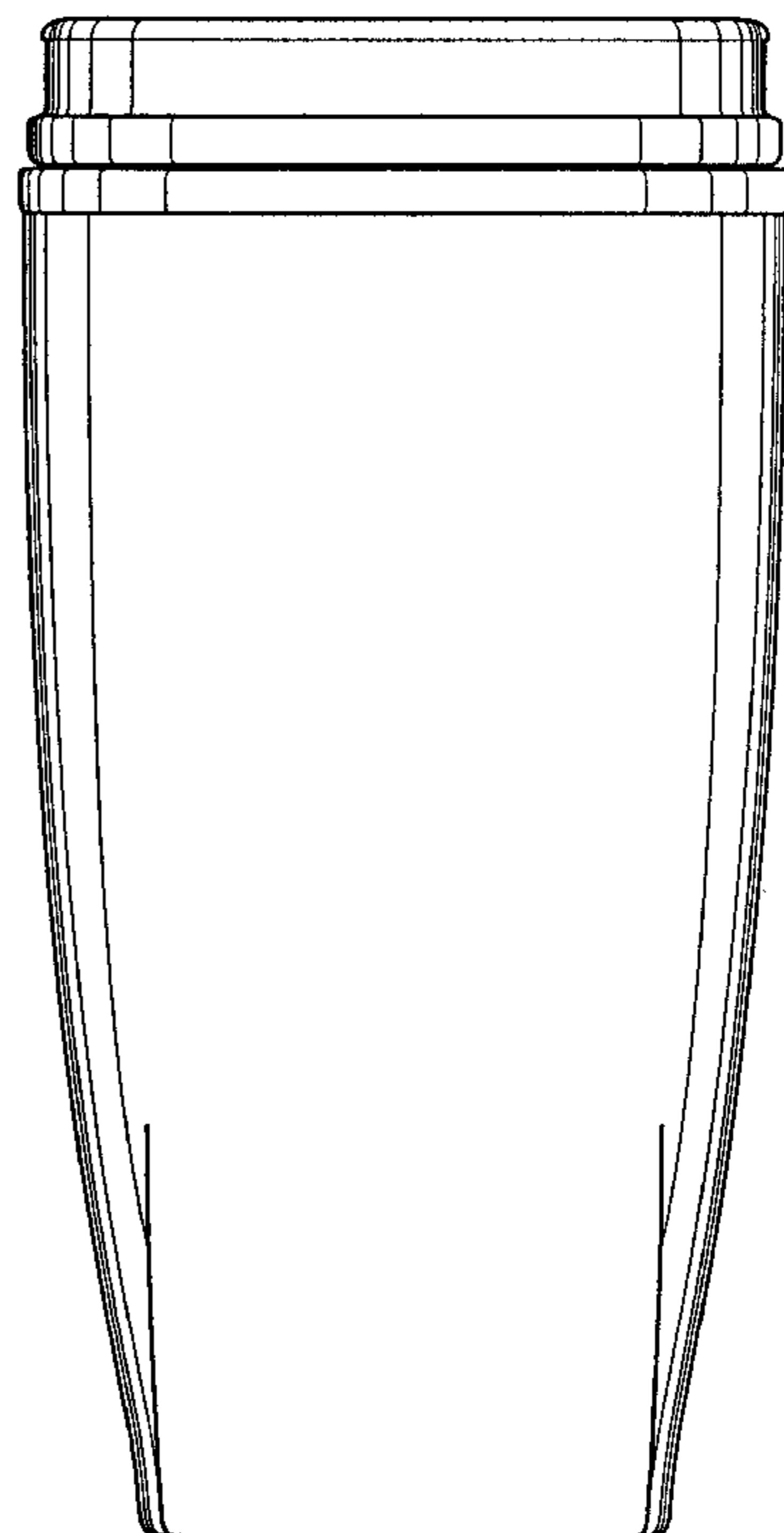
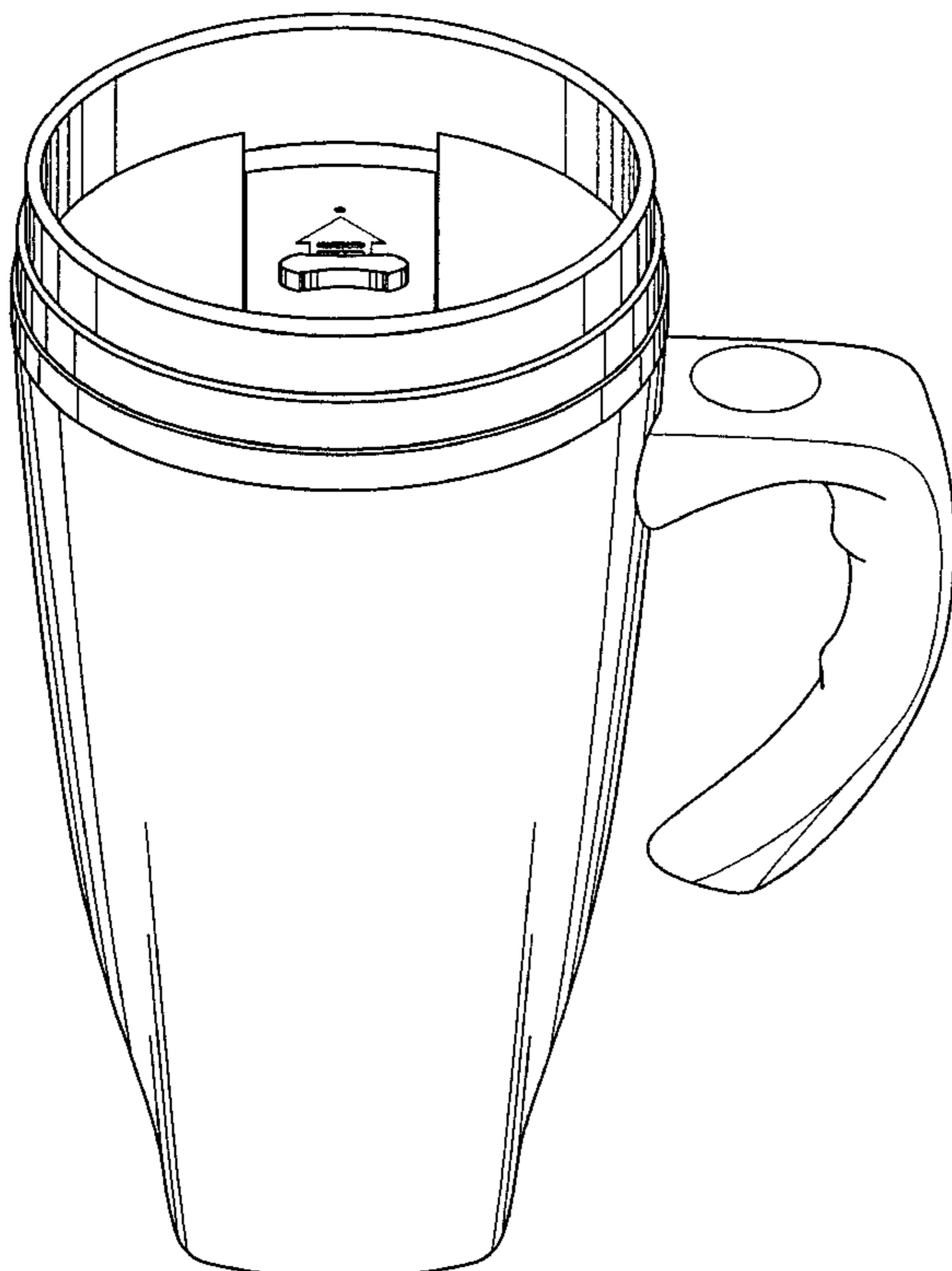
(57) **CLAIM**

The ornamental design for mug beverage container, as shown and described.

DESCRIPTION

FIG. 1 is a front perspective view of the first embodiment of a mug beverage container embodying my new design; FIG. 2 is a top view thereof; FIG. 3 is bottom view thereof; FIG. 4 is a front view thereof; FIG. 5 is a rear view thereof; FIG. 6 is a side view thereof, the other side being a mirror image thereof; FIG. 7 is a front perspective view of the second embodiment of a mug beverage container of the second embodiment embodying my new design; FIG. 8 is a top view thereof; FIG. 9 is a bottom view thereof; FIG. 10 is a front view thereof, the rear view being a mirror image thereof; and, FIG. 11 is a side view thereof, the other side being a mirror image thereof.

1 Claim, 5 Drawing Sheets



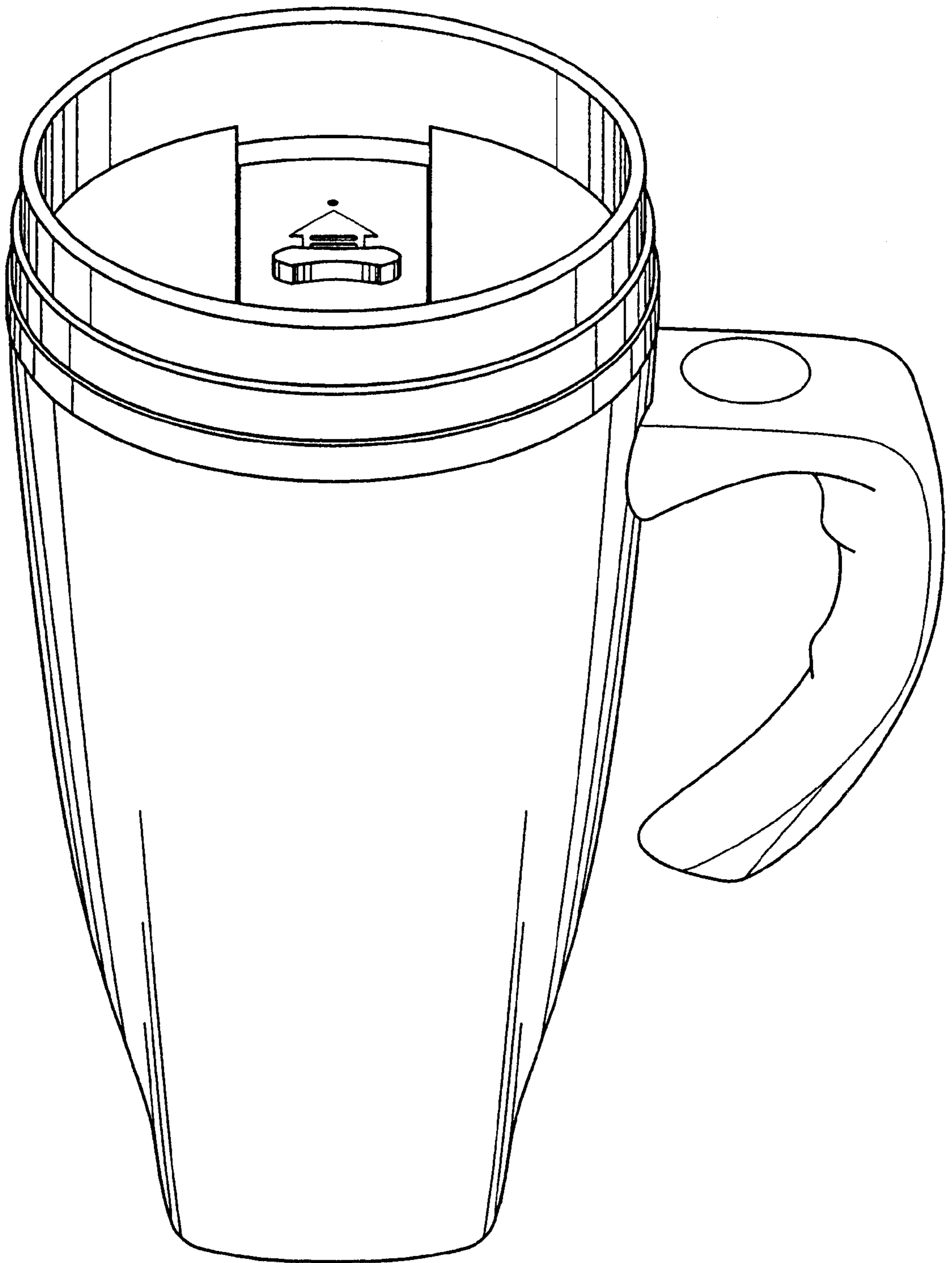


FIG. 1

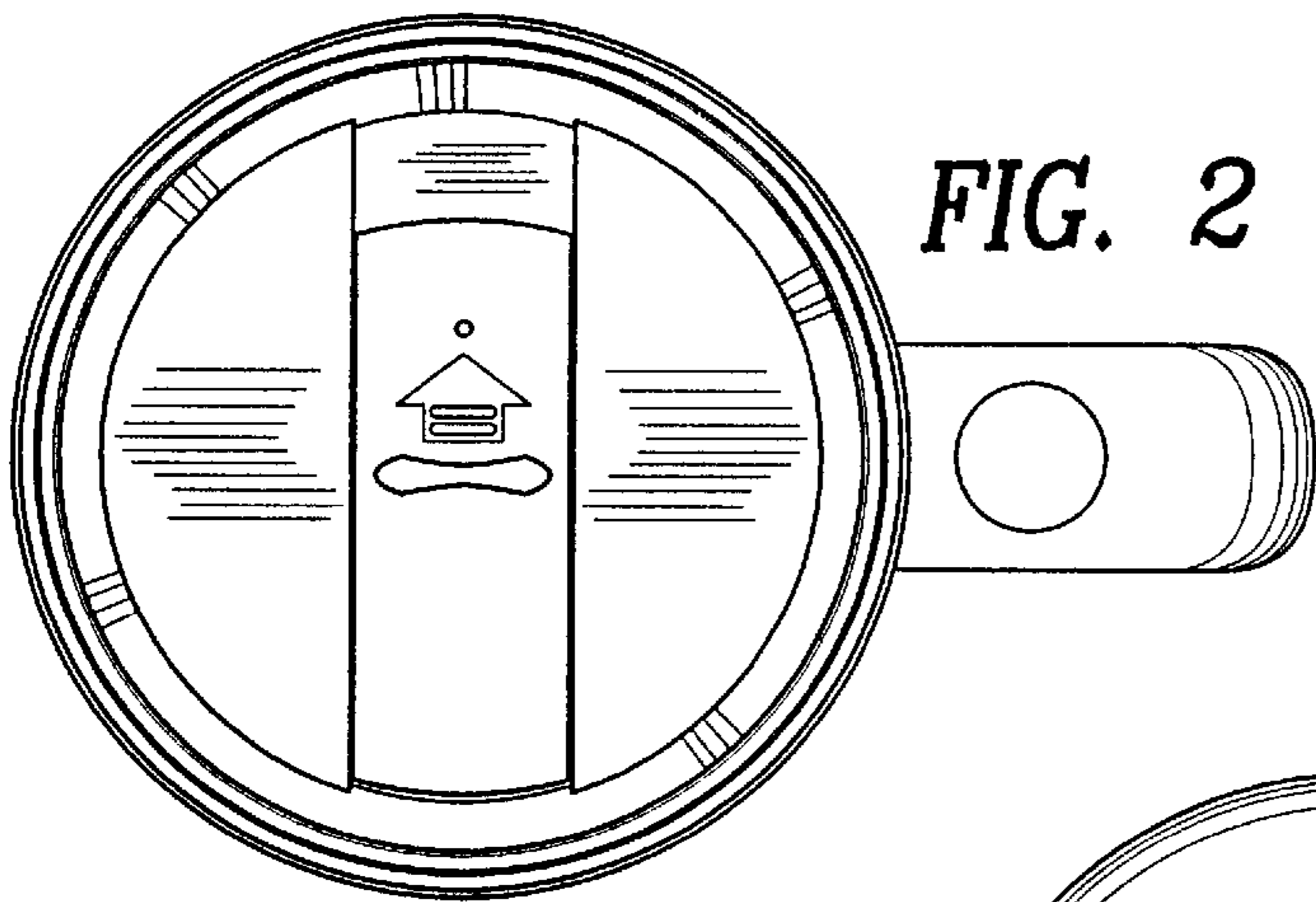


FIG. 2

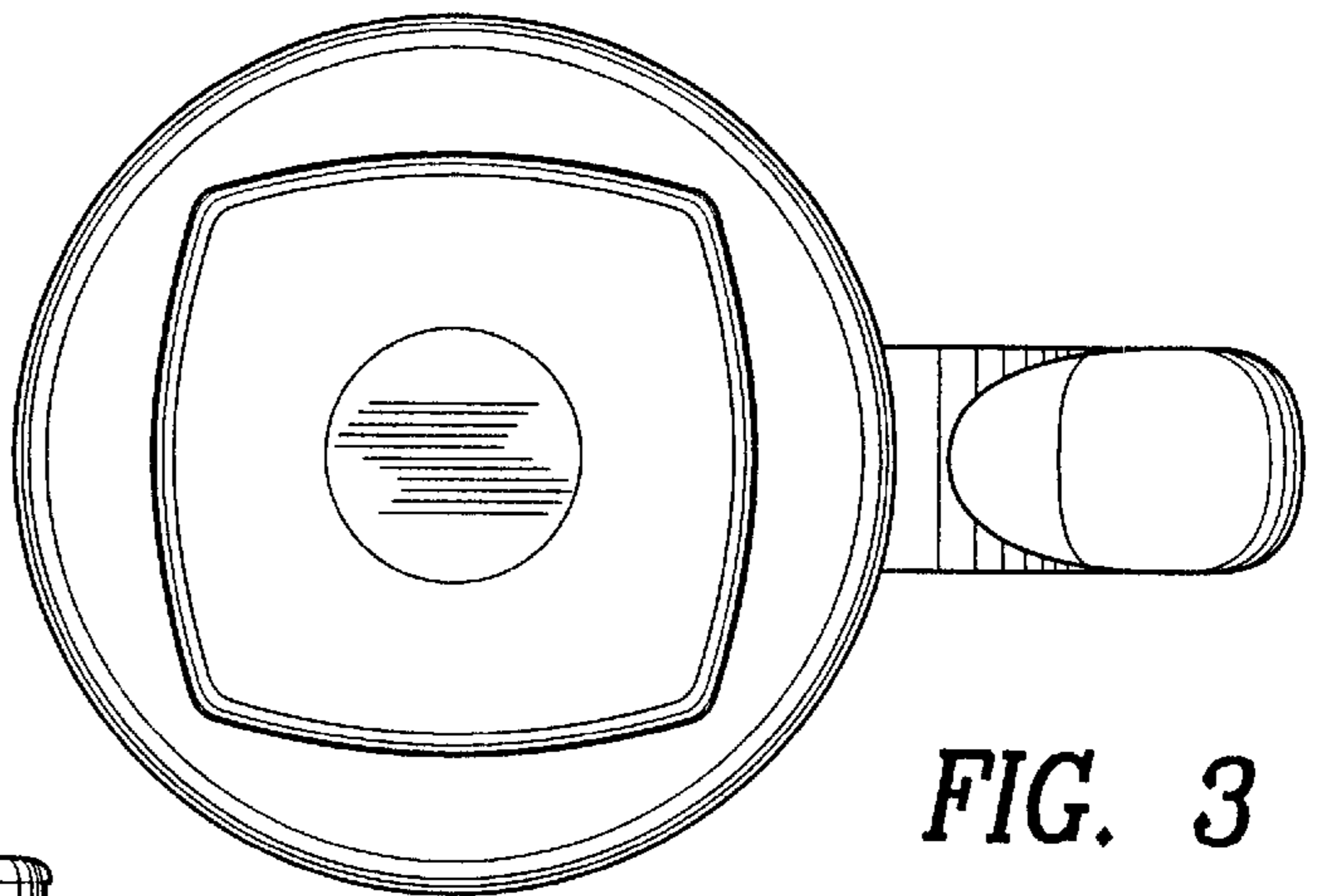


FIG. 3

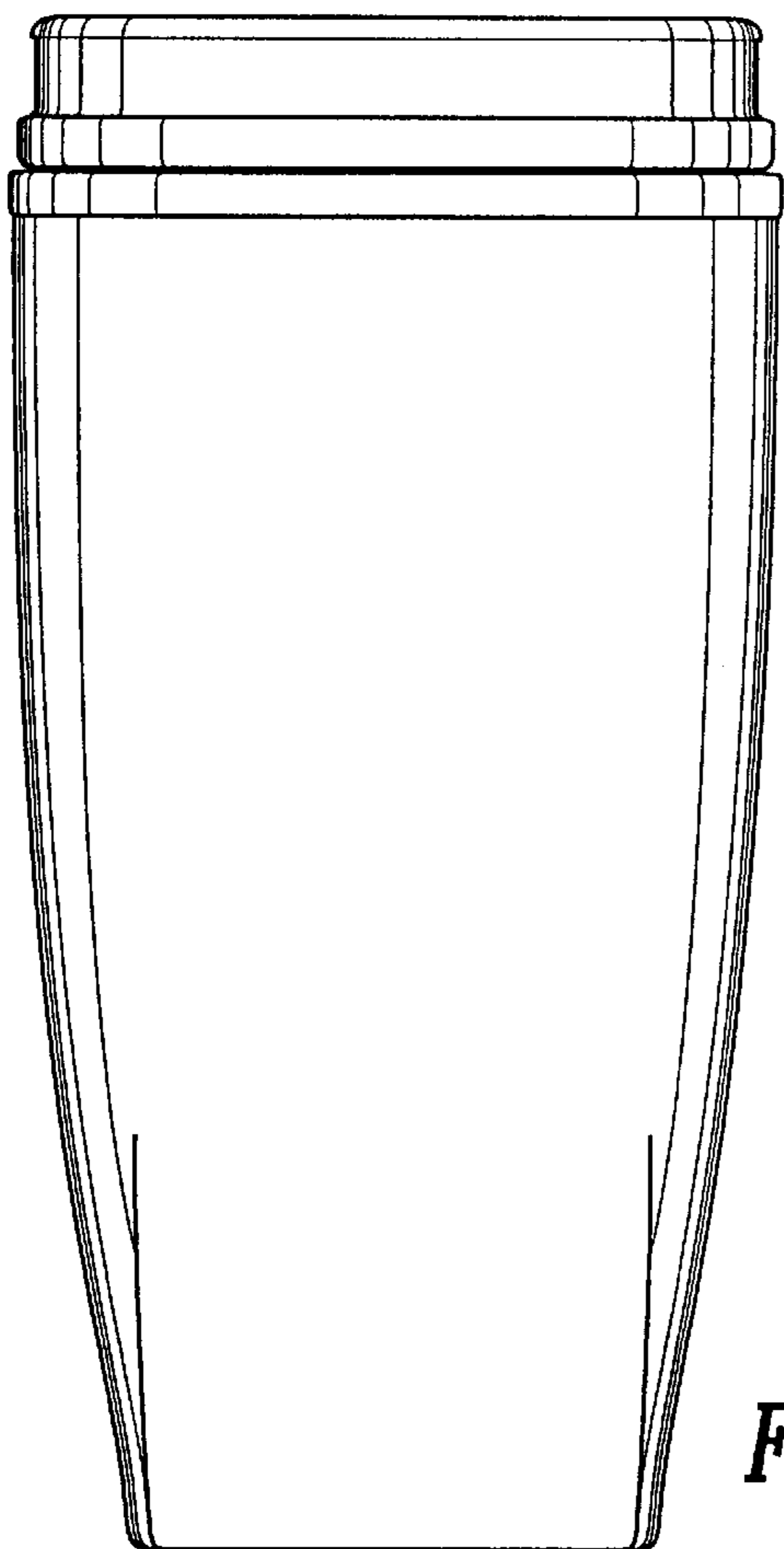


FIG. 4

FIG. 5

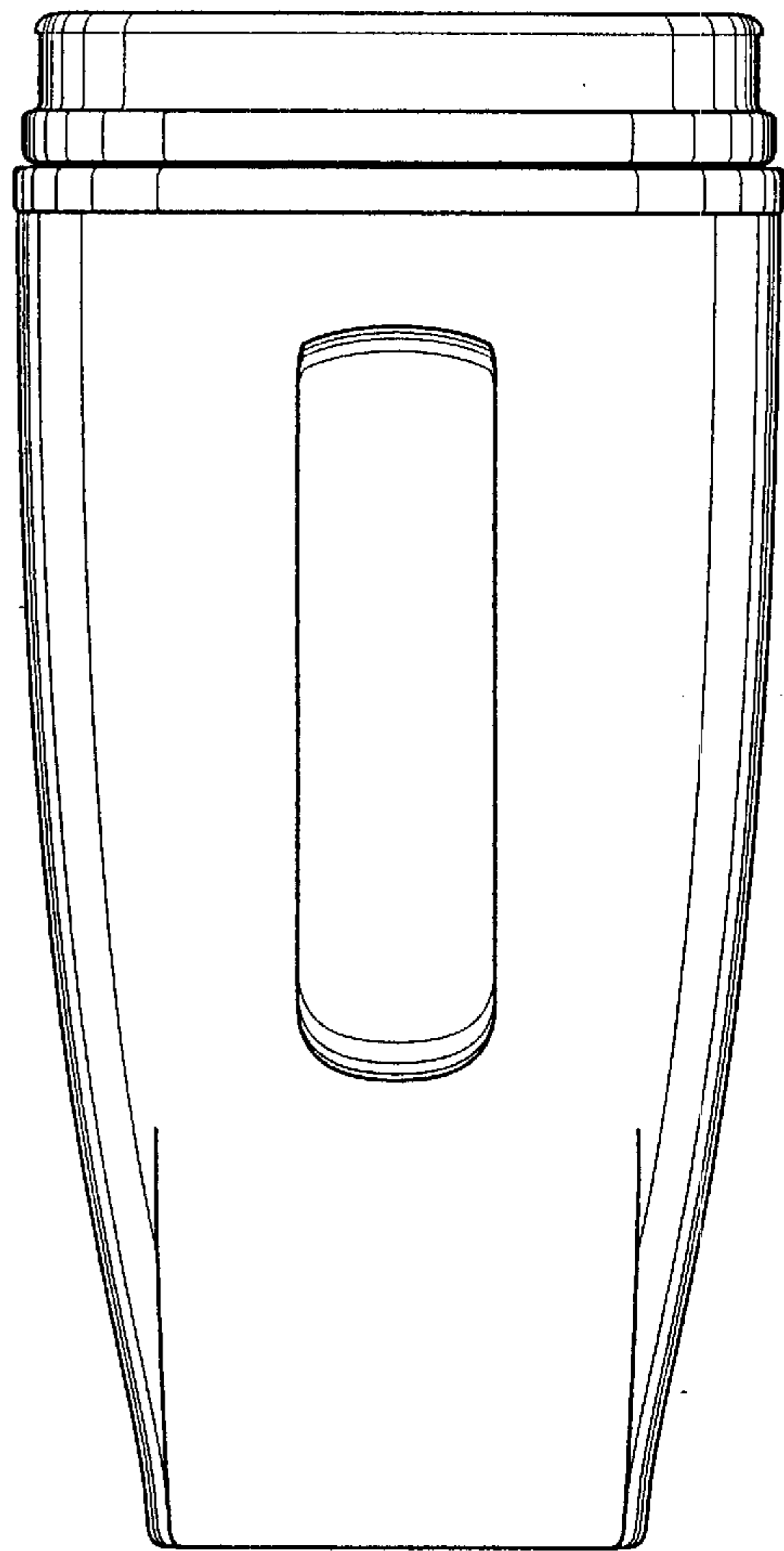


FIG. 6



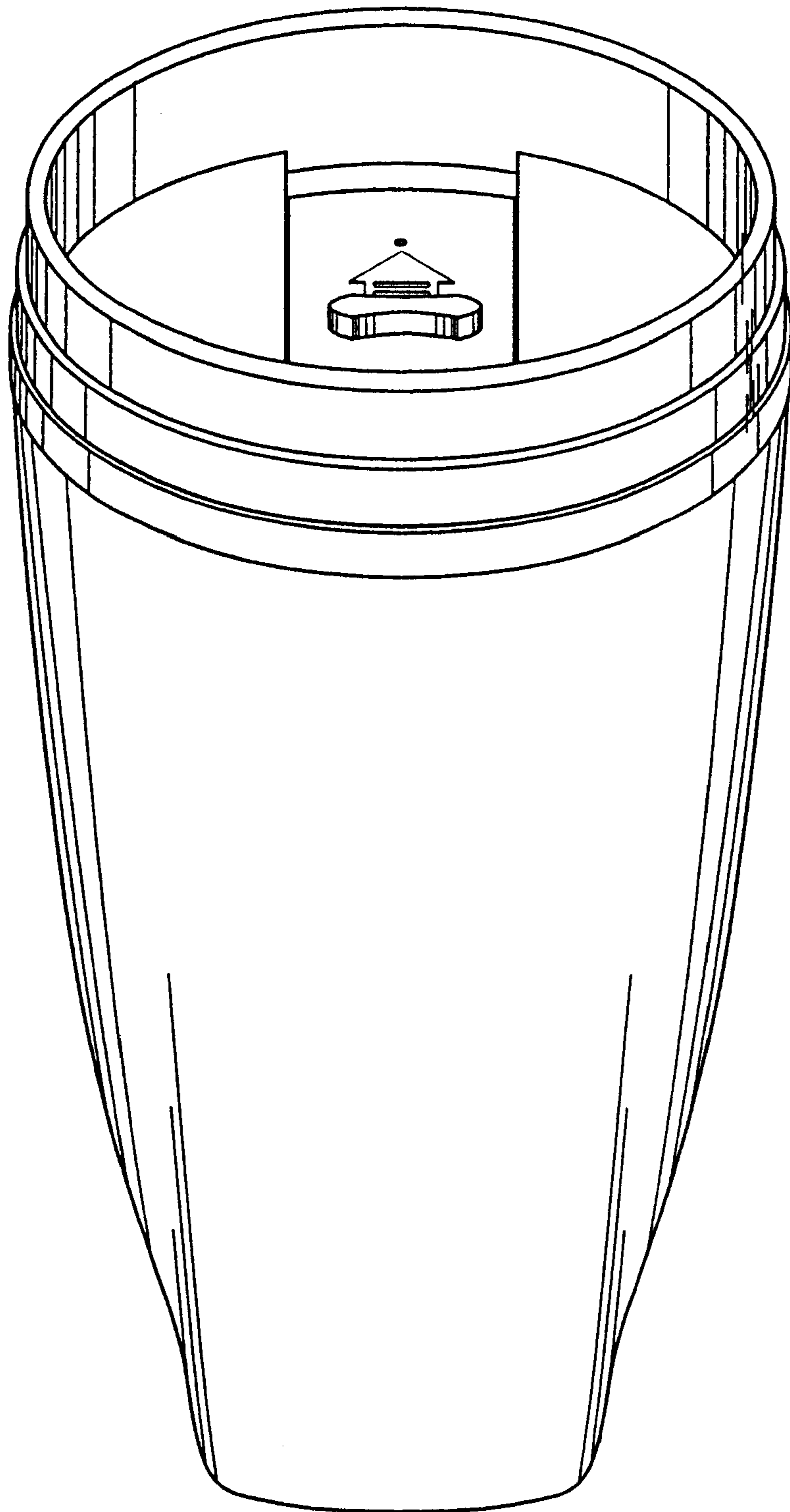


FIG. 7

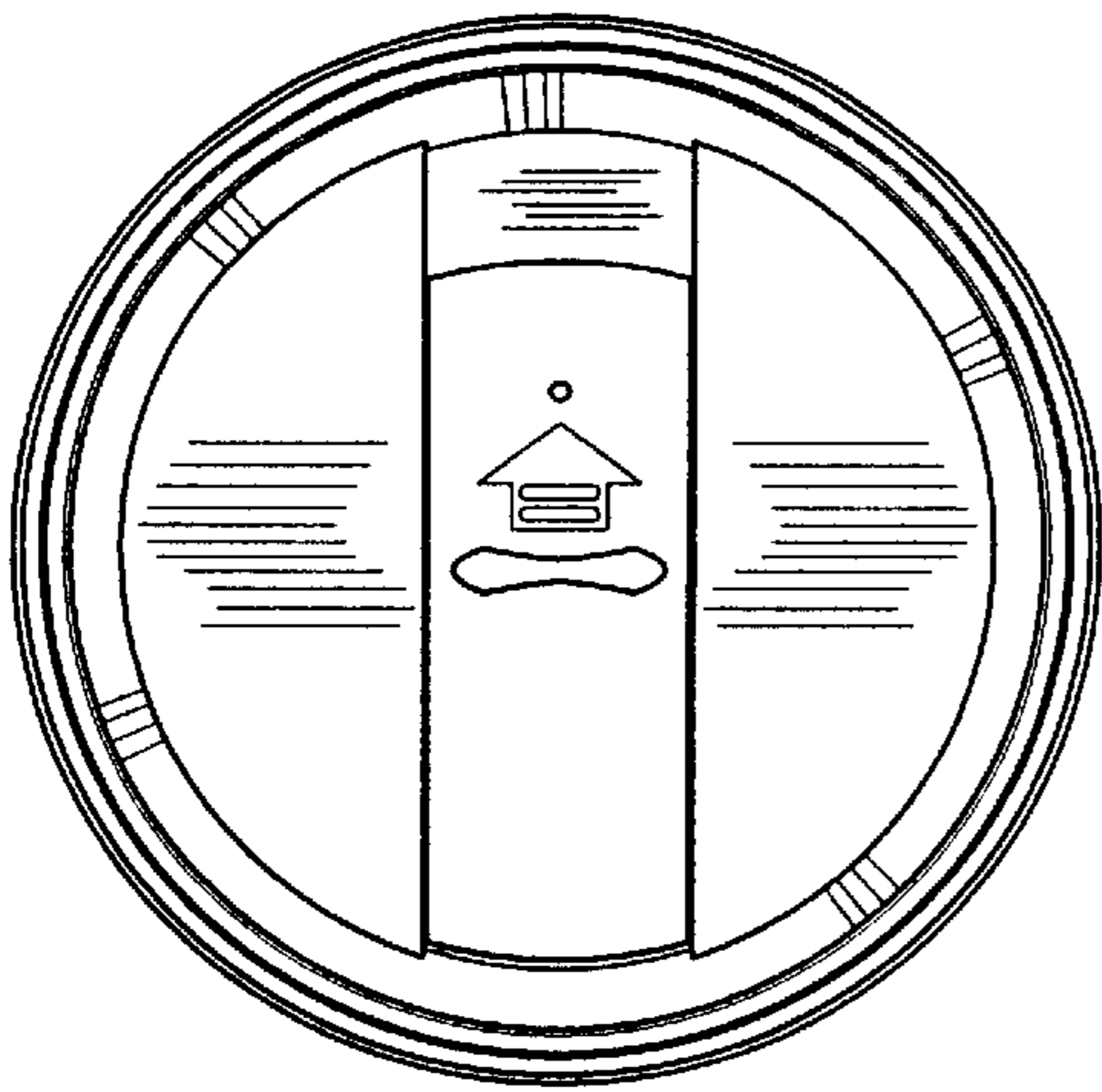


FIG. 8

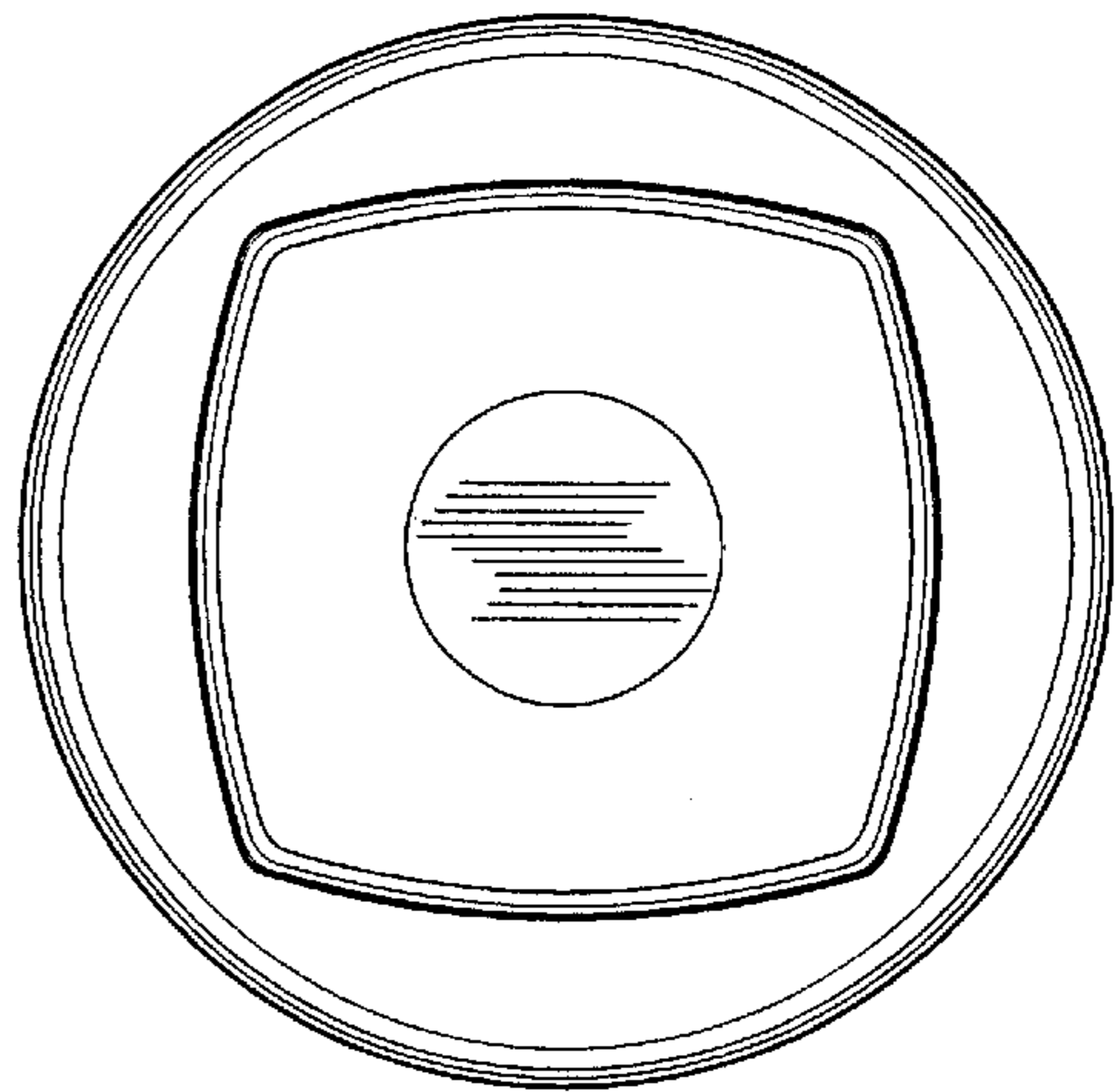


FIG. 9

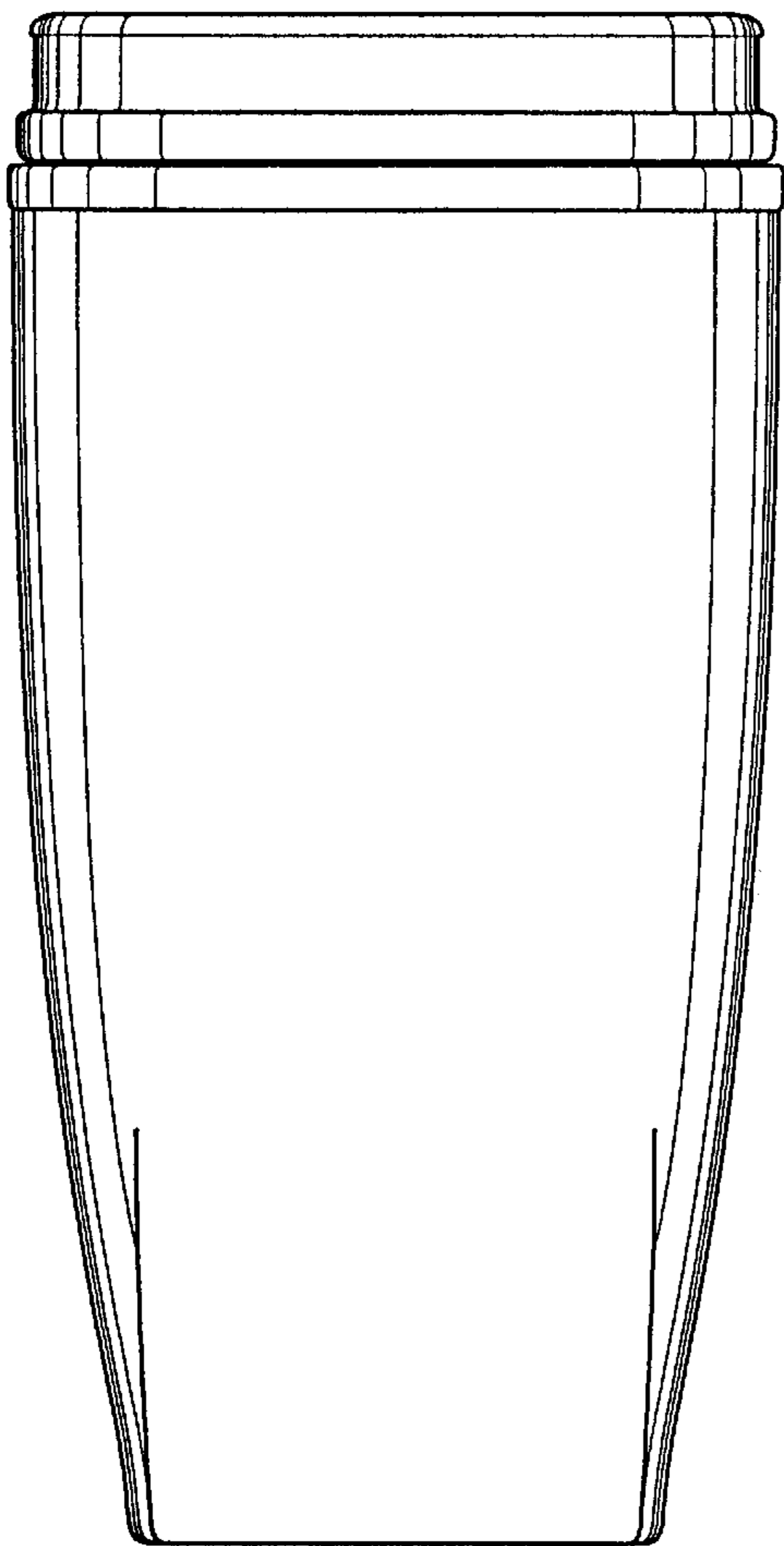


FIG. 10

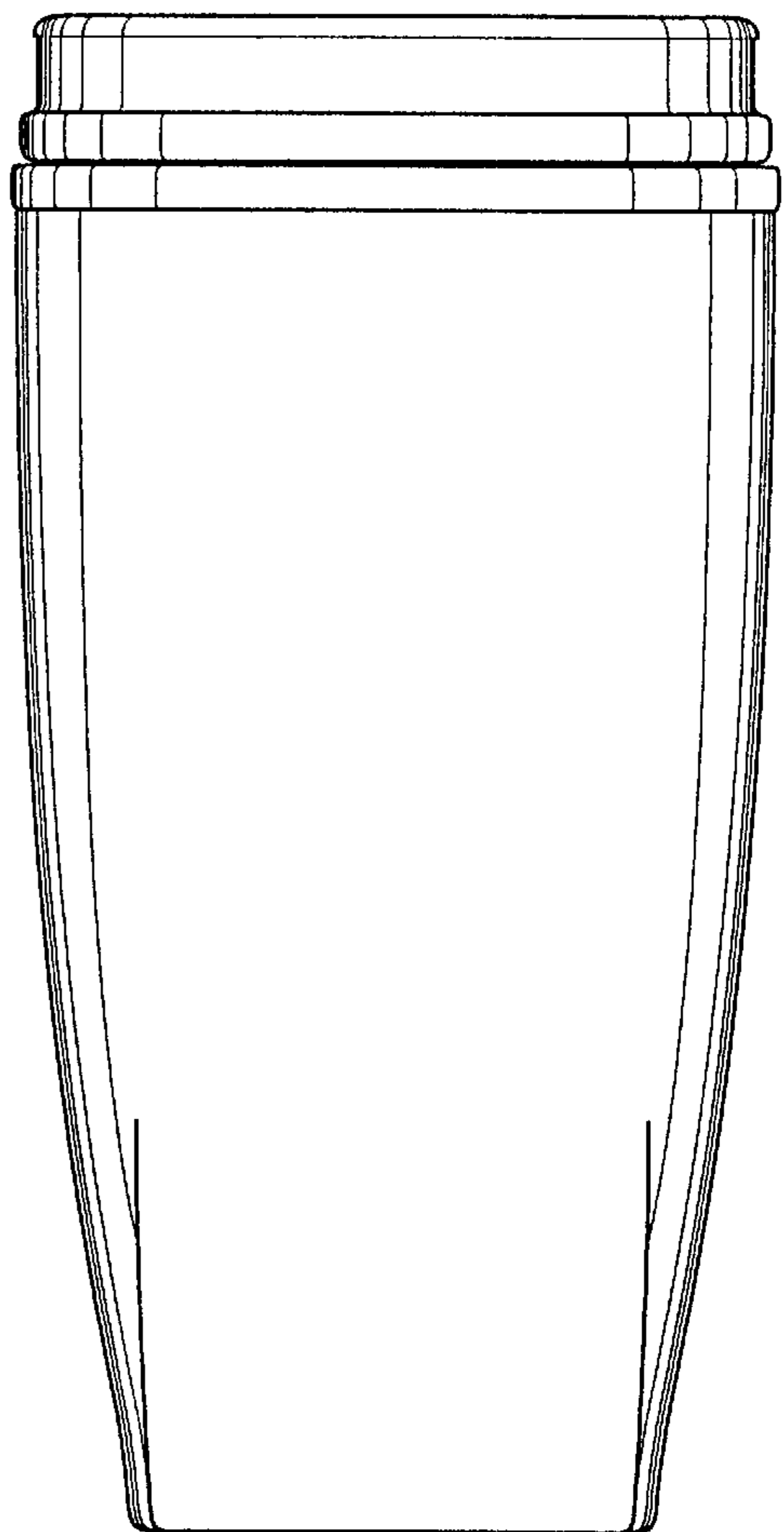


FIG. 11