



US00D462569S

(12) **United States Design Patent**  
**Chin**

(10) **Patent No.:** **US D462,569 S**

(45) **Date of Patent:** **\*\* Sep. 10, 2002**

(54) **MILK CREAMER/MIXER WITH HOLDER**

(75) **Inventor:** **Tak Fai Chin, Kowloon (HK)**

(73) **Assignee:** **Man On Metal & Plastic Factory Limited, Kowloon (HK)**

(\*\*) **Term:** **14 Years**

(21) **Appl. No.:** **29/137,001**

(22) **Filed:** **Feb. 9, 2001**

(30) **Foreign Application Priority Data**

Sep. 7, 2000 (HK) ..... 0011225

(51) **LOC (7) Cl.** ..... **31-00**

(52) **U.S. Cl.** ..... **D7/376; D7/412**

(58) **Field of Search** ..... D7/376-386, 412;  
206/214, 320, 701; 366/129, 130, 197,  
199, 204, 205, 314, 343, 344, 249; 248/309.2

(56) **References Cited**

**U.S. PATENT DOCUMENTS**

D278,506 S \* 4/1985 Kafka ..... D7/376  
4,575,255 A \* 3/1986 Kafka ..... 366/129  
D287,810 S \* 1/1987 Osit ..... D7/412

D291,767 S \* 9/1987 Osit ..... D7/379  
D390,415 S \* 2/1998 Hippen et al. .... D7/412  
5,979,850 A \* 11/1999 Hippen et al. .... 248/309.2

\* cited by examiner

*Primary Examiner*—Caron D. Veynar

(74) *Attorney, Agent, or Firm*—Salter & Michaelson

(57) **CLAIM**

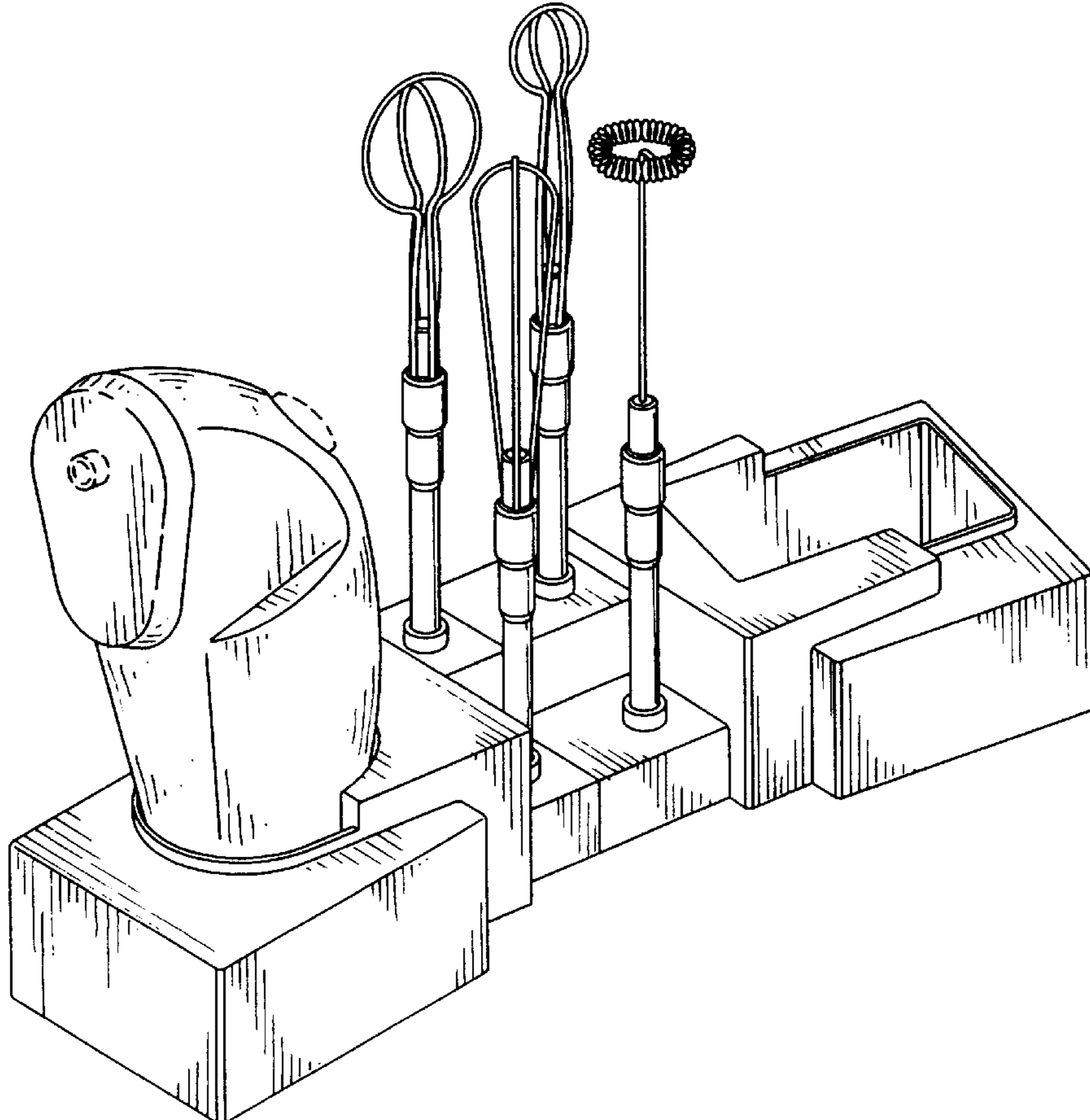
The ornamental design for a milk creamer/mixer with holder, as shown and described.

**DESCRIPTION**

FIG. 1 is a perspective view of a milk creamer/mixer with holder showing my new design;  
FIG. 2 is a top plan view thereof;  
FIG. 3 is a bottom plan view thereof;  
FIG. 4 is a front elevational view thereof;  
FIG. 5 is a rear elevational view thereof;  
FIG. 6 is a left side view thereof;  
FIG. 7 is a right side view thereof; and,  
FIG. 8 is an exploded view thereof.

The portions shown in broken lines are included for illustrative purposes only and form no part of the claimed design.

**1 Claim, 6 Drawing Sheets**



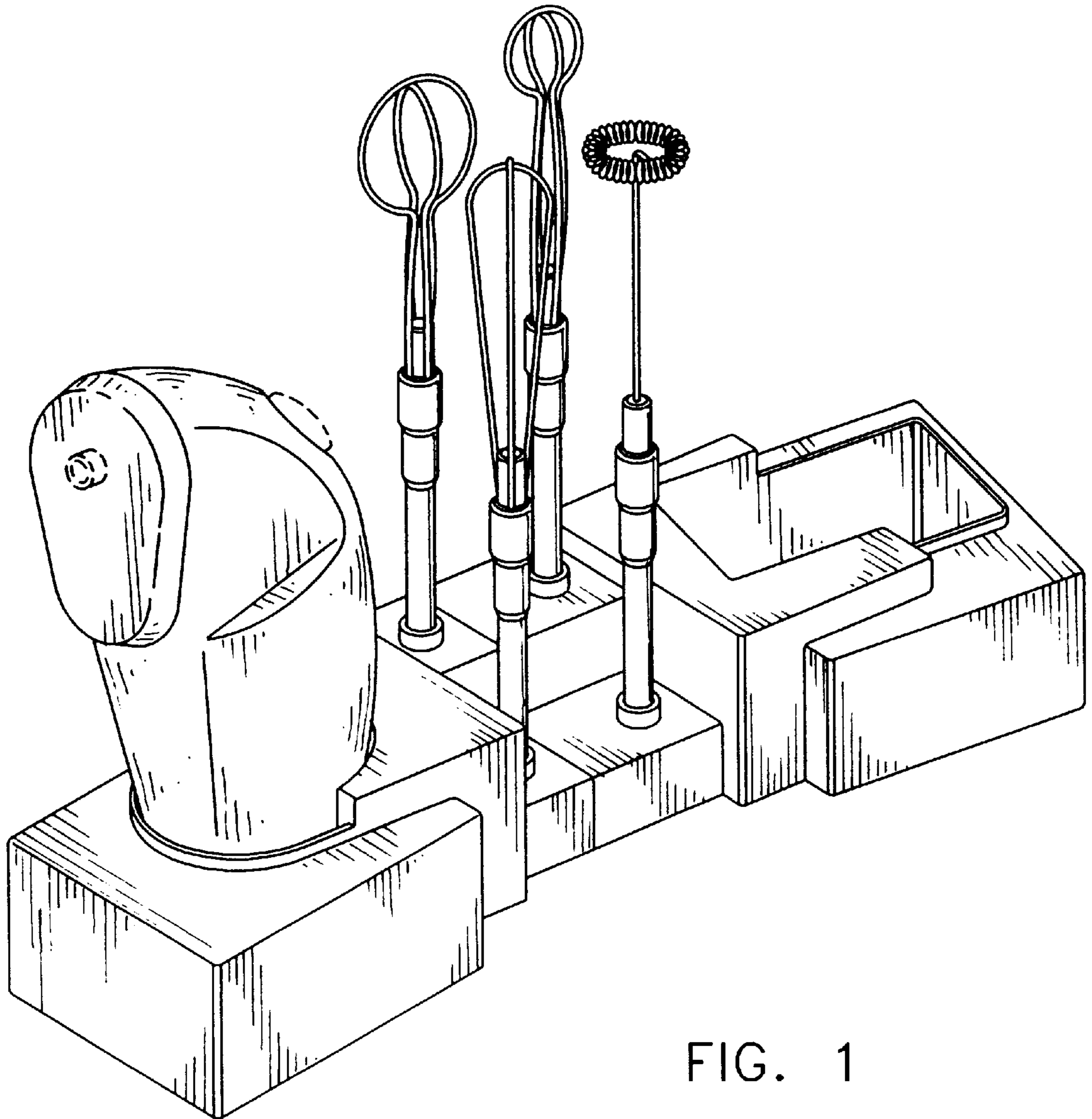


FIG. 1

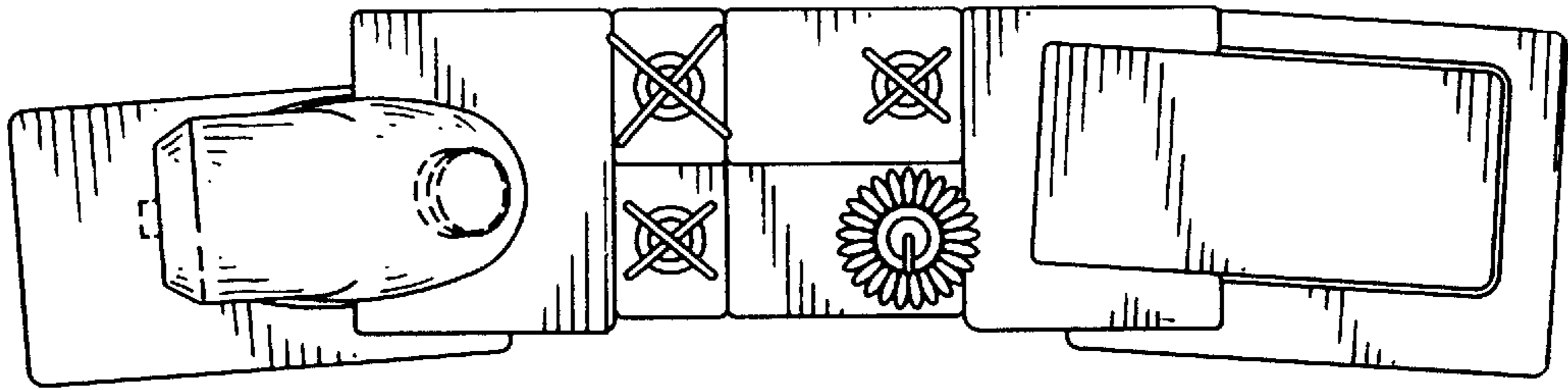


FIG. 2

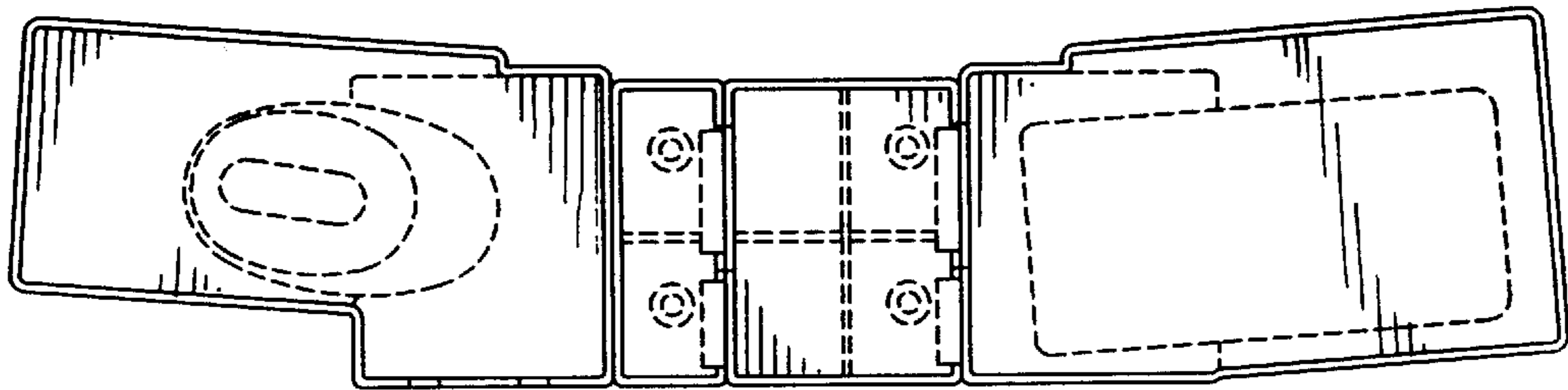


FIG. 3

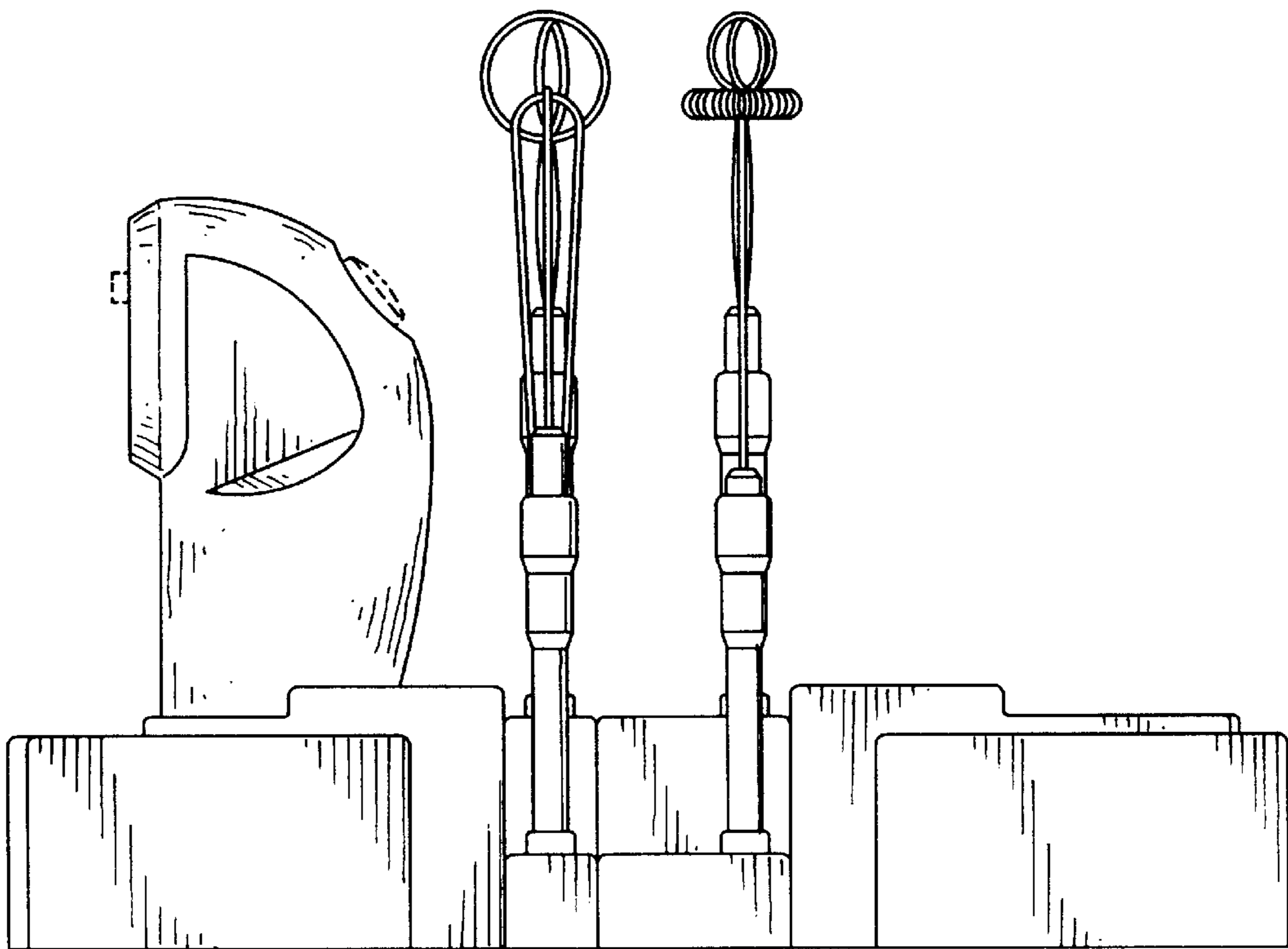


FIG. 4

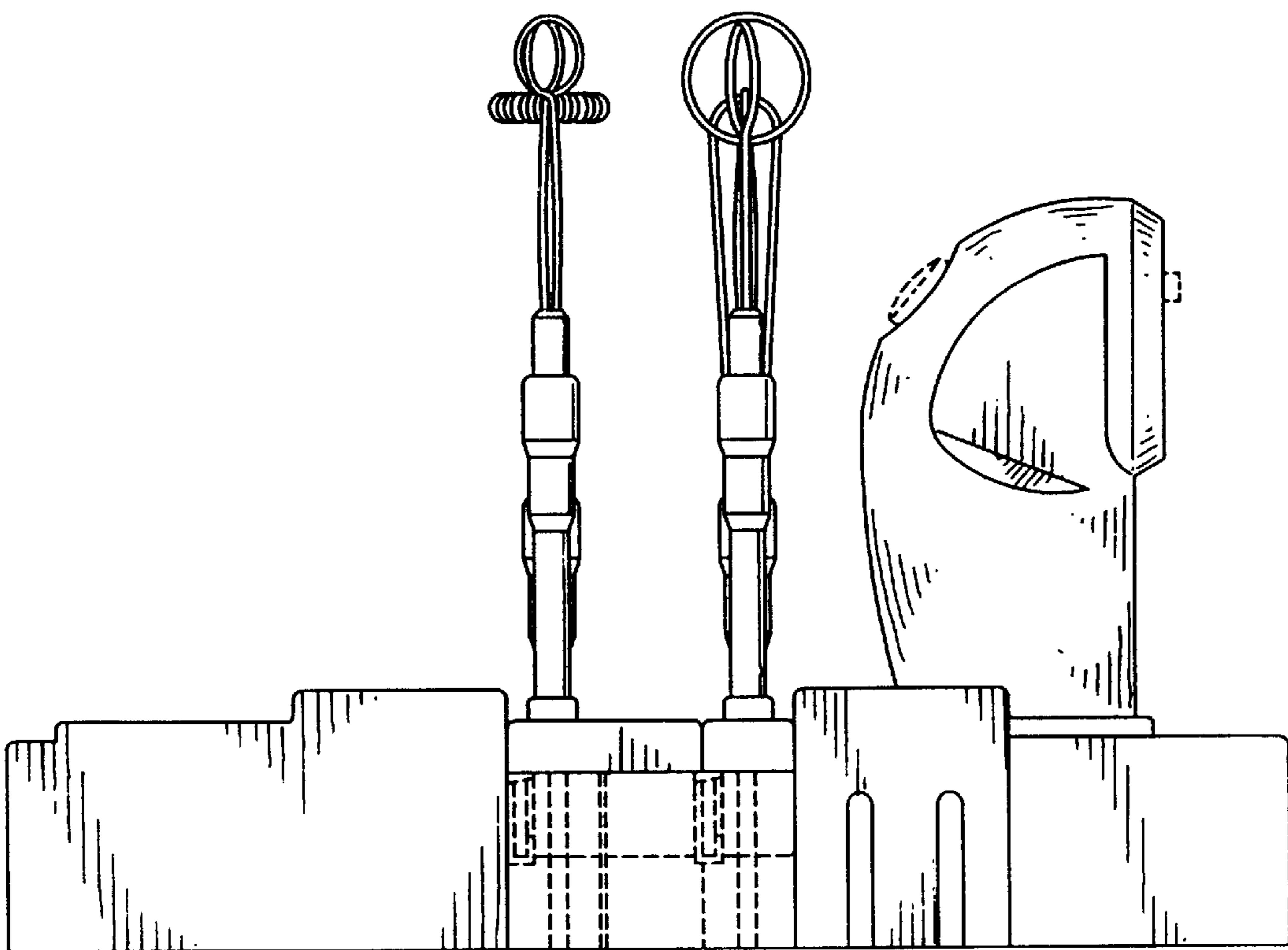


FIG. 5

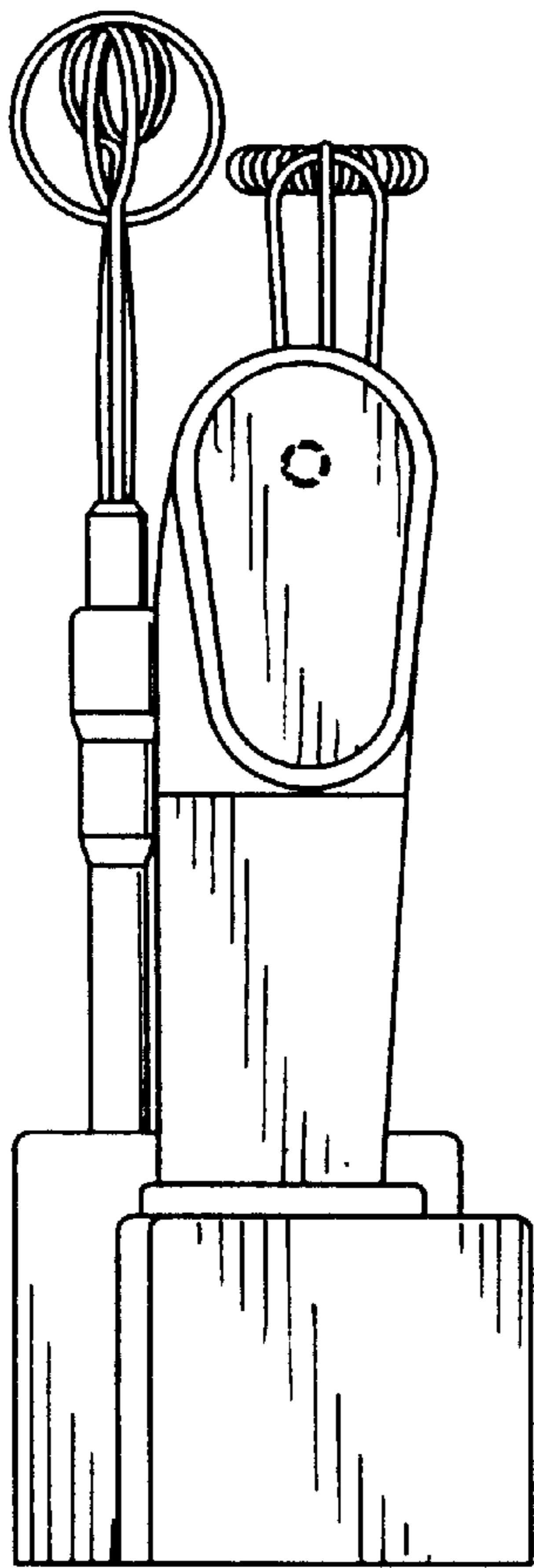


FIG. 6

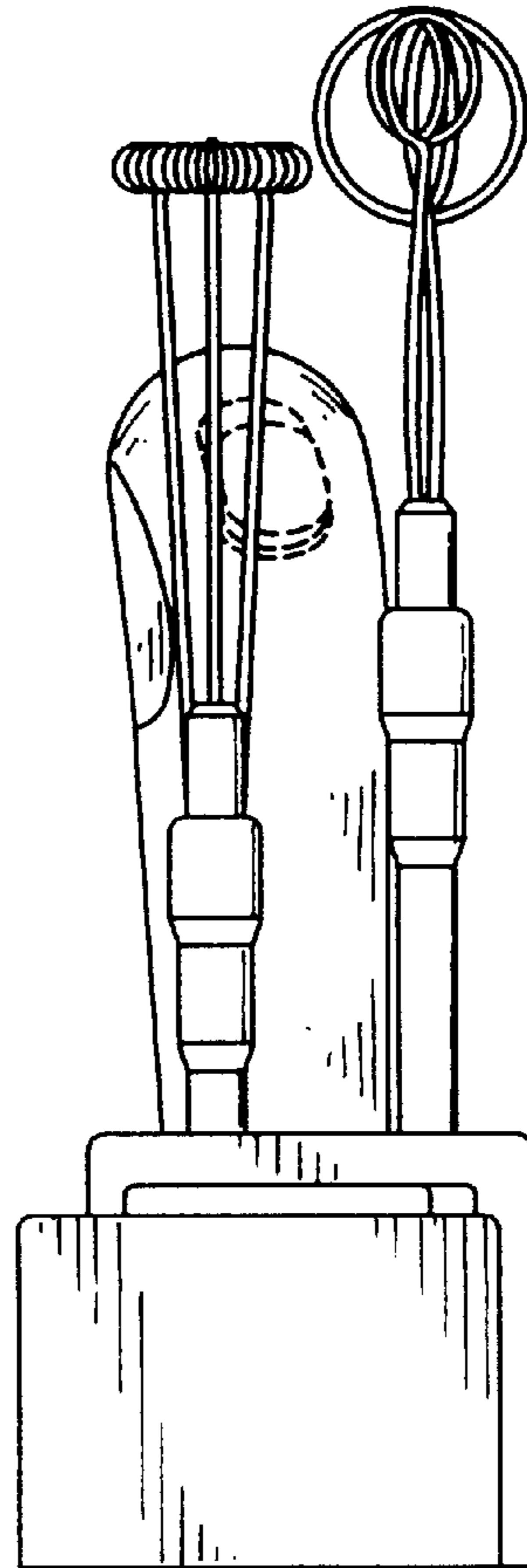


FIG. 7



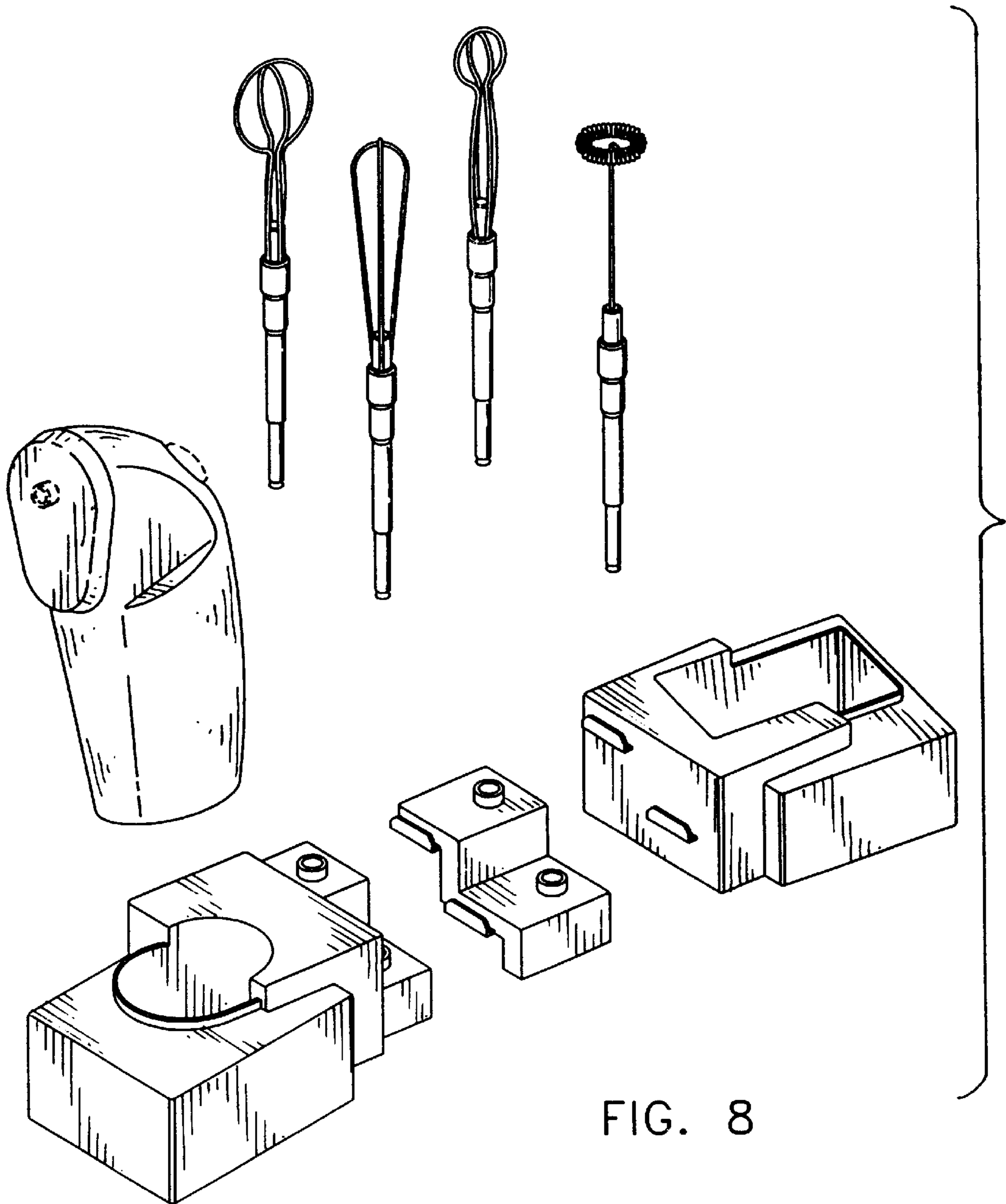


FIG. 8