



US00D462566S

(12) **United States Design Patent**
Wu

(10) **Patent No.:** **US D462,566 S**

(45) **Date of Patent:** **** Sep. 10, 2002**

(54) **GRILLER**

(75) Inventor: **Tsan-Kuen Wu**, Tainan Hsien (TW)

(73) Assignee: **Tsann Kuen USA Inc.**, Pasadena, CA (US)

(**) Term: **14 Years**

(21) Appl. No.: **29/150,535**

(22) Filed: **Nov. 14, 2001**

(51) **LOC (7) Cl.** **07-02**

(52) **U.S. Cl.** **D7/352**

(58) **Field of Search** D7/323, 337, 350,
D7/352, 353, 362; 99/372-379; 219/524,
525

(56) **References Cited**

U.S. PATENT DOCUMENTS

D367,993 S * 3/1996 McClean D7/352

D413,760 S * 9/1999 Tsai et al. D7/352
D446,074 S * 8/2001 Barker D7/352

* cited by examiner

Primary Examiner—Caron D. Veynar

(74) *Attorney, Agent, or Firm*—Jenkins & Gilchrist, P.C.

(57) **CLAIM**

The ornamental design for a griller, as shown and described.

DESCRIPTION

FIG. 1 is a perspective view of a griller showing my new design;

FIG. 2 is a front elevational view thereof;

FIG. 3 is a rear elevational view thereof;

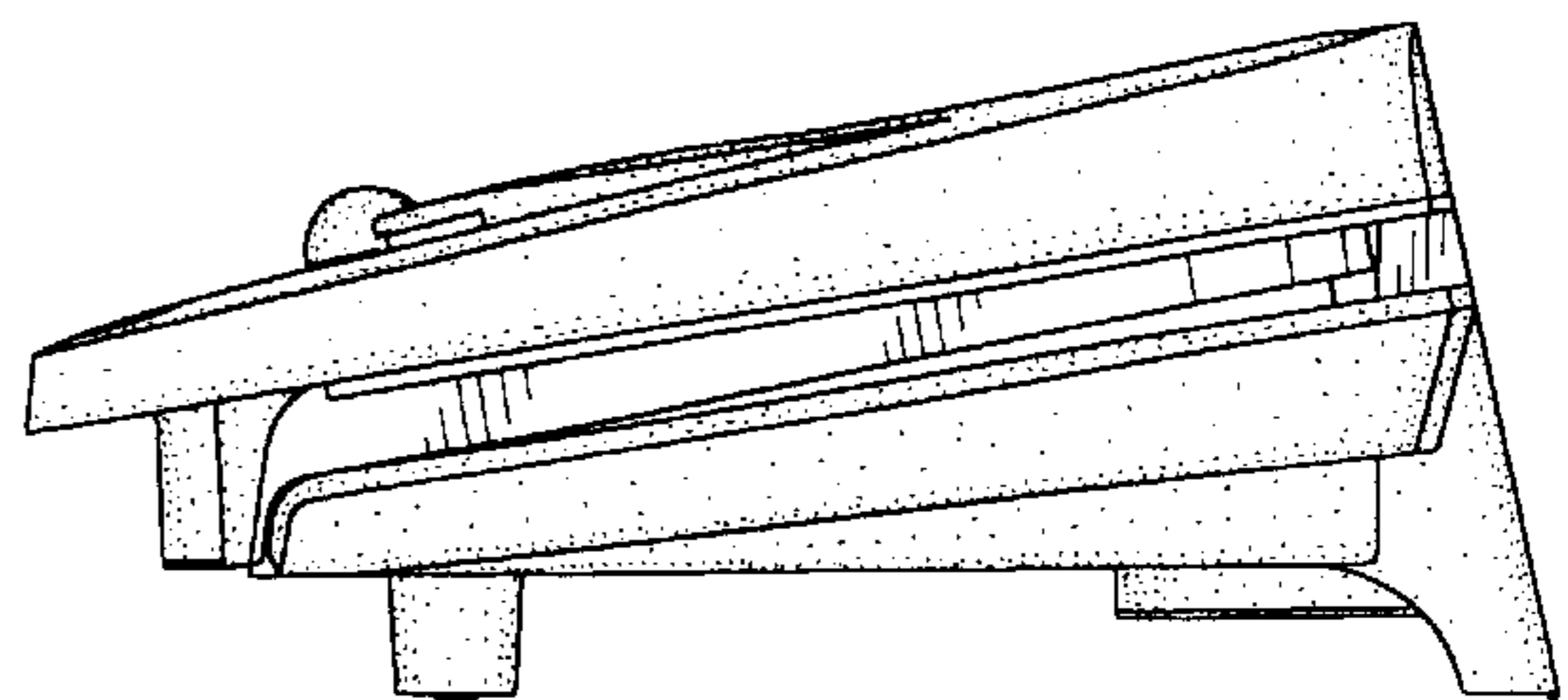
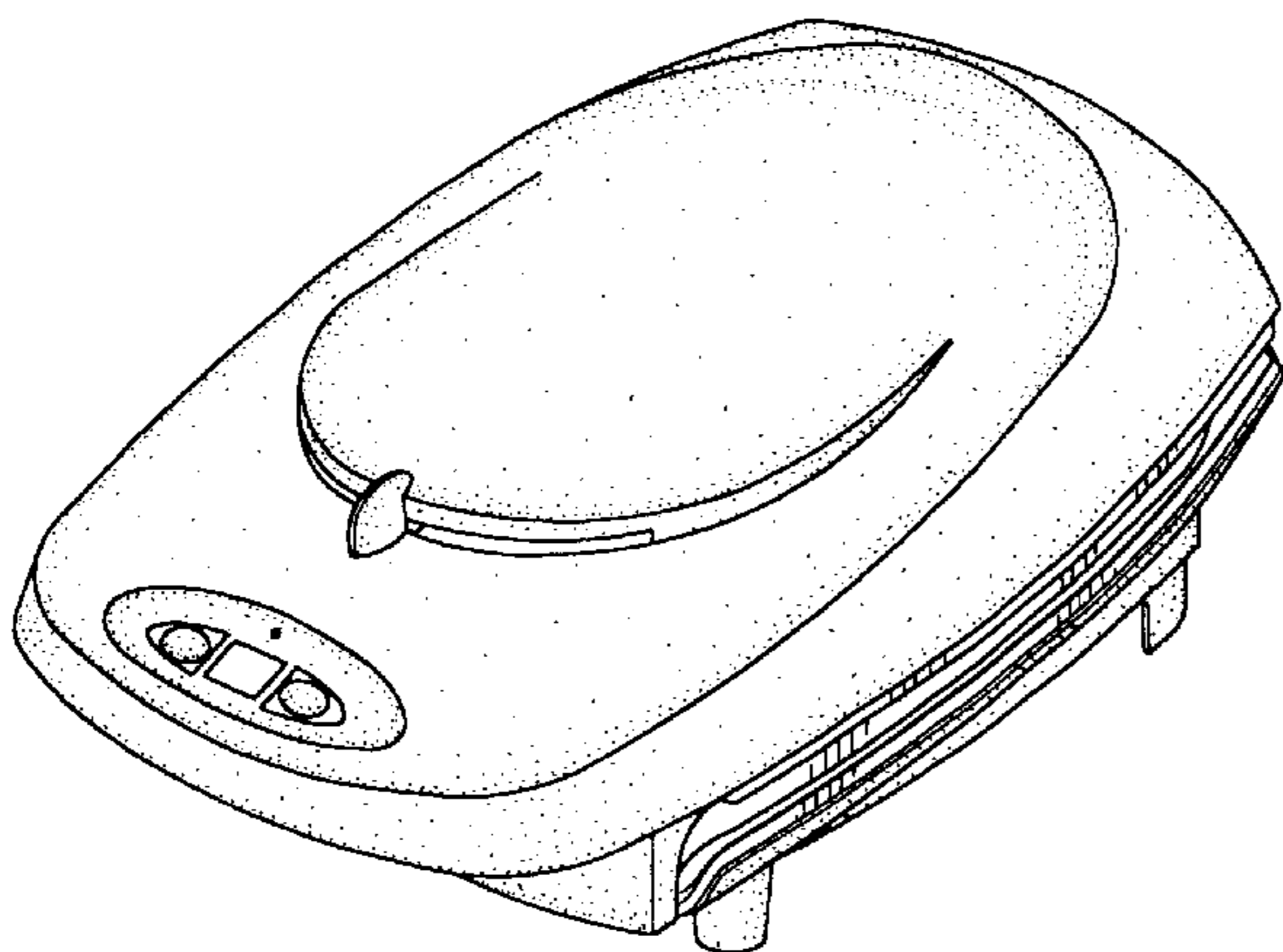
FIG. 4 is a left side elevational view thereof;

FIG. 5 is a right side elevational view thereof;

FIG. 6 is a top plan view thereof; and,

FIG. 7 is a bottom plan view thereof.

1 Claim, 5 Drawing Sheets



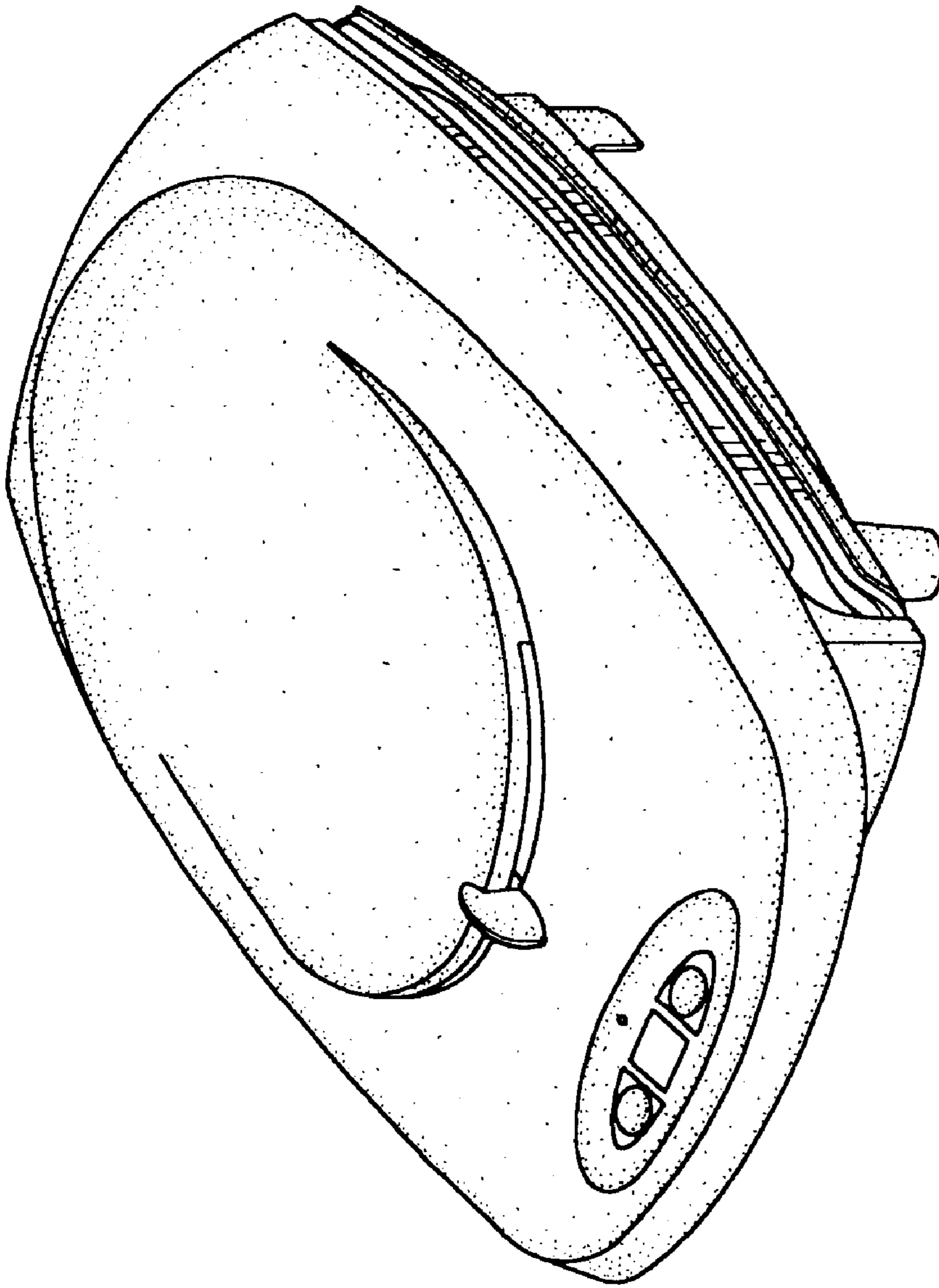


FIG. 1

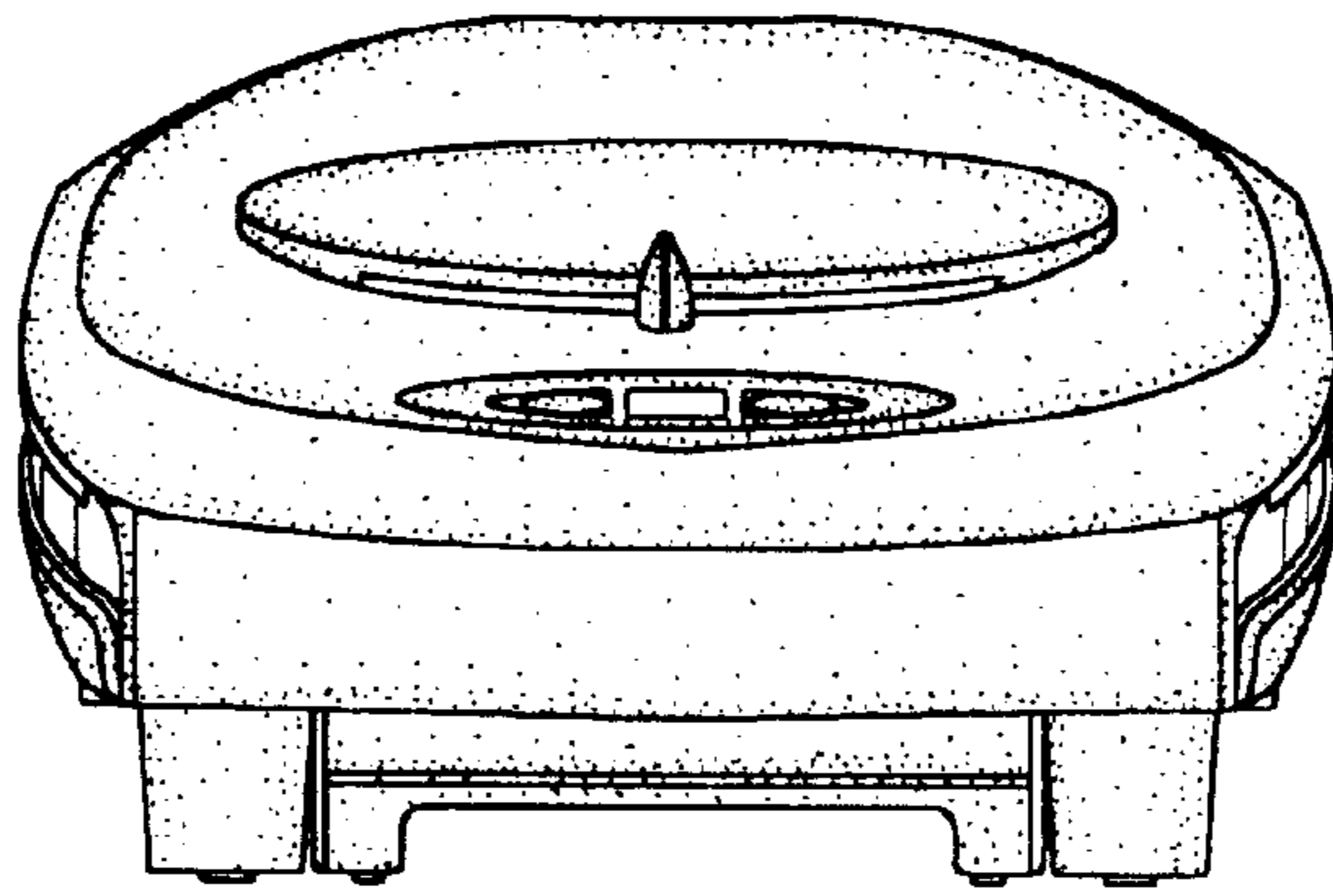


FIG. 2

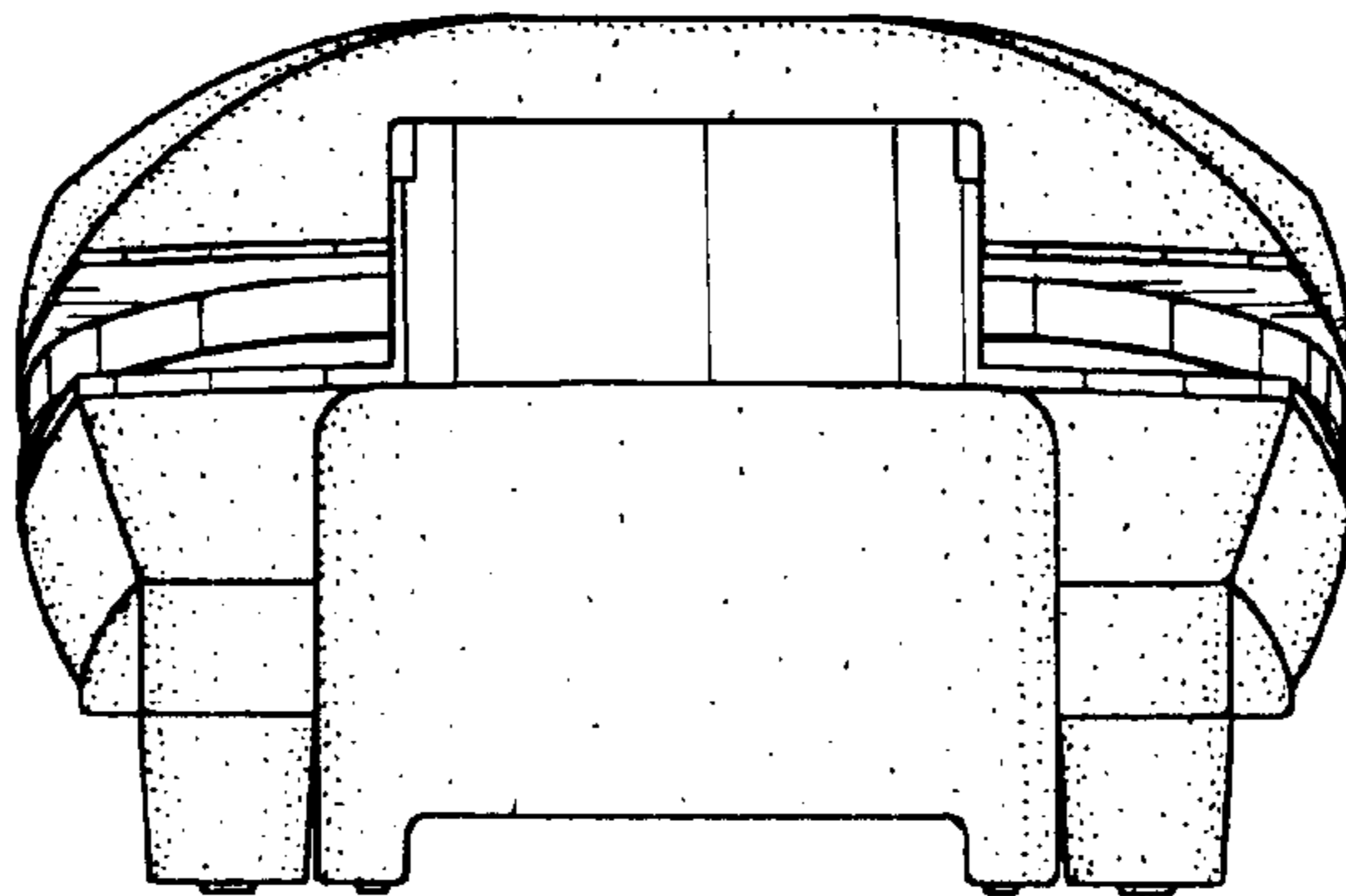


FIG. 3

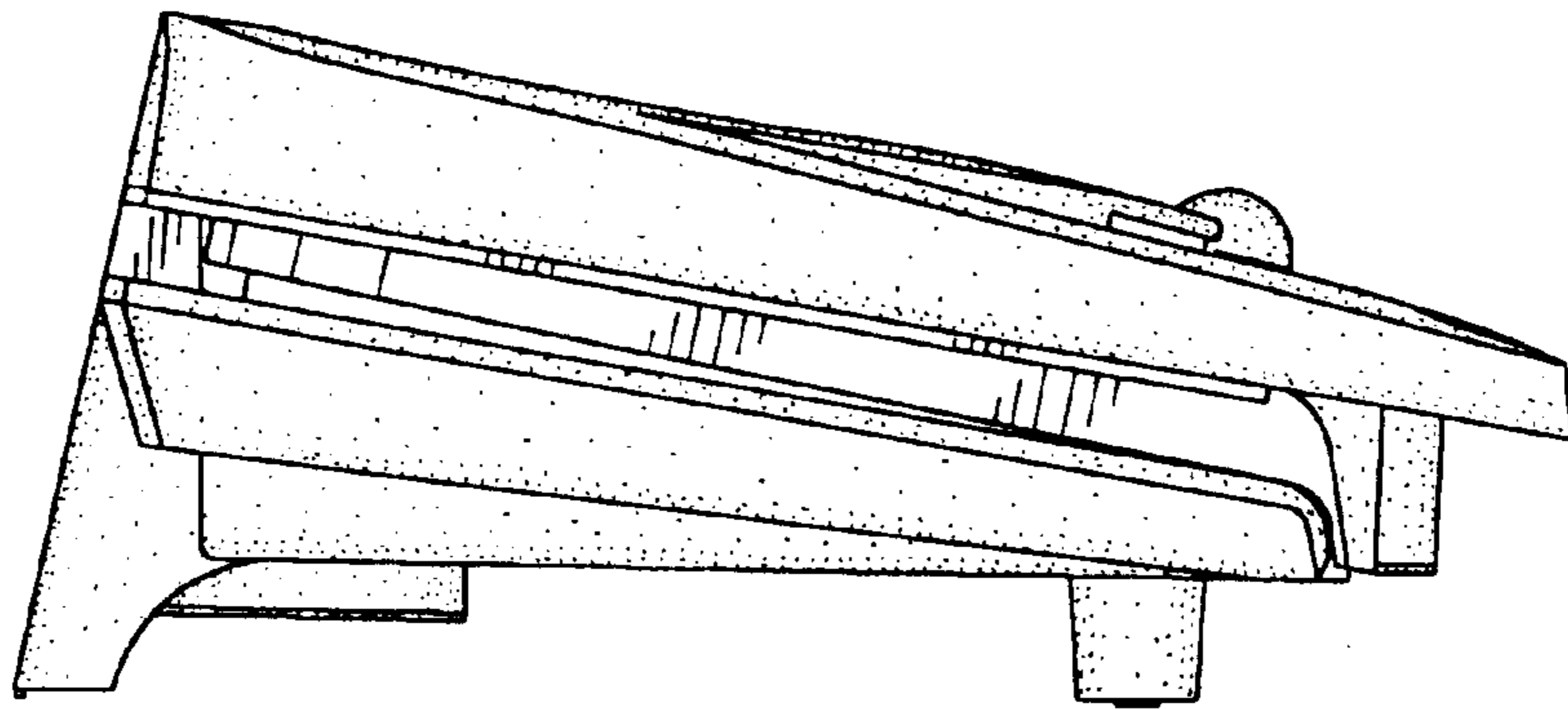


FIG. 4

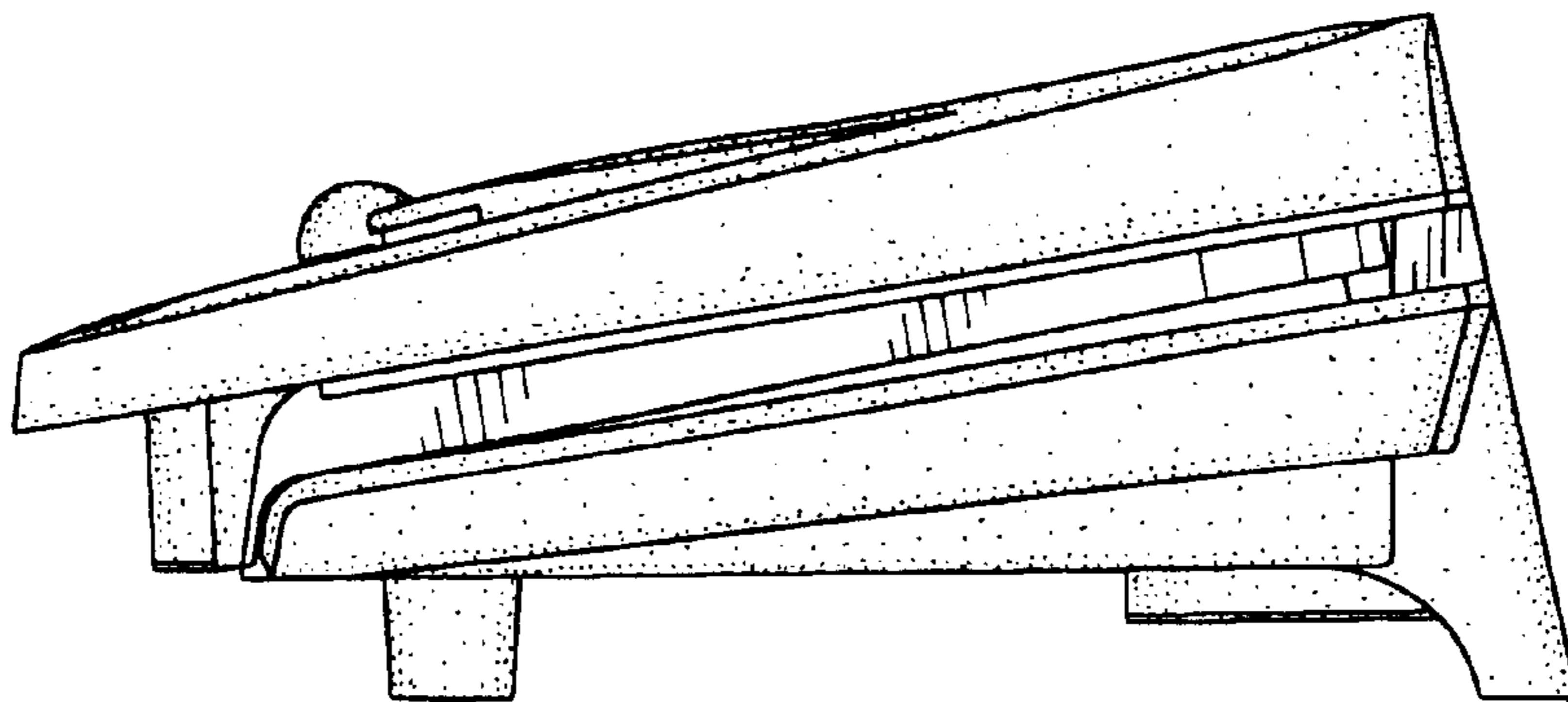


FIG. 5

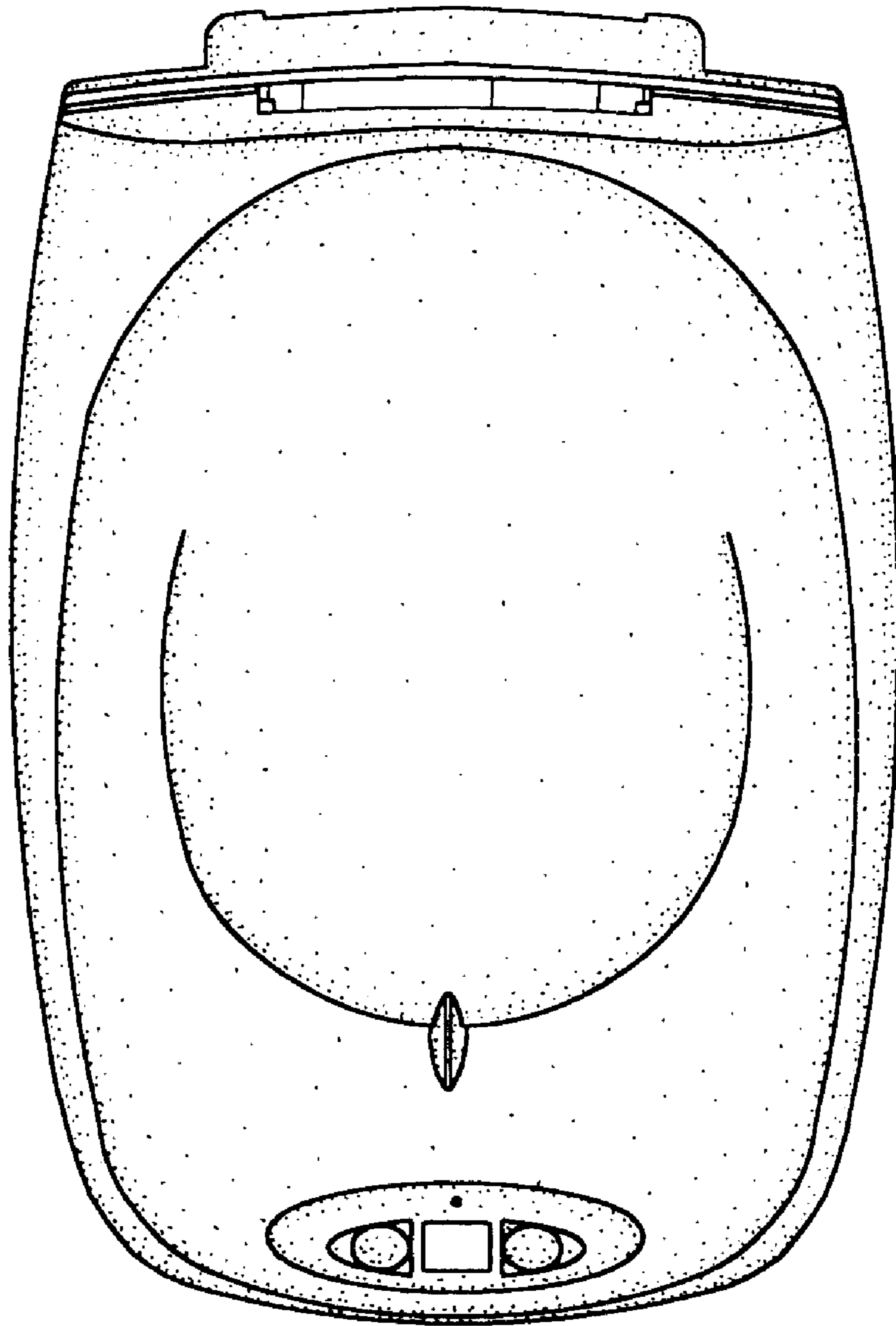


FIG. 6

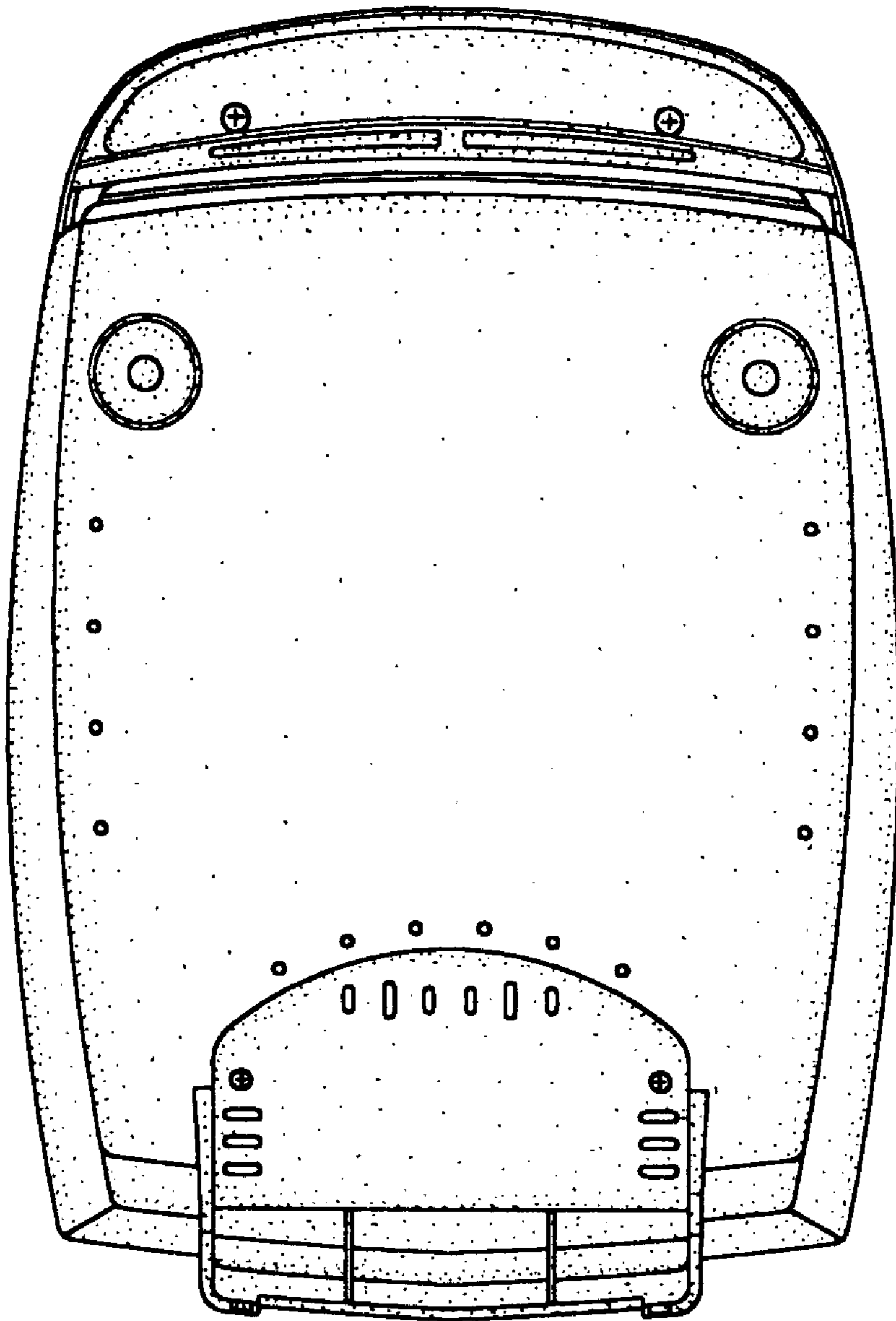


FIG. 7