



US00D462564S

(12) **United States Design Patent**
Brake et al.

(10) **Patent No.:** **US D462,564 S**

(45) **Date of Patent:** **** Sep. 10, 2002**

(54) **GAS GRILL**

* cited by examiner

(75) Inventors: **George Brake; Shawn Minshall**, both of Dickson, TN (US)

Primary Examiner—Ruth McInroy
(74) *Attorney, Agent, or Firm*—Waddey & Patterson; I. C. Waddey, Jr.

(73) Assignee: **Fiesta Gas Grills, LLC**, Dickson, TN (US)

(57) **CLAIM**

(**) Term: **14 Years**

What is claimed is the ornamental design for a gas grill, as shown and described.

(21) Appl. No.: **29/145,110**

DESCRIPTION

(22) Filed: **Jul. 16, 2001**

FIG. 1 is a front perspective view of a gas grill showing our new design;

(51) **LOC (7) Cl.** **07-02**

FIG. 2 is a front elevation view thereof;

(52) **U.S. Cl.** **D7/334**

FIG. 3 is a back elevation view thereof, the details shown in broken lines are for illustrative purposes only and form no part of the claimed design;

(58) **Field of Search** D7/332-337, 402-405; 126/25 R, 25 A, 25 AA, 29-30, 33, 38, 41 R; 99/421 H, 419, 427, 449

FIG. 4 is a right side elevation view thereof;

(56) **References Cited**

U.S. PATENT DOCUMENTS

D406,488 S	*	3/1999	Bates et al.	D7/334
D406,489 S	*	3/1999	Williams et al.	D7/334
D416,164 S	*	11/1999	Wagner et al.	D7/334
D426,101 S	*	6/2000	Pai	D7/334
D426,741 S	*	6/2000	Pai	D7/334
D437,177 S	*	2/2001	Giebel et al.	D7/334

FIG. 5 is a left side elevational view thereof;

FIG. 6 is a top plan view thereof; and,

FIG. 7 is a bottom plan view thereof.

The portions of the cart not shown in the drawings (behind the broken lines) or described in the specification form no part of the claimed design.

1 Claim, 5 Drawing Sheets

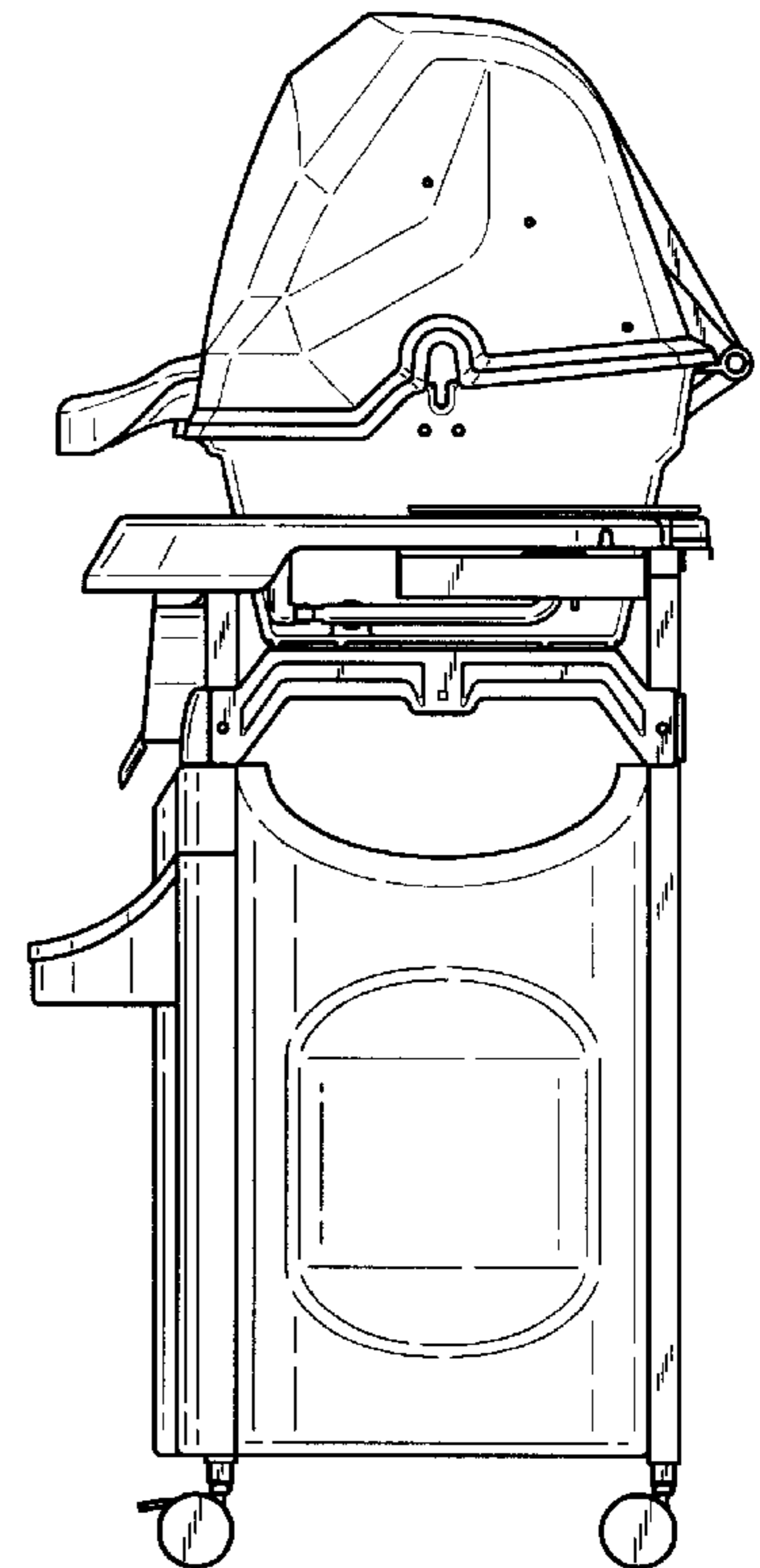
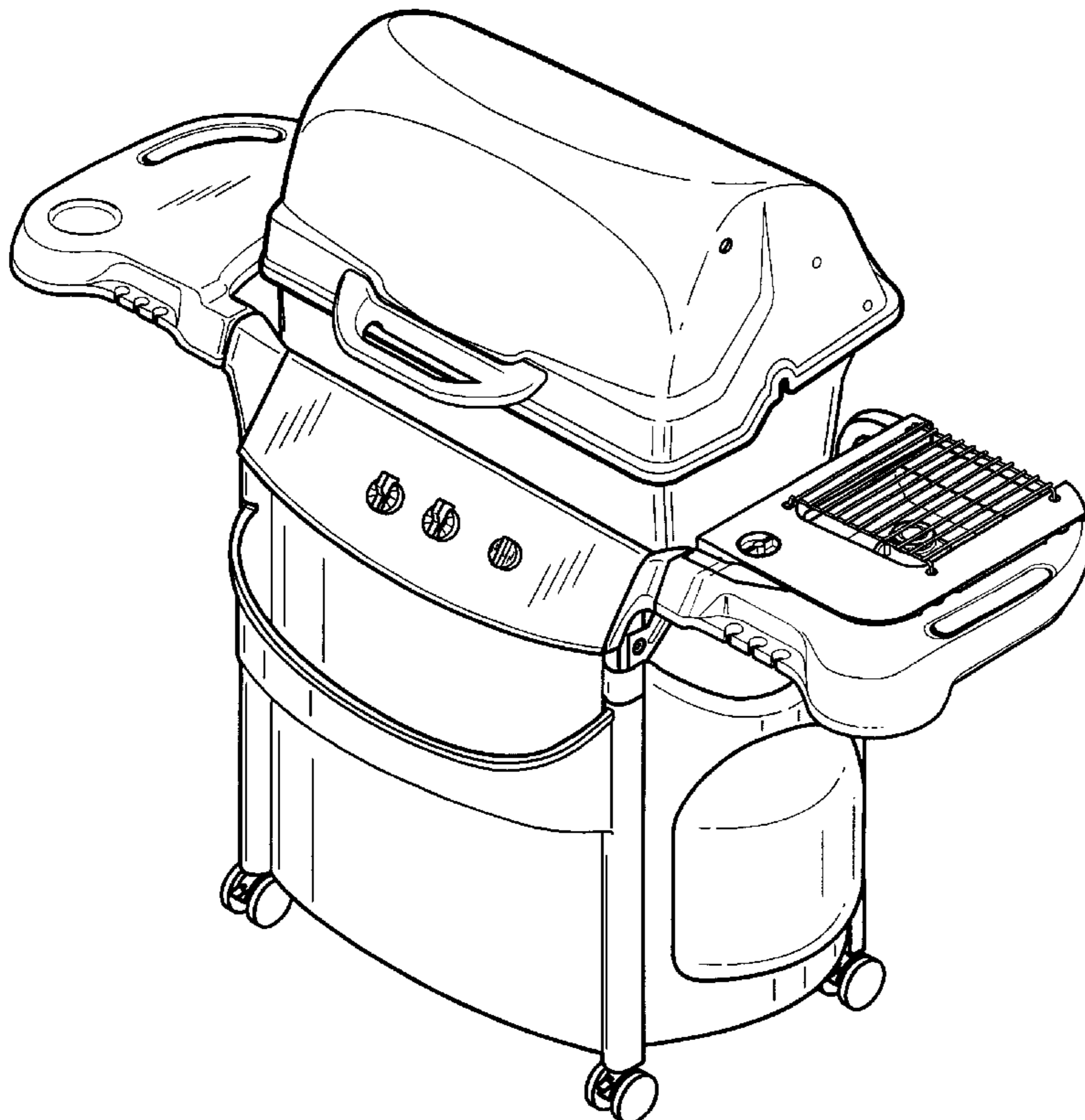




FIG. 1

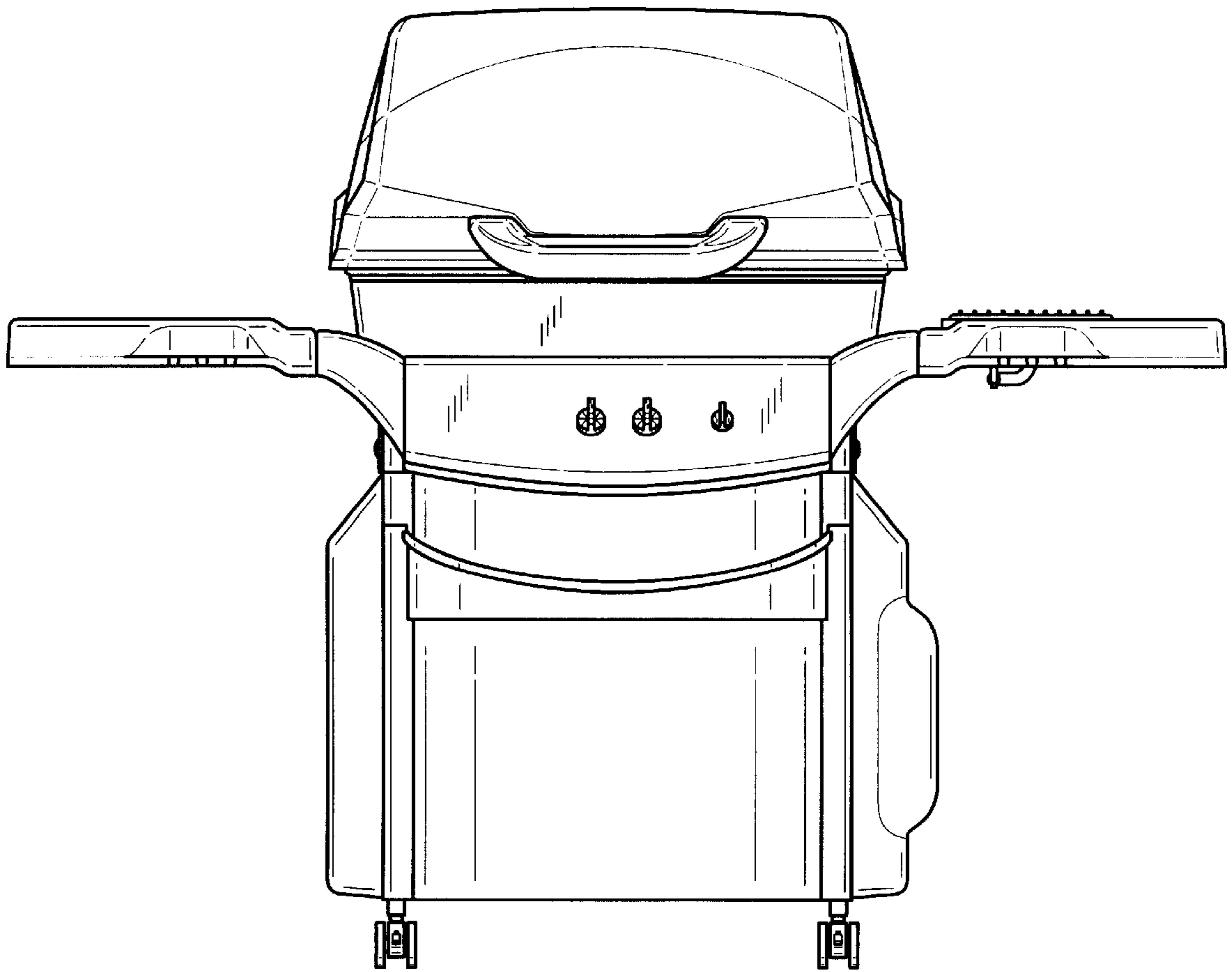


FIG. 2

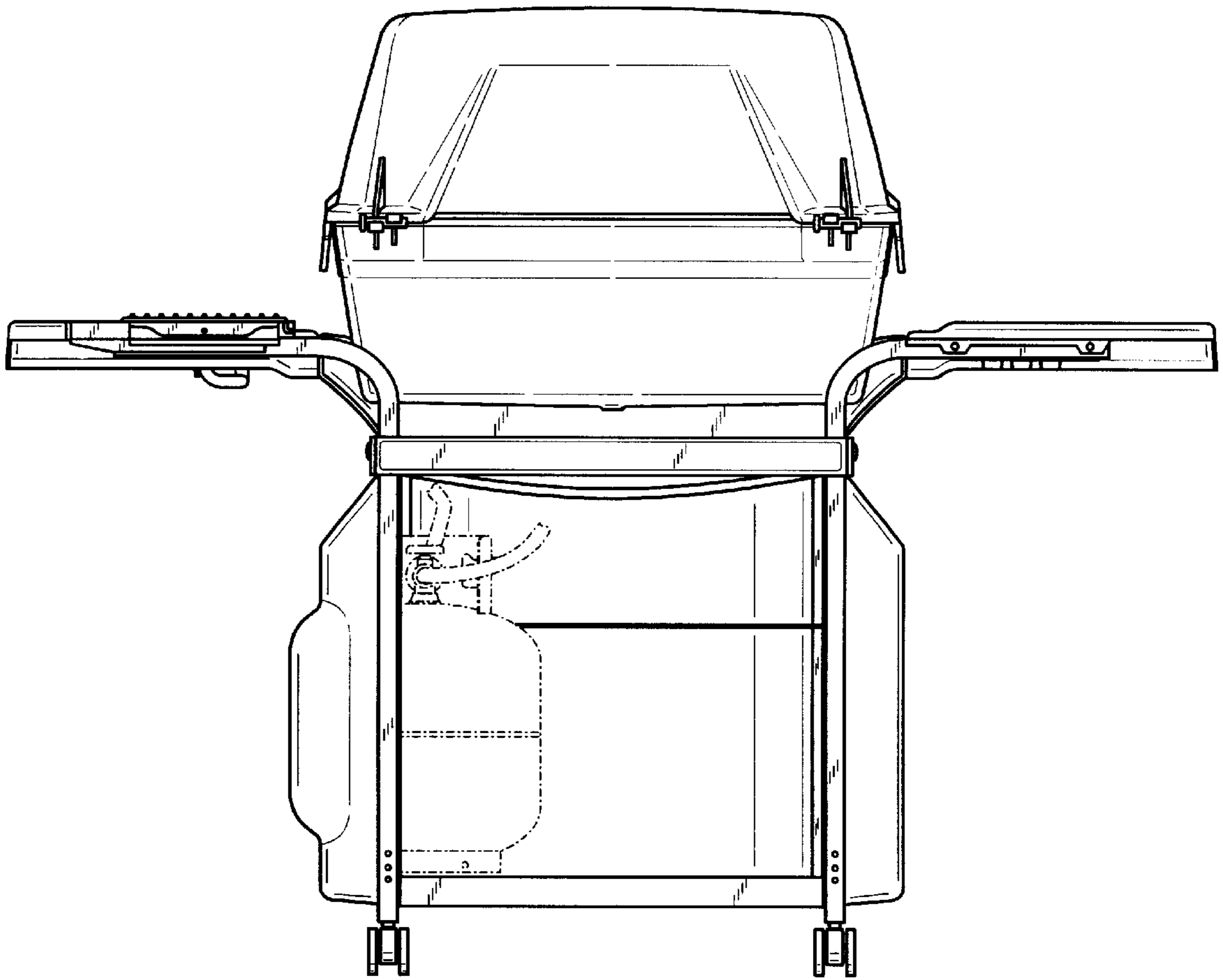


FIG. 3

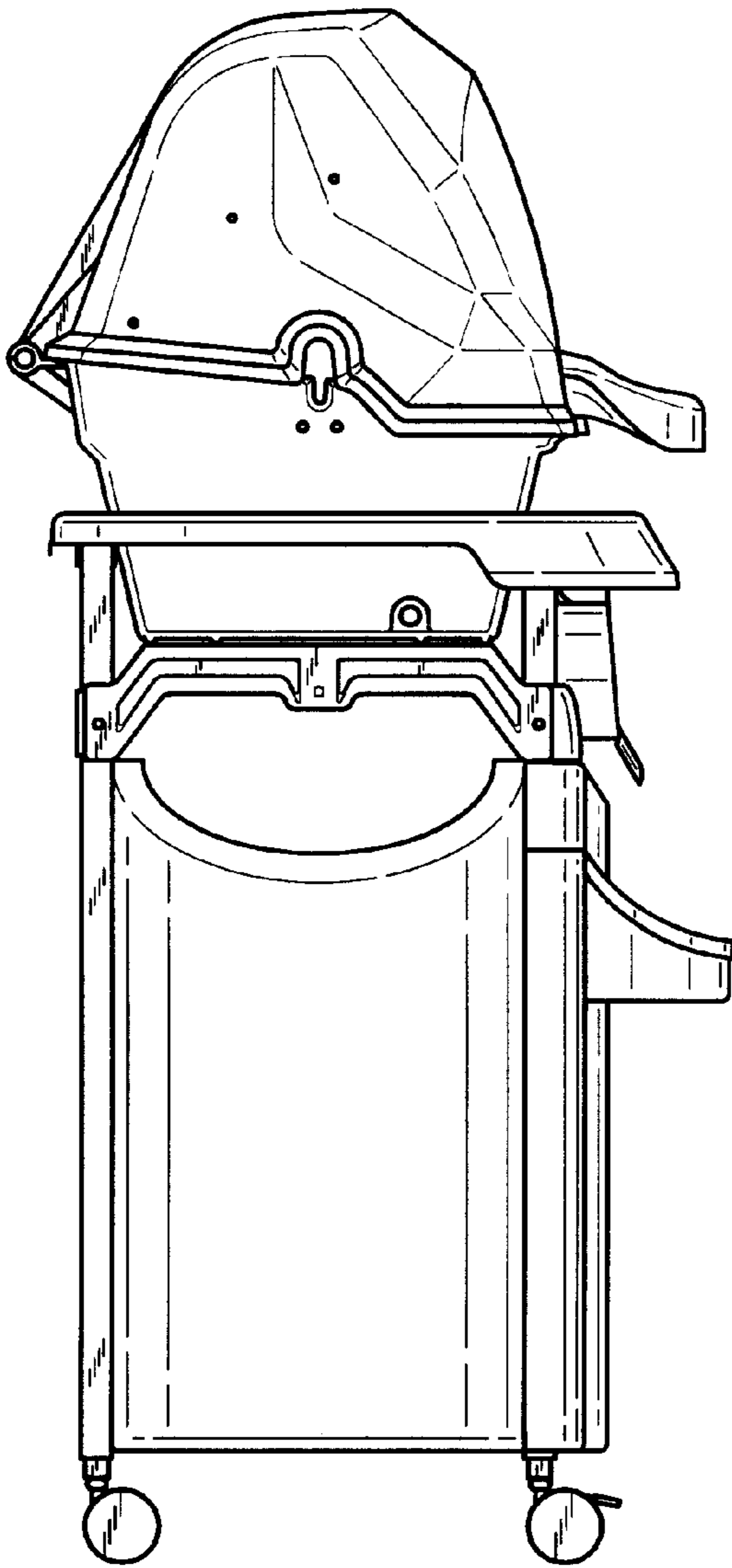


FIG. 4

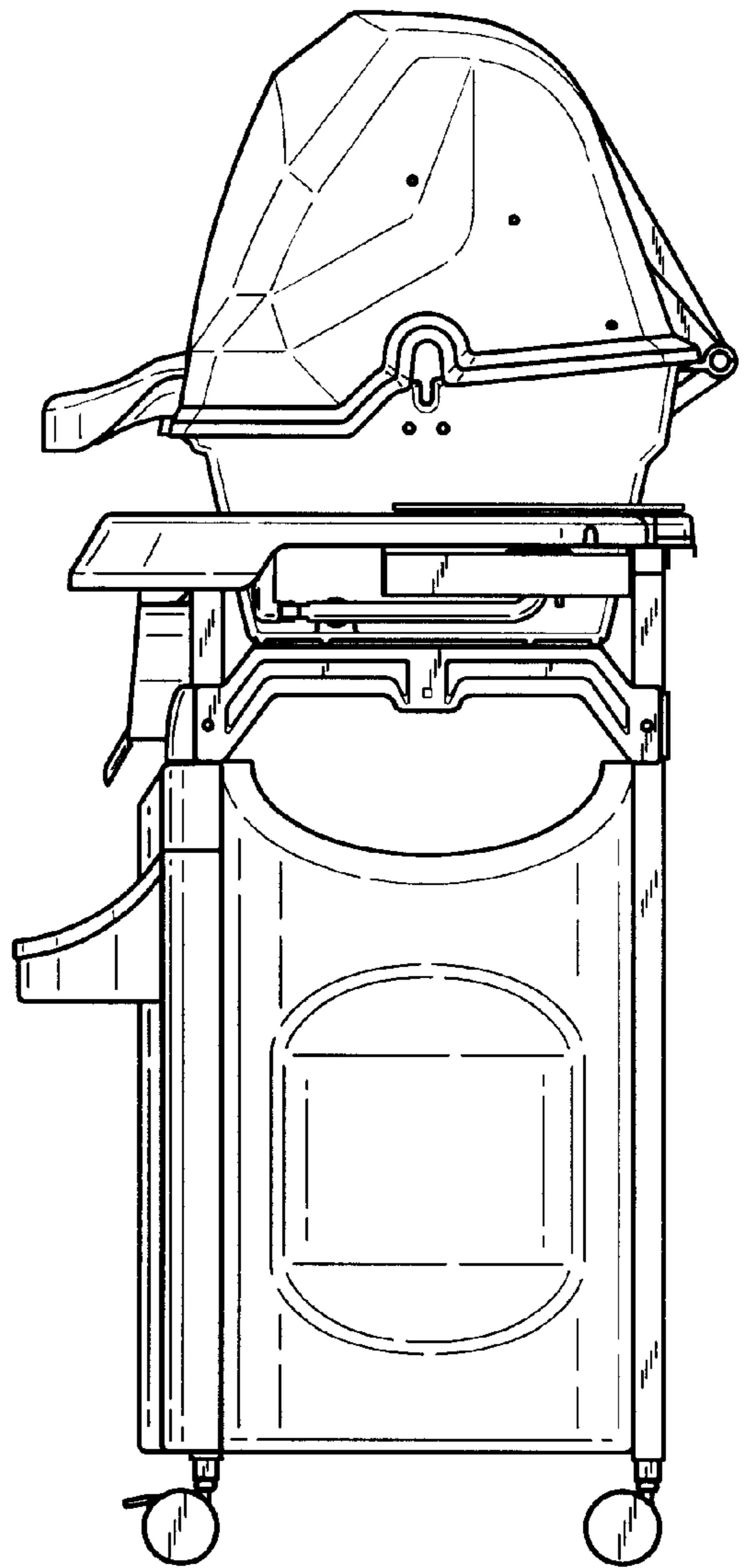


FIG. 5

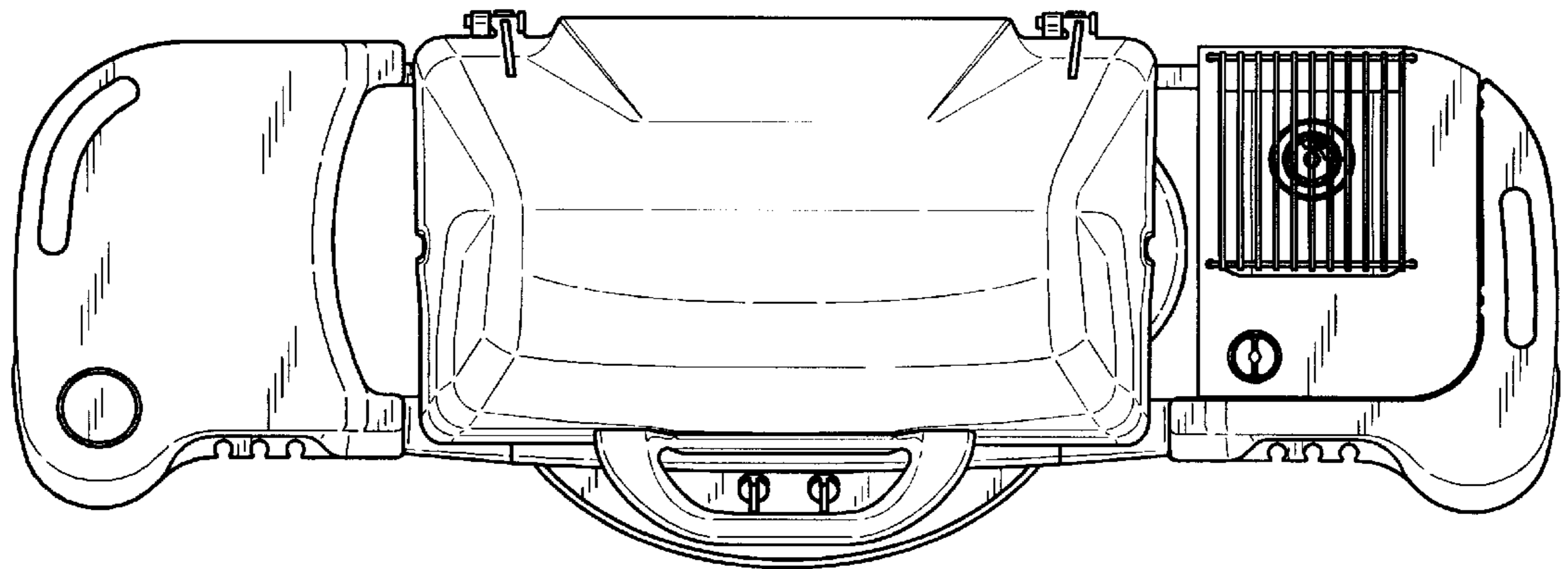


FIG. 6

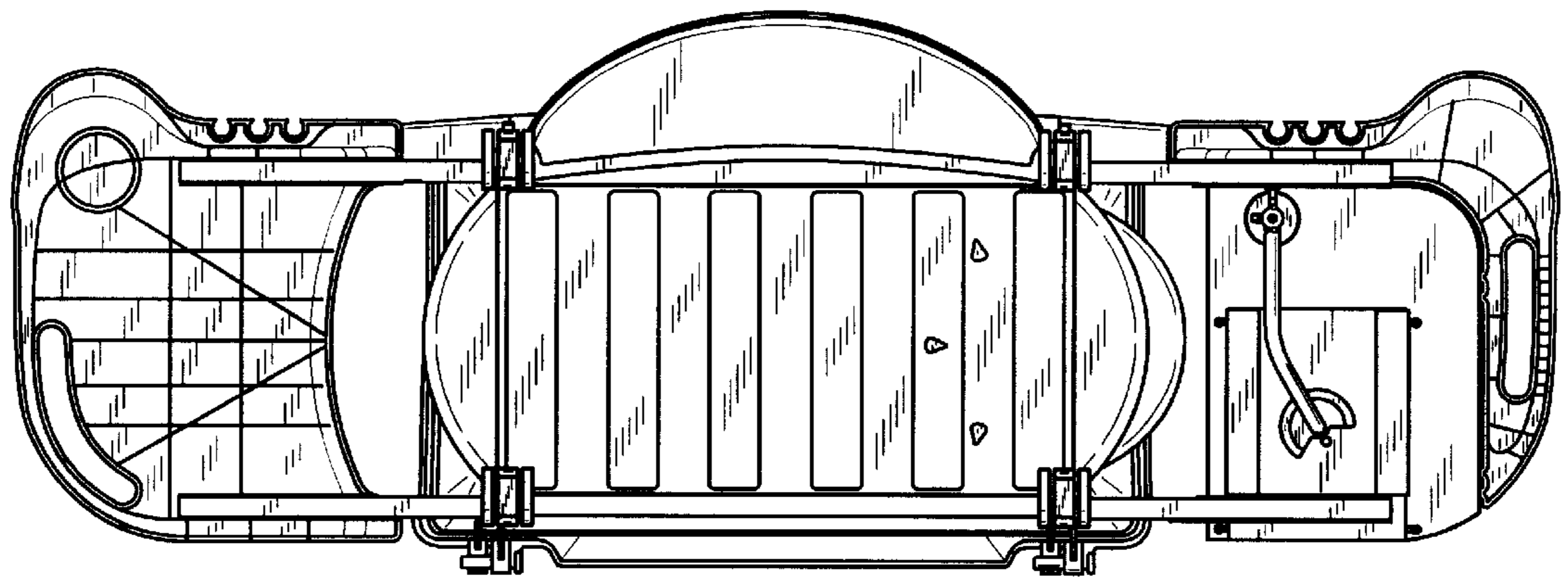


FIG. 7