



US00D462563S

(12) **United States Design Patent**
Bossler

(10) **Patent No.:** **US D462,563 S**

(45) **Date of Patent:** **** Sep. 10, 2002**

(54) **KETTLE-TYPE BARBECUE**

D428,760 S * 8/2000 Huang D7/334
D435,387 S * 12/2000 Pai D7/334

(75) **Inventor:** **Martin C. Bossler**, Spring Grove, IL (US)

OTHER PUBLICATIONS

(73) **Assignee:** **Uniflame Corporation**, Zion, IL (US)

In re Weber-Stephen Products Co.; 3 USPQ2d (TTAB 1987) pp. 1660-1670.

(**) **Term:** **14 Years**

* cited by examiner

(21) **Appl. No.:** **29/142,931**

Primary Examiner—Ruth McInroy

(22) **Filed:** **Jun. 5, 2001**

(74) *Attorney, Agent, or Firm*—Greer, Burns & Crain, Ltd.

(51) **LOC (7) Cl.** **07-02**

(57) **CLAIM**

(52) **U.S. Cl.** **D7/334; D7/402**

The ornamental design for a kettle-type barbecue, as shown and described.

(58) **Field of Search** D7/332, 334-337, D7/402-404; 126/25 R, 25 A, 25 AA, 9 R, 9 B, 29-30, 41 R; 99/421 R, 444

DESCRIPTION

(56) **References Cited**

U.S. PATENT DOCUMENTS

2,641,243 A	6/1953	Goss	
3,330,266 A	7/1967	Stephen	
D219,413 S	* 12/1970	Glaser D7/334
D295,135 S	* 4/1988	Ogden D7/334
5,111,802 A	* 5/1992	Lin 126/25 R
D350,668 S	* 9/1994	Giebel et al. D7/334
D412,086 S	* 7/1999	Bossler D7/402
D415,653 S	10/1999	Schlosser et al.	
D426,419 S	* 6/2000	Kuo D7/334

FIG. 1 is a perspective view of a kettle-type barbecue showing my new design;
FIG. 2 is a left side view thereof;
FIG. 3 is a right side view thereof;
FIG. 4 is a front view thereof;
FIG. 5 is a rear view thereof;
FIG. 6 is a top plan view thereof; and,
FIG. 7 is a bottom plan view thereof.

The details shown in broken lines in all views are for illustrative purposes only and form no part of the claimed design.

1 Claim, 4 Drawing Sheets

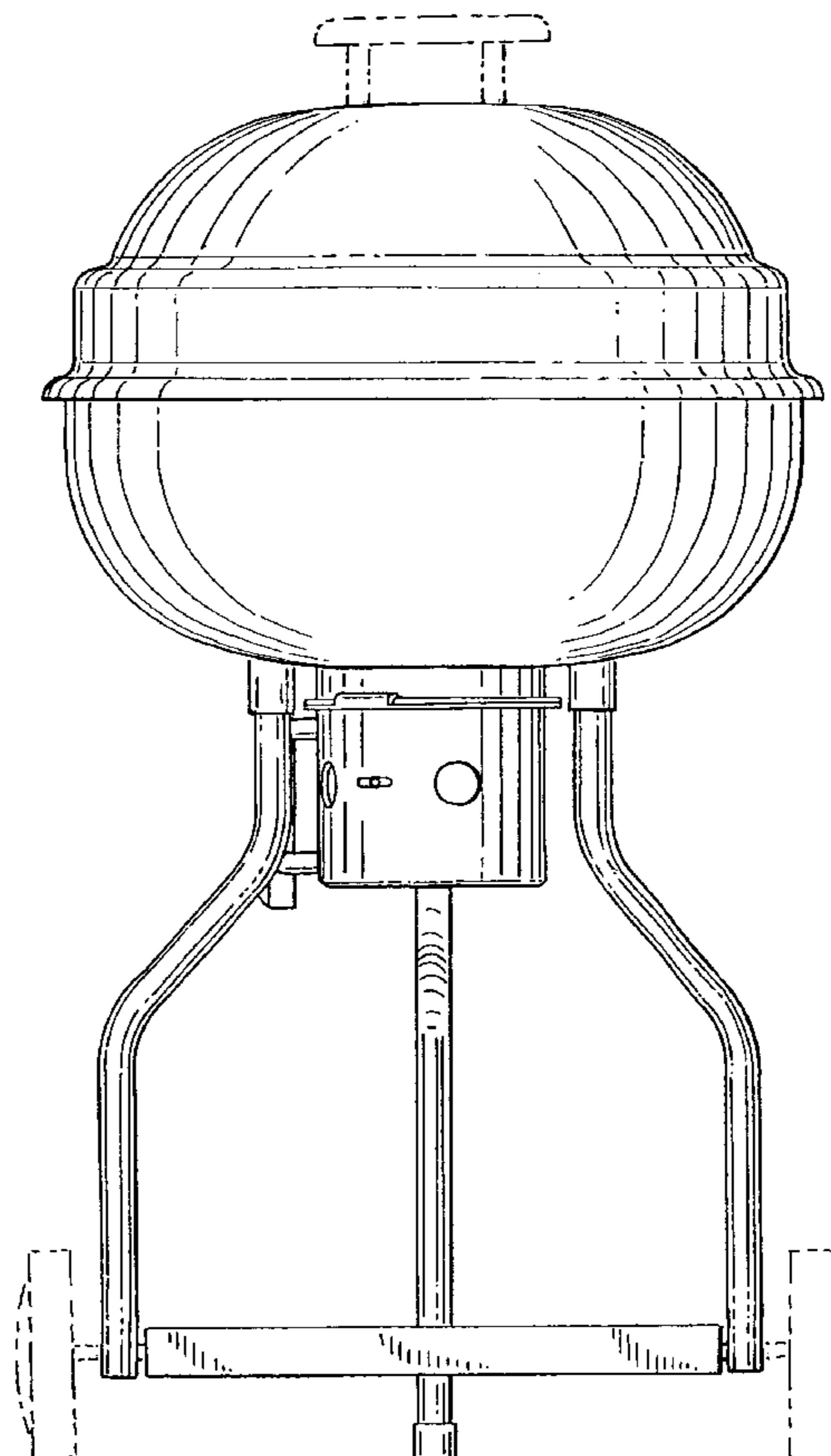
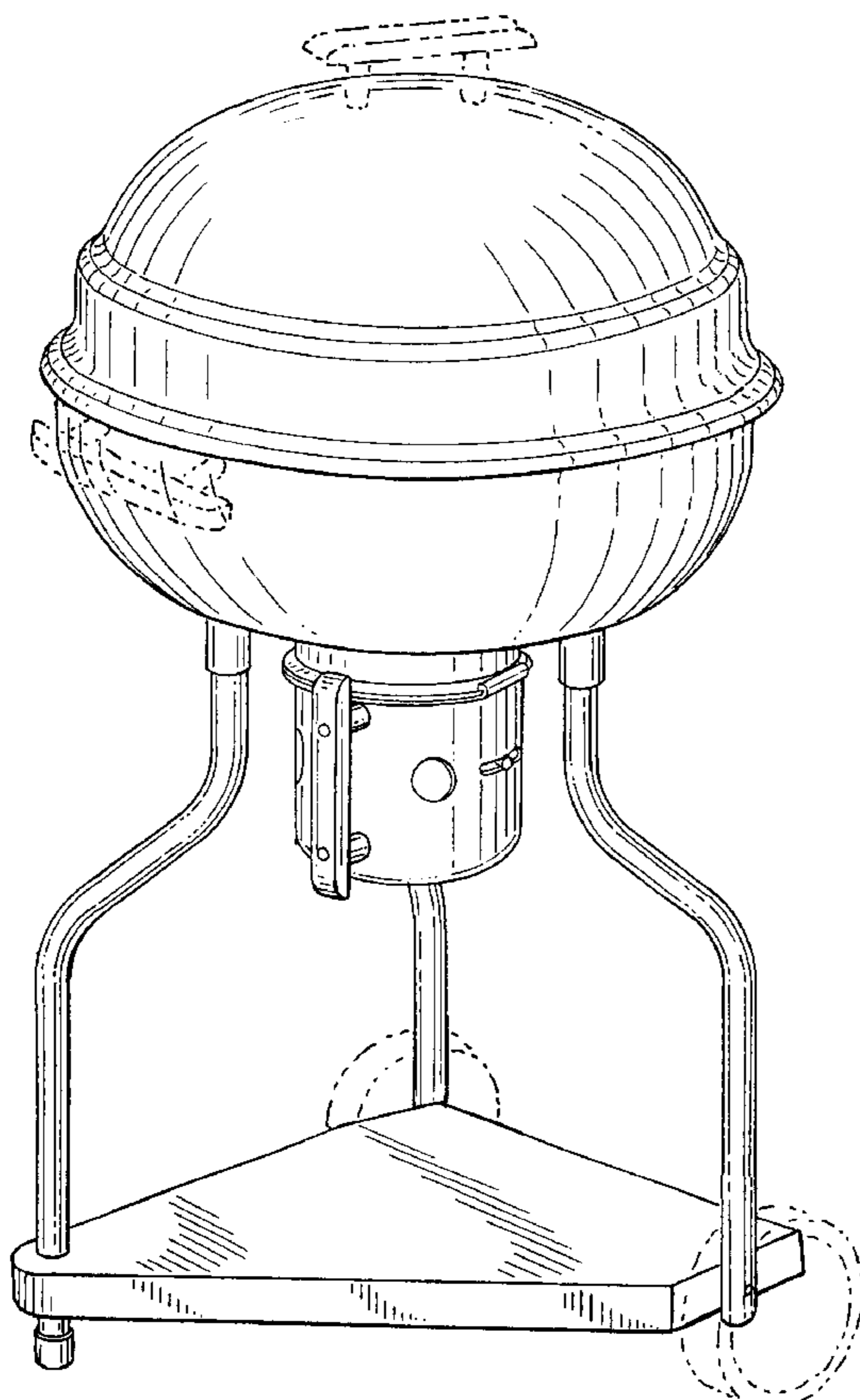
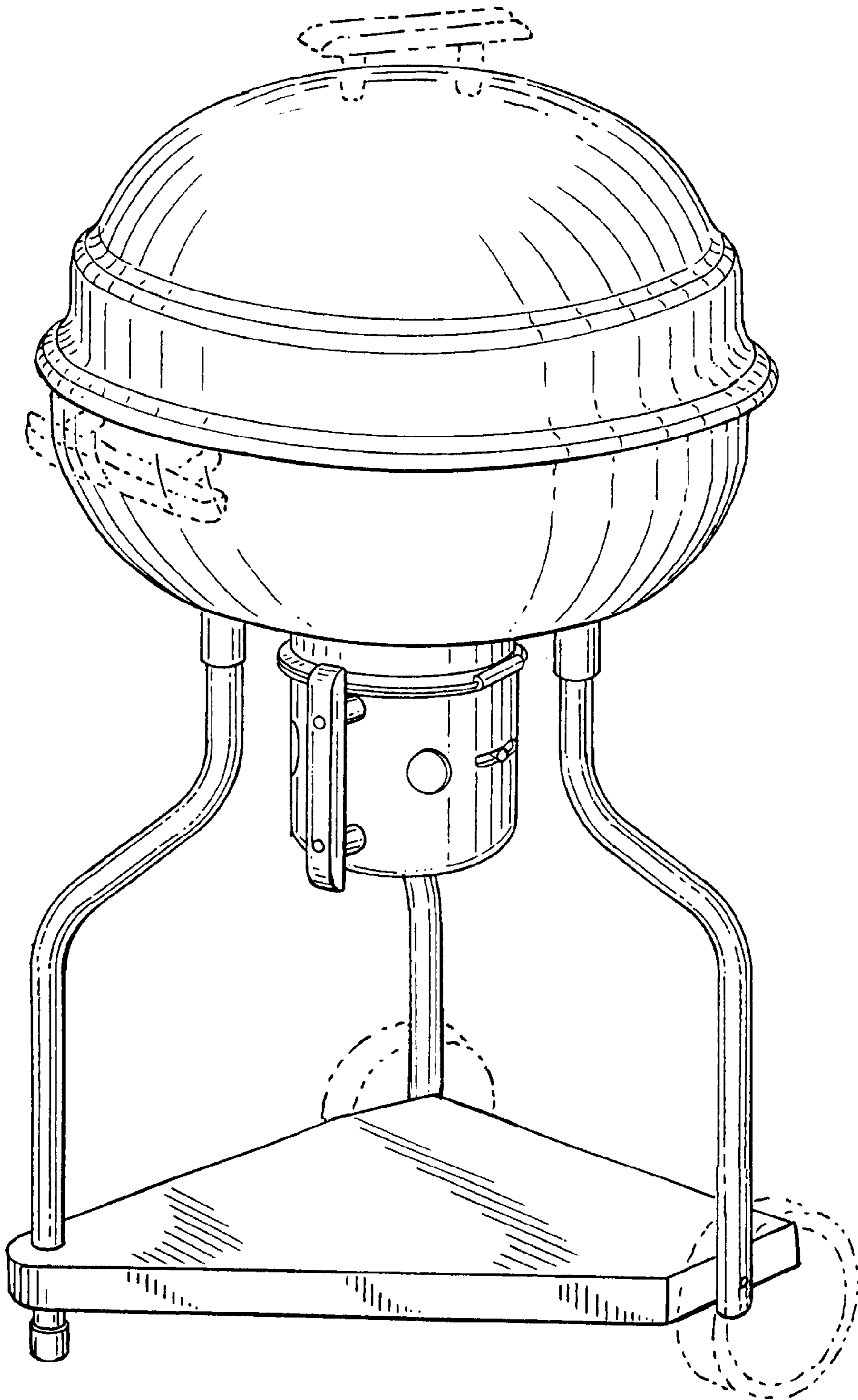


FIG. 1



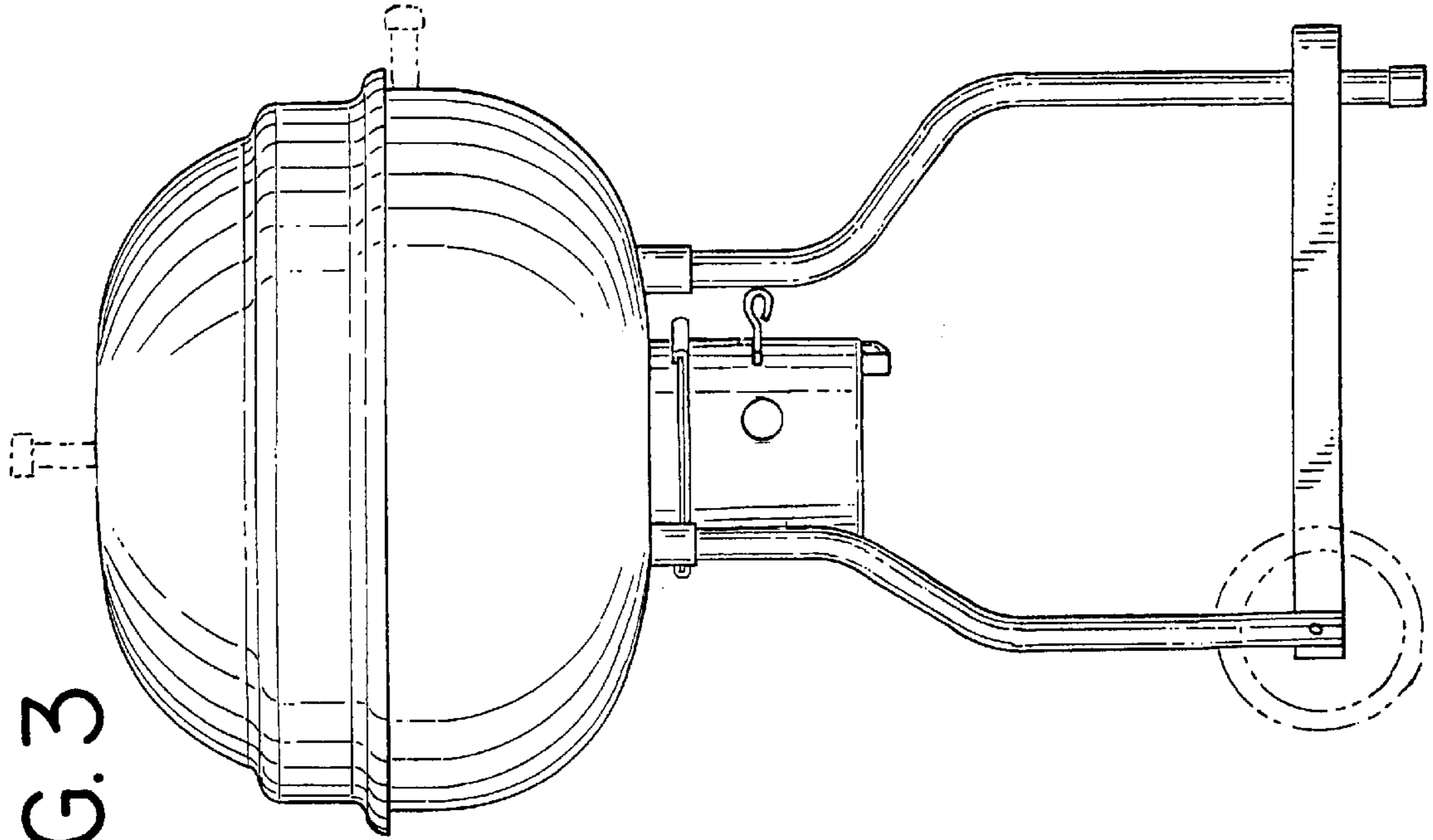


FIG. 3

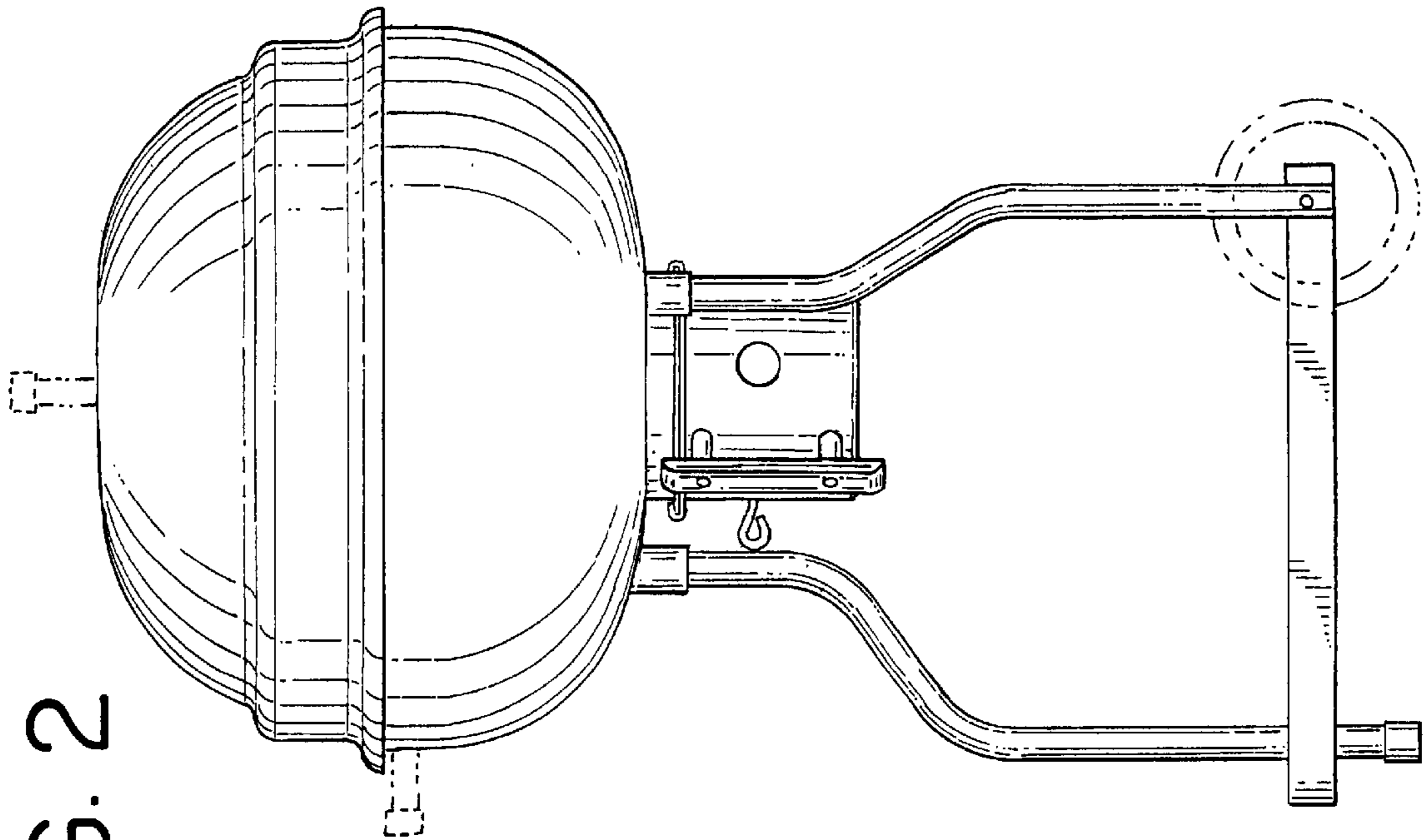


FIG. 2

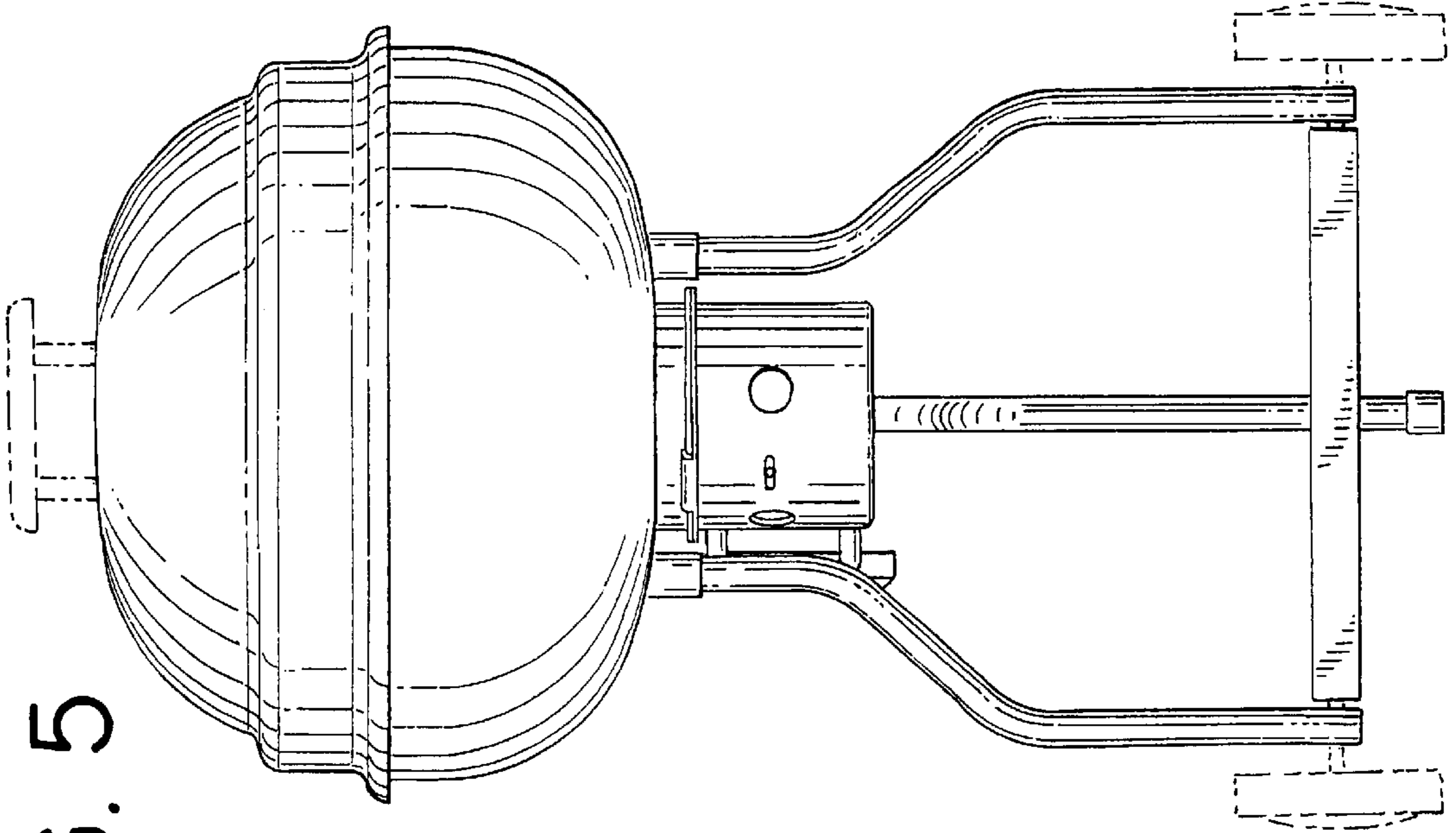


FIG. 5

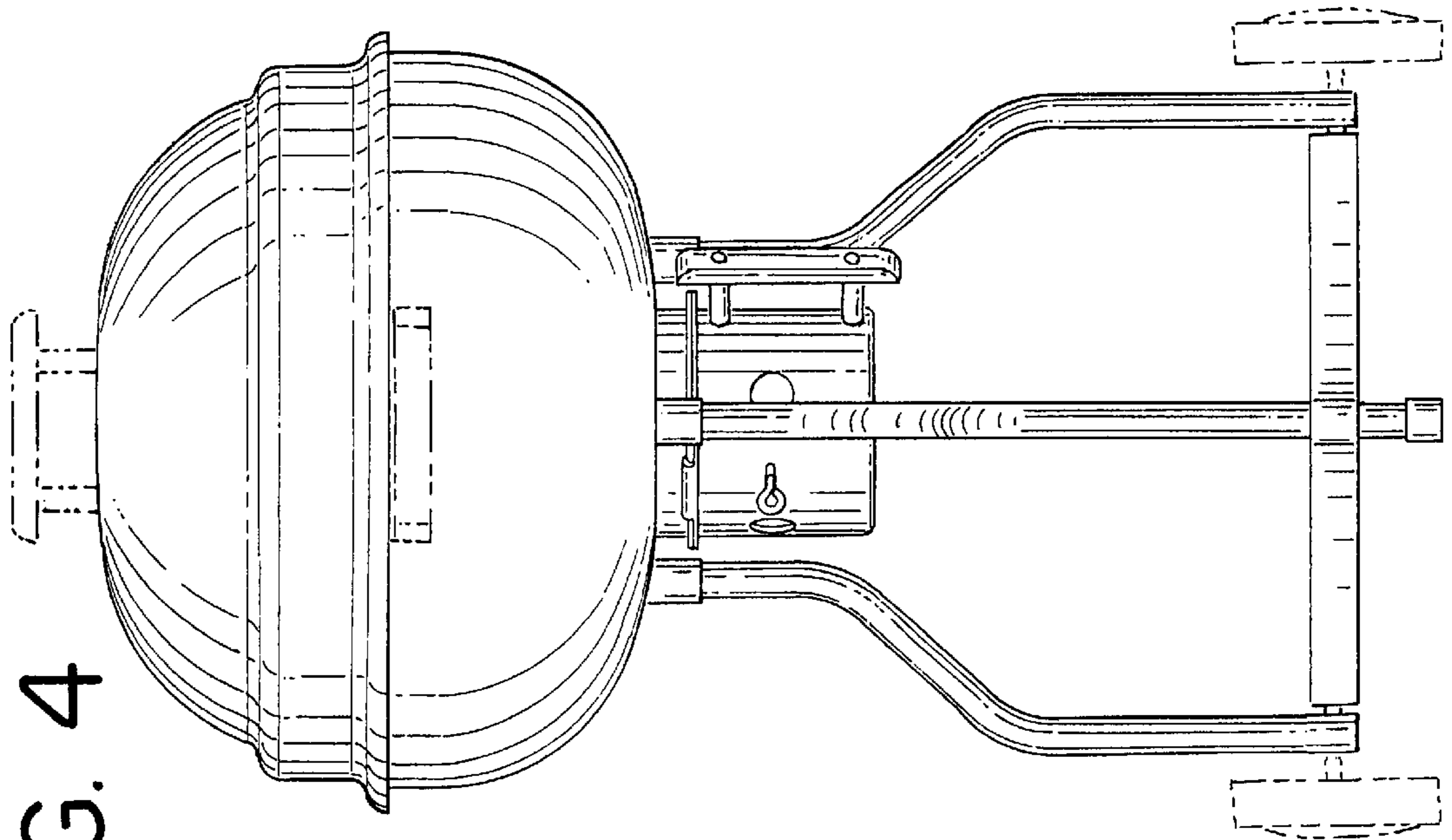


FIG. 4

FIG. 6

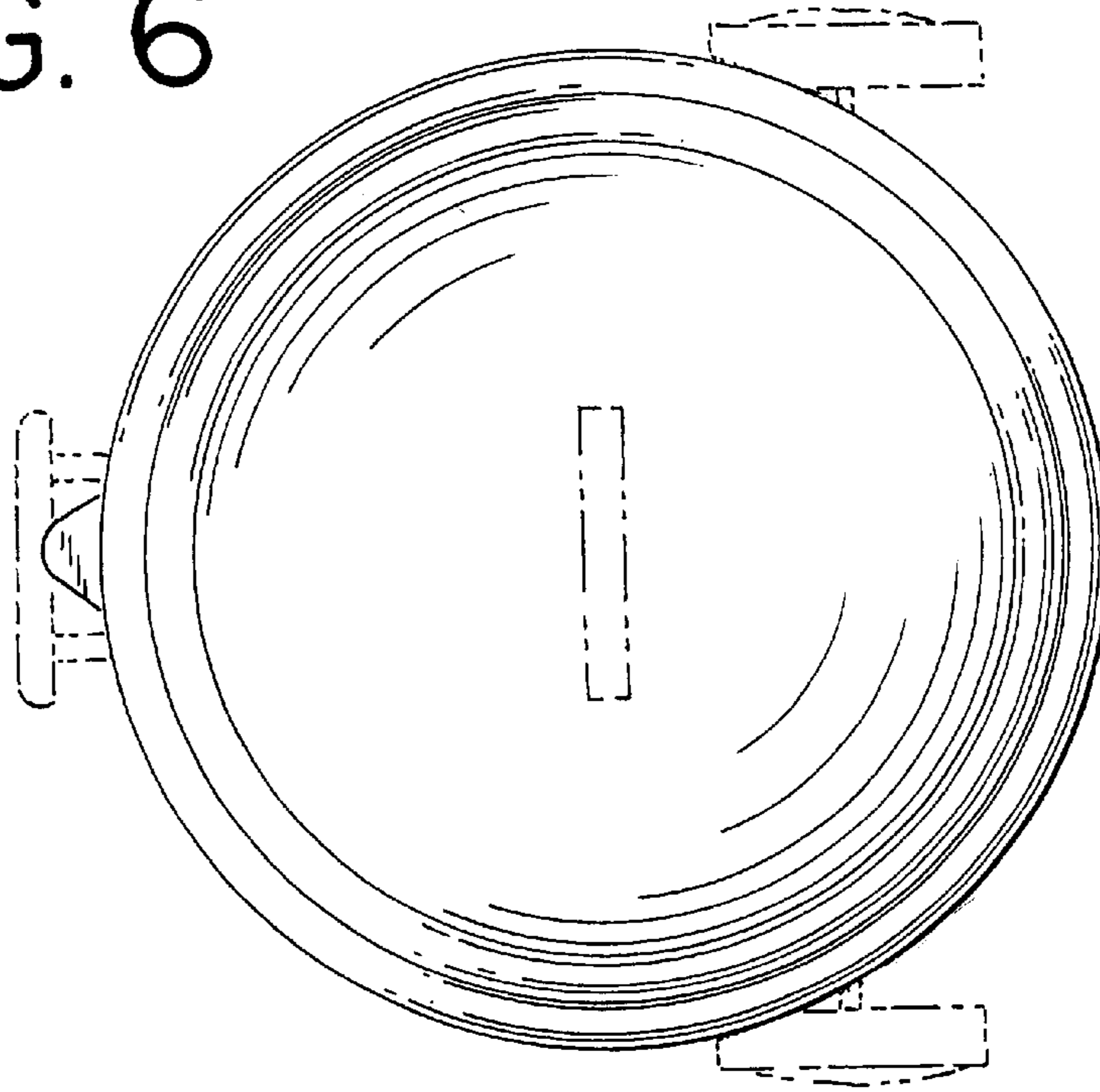


FIG. 7

