



US00D462562S

(12) **United States Design Patent**
Wood

(10) **Patent No.:** **US D462,562 S**

(45) **Date of Patent:** **** Sep. 10, 2002**

(54) **COOKING STOVE**

(75) **Inventor:** **Brian Wood, McKinney, TX (US)**

(73) **Assignee:** **The Brinkmann Corporation, Dallas, TX (US)**

(**) **Term:** **14 Years**

(21) **Appl. No.:** **29/142,161**

(22) **Filed:** **May 17, 2001**

(51) **LOC (7) Cl.** **07-02**

(52) **U.S. Cl.** **D7/332**

(58) **Field of Search** D7/332, 334-337, D7/402-404; 126/25 R, 25 A, 25 AA, 9 R, 9 B, 29-30, 41 R, 38; 99/421 R, 444

(56) **References Cited**

U.S. PATENT DOCUMENTS

D120,152 S	4/1940	Tullis	
2,482,797 A	9/1949	Quinnell et al.	126/45
D157,609 S	3/1950	Levine	D81/10
D184,450 S	2/1959	Mortan	D81/10
3,025,849 A	3/1962	Zimmerman	126/43
D196,018 S	8/1963	Palmer et al.	D81/10
D201,234 S	5/1965	Busse	D81/10
D229,277 S	11/1973	Chan	D7/110
D246,151 S	10/1977	Chan	D7/110
D285,522 S *	9/1986	Basini	D7/334
D295,818 S	5/1988	Chan	D7/332
D296,649 S	7/1988	Napier	D7/407
5,038,749 A	8/1991	Jerry et al.	126/40
5,065,735 A	11/1991	Bourgeois et al.	126/40
D328,547 S	8/1992	Dutro et al.	D7/332
D329,162 S	9/1992	Dutro et al.	D7/332
D356,714 S	3/1995	Dutro et al.	D7/332
D357,610 S	4/1995	Dutro et al.	D7/332
D358,057 S	5/1995	Dutro et al.	D7/332

D360,803 S	8/1995	Dutro et al.	D7/332
D364,772 S	12/1995	Dutro et al.	D7/332
D378,646 S	4/1997	Dutro et al.	D7/339
5,704,777 A	1/1998	Measom	431/329
5,906,196 A	5/1999	Measom	126/304 A
D417,120 S *	11/1999	Dutro et al.	D7/332
5,979,431 A	11/1999	Hamilton et al.	126/41 R
D417,359 S *	12/1999	Dutro et al.	D7/332
D449,491 S *	10/2001	Measom	D7/334

OTHER PUBLICATIONS

9 Photographs of the Camp Chef Professional Model camping stove, known to have been on sale in the U.S. prior to May 17, 2001.

* cited by examiner

Primary Examiner—Ruth McInroy

(74) *Attorney, Agent, or Firm*—Sheppard, Mullin, Richter & Hampton LLP; Oral Caglar

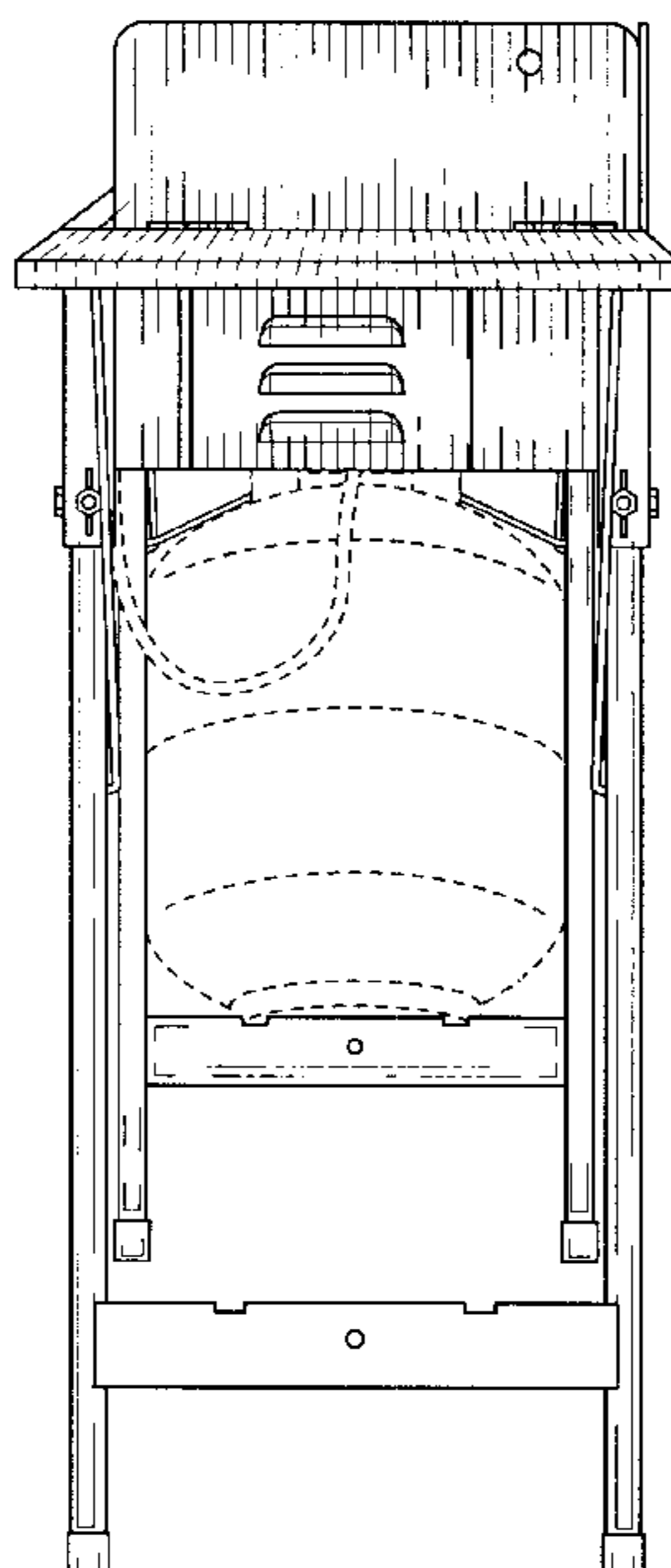
(57) **CLAIM**

I claim the ornamental design for a cooking stove, as shown and described.

DESCRIPTION

FIG. 1 is a perspective view of a cooking stove showing my new design;
FIG. 2 is a front view thereof;
FIG. 3 is a rear view thereof;
FIG. 4 is a top plan view thereof;
FIG. 5 is a bottom plan view thereof;
FIG. 6 is a right side view thereof; and,
FIG. 7 is a left side view thereof.
The propane tank and hose shown in broken lines in FIGS. 1-3 and 5-7 are for illustrative purposes only and form no part of the claimed design.

1 Claim, 5 Drawing Sheets



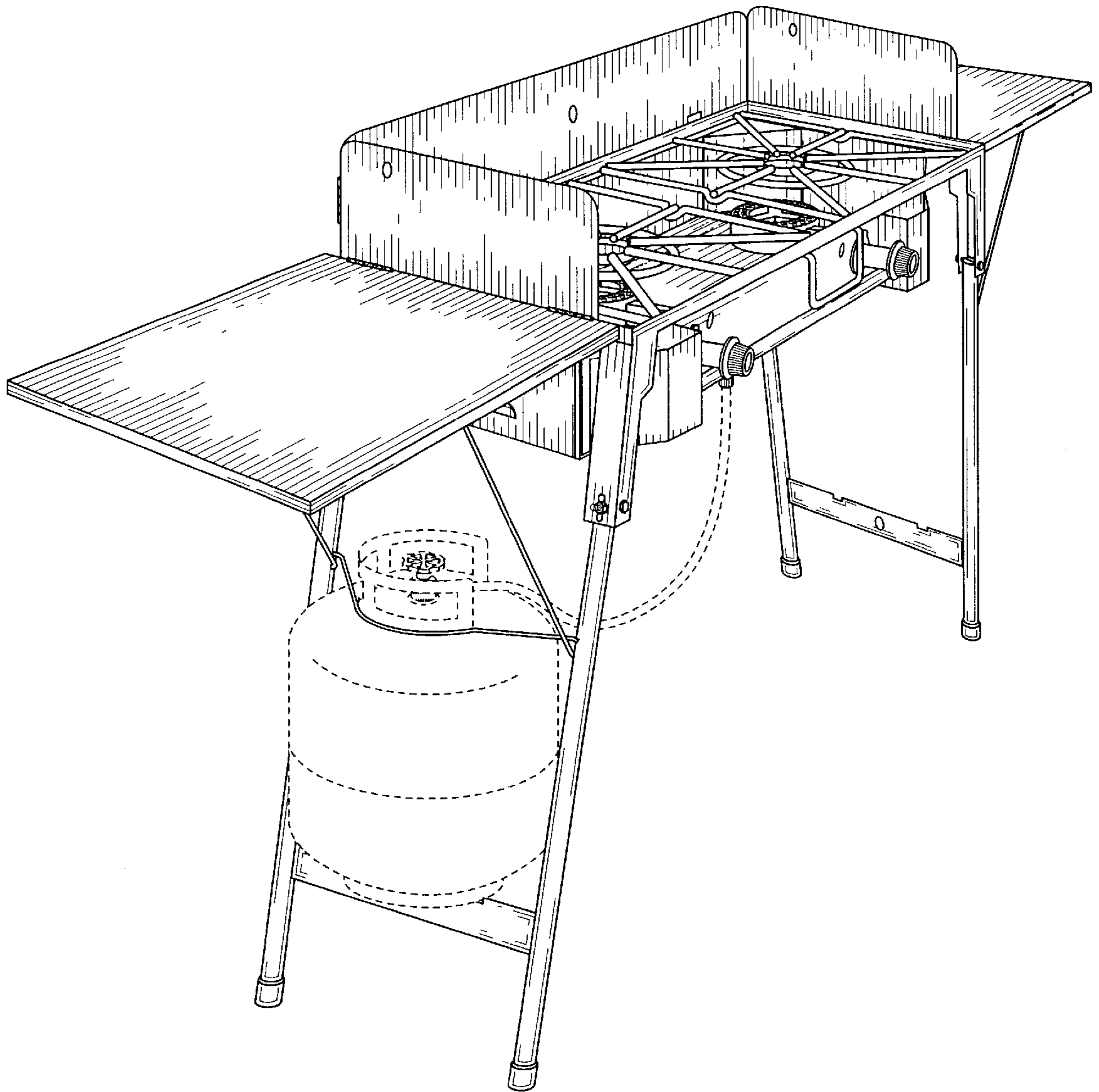


FIG. 1

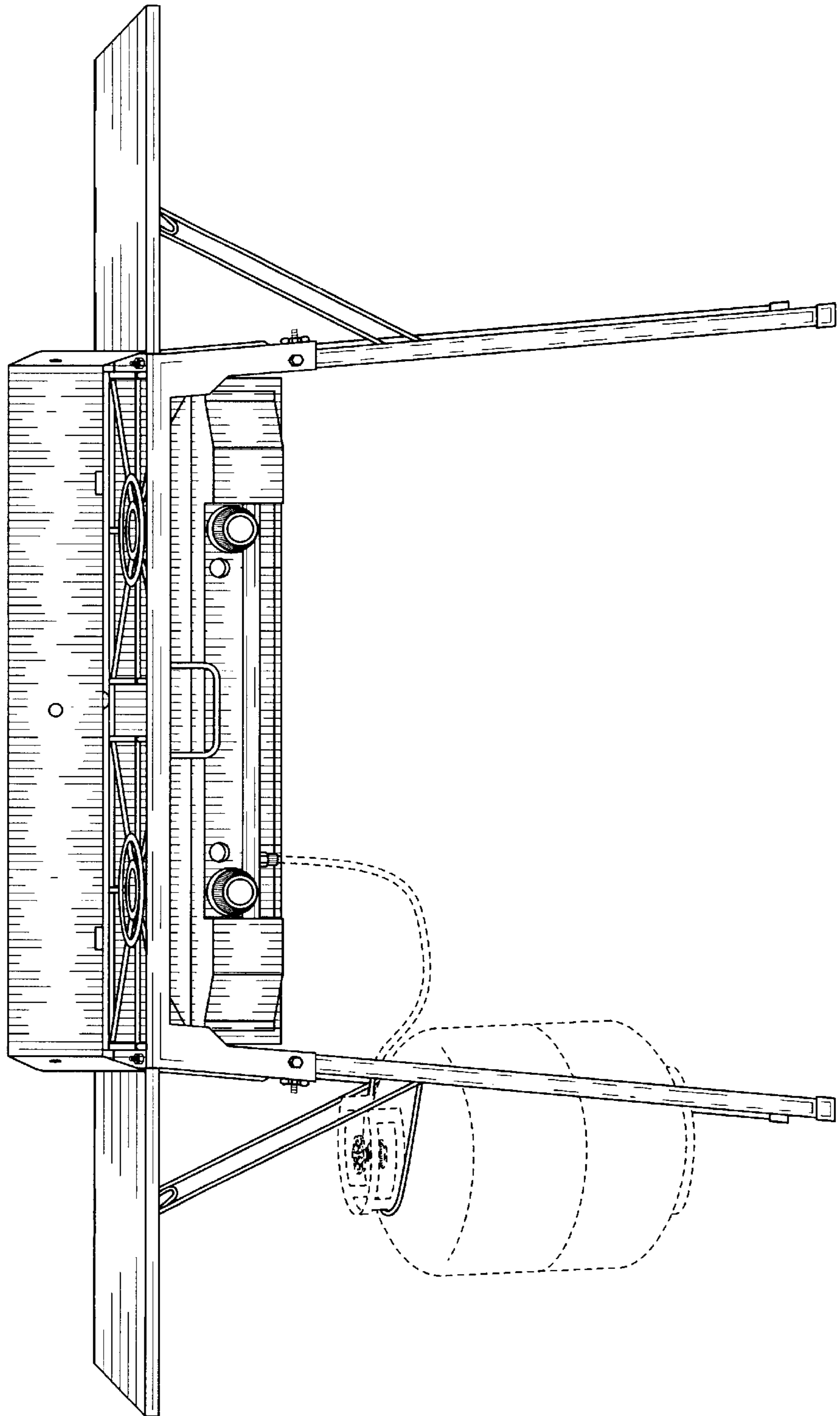


FIG. 2

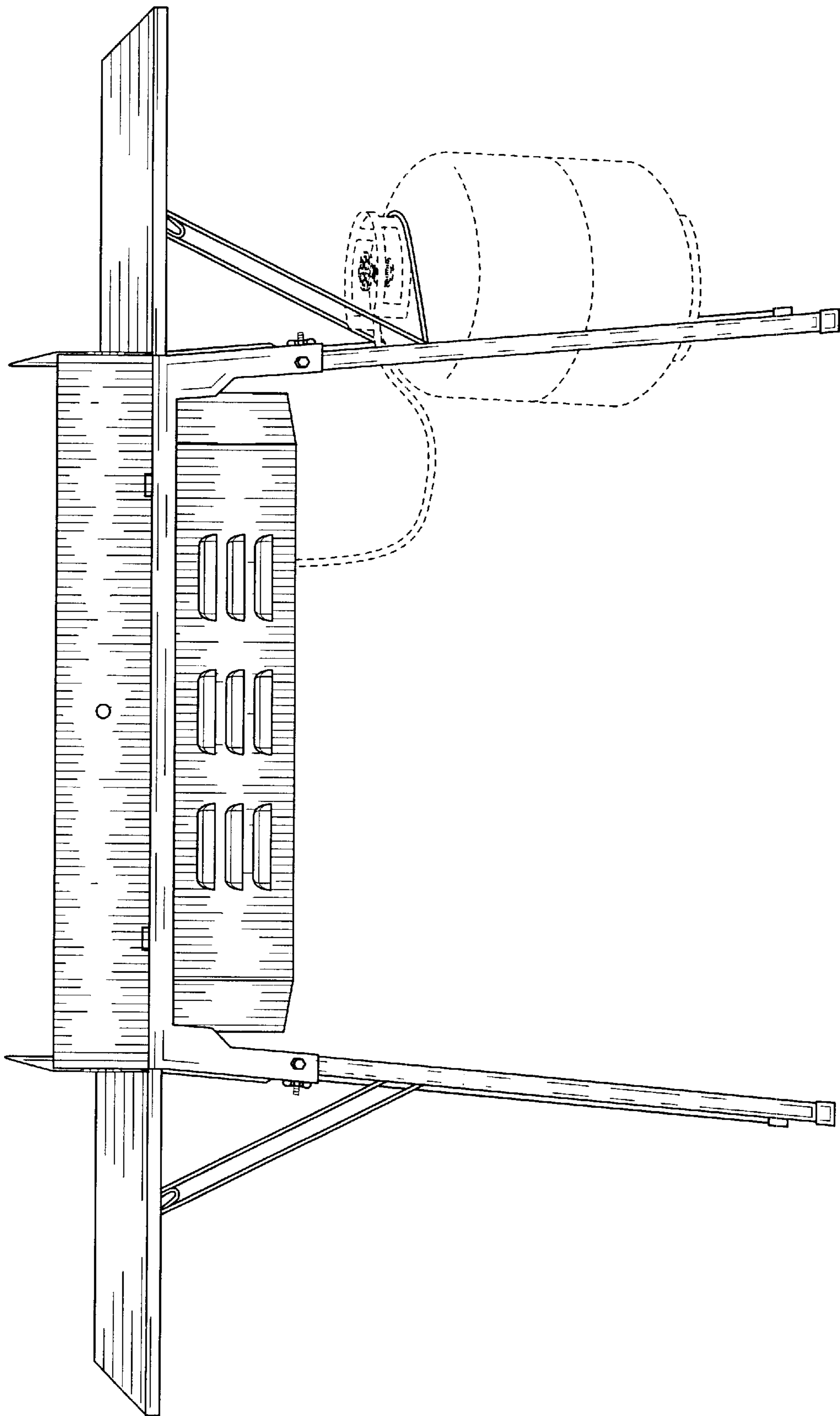


FIG. 3

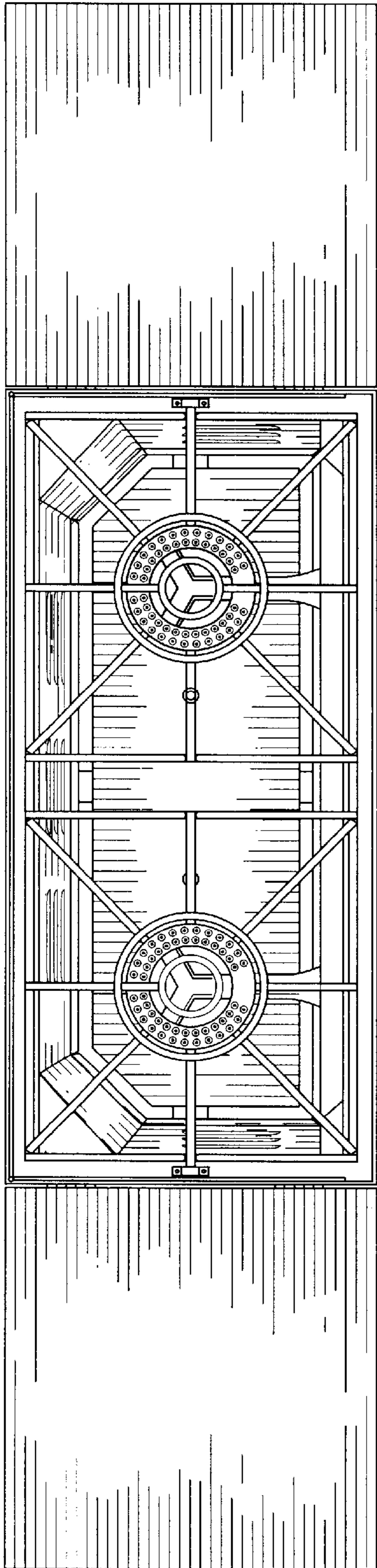


FIG. 4

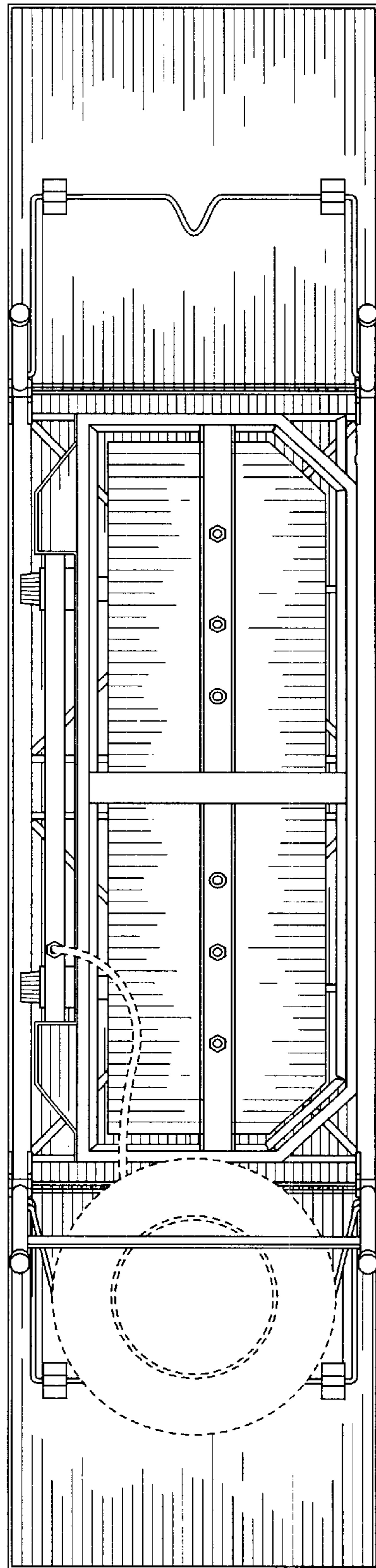


FIG. 5

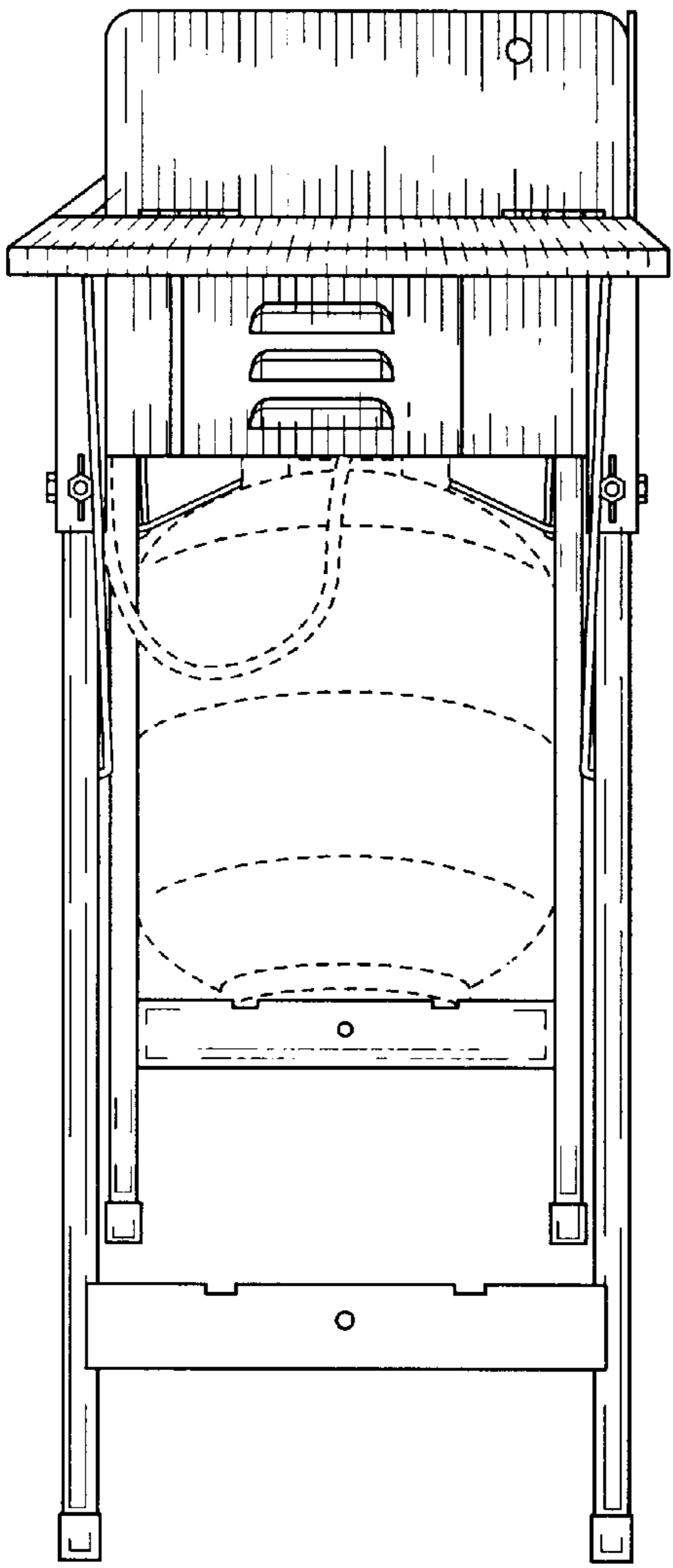


FIG. 6

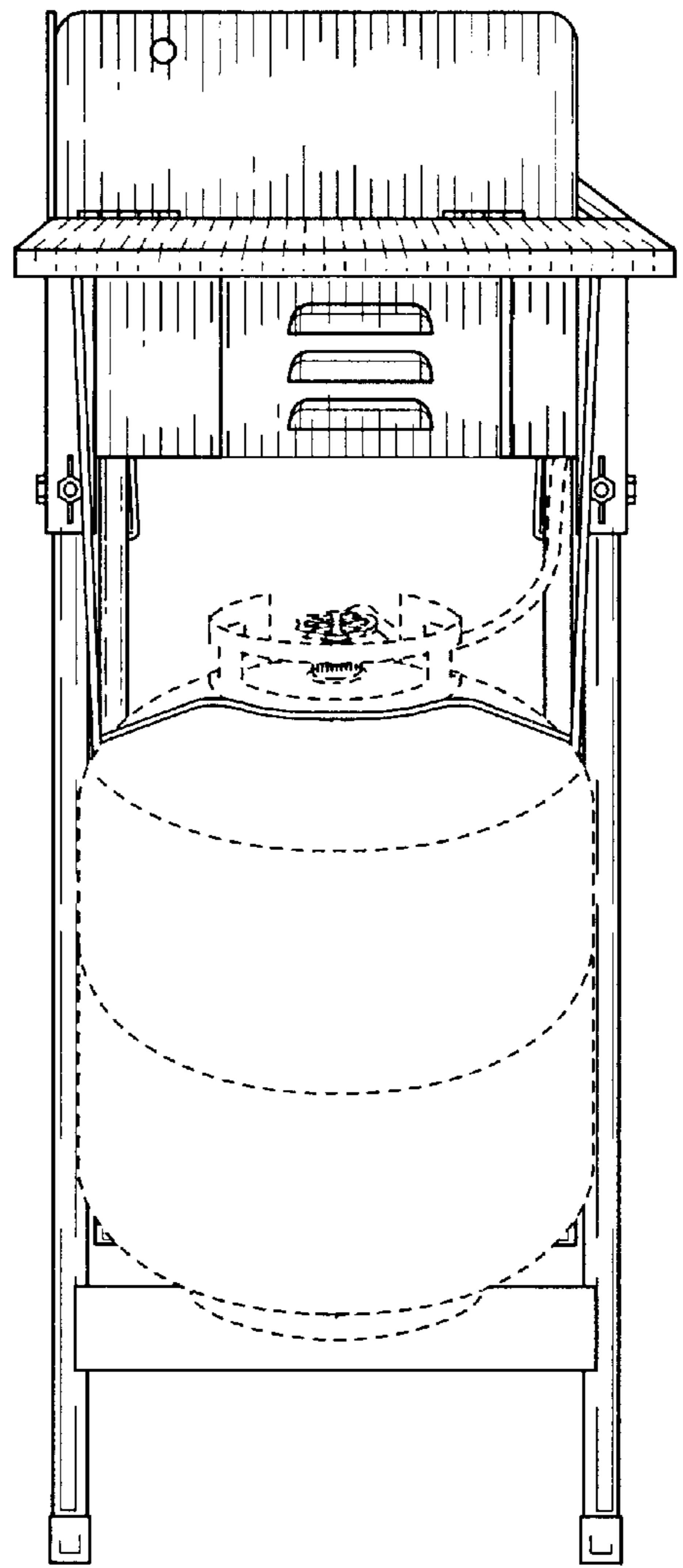


FIG. 7