



US00D46255S

(12) **United States Design Patent**  
**Lee Wang**

(10) **Patent No.:** **US D462,555 S**

(45) **Date of Patent:** **\*\* Sep. 10, 2002**

- (54) **BATHROOM ACCESSORY POST**
- (75) Inventor: **Chien-Hui Lee Wang**, Chang Hua (TW)
- (73) Assignee: **Jiann Shin Plumbing Products Co., Ltd.**, Chang Hua (TW)
- (\*\*) Term: **14 Years**
- (21) Appl. No.: **29/145,965**
- (22) Filed: **Aug. 2, 2001**
- (51) **LOC (7) Cl.** ..... **06-04**
- (52) **U.S. Cl.** ..... **D6/550; D6/524**
- (58) **Field of Search** ..... D6/546-50, 518, D6/522-24; D8/300, 307-8, 315-20; 108/29; 211/13.1, 16, 60.1, 86.01, 87.01, 88.04, 105.1-105.2, 106, 123, 181.1; 242/570, 588-90, 597-98; 248/49, 175, 200-1, 205.1, 214, 251-54, 261, 302, 304, 309.1, 314-17

(56) **References Cited**

**U.S. PATENT DOCUMENTS**

- D385,735 S \* 11/1997 Hundley et al. .... D6/524
- D398,176 S \* 9/1998 Moore et al. .... D6/550
- D400,036 S \* 10/1998 Moore et al. .... D6/550
- D424,346 S \* 5/2000 Chen ..... D6/524
- D425,348 S \* 5/2000 Chen ..... D6/524
- D431,139 S \* 9/2000 Chen ..... D6/524
- D438,040 S \* 2/2001 Funk ..... D6/524
- D452,100 S \* 12/2001 Gilbert ..... D6/549

- D453,085 S \* 1/2002 Chen ..... D6/524
- D454,744 S \* 3/2002 Ou-Young ..... D6/550

\* cited by examiner

*Primary Examiner*—Brian N. Vinson

(74) *Attorney, Agent, or Firm*—Harrison & Egbert

(57) **CLAIM**

The ornamental design for a bathroom accessory post, as shown and described.

**DESCRIPTION**

FIG. 1 is a top, front, and right side perspective view of a first embodiment of a bathroom accessory post showing my new design;

FIG. 2 is a front elevational view thereof;

FIG. 3 is a rear elevational view thereof;

FIG. 4 is a right side elevational view thereof;

FIG. 5 is a left side elevational view thereof;

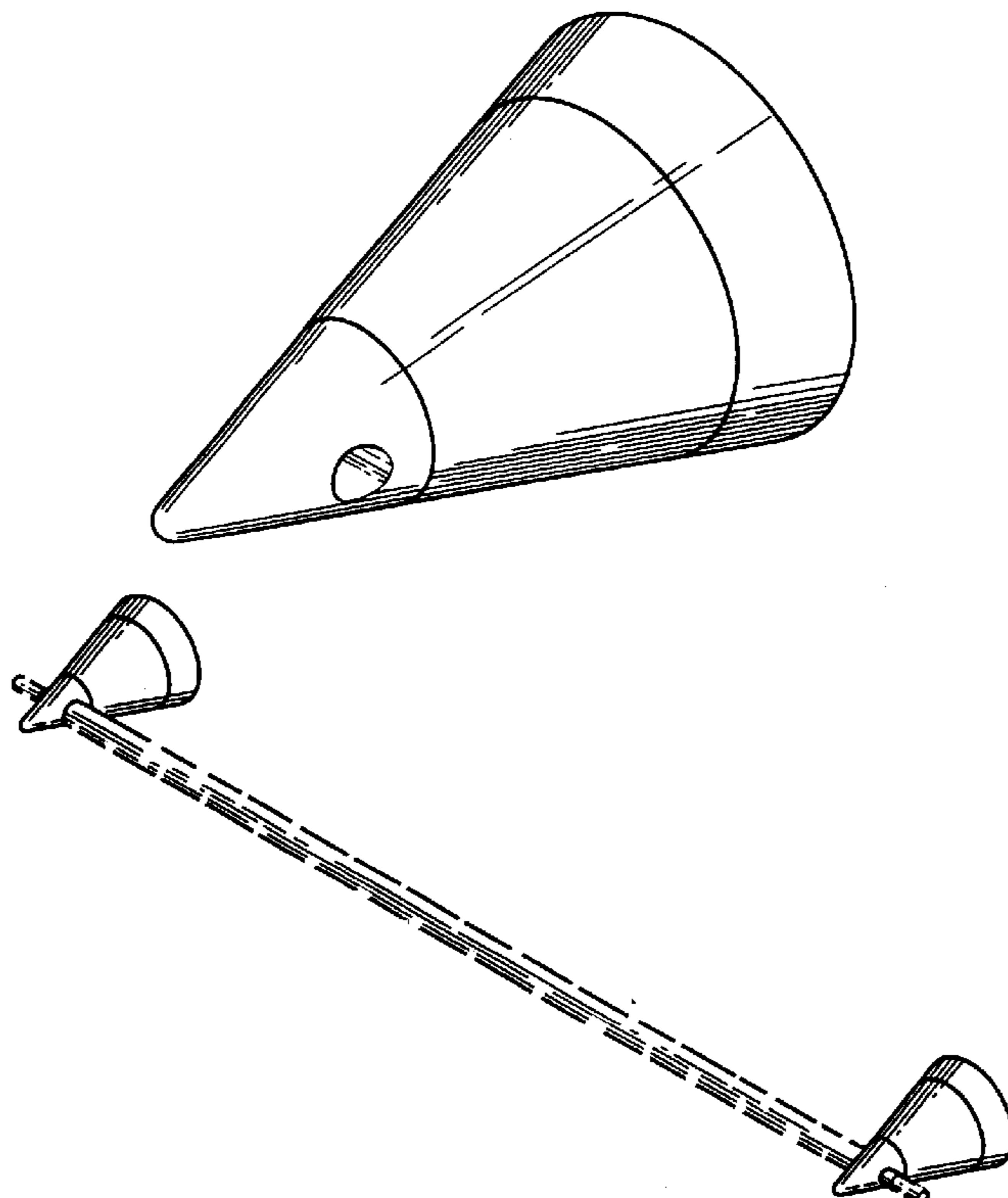
FIG. 6 is a top plan view thereof;

FIG. 7 is a bottom plan view thereof;

FIG. 8 is a top, front, and right side perspective view thereof, with the broken-line disclosure of a towel ring being for illustrative purposes only and forming no part of the claimed design; and,

FIG. 9 is a reduced top, front, and right side perspective view of a second embodiment of a bathroom accessory post, with the broken-line disclosure of a towel bar being for illustrative purposes only and forming no part of the claimed design.

**1 Claim, 6 Drawing Sheets**



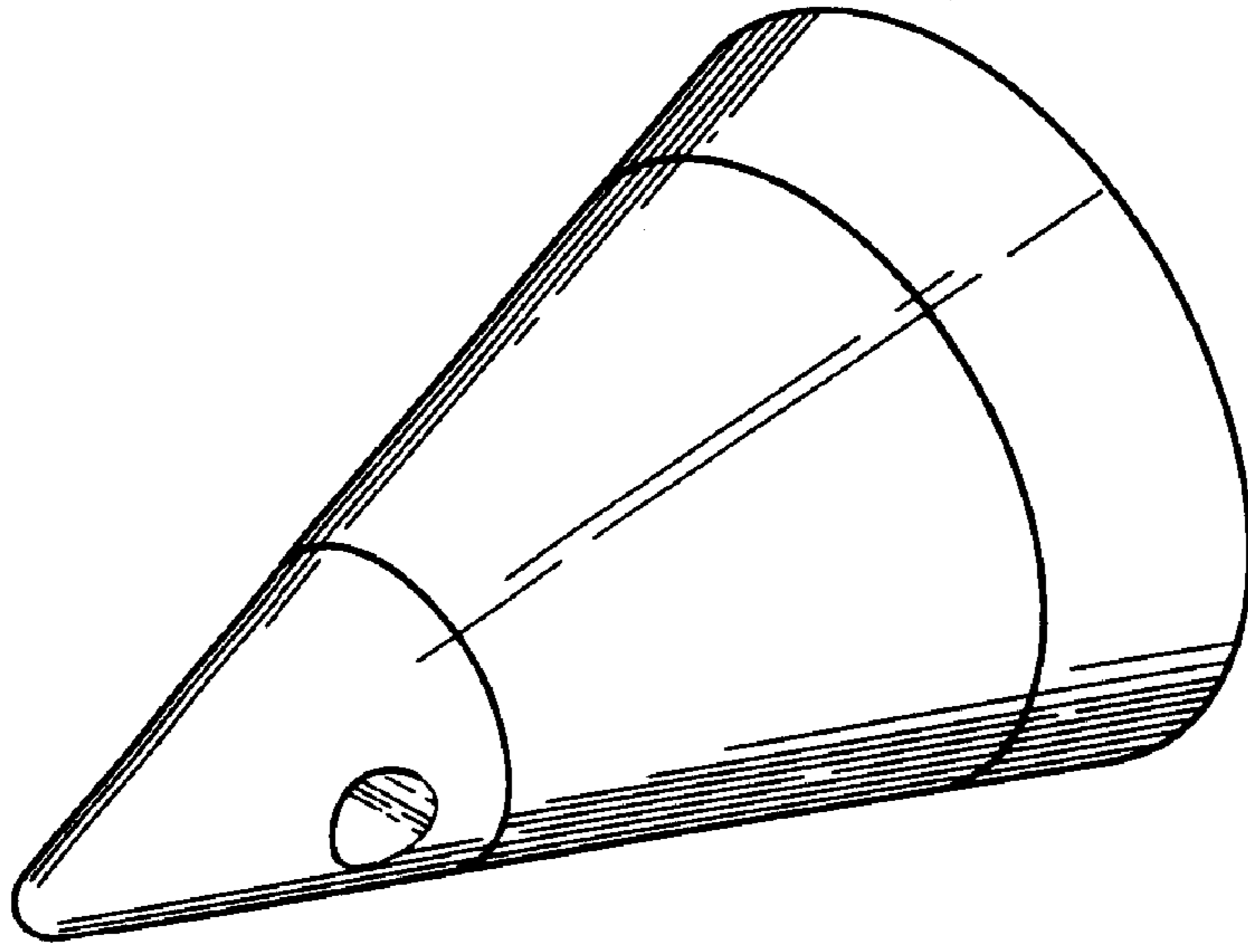


FIG.1

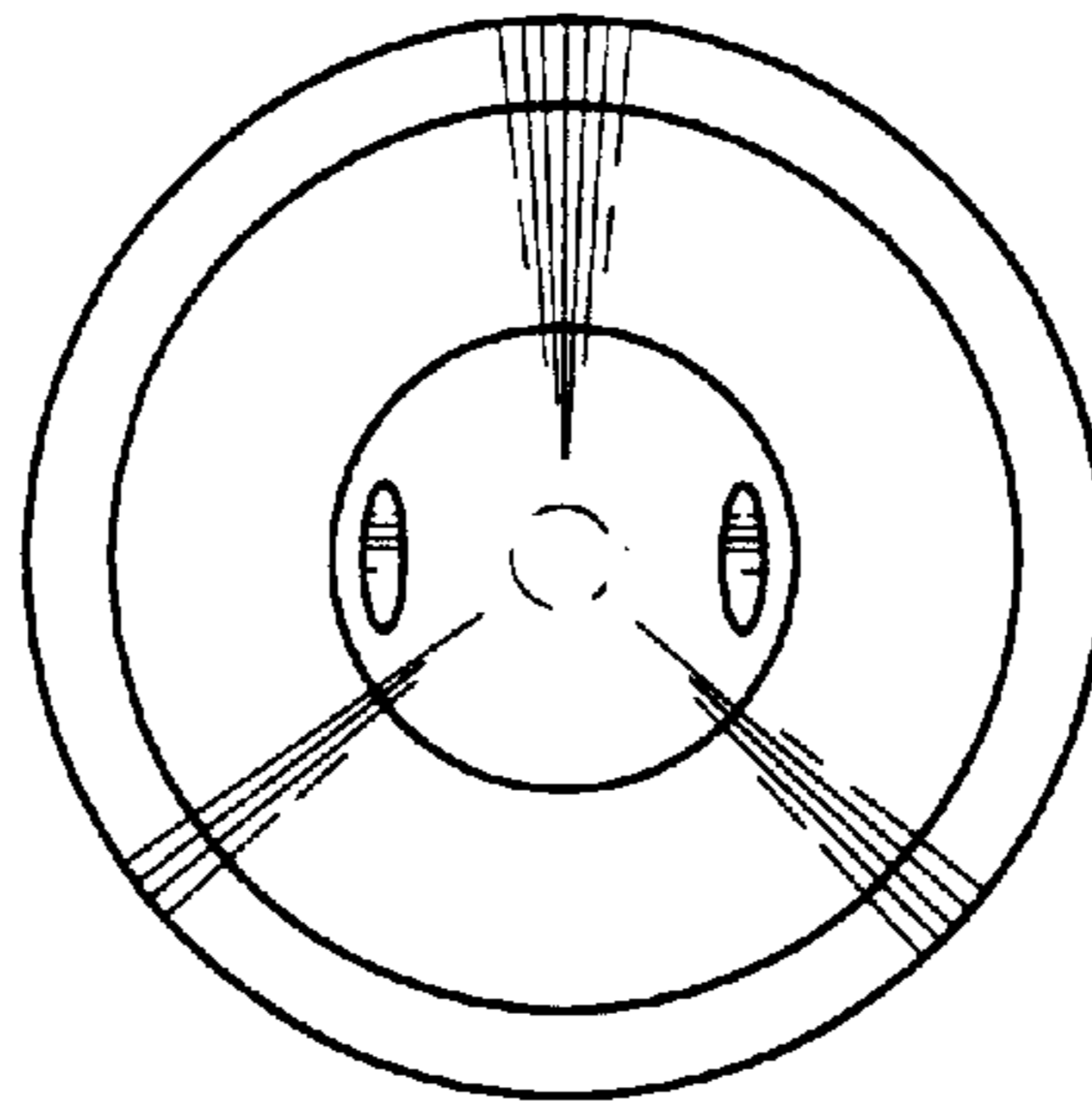


FIG. 2

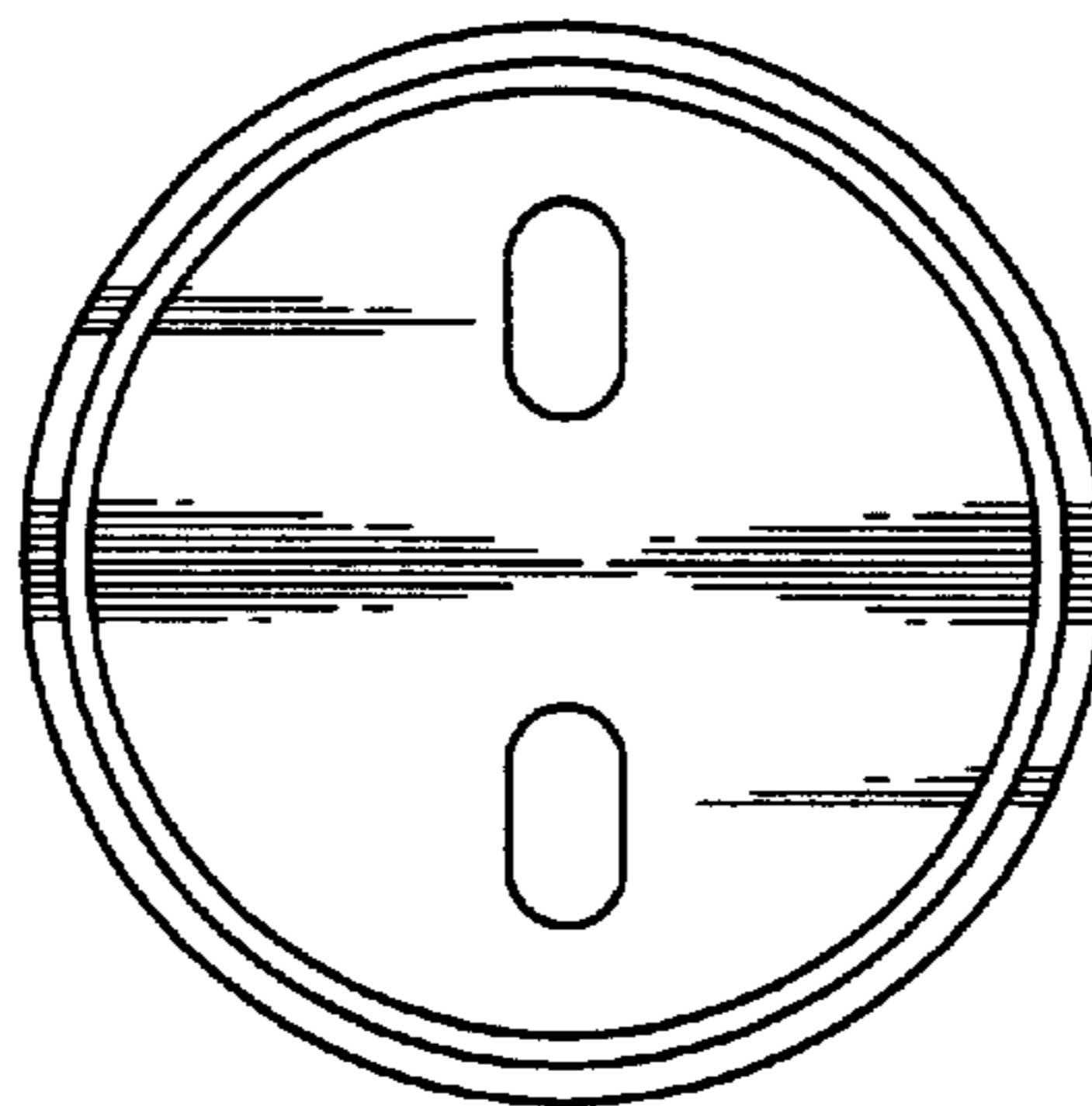


FIG. 3

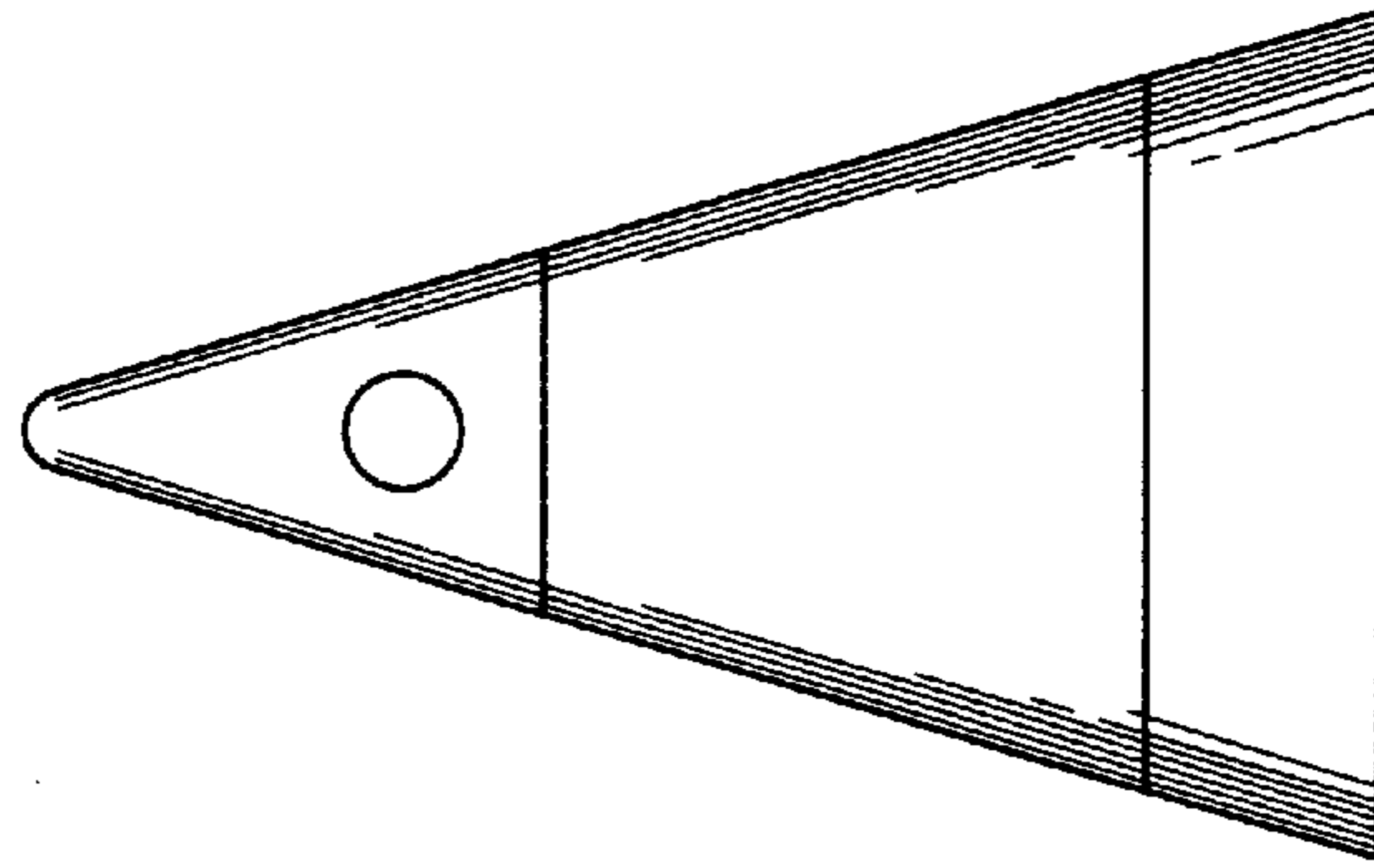


FIG. 4

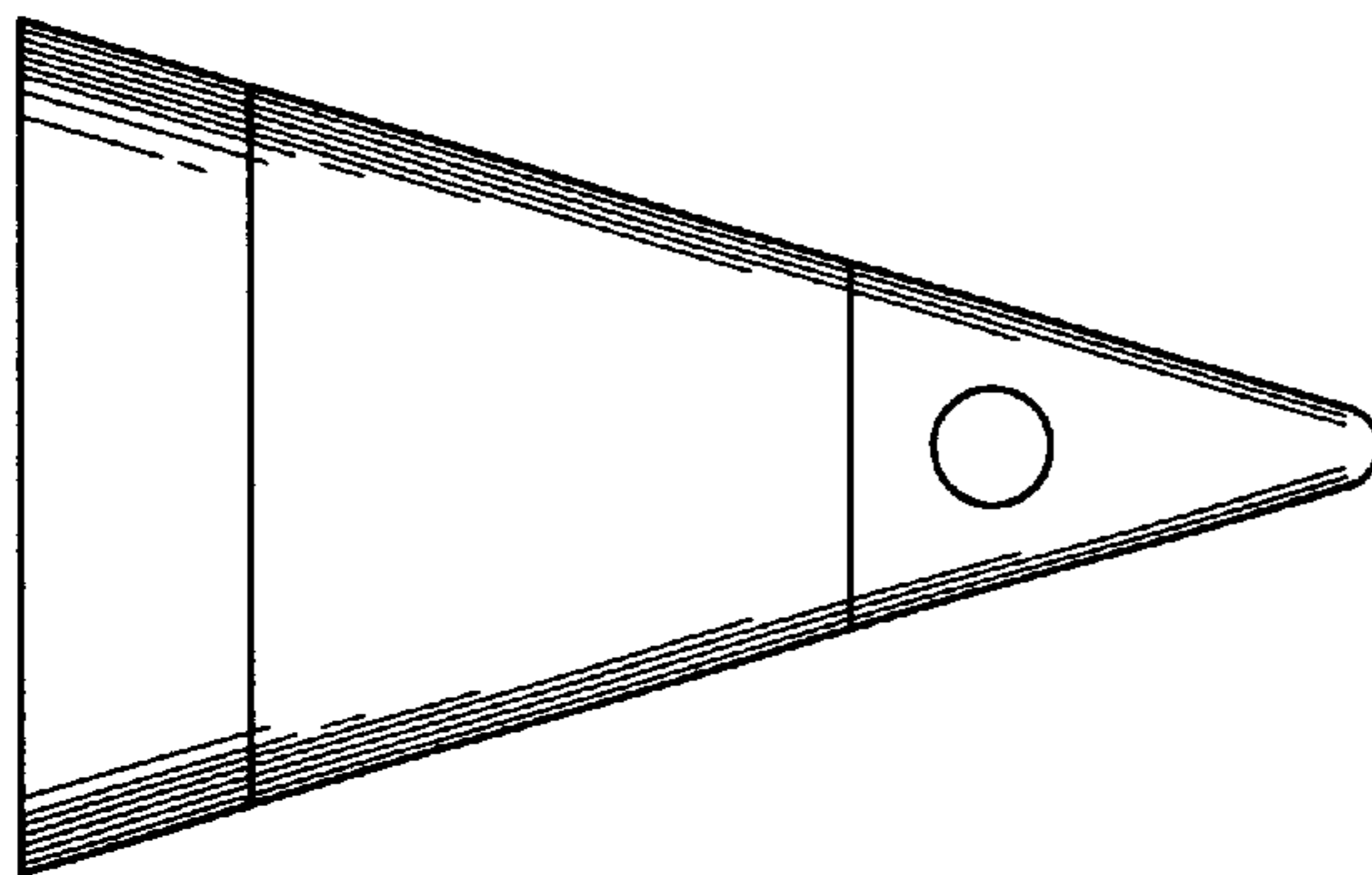


FIG. 5

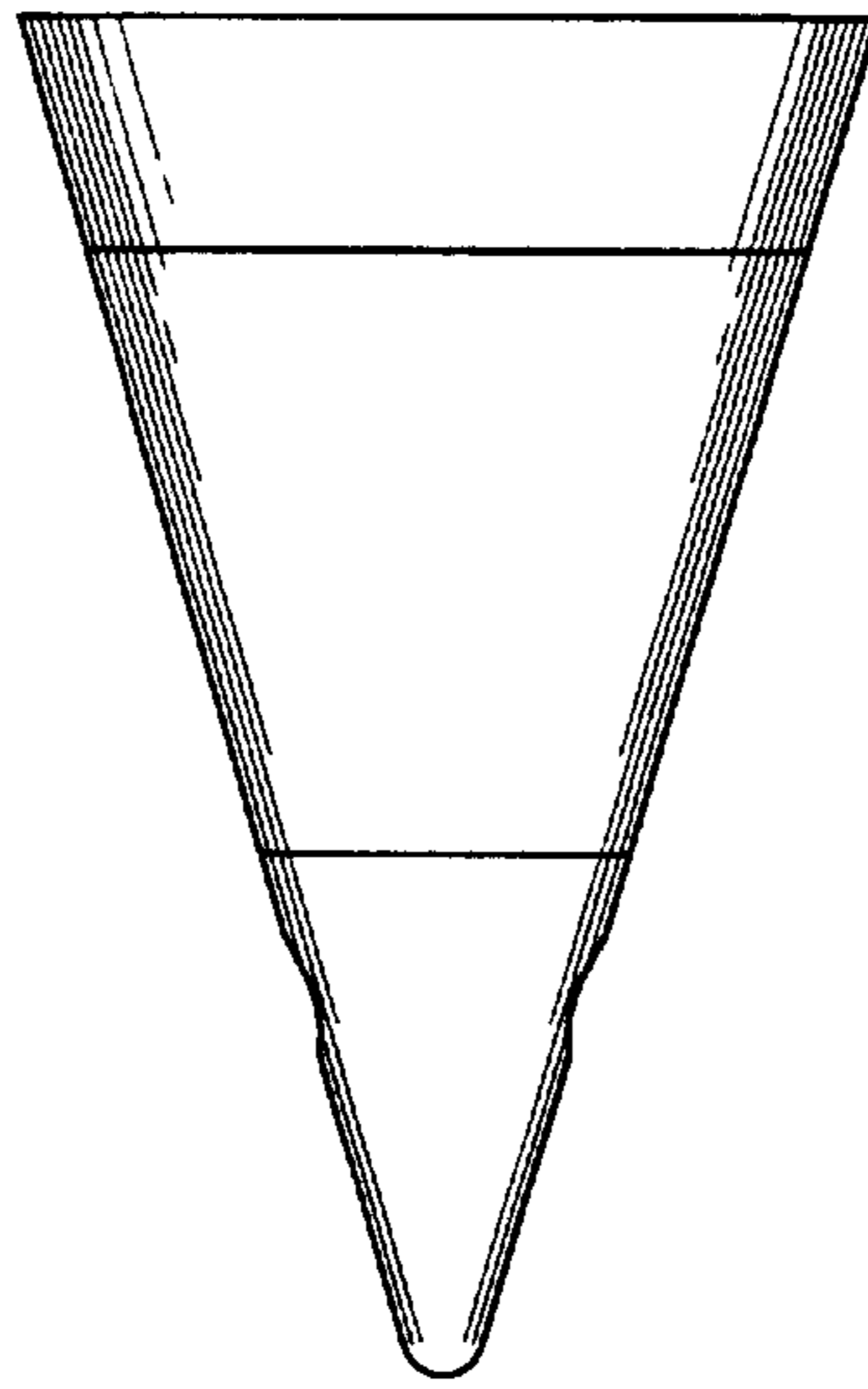


FIG. 6

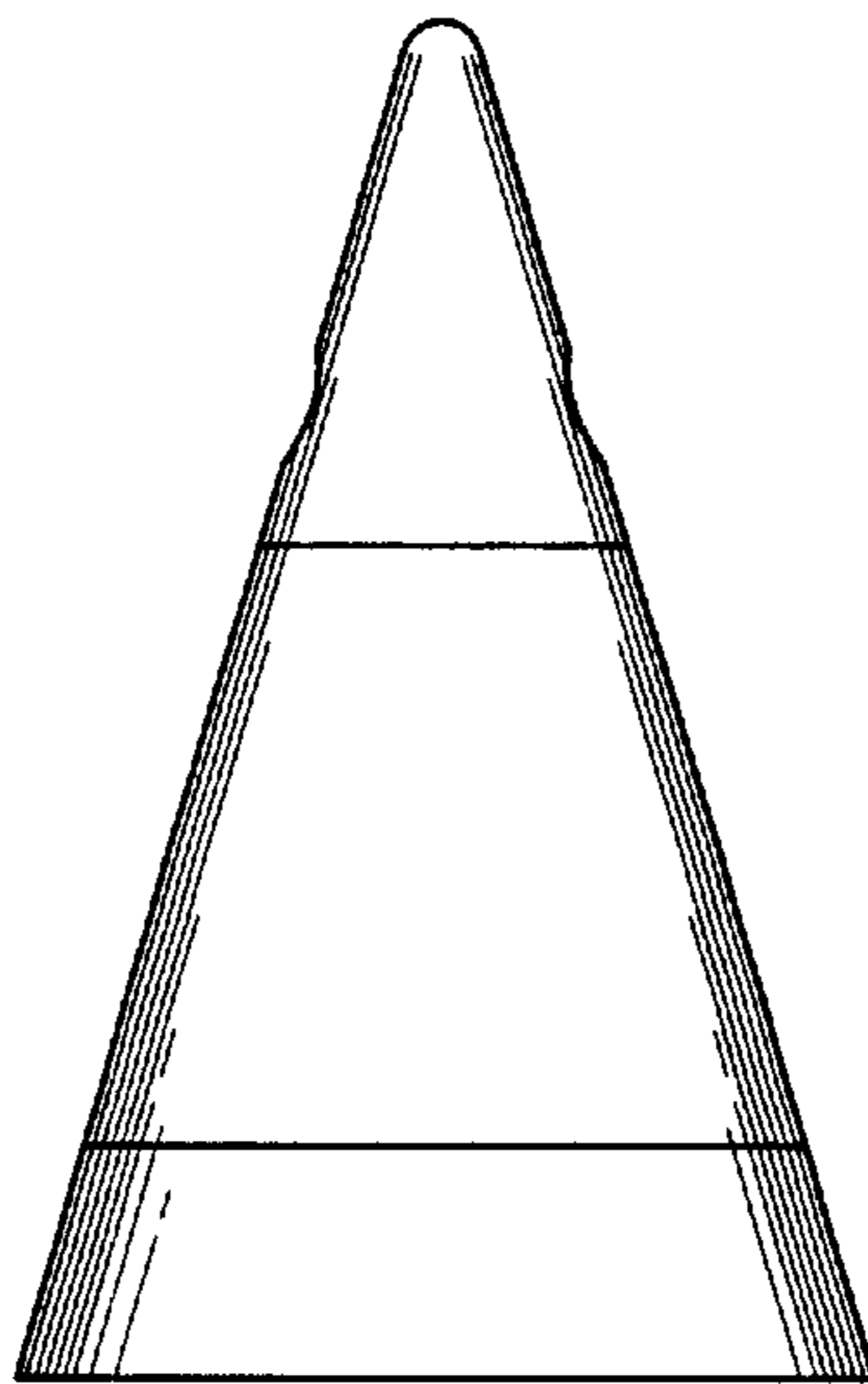


FIG. 7

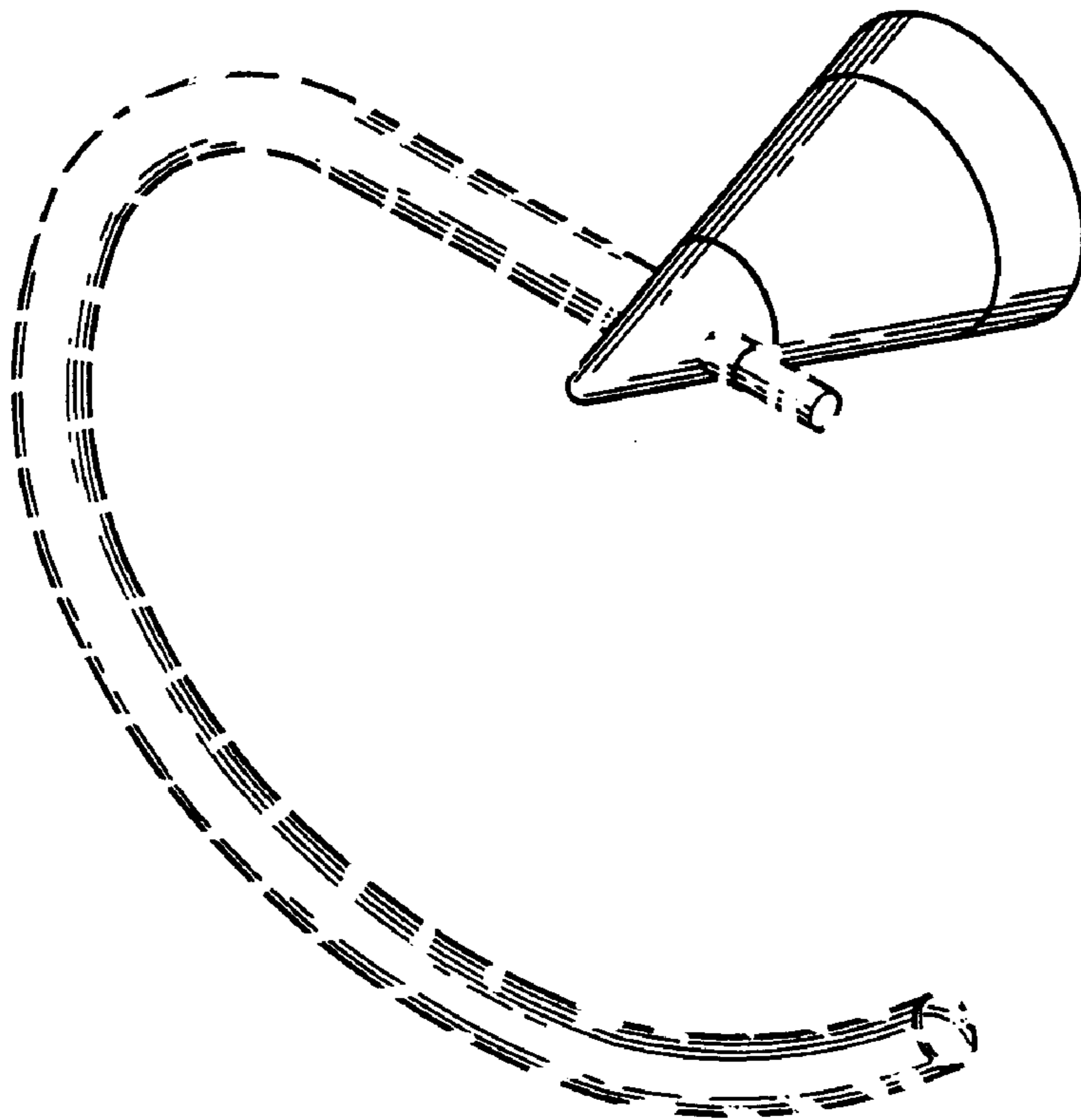


FIG.8

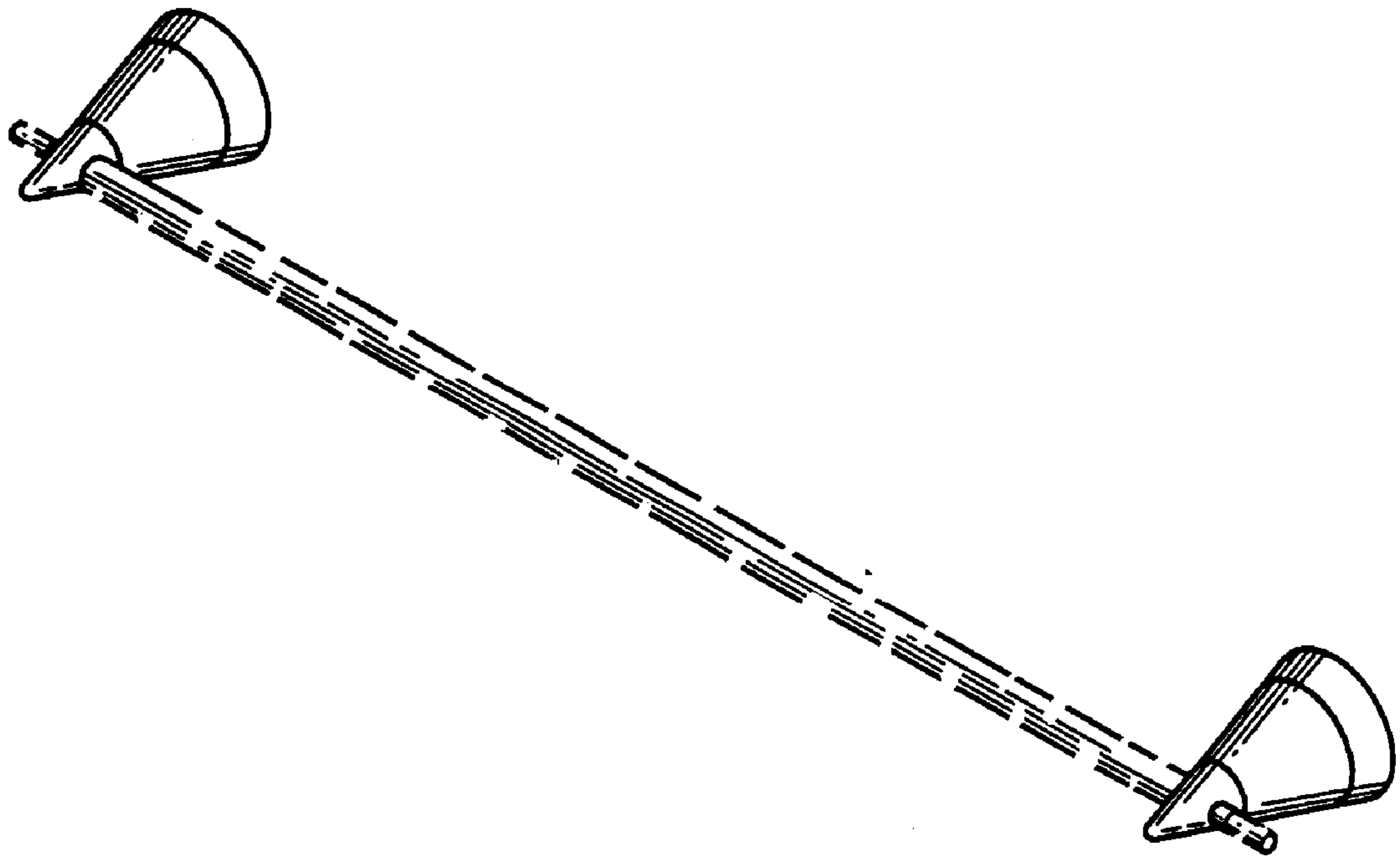


FIG. 9