



US00D462552S

(12) **United States Design Patent**
Emery et al.

(10) **Patent No.:** **US D462,552 S**

(45) **Date of Patent:** **** Sep. 10, 2002**

(54) **SUCTION POLE CADDY**

(75) Inventors: **William W. Emery**, Berkeley Heights, NJ (US); **Russell A. Fritts**, Warren, NJ (US)

(73) Assignee: **Better Sleep Inc.**, Berkeley Heights, NJ (US)

(**) Term: **14 Years**

(21) Appl. No.: **29/142,410**

(22) Filed: **May 24, 2001**

(51) **LOC (7) Cl.** **23-02**

(52) **U.S. Cl.** **D6/525; D6/570**

(58) **Field of Search** D6/524, 525, 562; 108/42, 59; 211/13.1, 86.01, 87.01, 88.01, 106, 126.1, 126.9, 134, 153, 181.1

(56) **References Cited**

U.S. PATENT DOCUMENTS

- D343,321 S * 1/1994 Emery D6/524 X
- D349,205 S * 8/1994 Khuhawar D6/525
- 5,348,168 A * 9/1994 Emery 211/88.01 X

- D351,751 S * 10/1994 Brightbill et al. D6/525
- D382,751 S * 8/1997 Andrus D6/525
- D417,991 S * 12/1999 Hofman et al. D6/525
- D419,020 S * 1/2000 Emery et al. D6/525 X
- D421,867 S * 3/2000 Carville et al. D6/525 X
- D443,162 S * 6/2001 Winter D6/525 X

* cited by examiner

Primary Examiner—Brian N. Vinson

(74) *Attorney, Agent, or Firm*—Greenberg Traurig, LLP

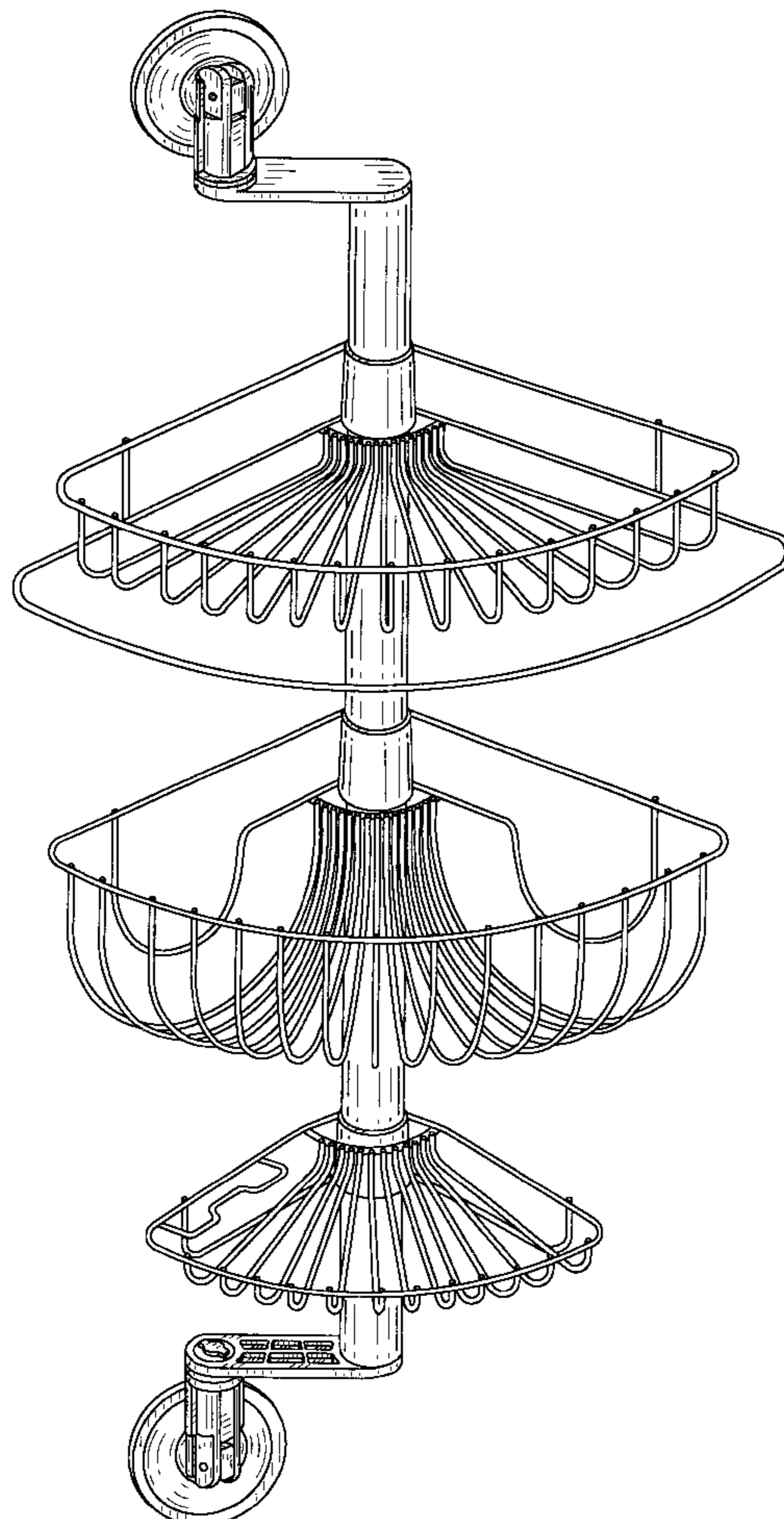
(57) **CLAIM**

The ornamental design for a suction pole caddy, as shown and described.

DESCRIPTION

FIG. 1 is a perspective view of a suction pole caddy showing my new design;
 FIG. 2 is a top plan view of the suction pole caddy;
 FIG. 3 is a bottom plan view of the suction pole caddy;
 FIG. 4 is a left side view of the suction pole caddy;
 FIG. 5 is a right side view of the suction pole caddy;
 FIG. 6 is a front view of the suction pole caddy; and,
 FIG. 7 is a rear view of the suction pole caddy.

1 Claim, 6 Drawing Sheets



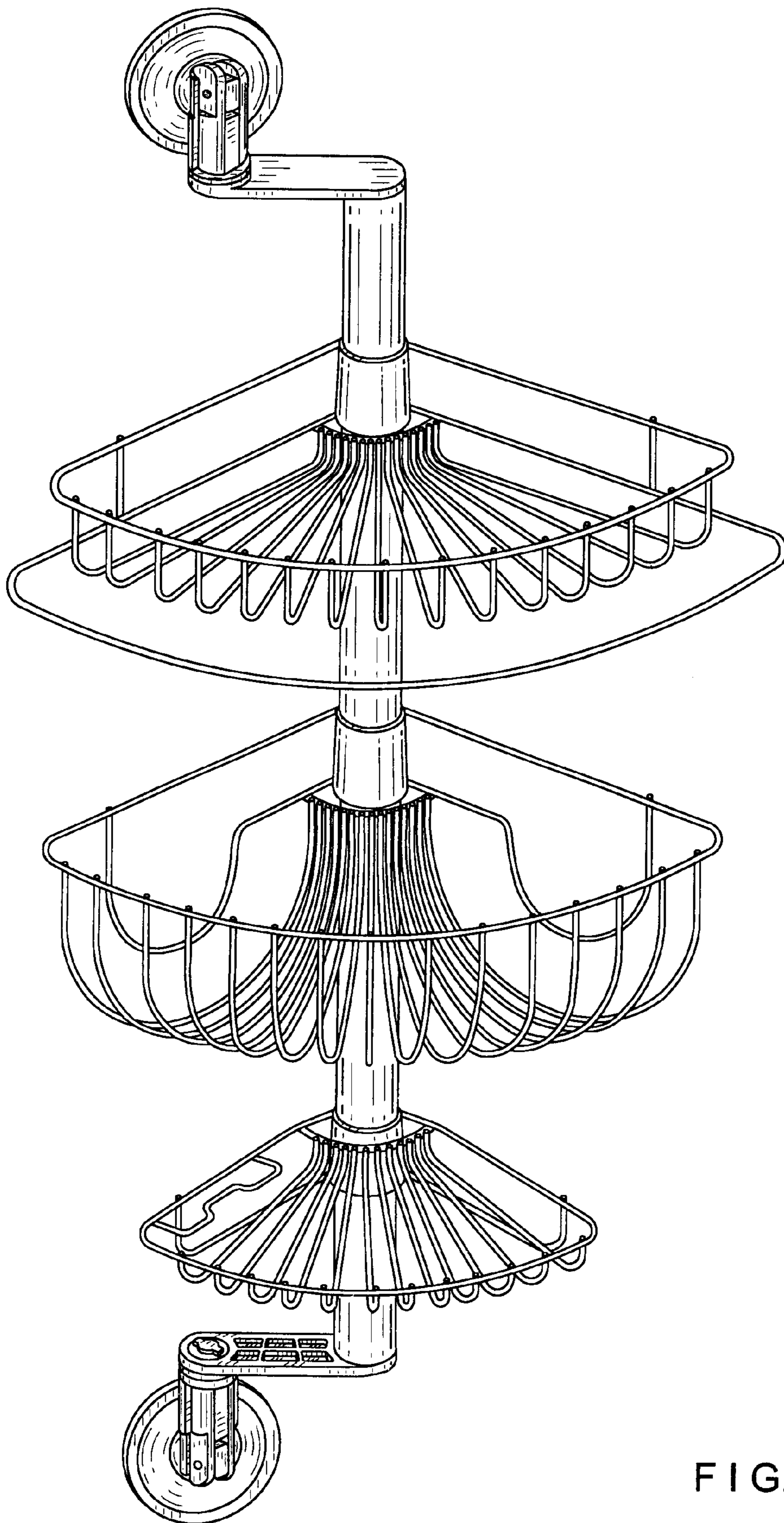


FIG. 1

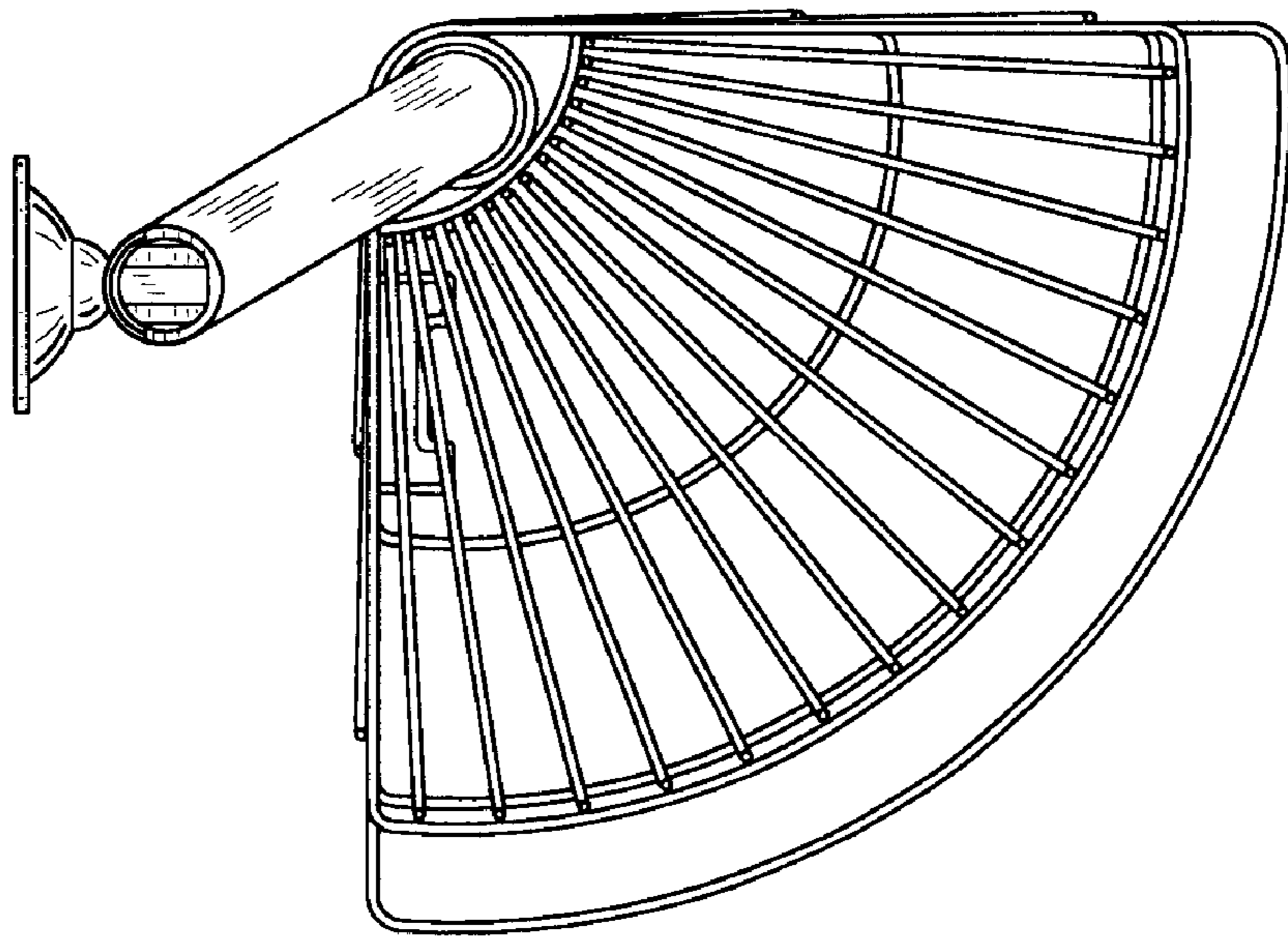


FIG. 2

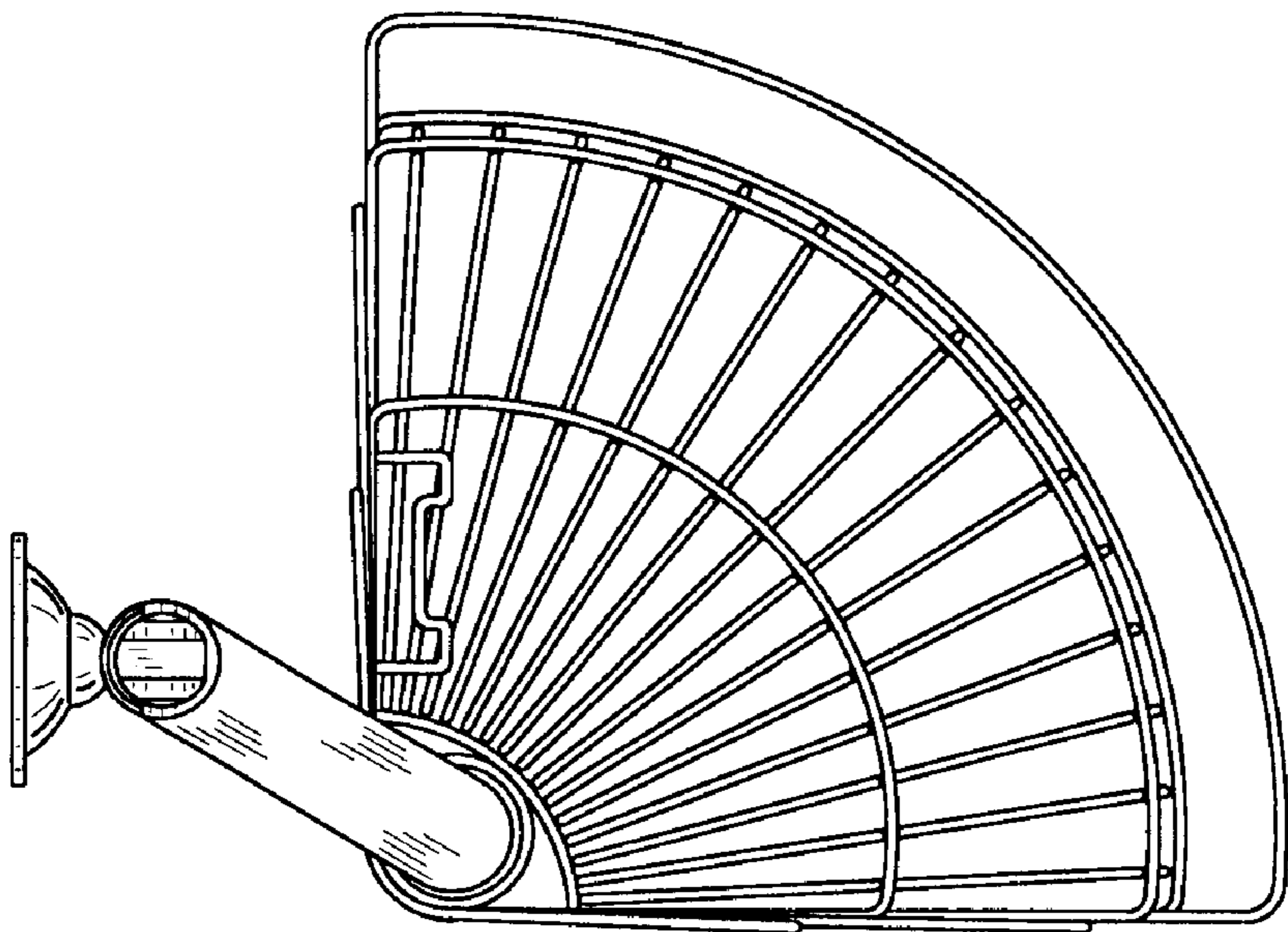


FIG. 3

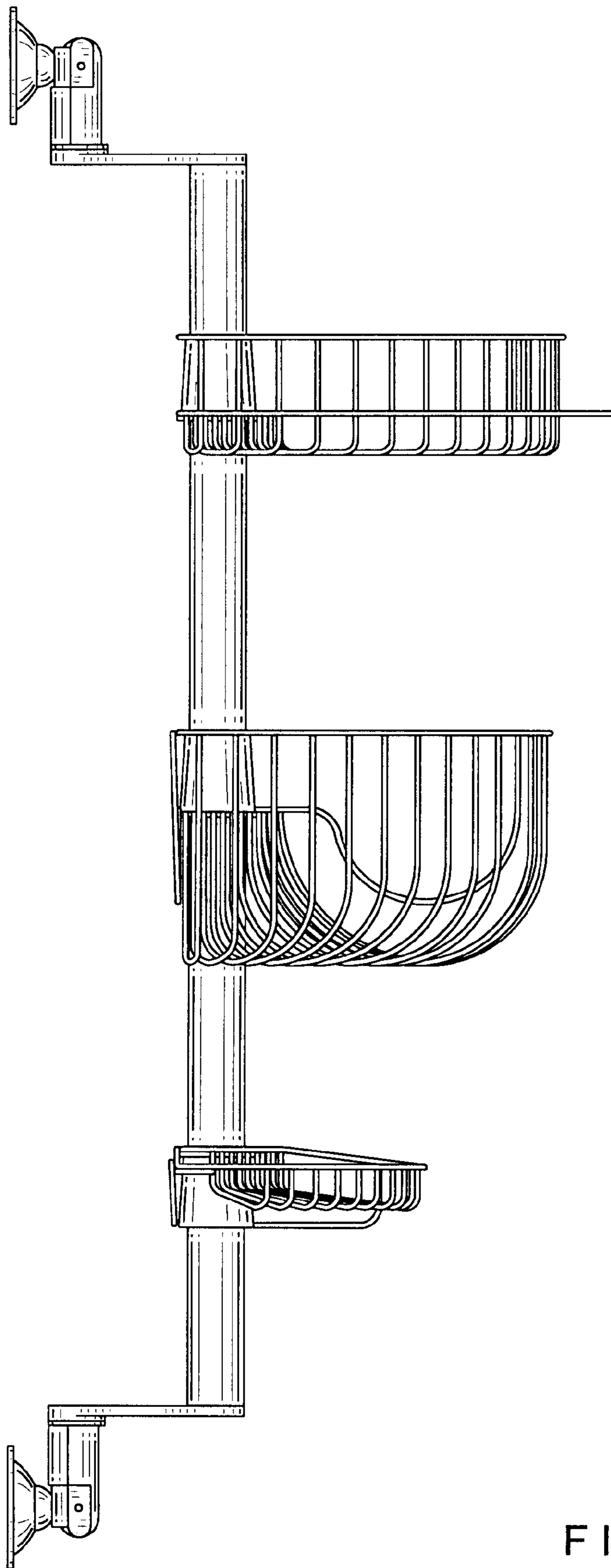


FIG. 4

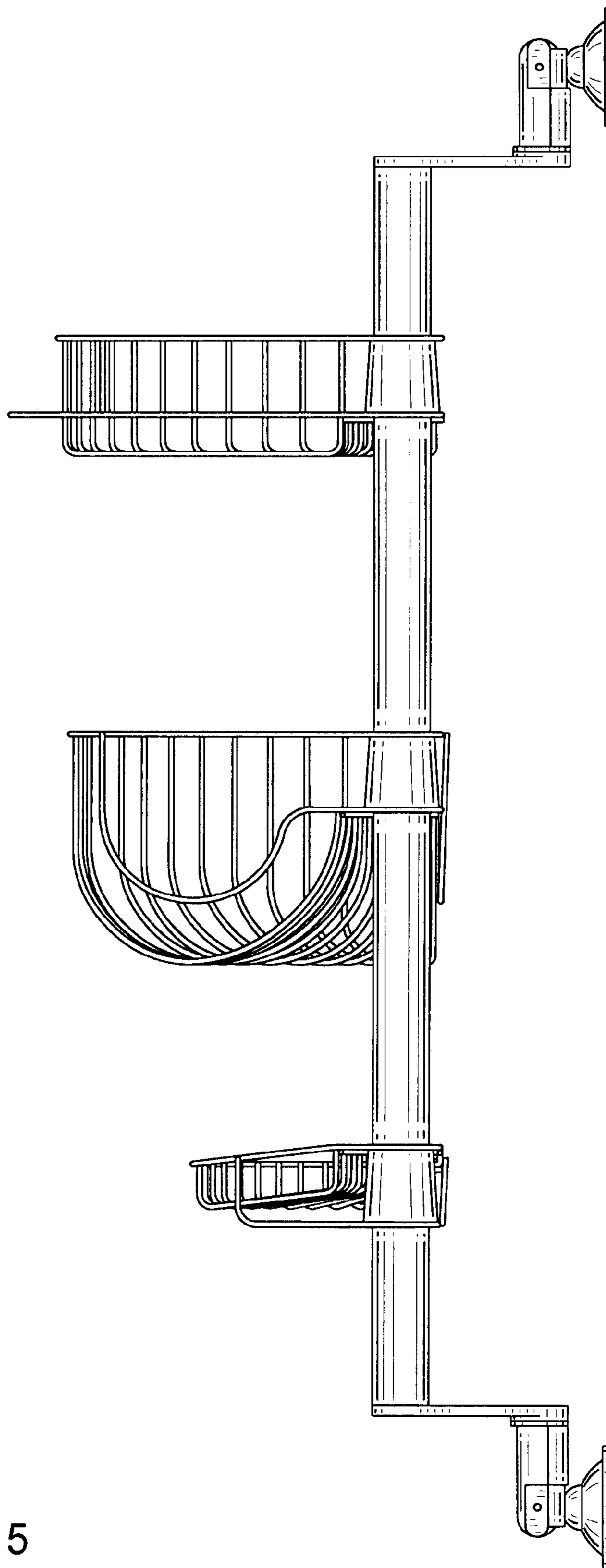


FIG. 5

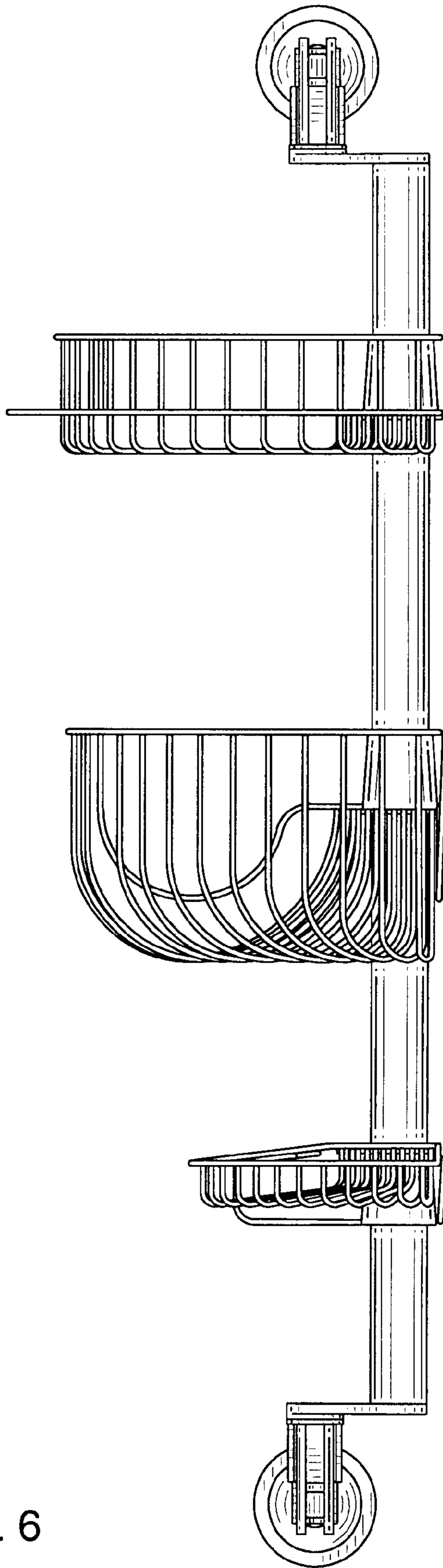


FIG. 6

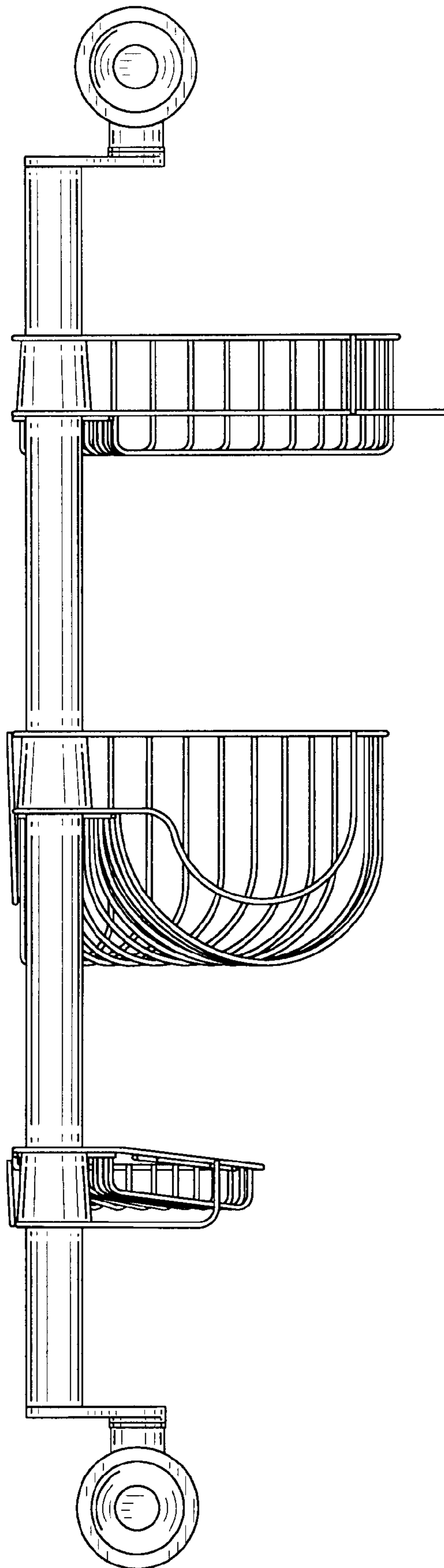


FIG. 7