



US00D462551S

(12) **United States Design Patent**
Mayer

(10) **Patent No.: US D462,551 S**

(45) **Date of Patent: ** *Sep. 10, 2002**

(54) **TOILET TISSUE COVER**

(76) **Inventor: Maurice Mayer**, 17200 Newhope St.,
Unit #105, Fountain Valley, CA (US)
92708

(*) **Notice:** This patent is subject to a terminal dis-
claimer.

(**) **Term:** **14 Years**

(21) **Appl. No.: 29/116,535**

(22) **Filed:** **Jan. 4, 2000**

(51) **LOC (7) Cl.** **23-02**

(52) **U.S. Cl.** **D6/523**

(58) **Field of Search** D6/518-523; 206/389-90;
211/13.1; 242/560, 570, 595, 598; 248/176.1;
312/34.8

(56) **References Cited**

U.S. PATENT DOCUMENTS

2,649,255	A	*	8/1953	Smallen	312/34.8	X
D259,682	S	*	6/1981	Standing	D6/523	
D260,952	S		9/1981	Perez	6/86.91	
D261,452	S		10/1981	Chandler	D6/86.97	

4,427,159	A	*	1/1984	Miller et al.	242/560	
D283,383	S		4/1986	Derrickson	D6/523	
4,721,264	A	*	1/1988	Muscarello	206/390	X
4,739,943	A		4/1988	Geller	242/590	
4,804,149	A		2/1989	Murphy	242/55.3	
D303,890	S		10/1989	Pilot	D6/523	
D393,770	S		4/1998	Daly	D6/523	
D397,891	S		9/1998	Thompson	D6/523	
D438,414	S	*	3/2001	Miller	D6/523	

* cited by examiner

Primary Examiner—Brian N. Vinson

(57) **CLAIM**

The ornamental design for a toilet tissue cover, as shown.

DESCRIPTION

FIG. 1 is a perspective view of a "toilet tissue cover"
FIG. 2 is a top plan view thereof;
FIG. 3 is a bottom plan view thereof;
FIG. 4 is a front elevation view thereof;
FIG. 5 is a right side elevation view thereof;
FIG. 6 is a rear elevation view thereof; and,
FIG. 7 is a left side elevation view thereof.

1 Claim, 1 Drawing Sheet

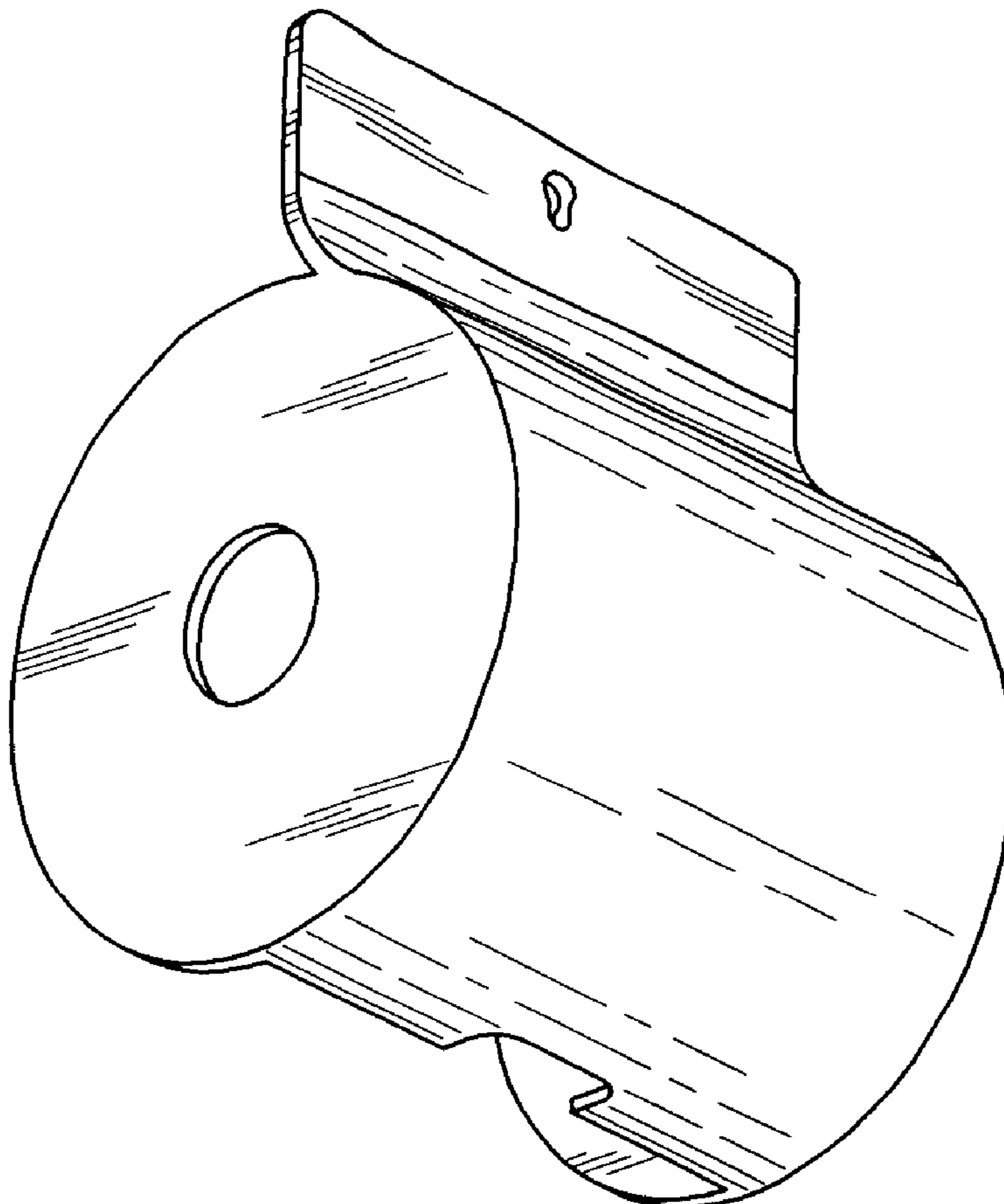


Fig. 1

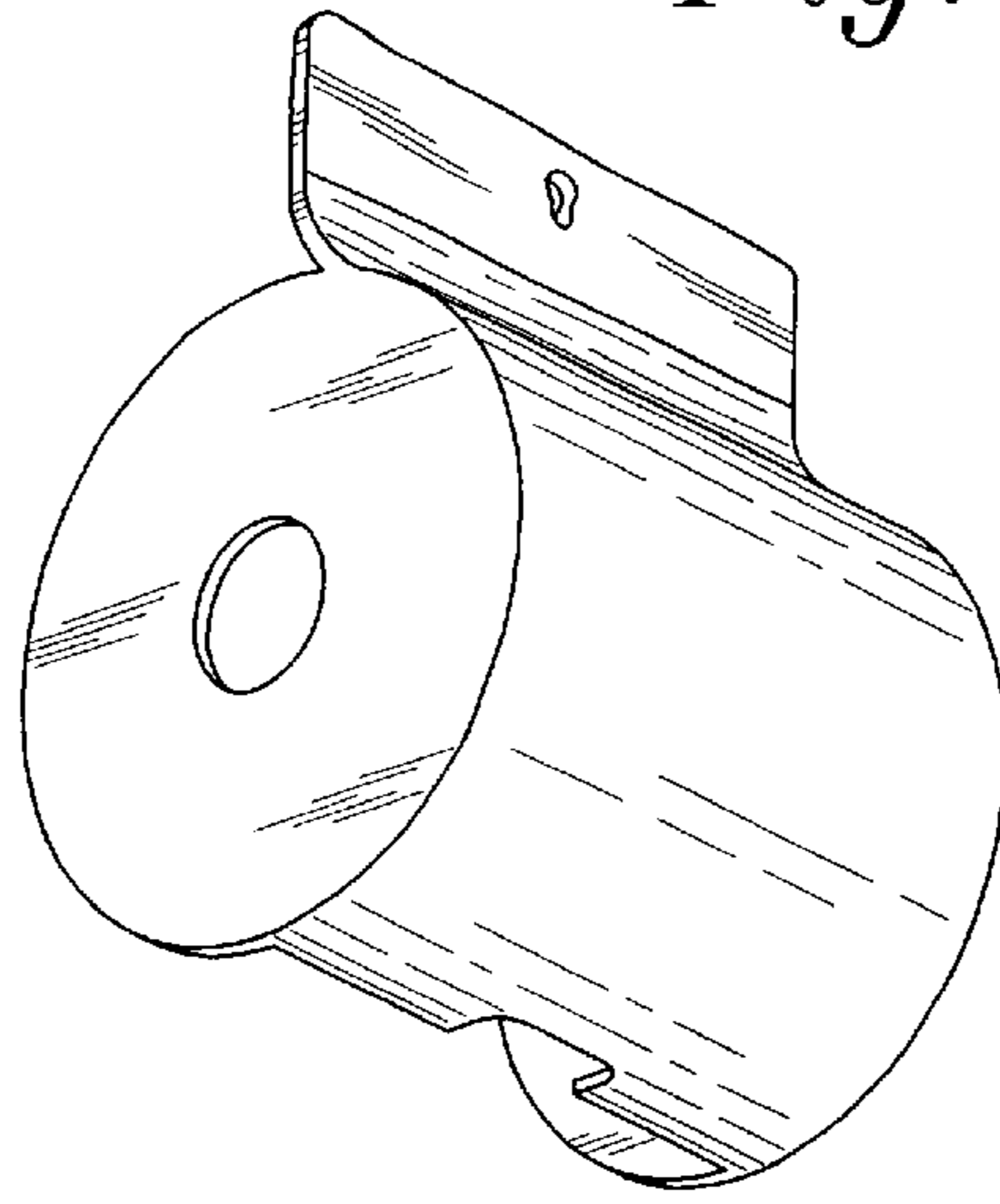


Fig. 2

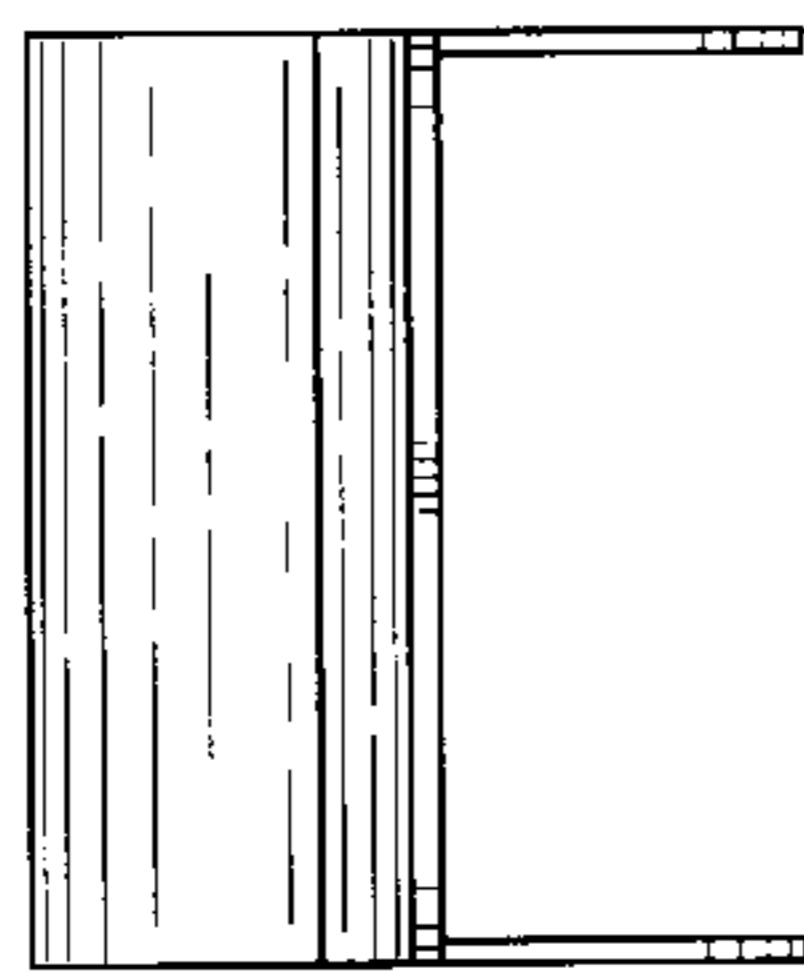


Fig. 3

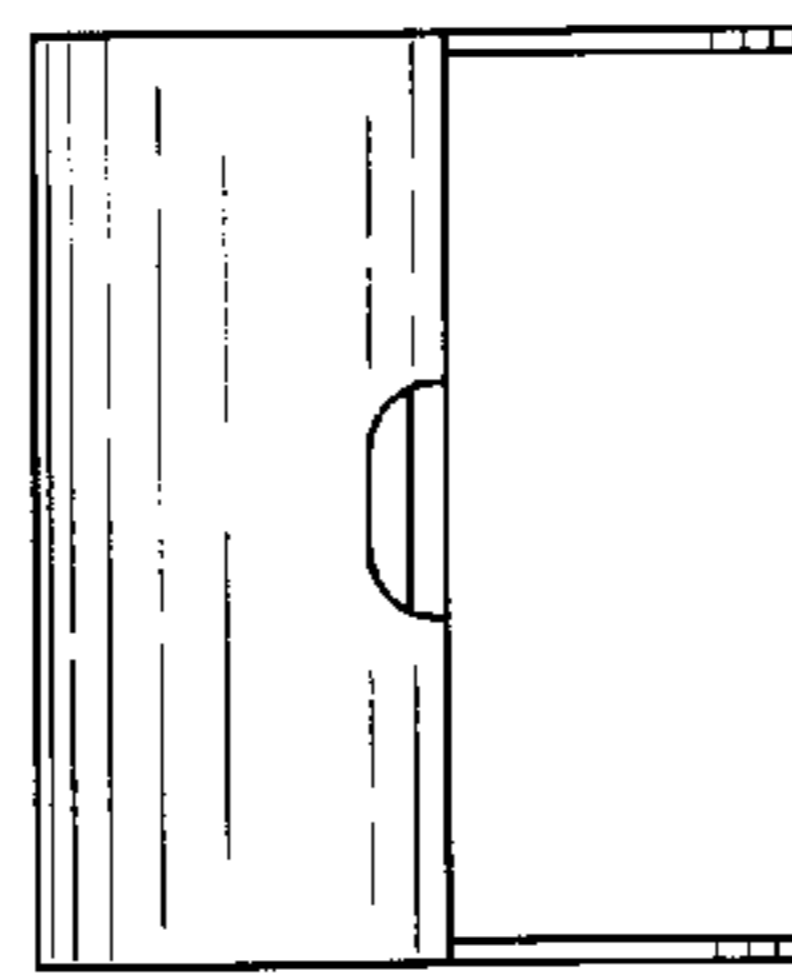


Fig. 4

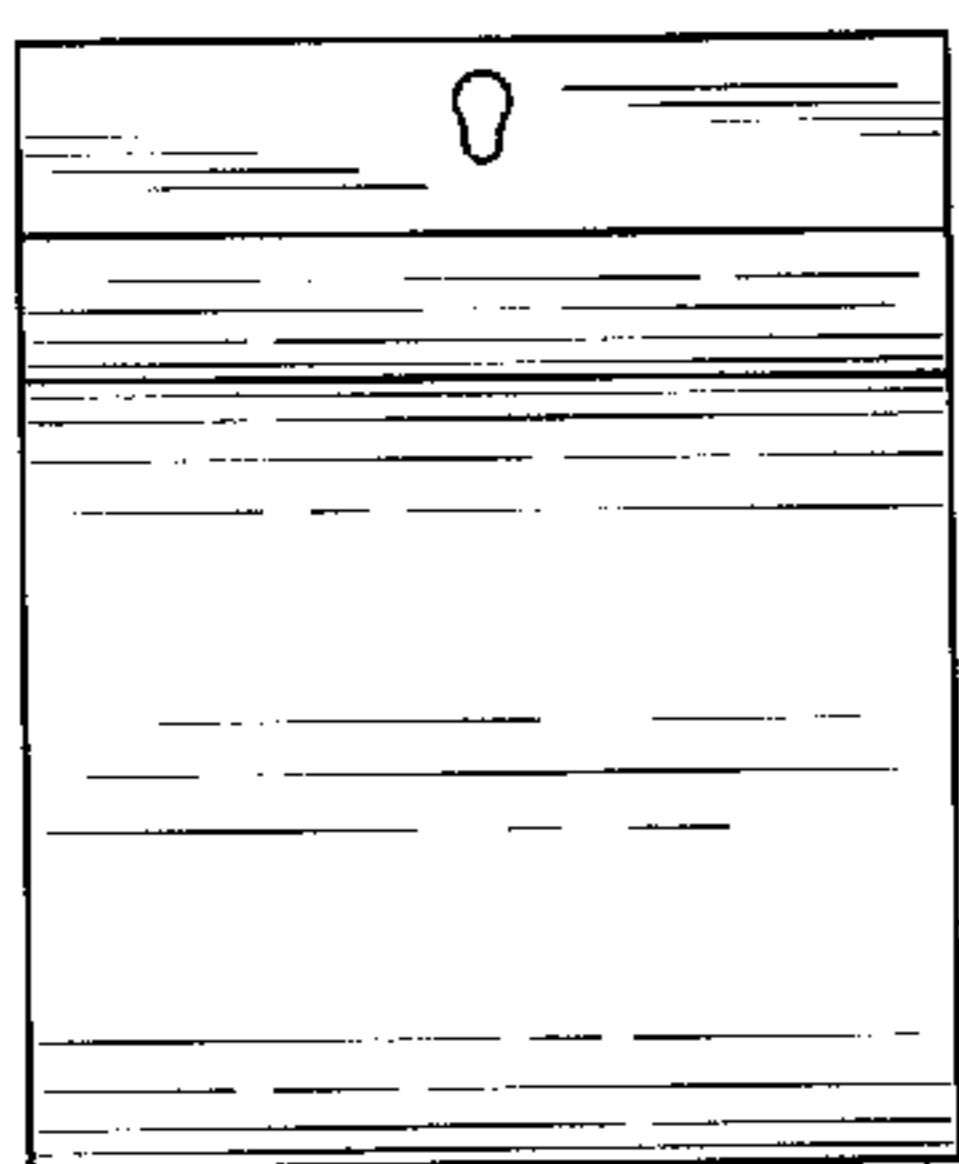


Fig. 5

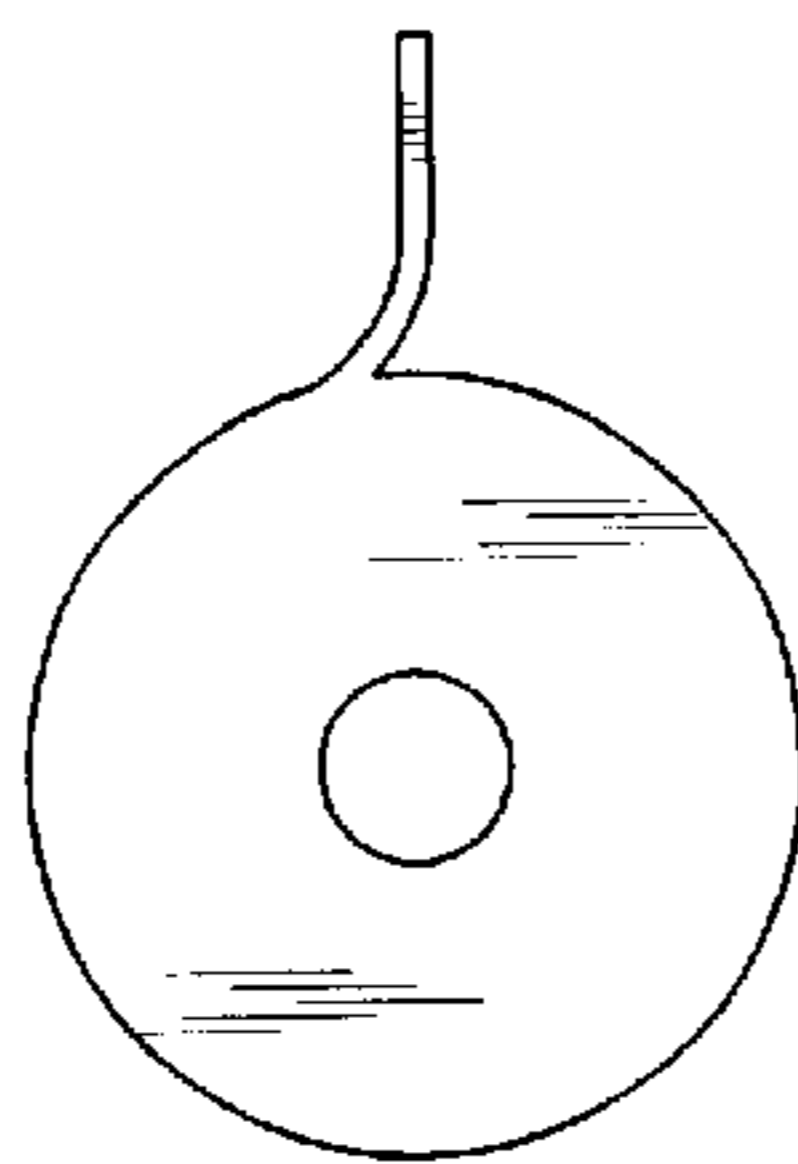


Fig. 6

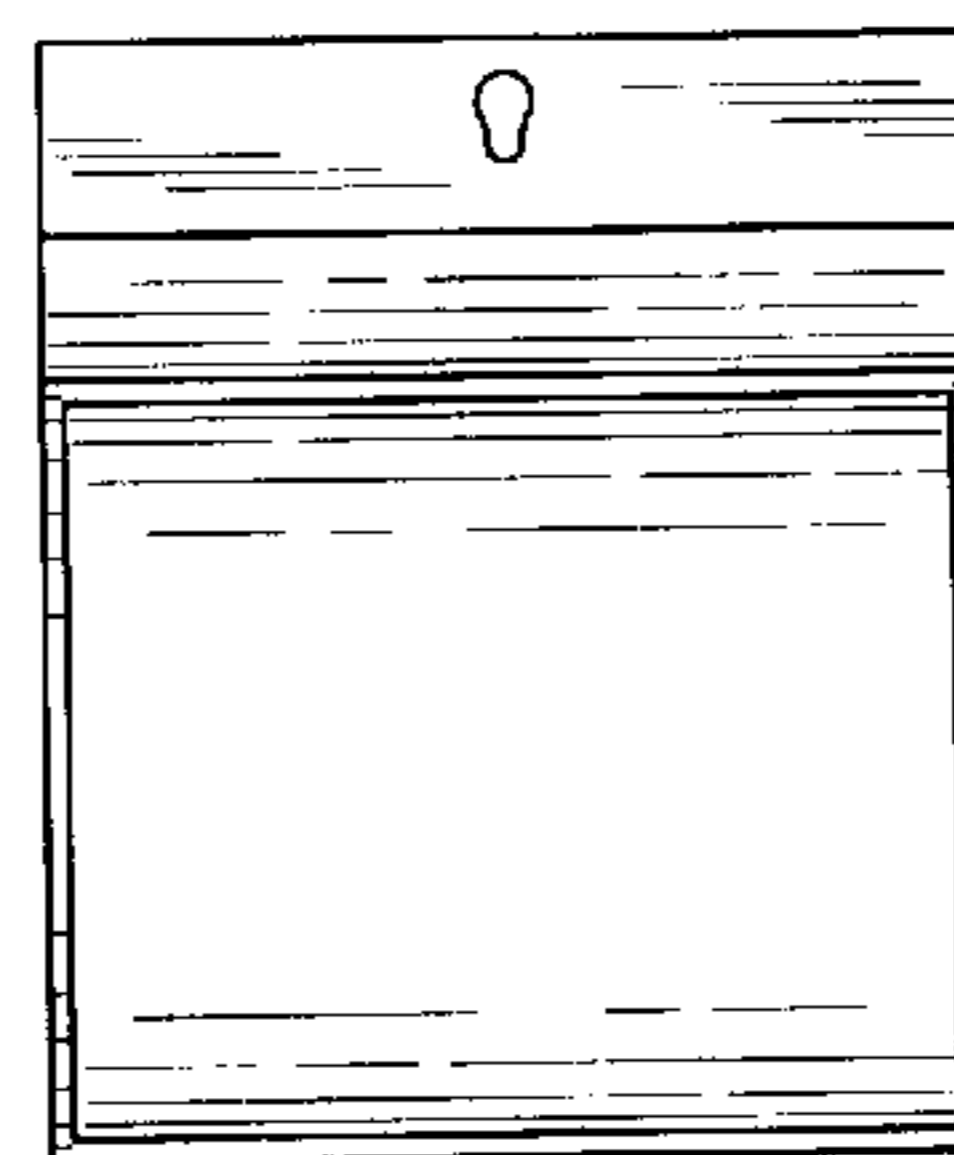


Fig. 7

