



US00D462549S

(12) **United States Design Patent**
Chu

(10) **Patent No.:** **US D462,549 S**

(45) **Date of Patent:** **** Sep. 10, 2002**

(54) **CHAIR ARM**

D403,518 S * 1/1999 Wilson D6/366
D446,955 S * 8/2001 Zemp D6/366

(75) Inventor: **Zoocy C. Chu**, Ada, MI (US)

* cited by examiner

(73) Assignee: **Jyi Hua Enterprise Co., Ltd.**, Tainan (TW)

Primary Examiner—Gary D. Watson
(74) *Attorney, Agent, or Firm*—Alan Kamrath; Rider, Bennett, Egan & Arundel, LLP

(**) Term: **14 Years**

(57) **CLAIM**

(21) Appl. No.: **29/151,767**

The ornamental design for a chair arm, as shown and described.

(22) Filed: **Nov. 6, 2001**

(51) **LOC (7) Cl.** **06-06**

DESCRIPTION

(52) **U.S. Cl.** **D6/501**; D6/366

(58) **Field of Search** D6/334, 364, 365,
D6/366, 367, 500, 501, 502; 297/411.2,
411.27

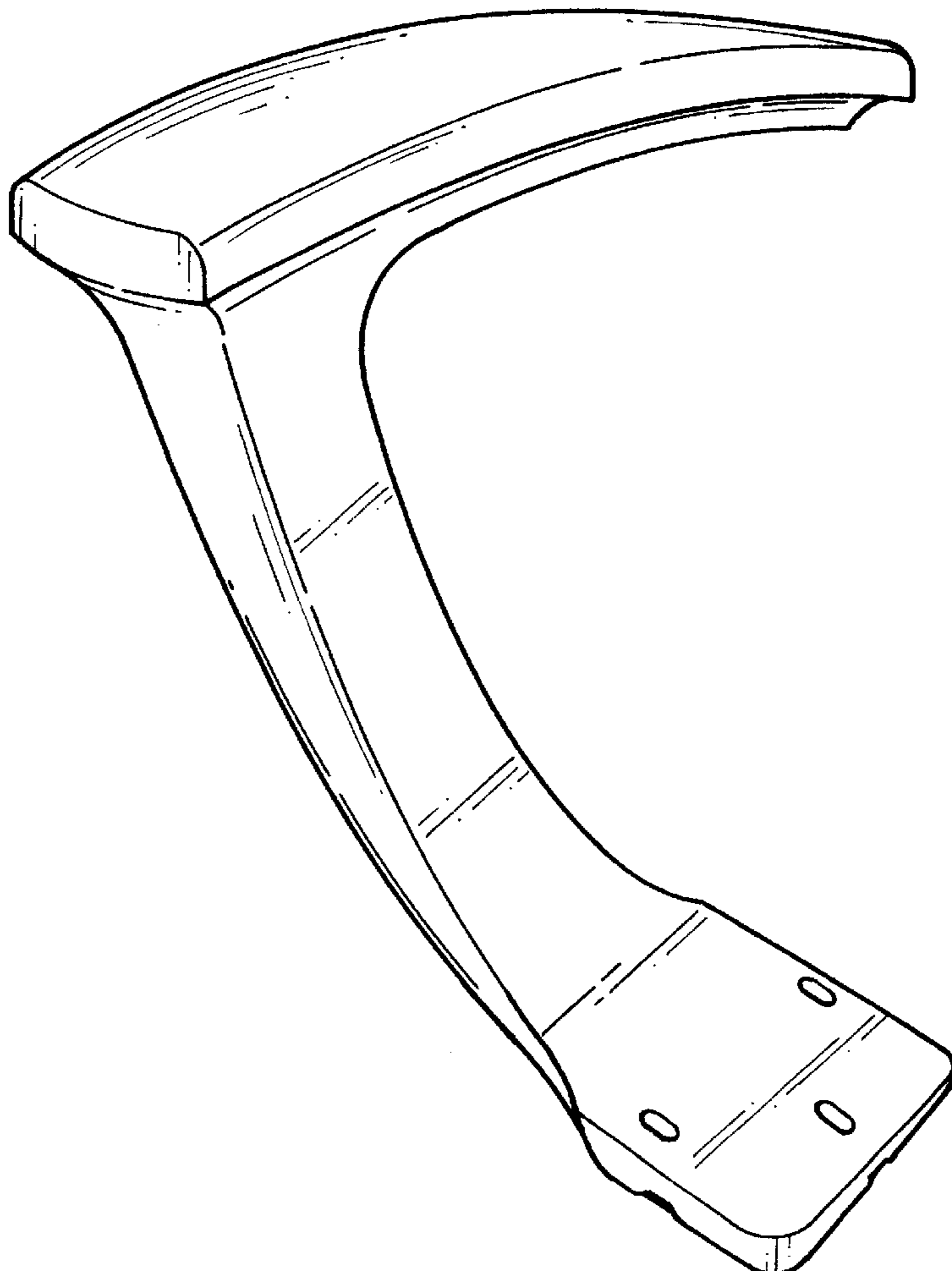
FIG. 1 is a perspective view of a chair arm showing my new design;
FIG. 2 is a front elevational view thereof;
FIG. 3 is a rear elevational view thereof;
FIG. 4 is a left side elevational view thereof;
FIG. 5 is a right side elevational view thereof;
FIG. 6 is a top plan view thereof; and,
FIG. 7 is a bottom plan view thereof.

(56) **References Cited**

U.S. PATENT DOCUMENTS

D371,683 S * 7/1996 Tolleson et al. D6/366
D391,089 S * 2/1998 Chu D6/366
D393,765 S * 4/1998 Chu D6/501

1 Claim, 7 Drawing Sheets



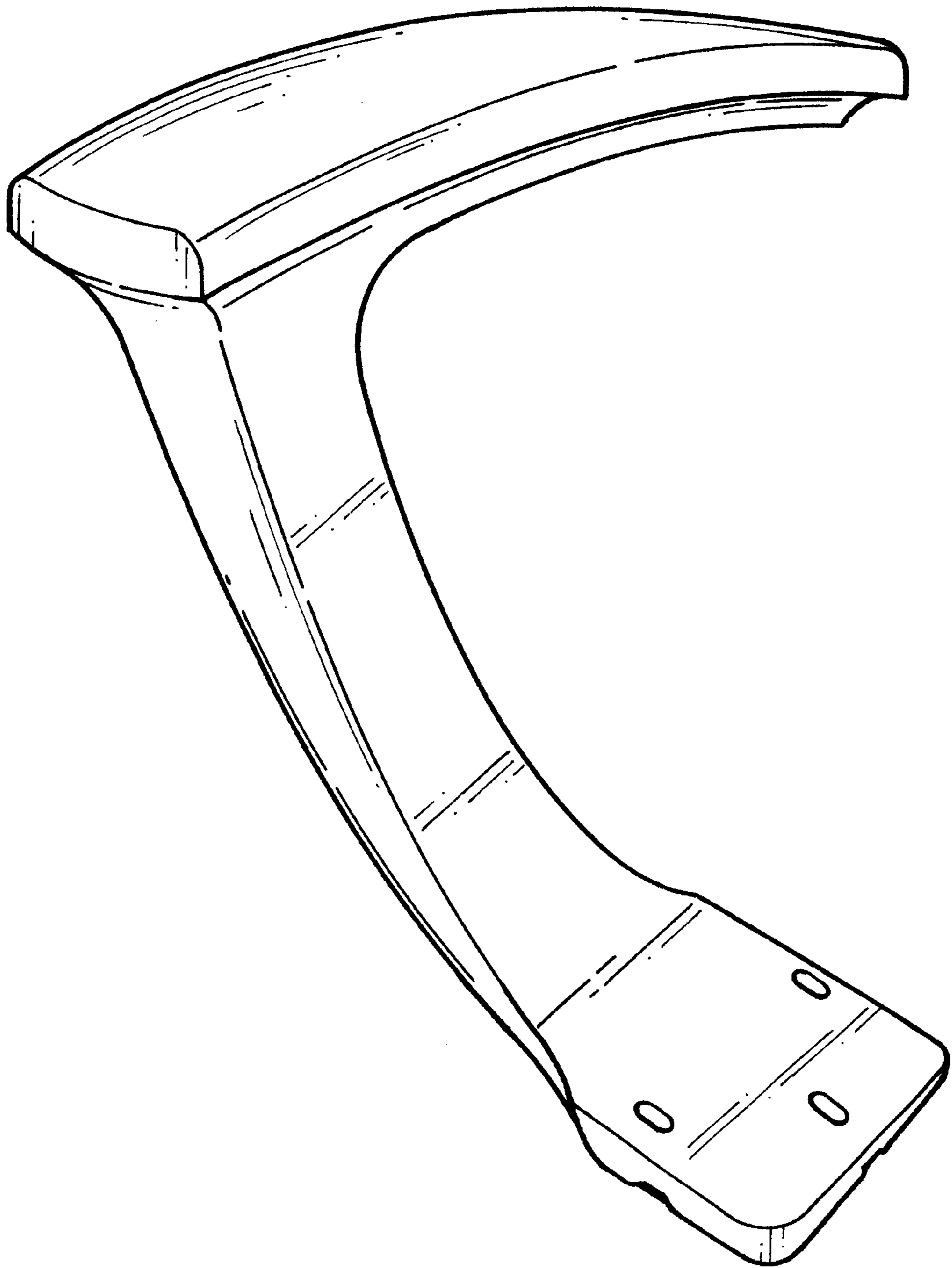


FIG. 1

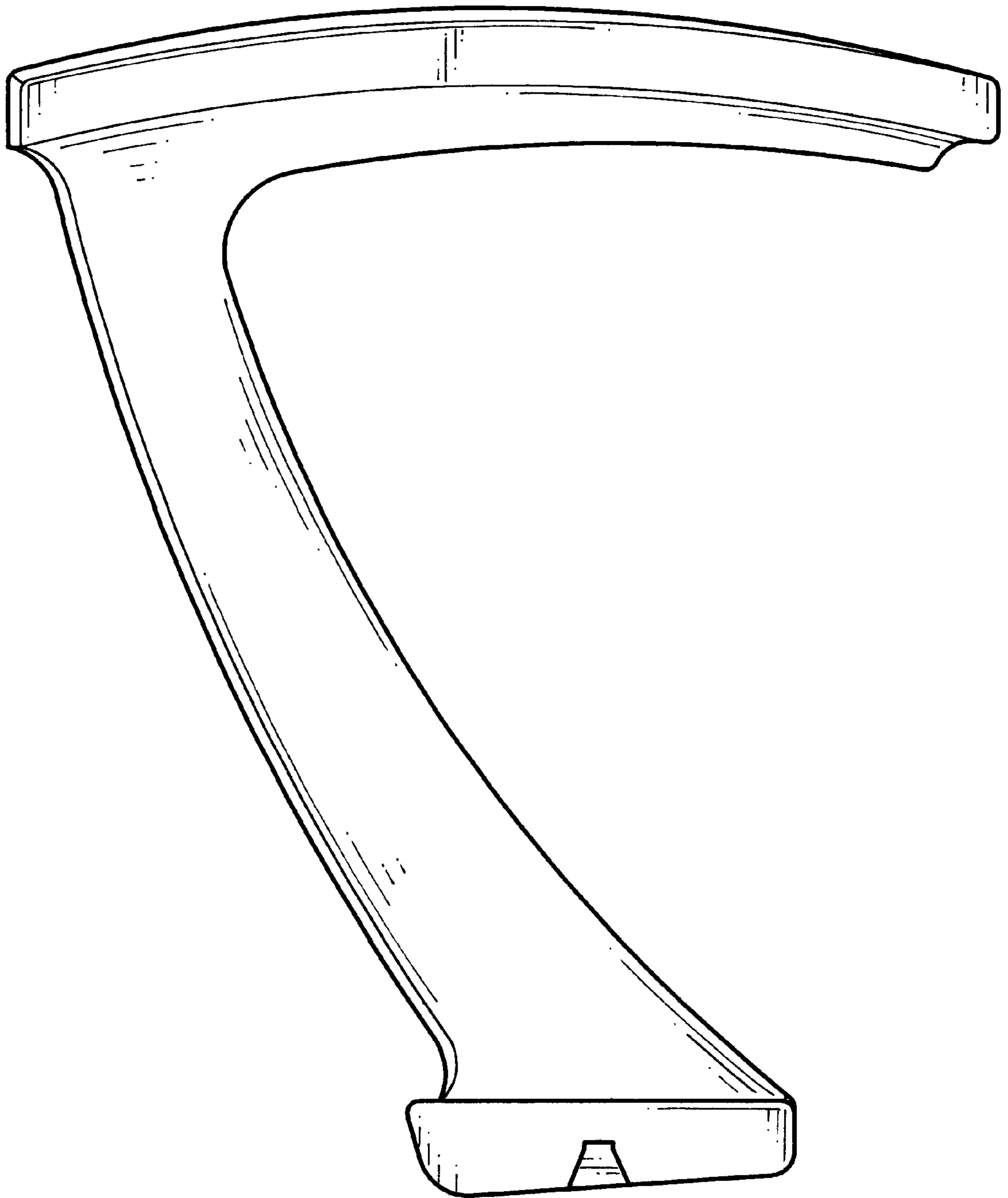


FIG. 2

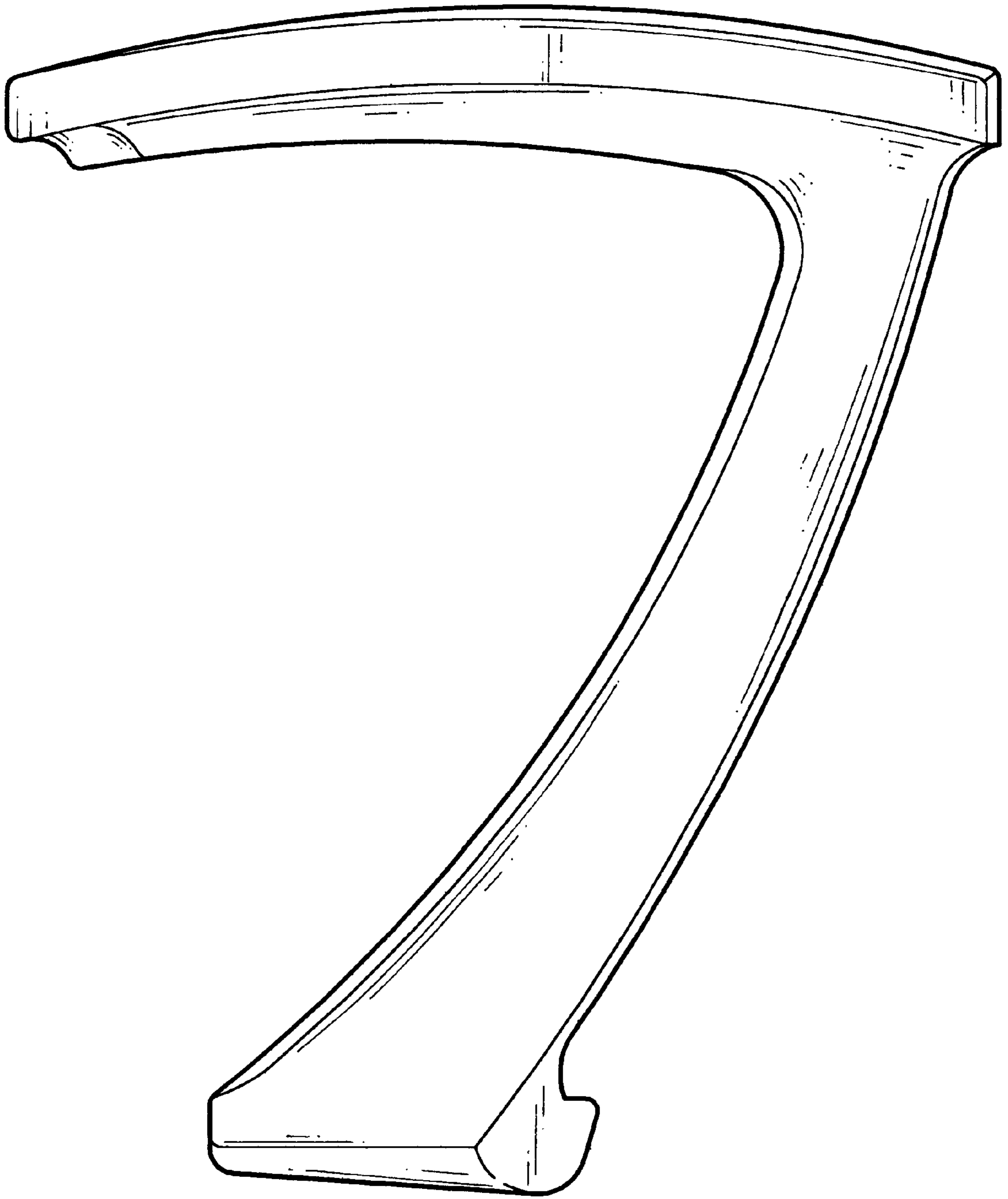


FIG. 3

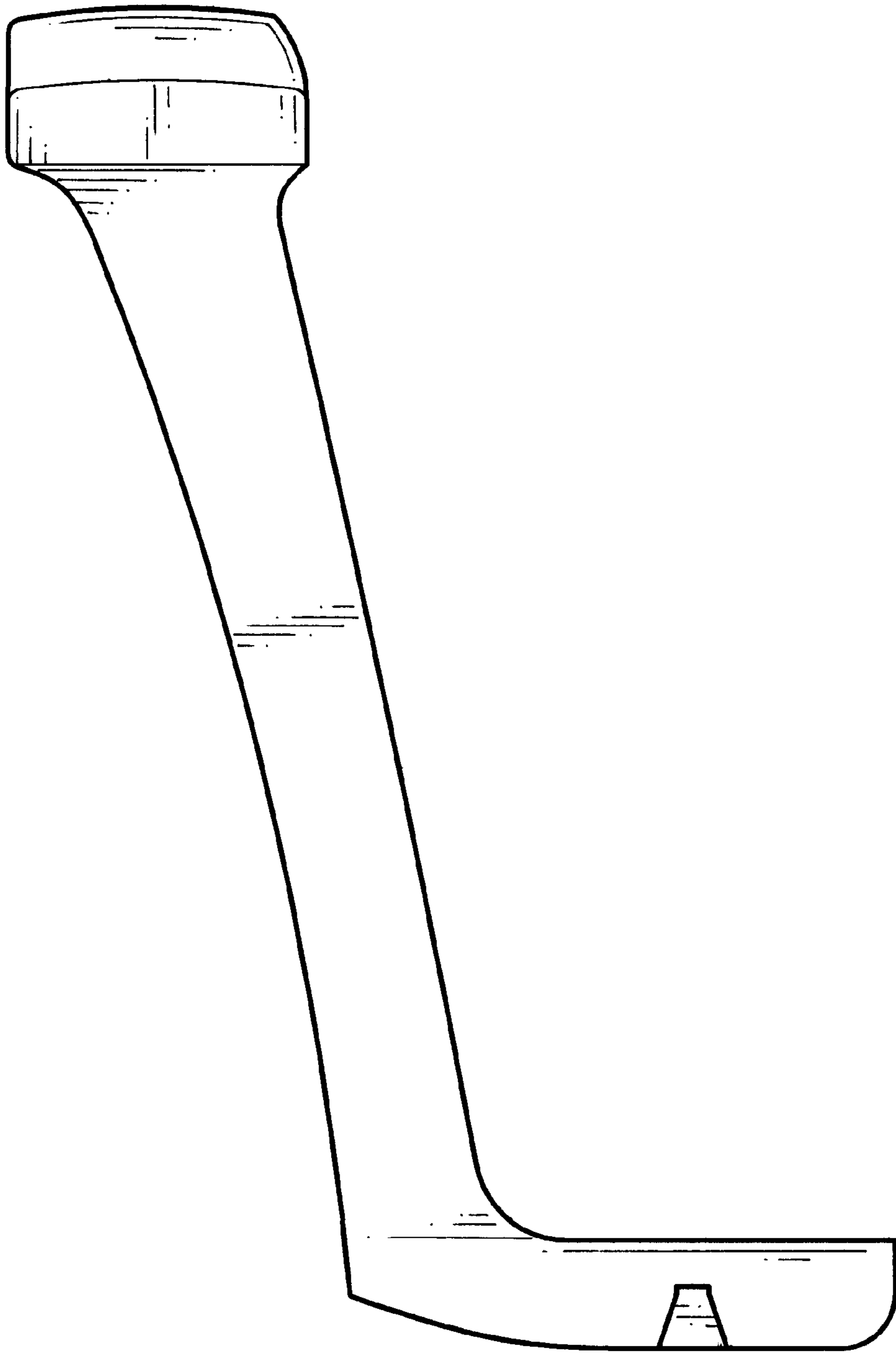


FIG. 4

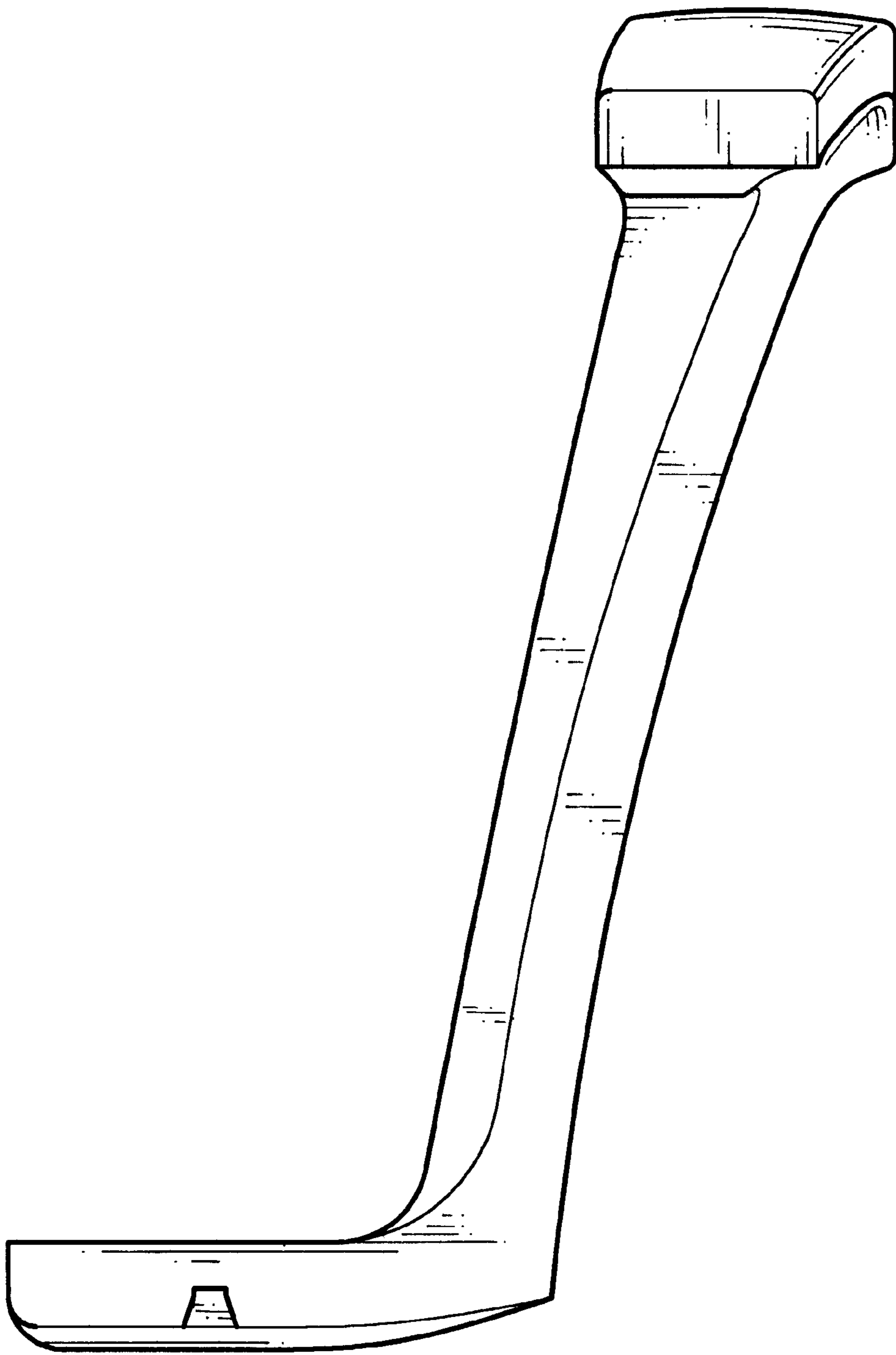


FIG. 5

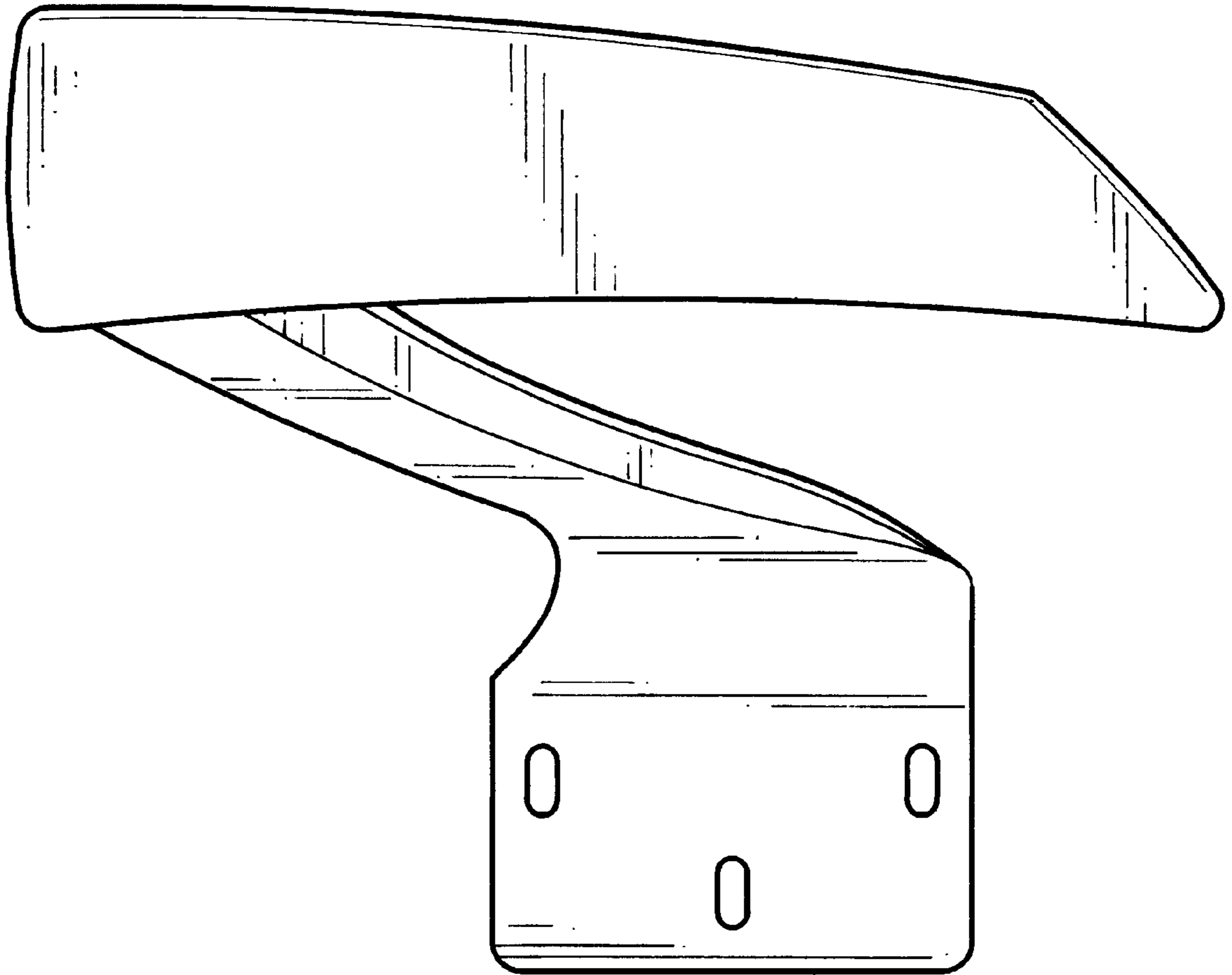


FIG. 6

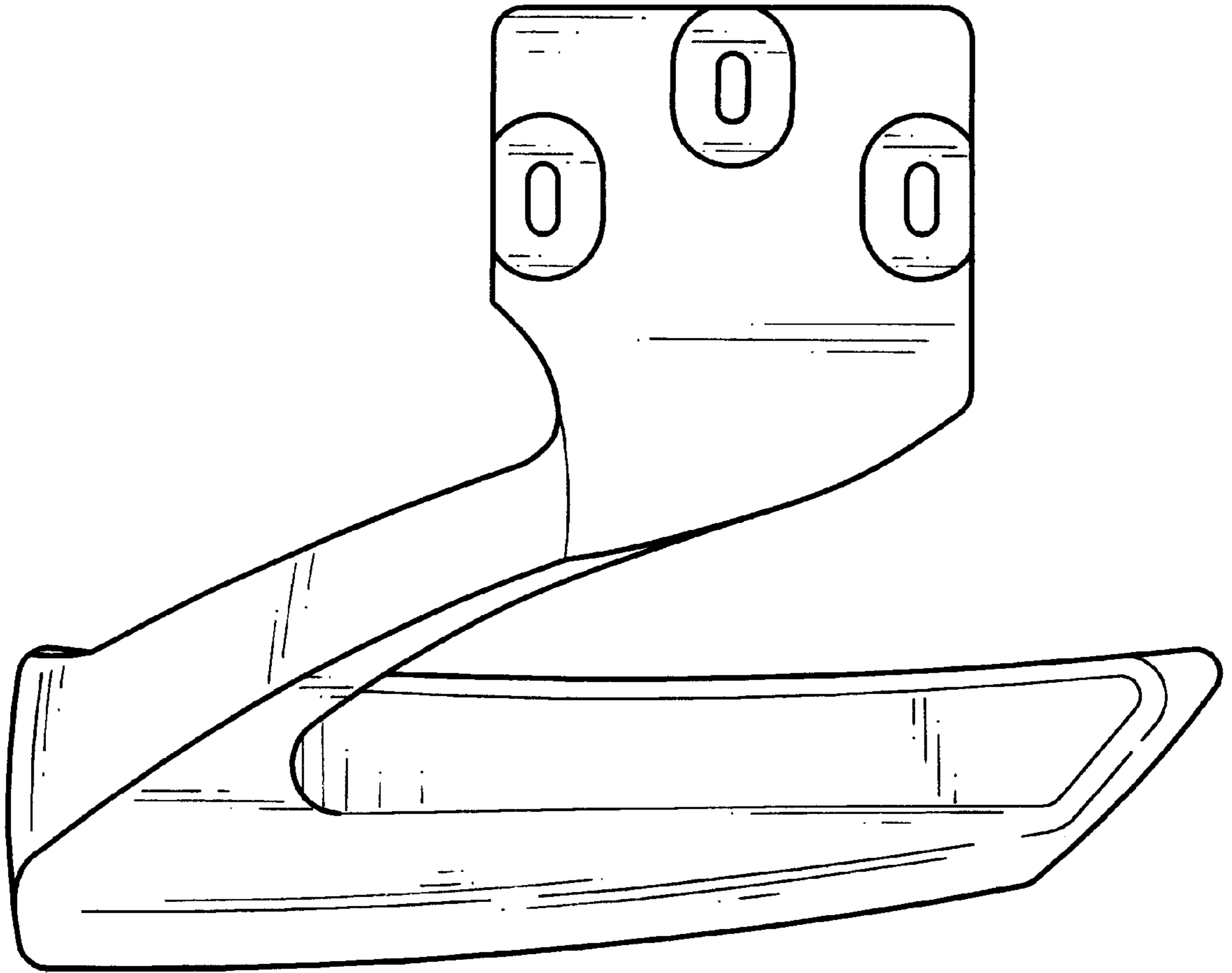


FIG. 7