



US00D462545S

(12) **United States Design Patent**
Malle

(10) **Patent No.:** **US D462,545 S**

(45) **Date of Patent:** **** Sep. 10, 2002**

(54) **4-FACETED PERFUME TOWER**

(76) Inventor: **Frederic Malle**, 37, Rue de Grenelle,
75007 Paris (FR)

(**) Term: **14 Years**

(21) Appl. No.: **29/144,076**

(22) Filed: **Jun. 26, 2001**

Related U.S. Application Data

(63) Continuation-in-part of application No. 29/131,627, filed on
Oct. 25, 2000.

(51) **LOC (7) Cl.** **06-04**

(52) **U.S. Cl.** **D6/472; D25/16**

(58) **Field of Search** D6/449, 455, 457,
D6/466, 470, 471, 472, 475; 312/107, 114,
117, 138.1, 204, 234; D25/16

(56) **References Cited**

U.S. PATENT DOCUMENTS

2,965,429 A * 12/1960 Stanger 312/238
D213,096 S * 1/1969 Antonio D25/16
4,783,132 A * 11/1988 Baus 312/324

5,039,179 A * 8/1991 Chouzenoux 312/234
D381,433 S * 7/1997 Priestley et al. D25/16
5,653,063 A * 8/1997 Barnett et al. D25/16 X

* cited by examiner

Primary Examiner—Cathron C. Brooks
(74) *Attorney, Agent, or Firm*—Fross Zelnick Lehrman &
Zissu; Lawrence E. Apolzon

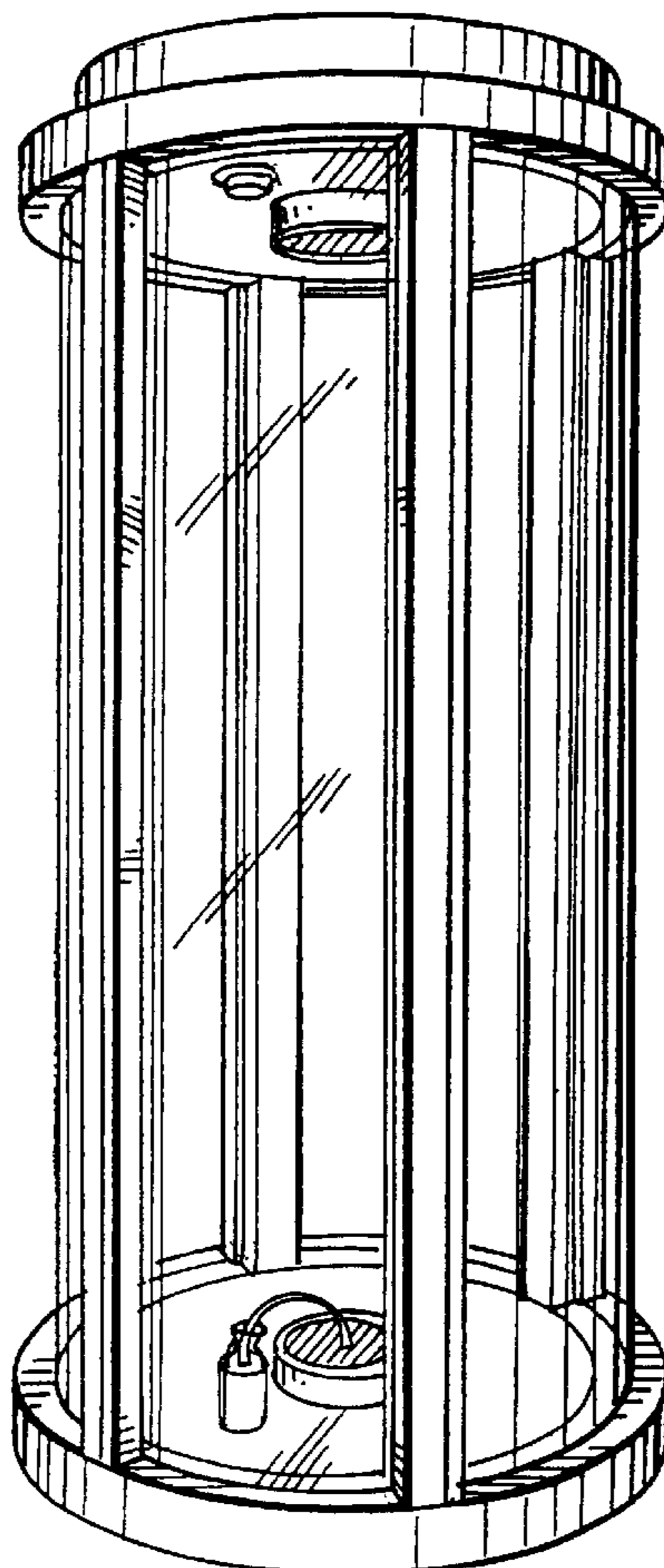
(57) **CLAIM**

The ornamental design for a 4-faceted perfume tower, as
shown and described.

DESCRIPTION

FIG. 1 is a front perspective view;
FIG. 2 is a side view;
FIG. 3 is a front view;
FIG. 4 is a side view of the top internal portion;
FIG. 5 is a side view of the bottom internal portion;
FIG. 6 is a front view of an alternative embodiment (the back
and side views all being the same); and,
FIG. 7 is a front perspective view of the bottom internal
portion of the alternative embodiment shown in FIG. 6.

1 Claim, 5 Drawing Sheets



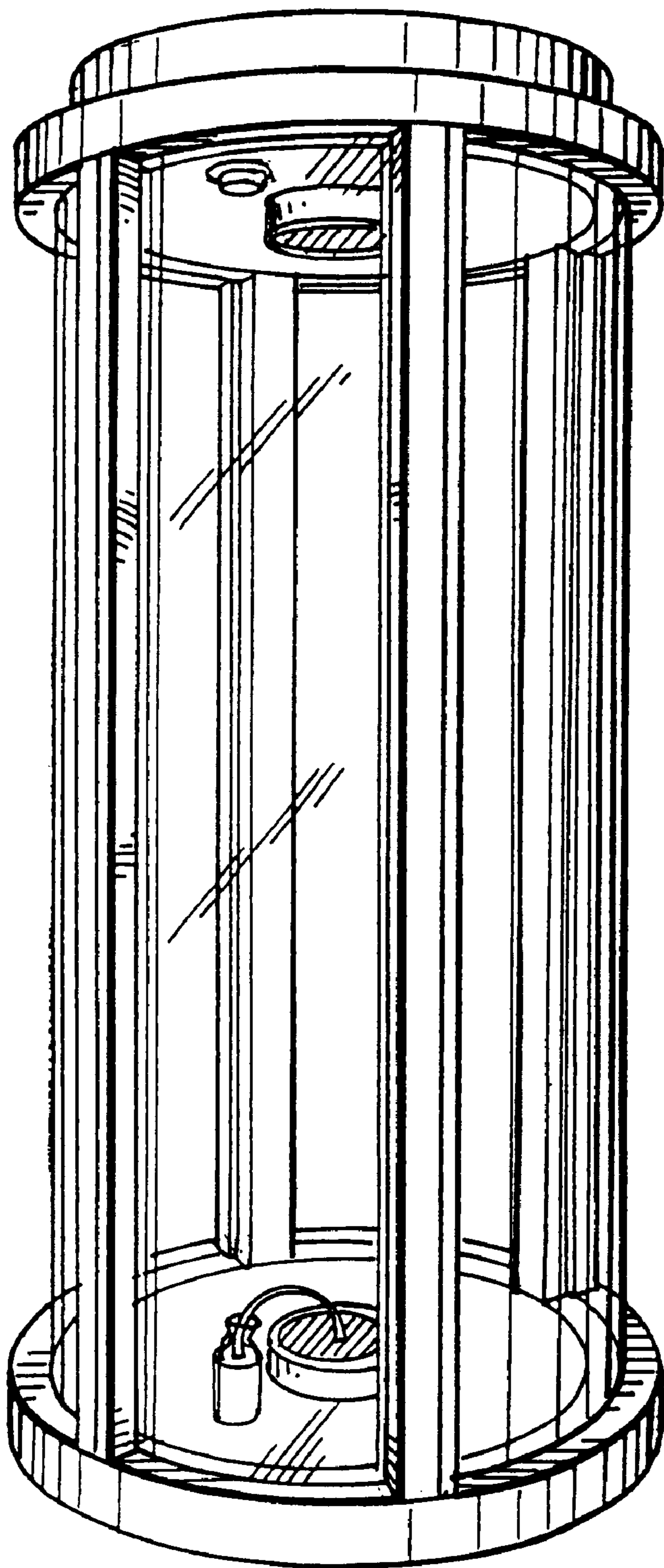


FIG. 1

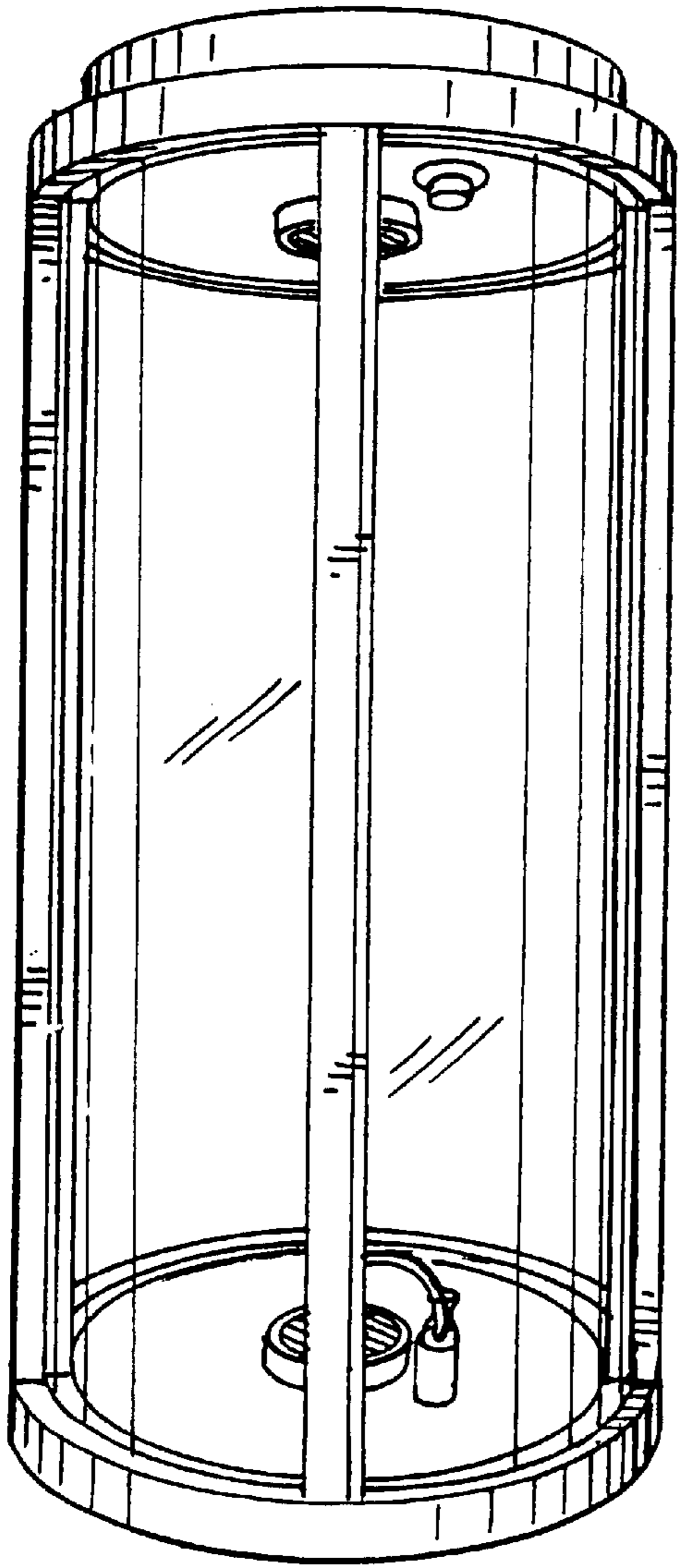


FIG. 2

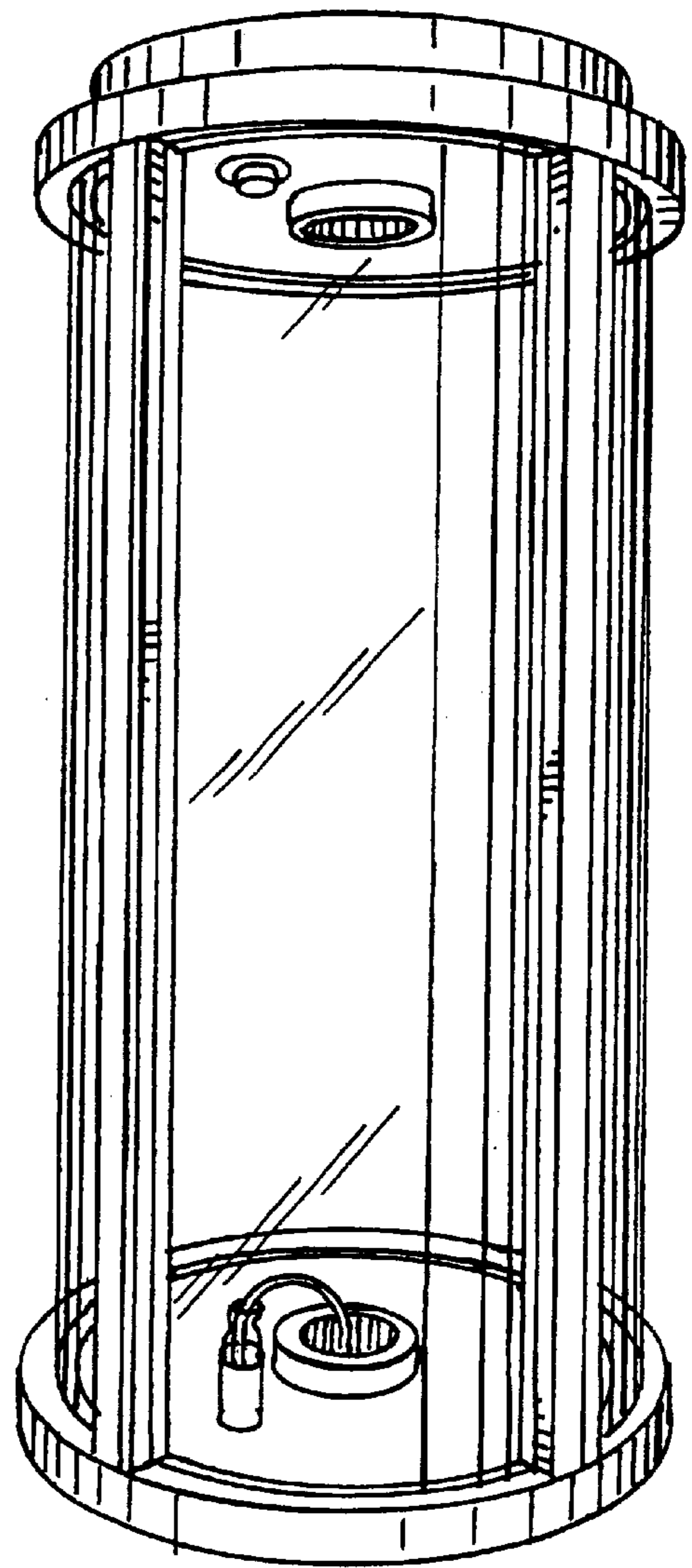


FIG. 3

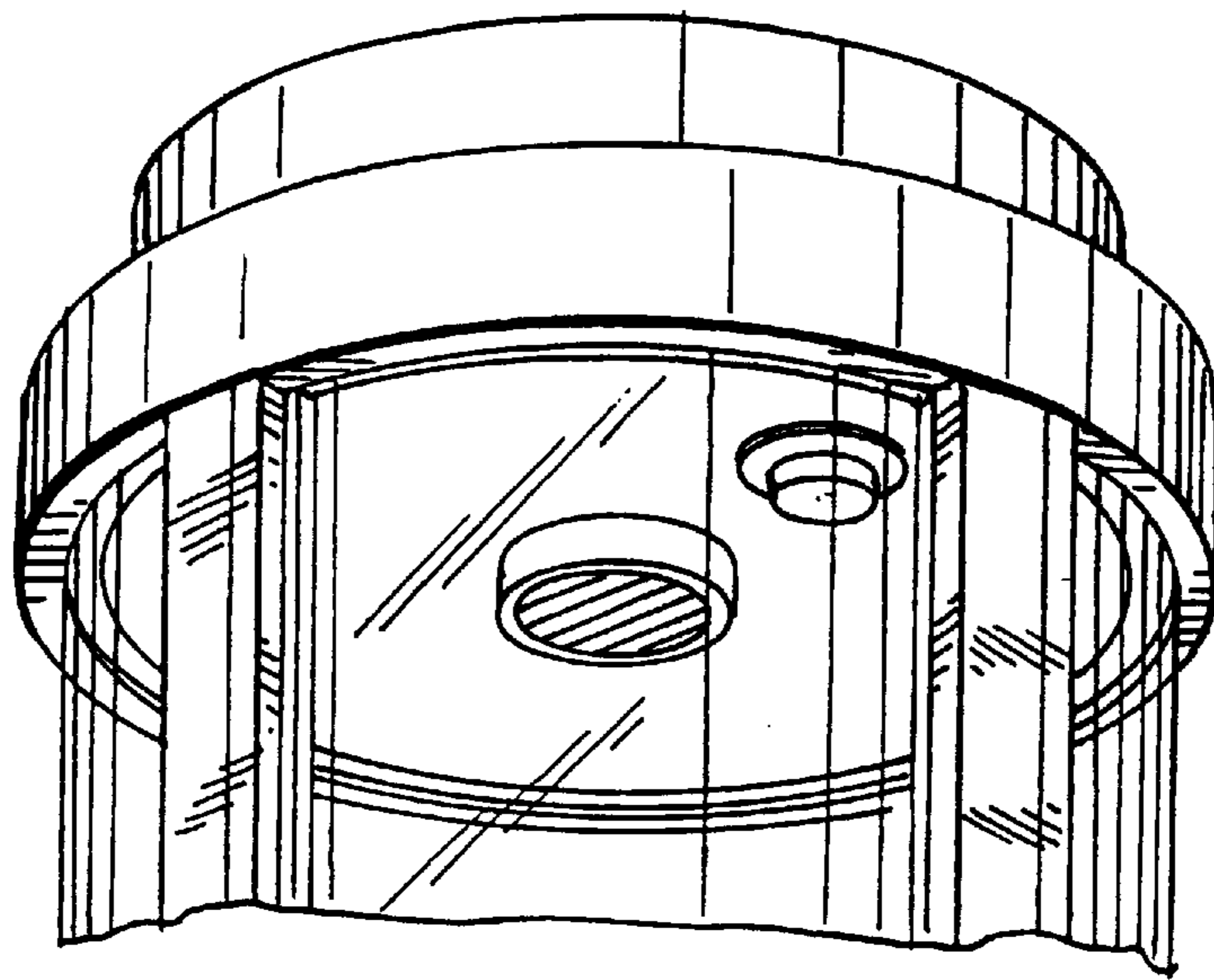


FIG. 4

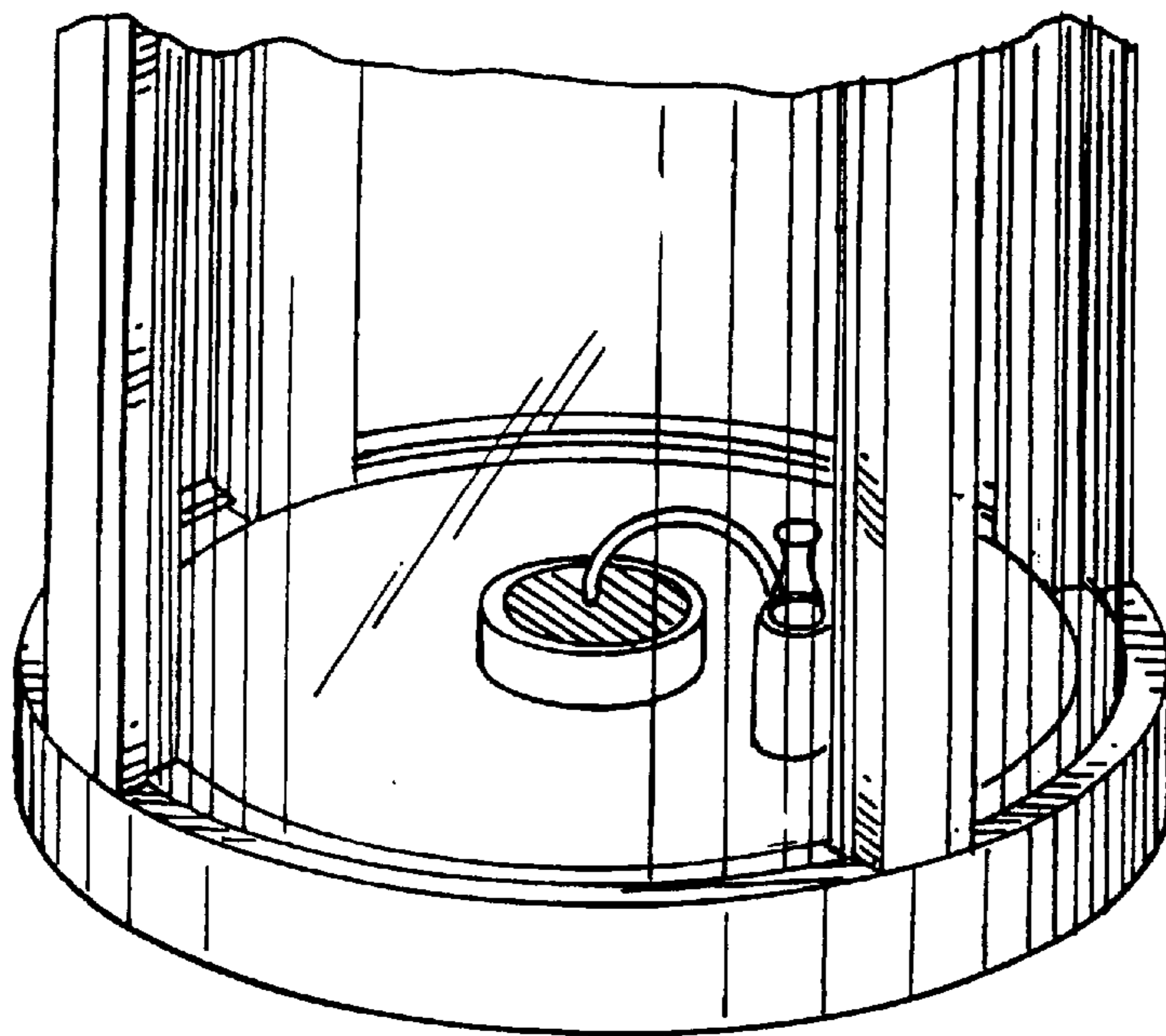


FIG. 5

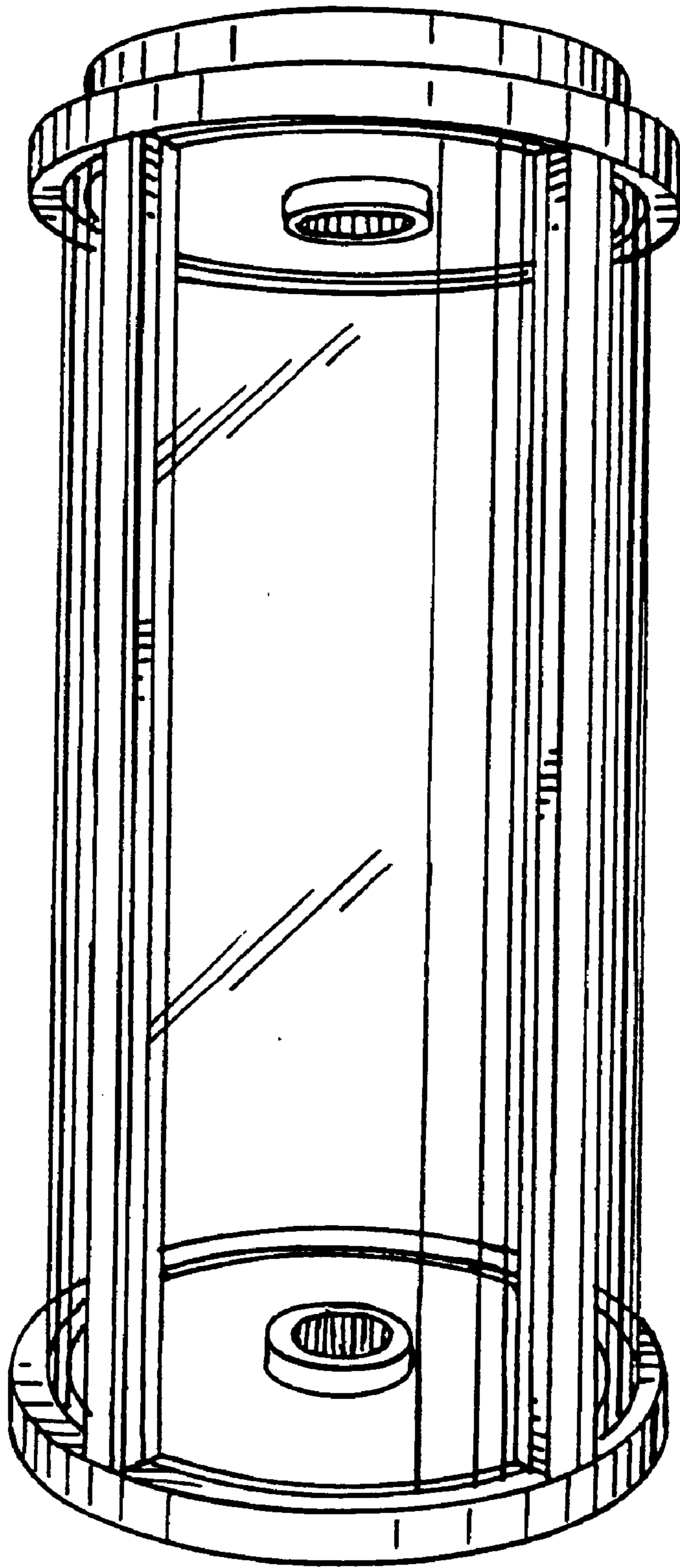


FIG.6

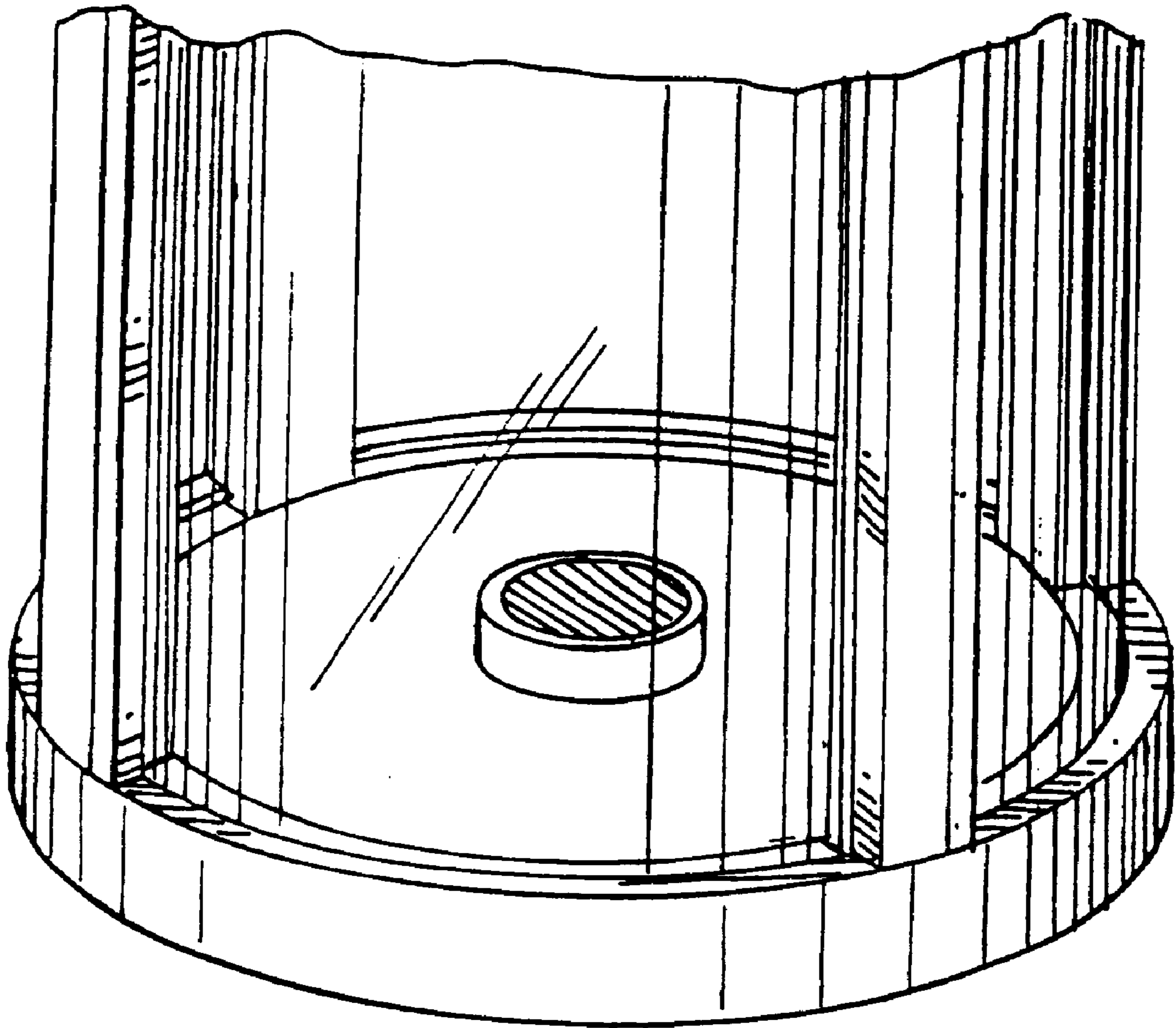


FIG.7