



US00D462542S

(12) **United States Design Patent**
Lee

(10) **Patent No.:** **US D462,542 S**
(45) **Date of Patent:** **** Sep. 10, 2002**

(54) **CD HOOK**

(75) Inventor: **Chi-Wing Lee**, Kowloon (HK)
(73) Assignee: **Sunhing Millenium Limited**, Kowloon (HK)
(**) Term: **14 Years**

(21) Appl. No.: **29/143,940**
(22) Filed: **Jun. 22, 2001**

(30) **Foreign Application Priority Data**

Dec. 30, 2000 (HK) 0011904

(51) **LOC (7) Cl.** **06-04**
(52) **U.S. Cl.** **D6/450; D6/466; D6/407**
(58) **Field of Search** D6/407, 629, 630, D6/631, 410-415, 449, 450, 458, 459, 460-468; 108/59, 76, 91, 92, 102, 106, 108, 132; 206/307, 307.1, 308.1, 310, 387.15; 211/13.1, 34, 36-38, 40-41.12, 55-58, 74, 77, 78, 85.6, 126.9, 134, 144, 163, 181.1, 194; 312/9.1, 9.47-9.64, 348.3

(56) **References Cited**

U.S. PATENT DOCUMENTS

D300,485 S * 4/1989 Scholl D6/411

OTHER PUBLICATIONS

Hold Everything Catalog, Nov. 1997, CD Stand, p. 51.*

* cited by examiner

Primary Examiner—Cathron C. Brooks

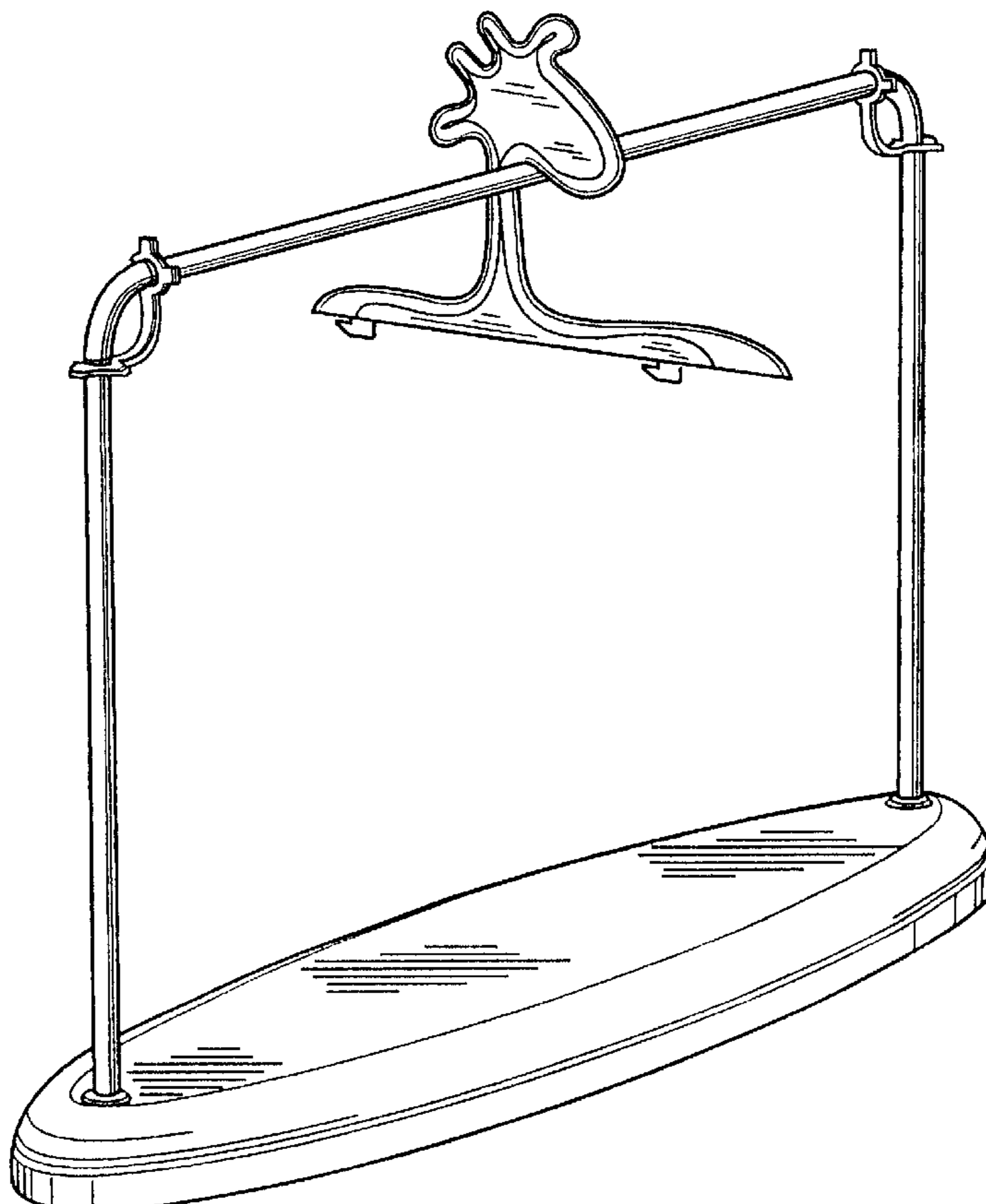
(57) **CLAIM**

The ornamental design for a CD hook, as shown and described.

DESCRIPTION

FIG. 1 is a front left perspective view of the new ornamental CD hook of the present invention;
FIG. 2 is a front right perspective view thereof;
FIG. 3 is a back view thereof;
FIG. 4 is a front view thereof;
FIG. 5 is a top view thereof;
FIG. 6 is a bottom view thereof;
FIG. 7 is a left side view thereof; and,
FIG. 8 is a right side view thereof.

1 Claim, 6 Drawing Sheets



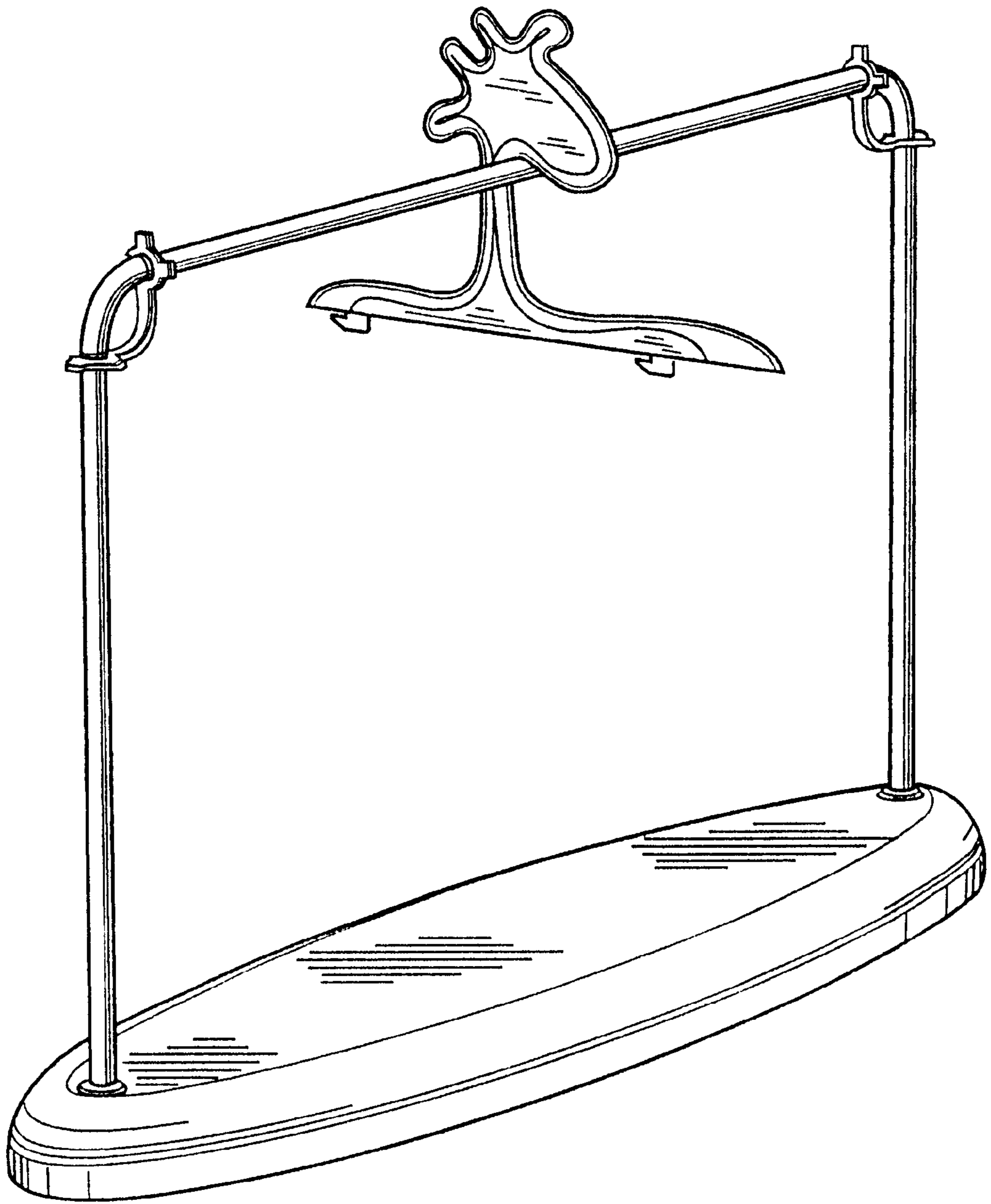


FIGURE 1

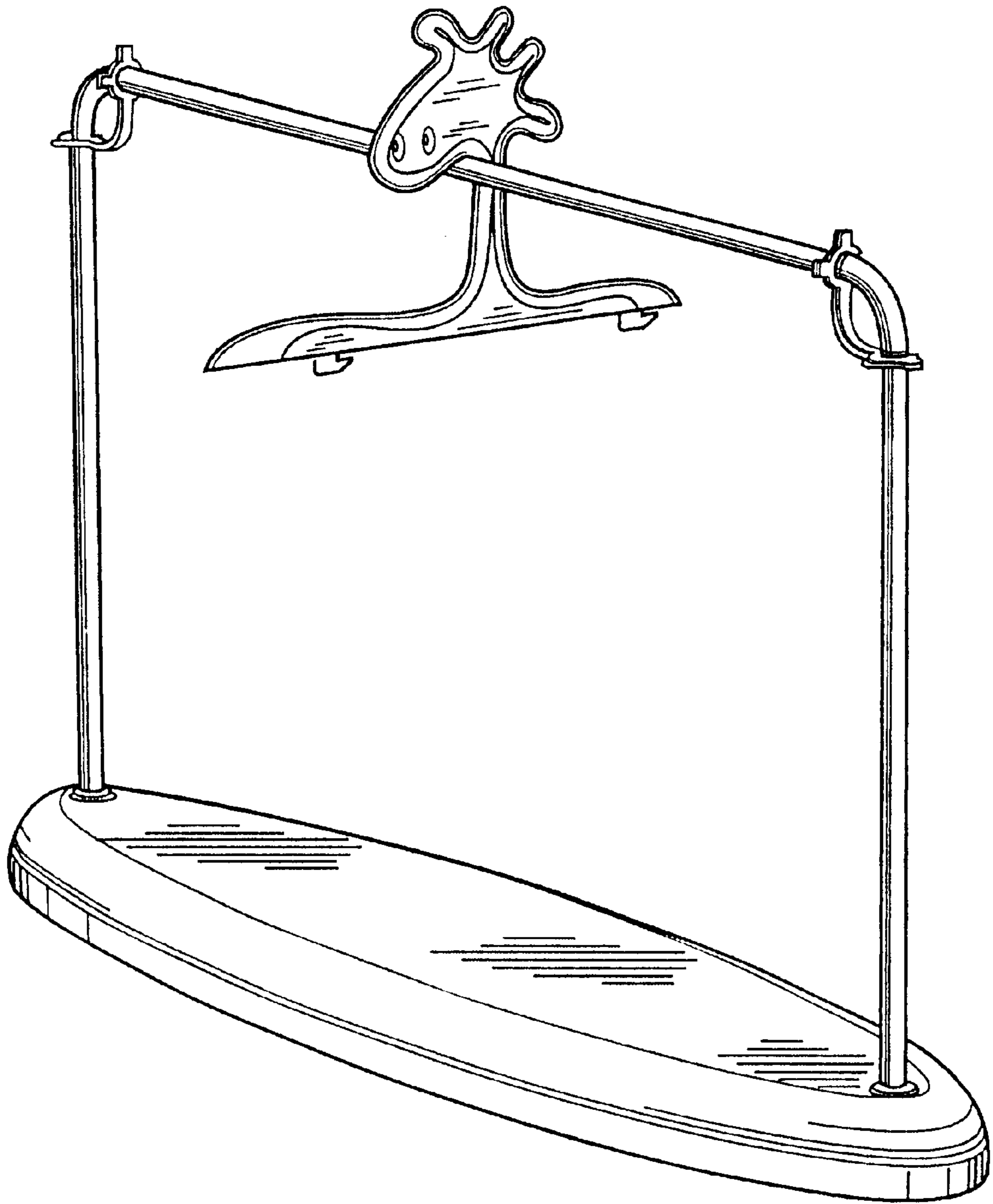


FIGURE 2

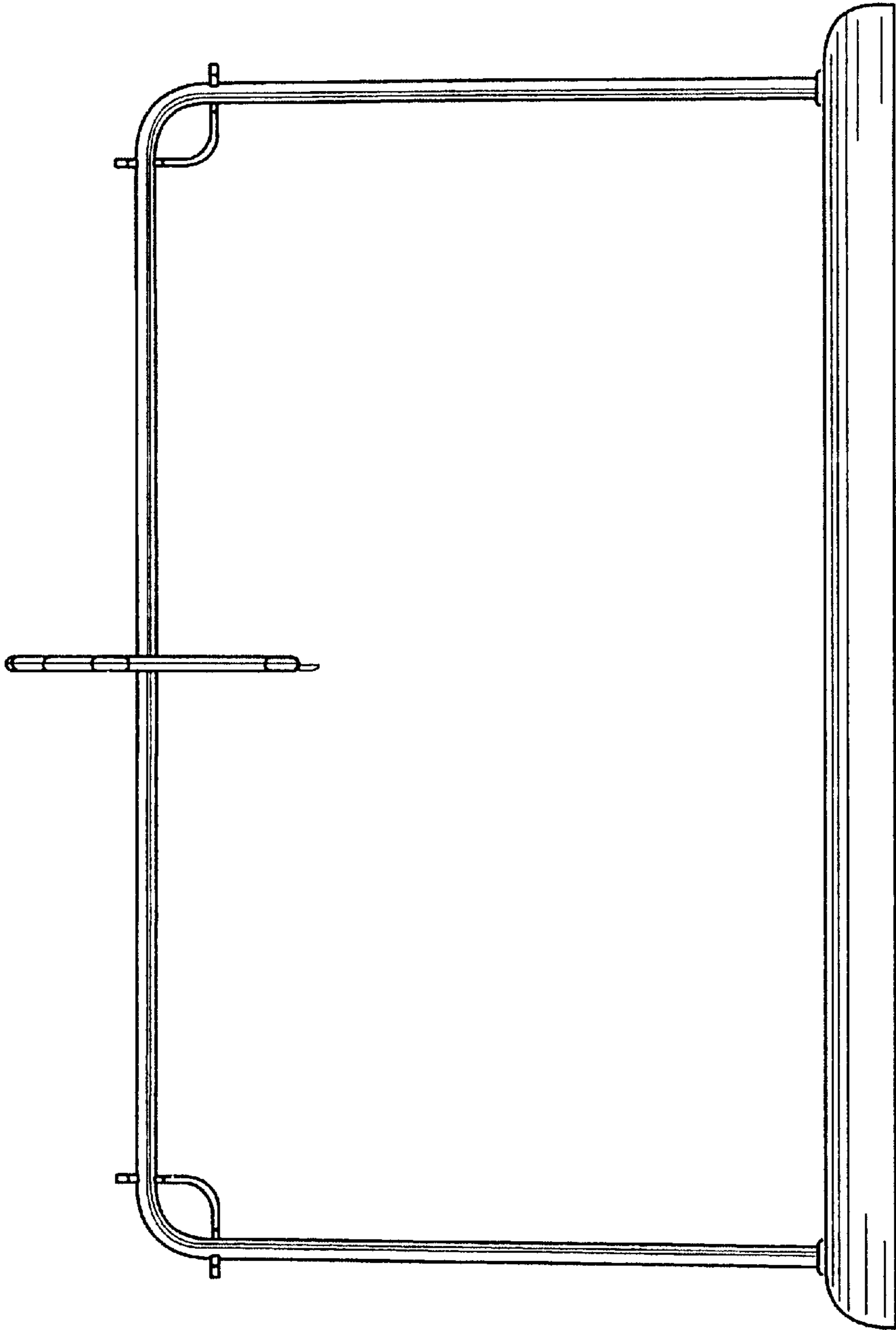


FIGURE 3

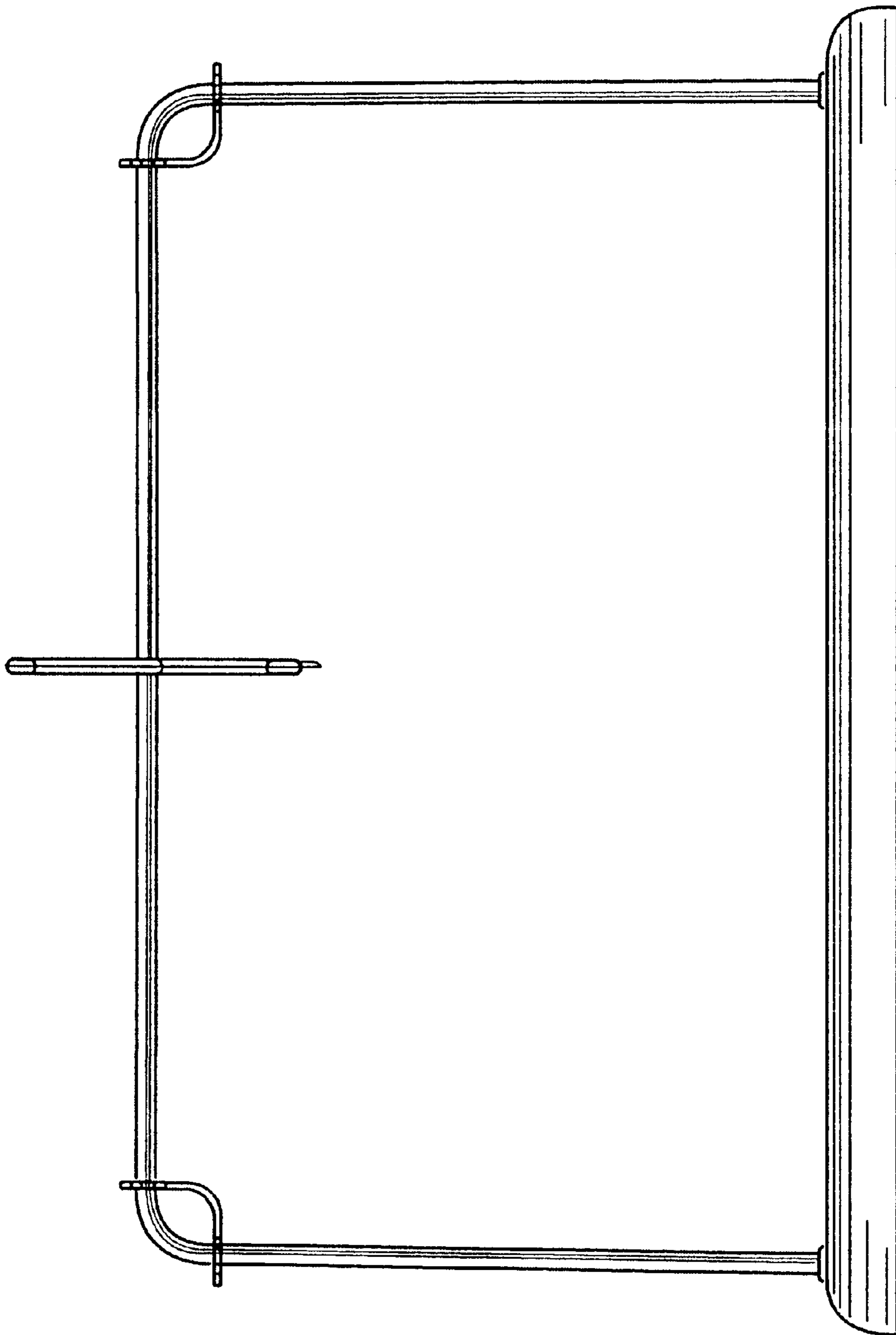


FIGURE 4

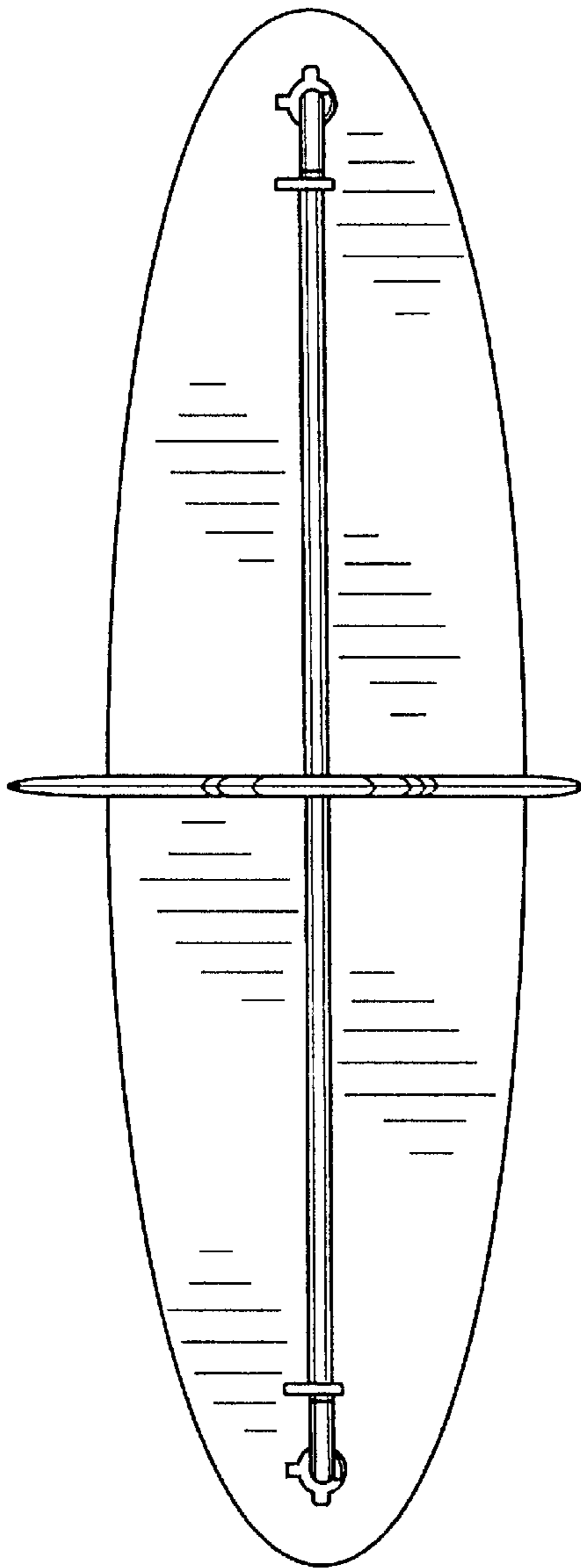


FIGURE 5

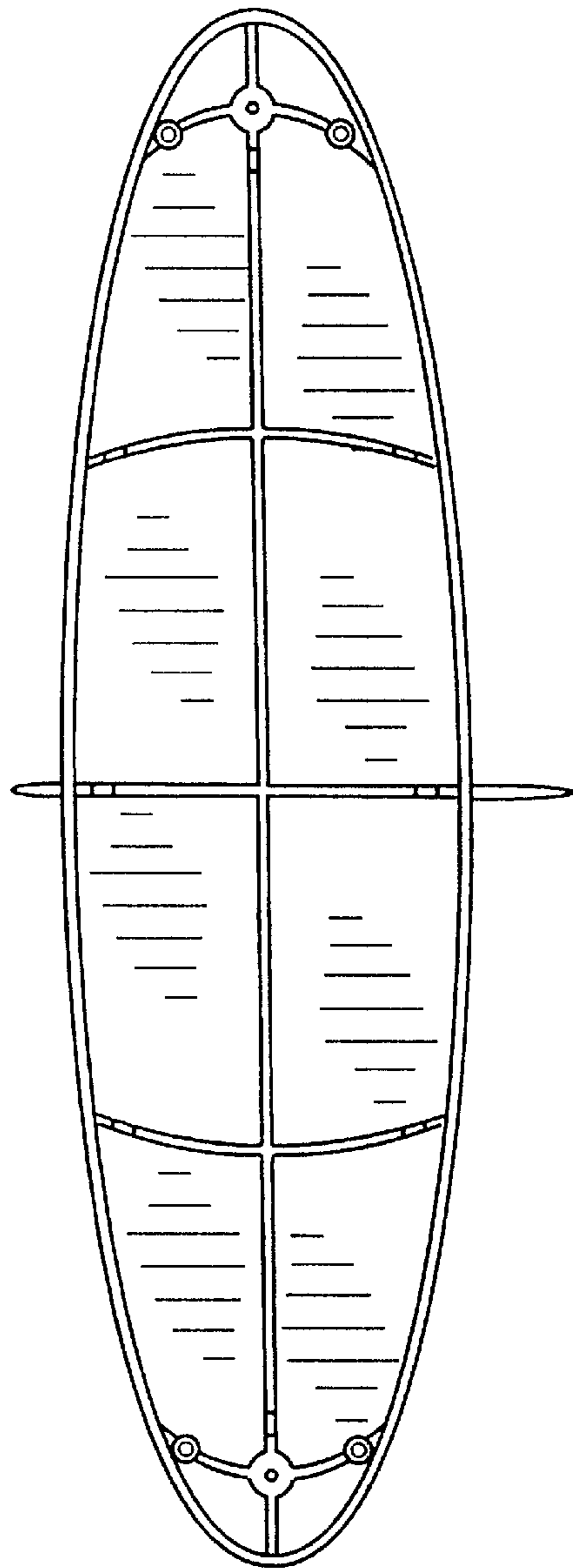


FIGURE 6

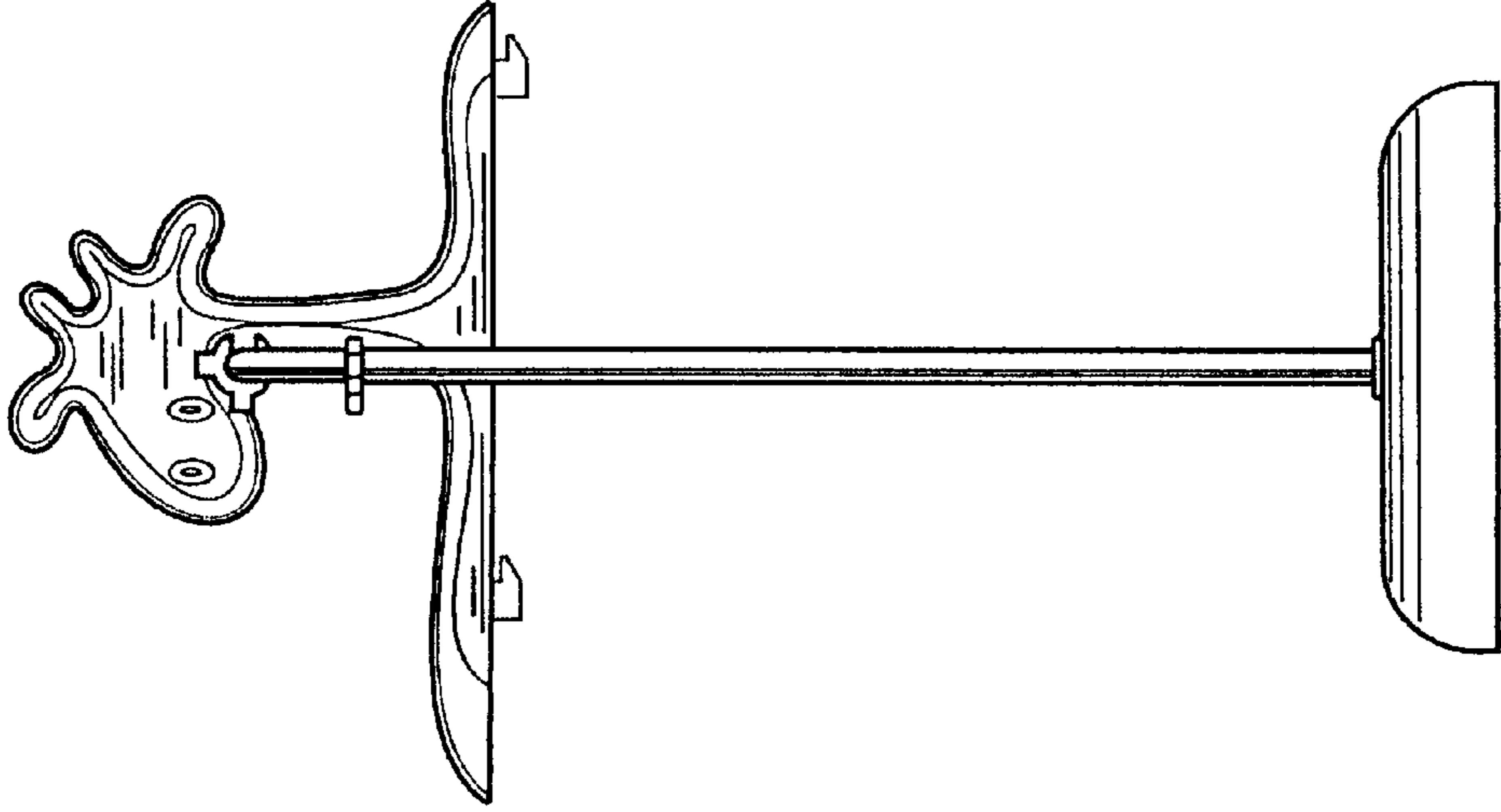


FIGURE 8

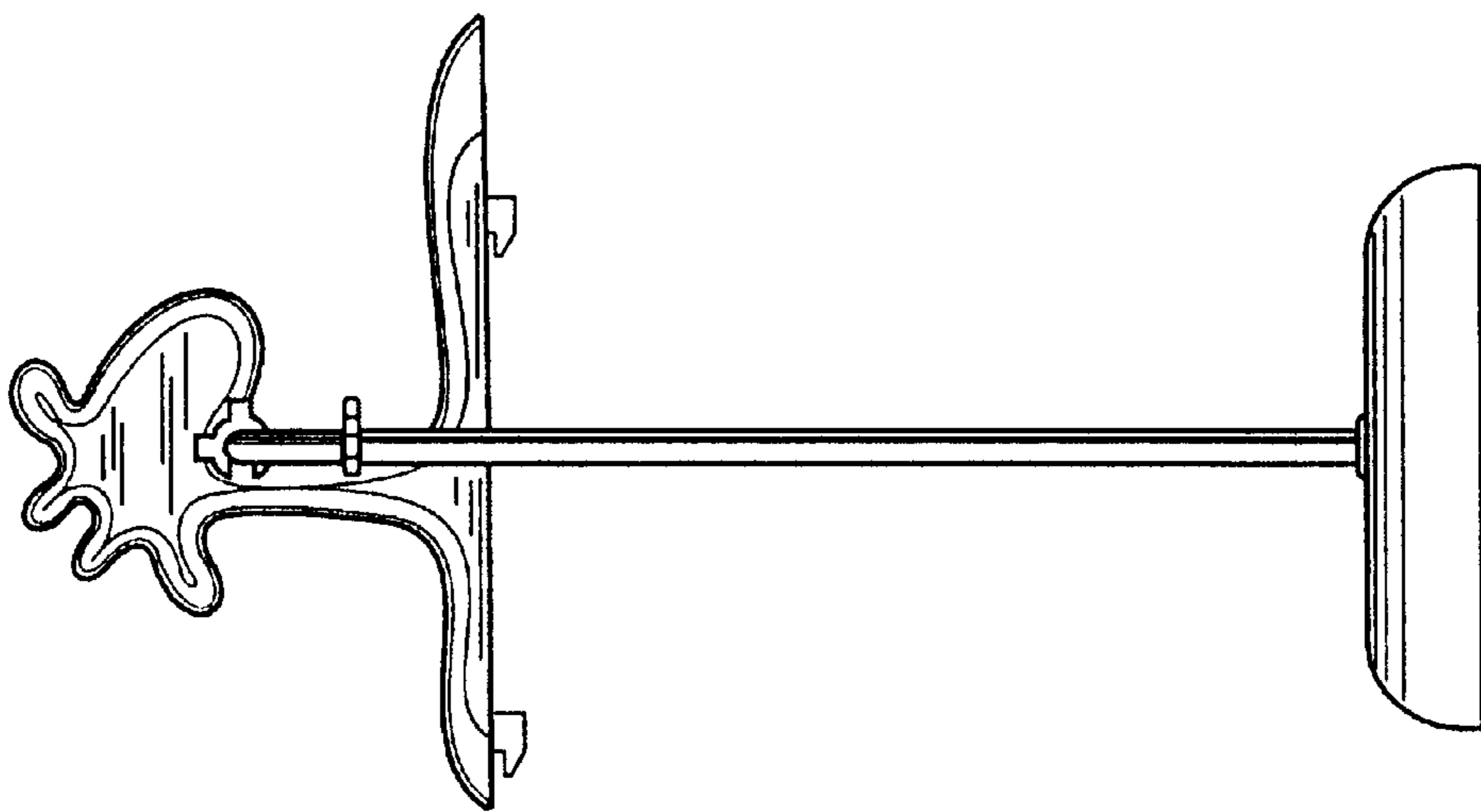


FIGURE 7