



US00D462541S

(12) **United States Design Patent**
Welch

(10) **Patent No.:** **US D462,541 S**

(45) **Date of Patent:** **** Sep. 10, 2002**

(54) **CANTILEVERED SHELVING SYSTEM**

* cited by examiner

(75) Inventor: **Robert J. Welch**, Dallas, PA (US)

Primary Examiner—Nanda Bondade

(73) Assignee: **Metro Industries, Inc.**, Reno, NV (US)

(74) *Attorney, Agent, or Firm*—Fitzpatrick, Cella, Harper & Scinto

(**) Term: **14 Years**

(57) **CLAIM**

(21) Appl. No.: **29/118,584**

The ornamental design for a cantilevered shelving system, as shown and described.

(22) Filed: **Feb. 14, 2000**

DESCRIPTION

(51) **LOC (7) Cl.** **06-99**

(52) **U.S. Cl.** **D6/449**

(58) **Field of Search** D6/429, 449, 480,
D6/483, 484; 211/90.02, 90.04, 186, 187;
108/108

FIG. 1 is a perspective view of a cantilevered shelving system, showing my new design;

FIG. 2 is a front elevational view thereof;

FIG. 3 is a rear elevational view thereof;

FIG. 4 is a left side elevational view thereof, the right side elevational view being a mirror image;

FIG. 5 is a top plan view thereof; and,

FIG. 6 is a bottom plan view thereof.

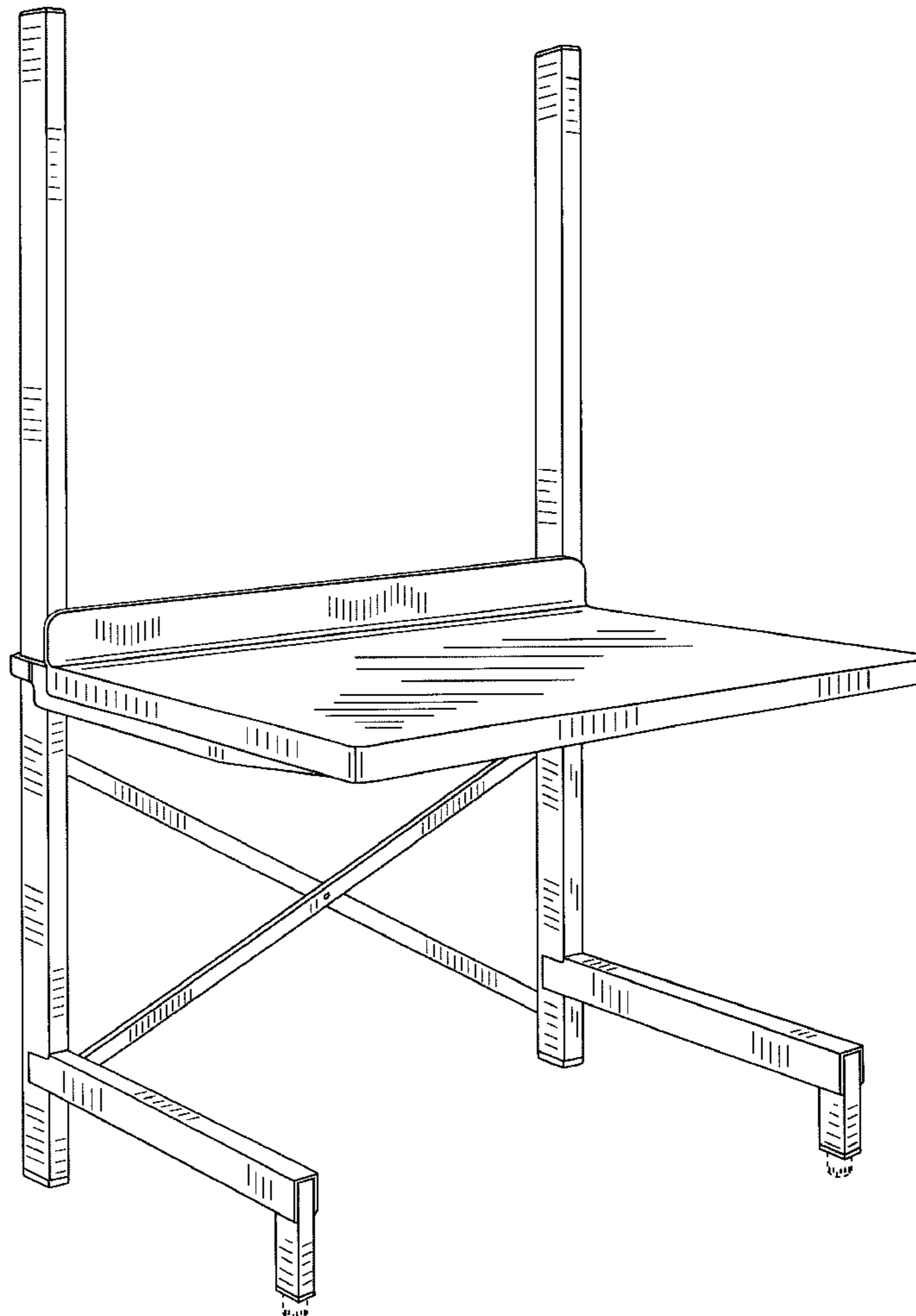
(56) **References Cited**

U.S. PATENT DOCUMENTS

3,631,821	A	*	1/1972	Zachariou	211/187	X
D246,880	S	*	1/1978	Miola	D6/183	
D252,729	S	*	8/1979	Leahy, Jr.	D6/449	X
D255,695	S	*	7/1980	O'commor	D6/449	X
D289,240	S	*	4/1987	Sylvester et al.	D6/429	

The broken line showing on FIGS. 1-2, 4 and 6 is for illustrative purposes only and forms no part of the claimed design.

1 Claim, 5 Drawing Sheets



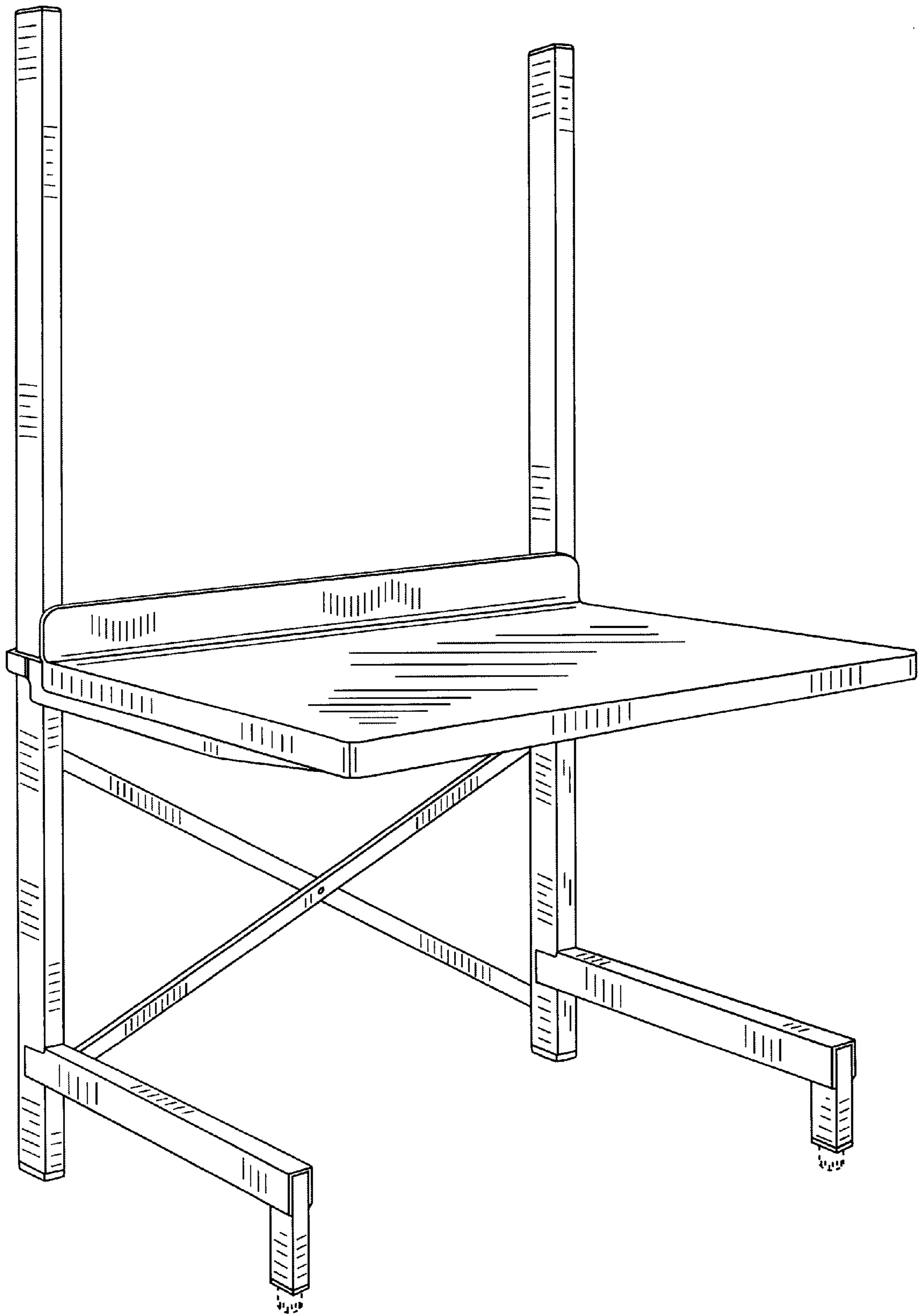


FIG. 1

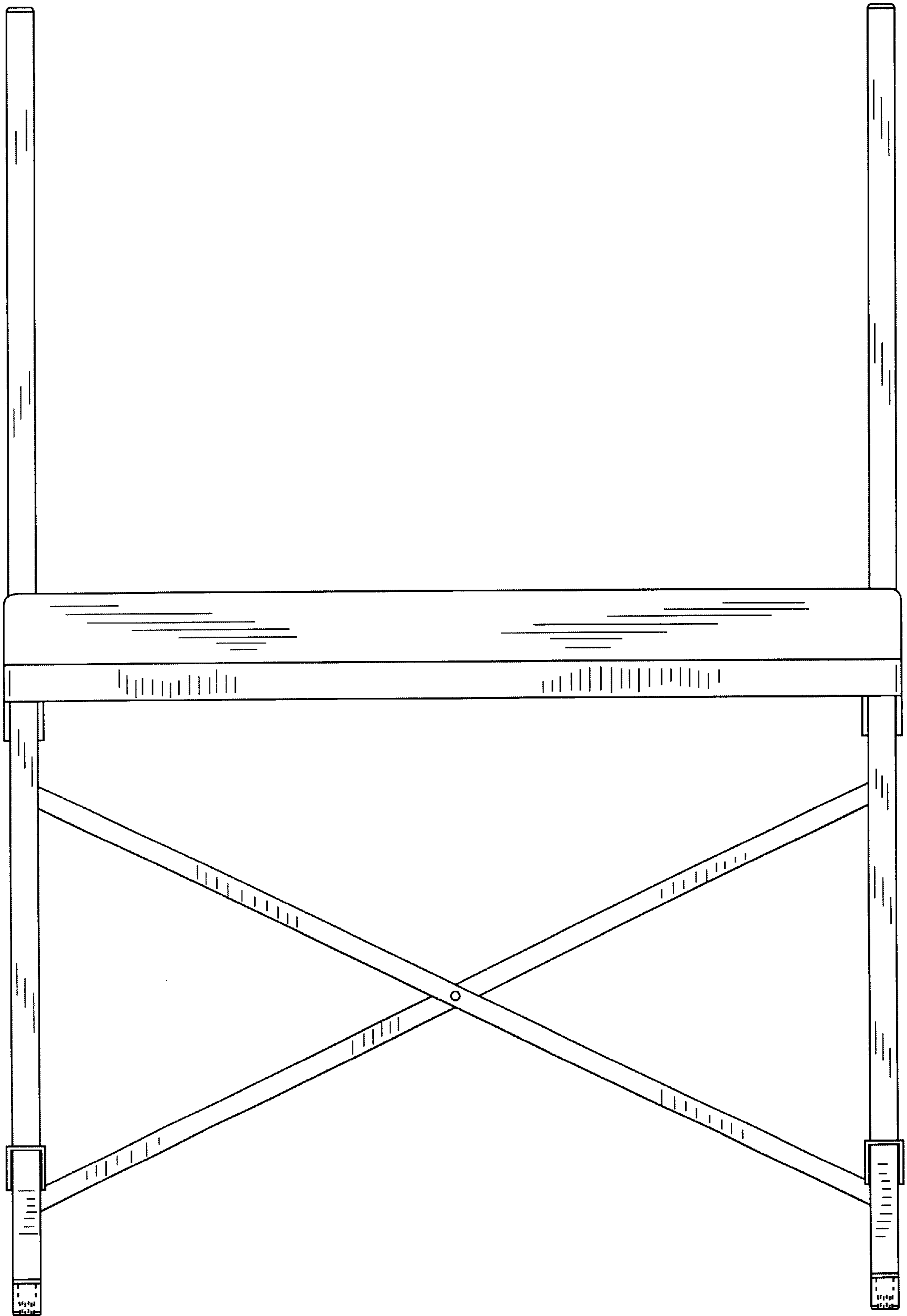


FIG. 2

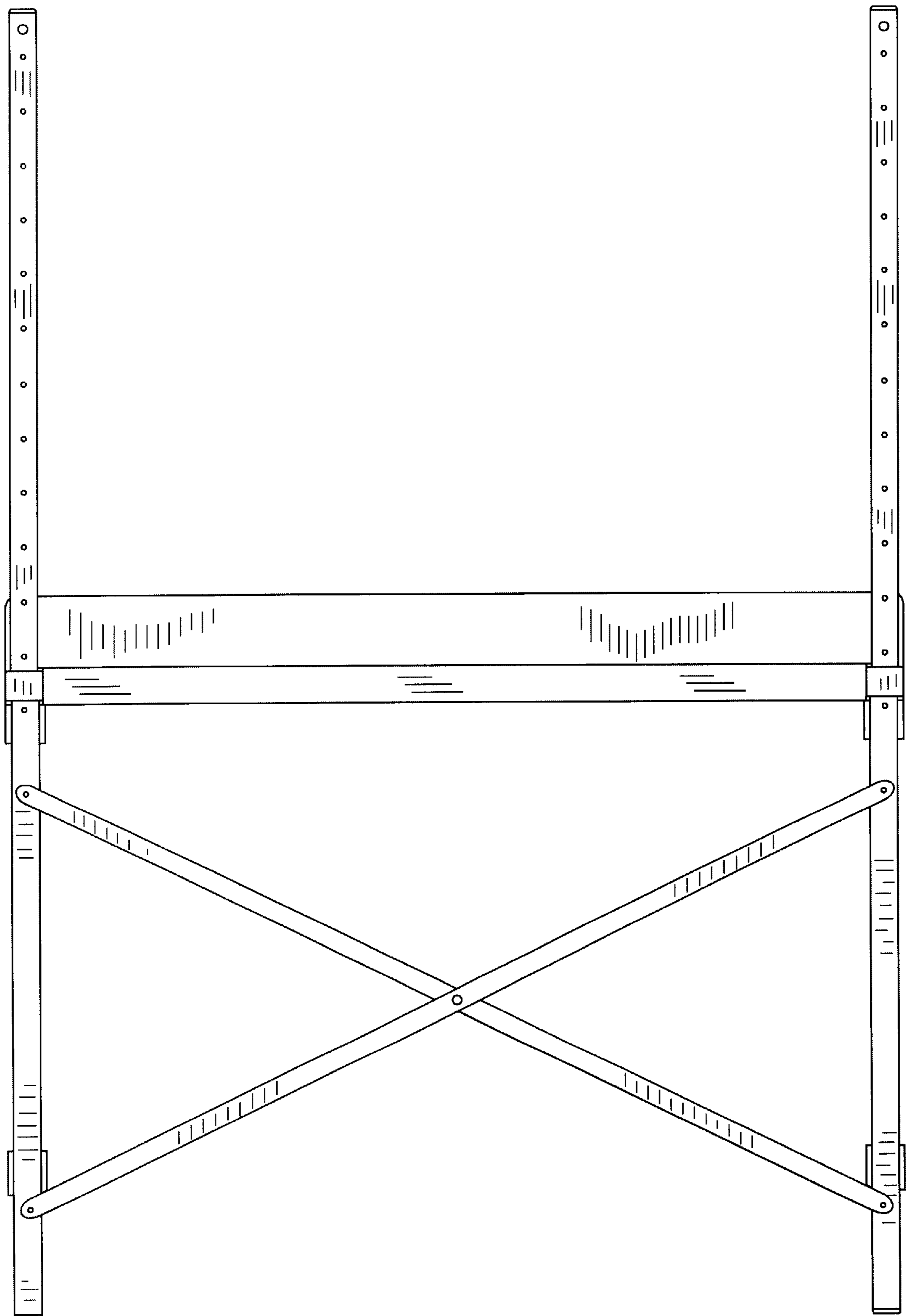


FIG. 3

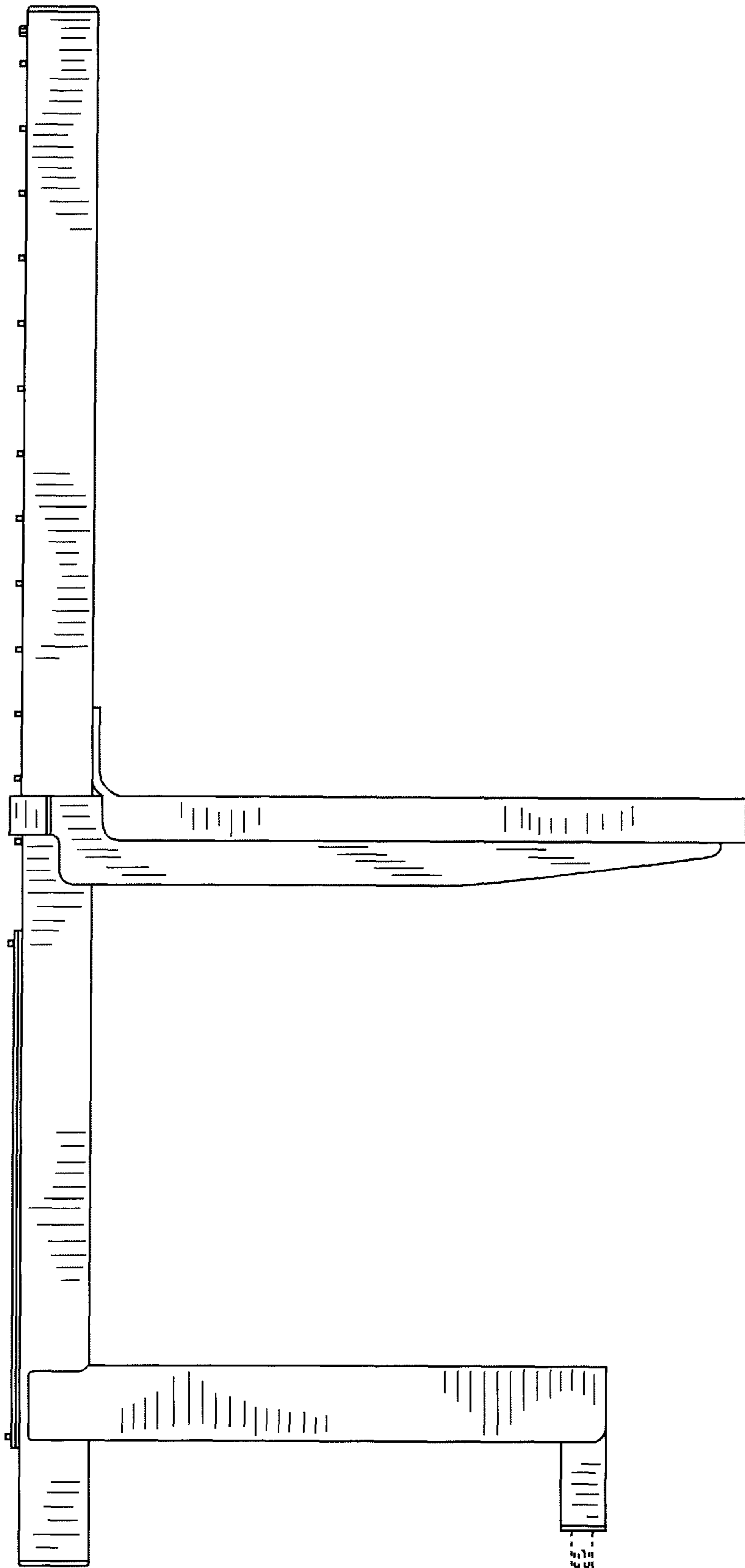


FIG. 4

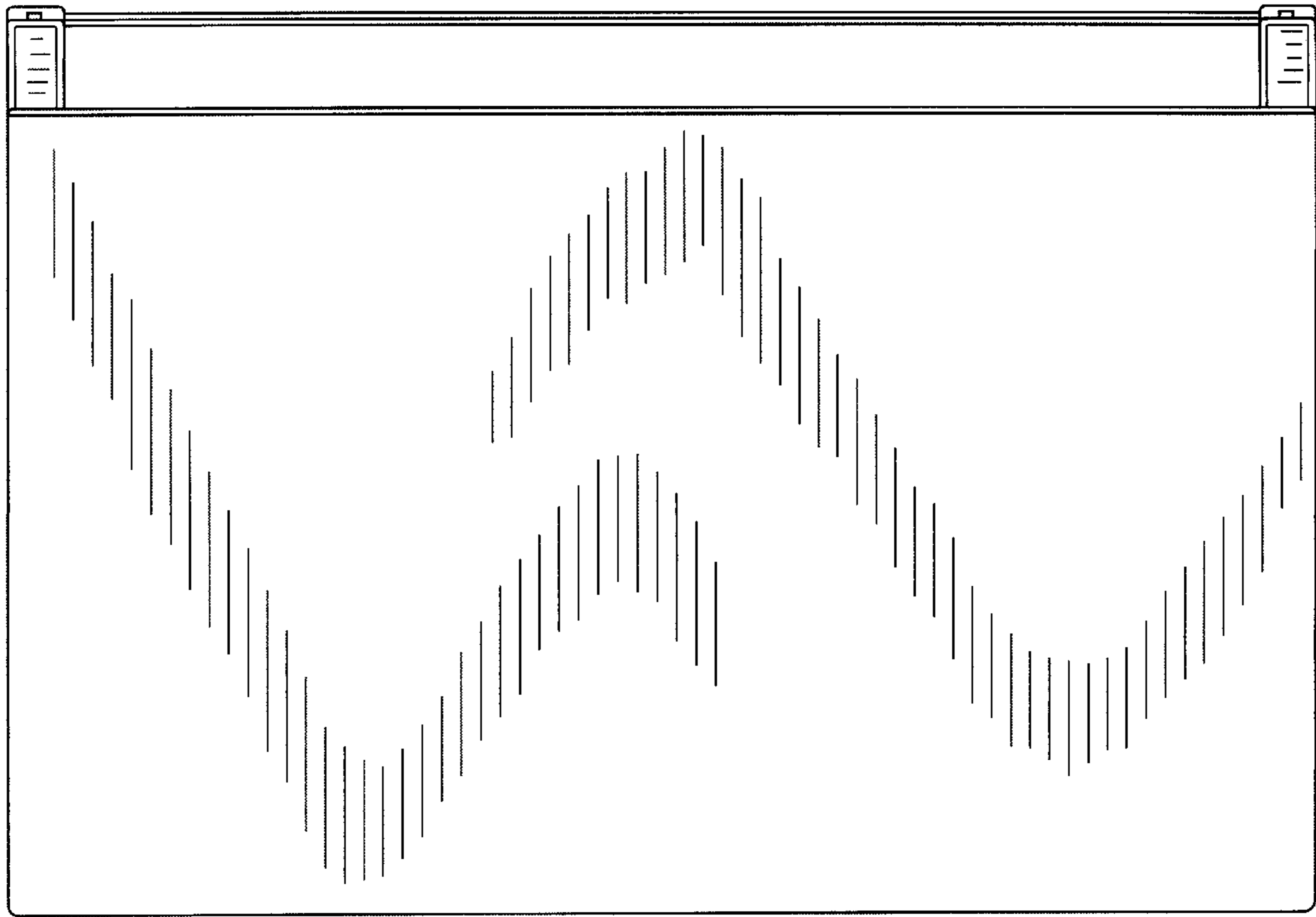


FIG. 5

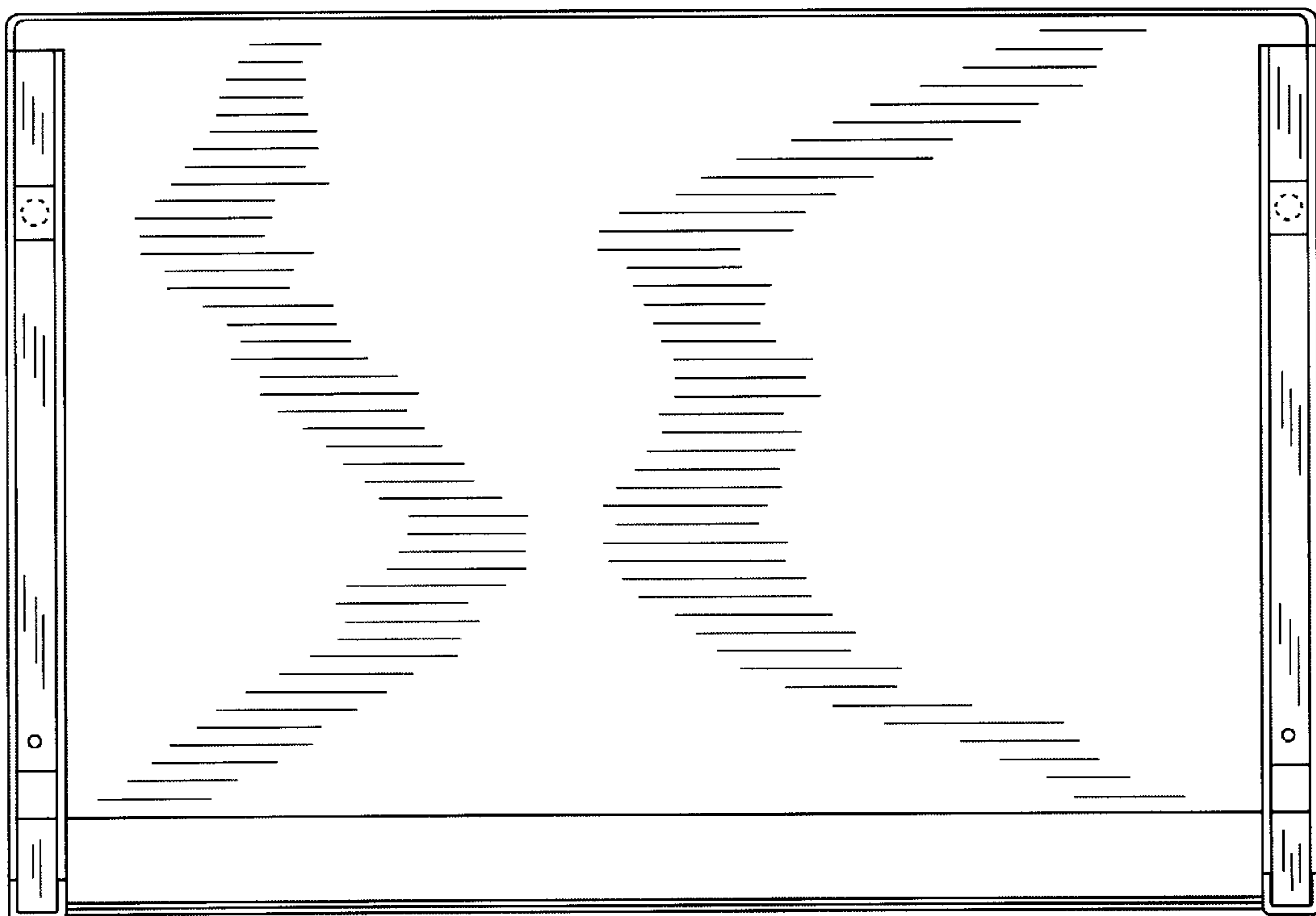


FIG. 6

UNITED STATES PATENT AND TRADEMARK OFFICE
CERTIFICATE OF CORRECTION

PATENT NO. : Des. 462,541 S
DATED : September 10, 2002
INVENTOR(S) : Robert J. Welch

Page 1 of 1

It is certified that error appears in the above-identified patent and that said Letters Patent is hereby corrected as shown below:

Title page,

Item [57], **DESCRIPTION,**

Line 9, "showing on FIGS. 1-2," should read -- shown in FIGS. 1,2, --.

Item [*], after, "(73) Assignee: **Metro Industries, Inc.**, Reno, NV (US)", insert

-- (*) Notice: This patent issued on a continued prosecution application filed under 37 CFR 1.53(d), and is subject to the twenty year patent term provisions of 35 U.S.C. 154(a)(2). --.

Signed and Sealed this

Ninth Day of September, 2003

A handwritten signature in black ink, appearing to read "James E. Rogan", with a horizontal line underneath it.

JAMES E. ROGAN

Director of the United States Patent and Trademark Office