

US00D462539S

(12) **United States Design Patent**  
**Segall**

(10) **Patent No.:** **US D462,539 S**

(45) **Date of Patent:** **\*\* Sep. 10, 2002**

(54) **SHOE RACK**

(75) **Inventor:** **Paul M. Segall, El Paso, TX (US)**

(73) **Assignee:** **La-La Imports LP, El Paso, TX (US)**

(\*\*) **Term:** **14 Years**

(21) **Appl. No.:** **29/152,566**

(22) **Filed:** **Dec. 20, 2001**

(51) **LOC (7) Cl.** ..... **06-04**

(52) **U.S. Cl.** ..... **D6/411; D6/462**

(58) **Field of Search** ..... D6/407, 629, 630,  
D6/631, 410-415, 449, 458, 459, 460-468;  
108/59, 76, 91, 92, 102, 106, 108, 132;  
206/307, 307.1, 308.1, 310, 387.15; 211/13.1,  
34, 36-38, 40-41.12, 55-58, 74, 77, 78,  
126.9, 134, 144, 163, 181.1, 194, 85.6;  
312/9.1, 9.47-9.64, 348.3

(56) **References Cited**

**U.S. PATENT DOCUMENTS**

D283,570 S \* 4/1986 Penner ..... D6/464  
5,172,816 A \* 12/1992 Kline et al. .... 211/37

D341,500 S \* 11/1993 Klein et al. .... D6/411  
D398,787 S \* 9/1998 Malik ..... D6/411  
D421,531 S \* 3/2000 Haas ..... D6/411  
D424,320 S \* 5/2000 Klein et al. .... D6/411

\* cited by examiner

*Primary Examiner*—Cathron C. Brooks

(74) *Attorney, Agent, or Firm*—Fitch, Even, Tabin & Flannery

(57) **CLAIM**

The ornamental design for a shoe rack, as shown and described.

**DESCRIPTION**

FIG. 1 is a perspective view of my new design, comprising a shoe rack;  
FIG. 2 is a top plan view thereof;  
FIG. 3 is a front elevation view thereof, the back elevation view being identical thereto;  
FIG. 4 is right side elevation view thereof, the left side elevation view being the mirror image thereof; and,  
FIG. 5 is a bottom plan view thereof.

**1 Claim, 2 Drawing Sheets**

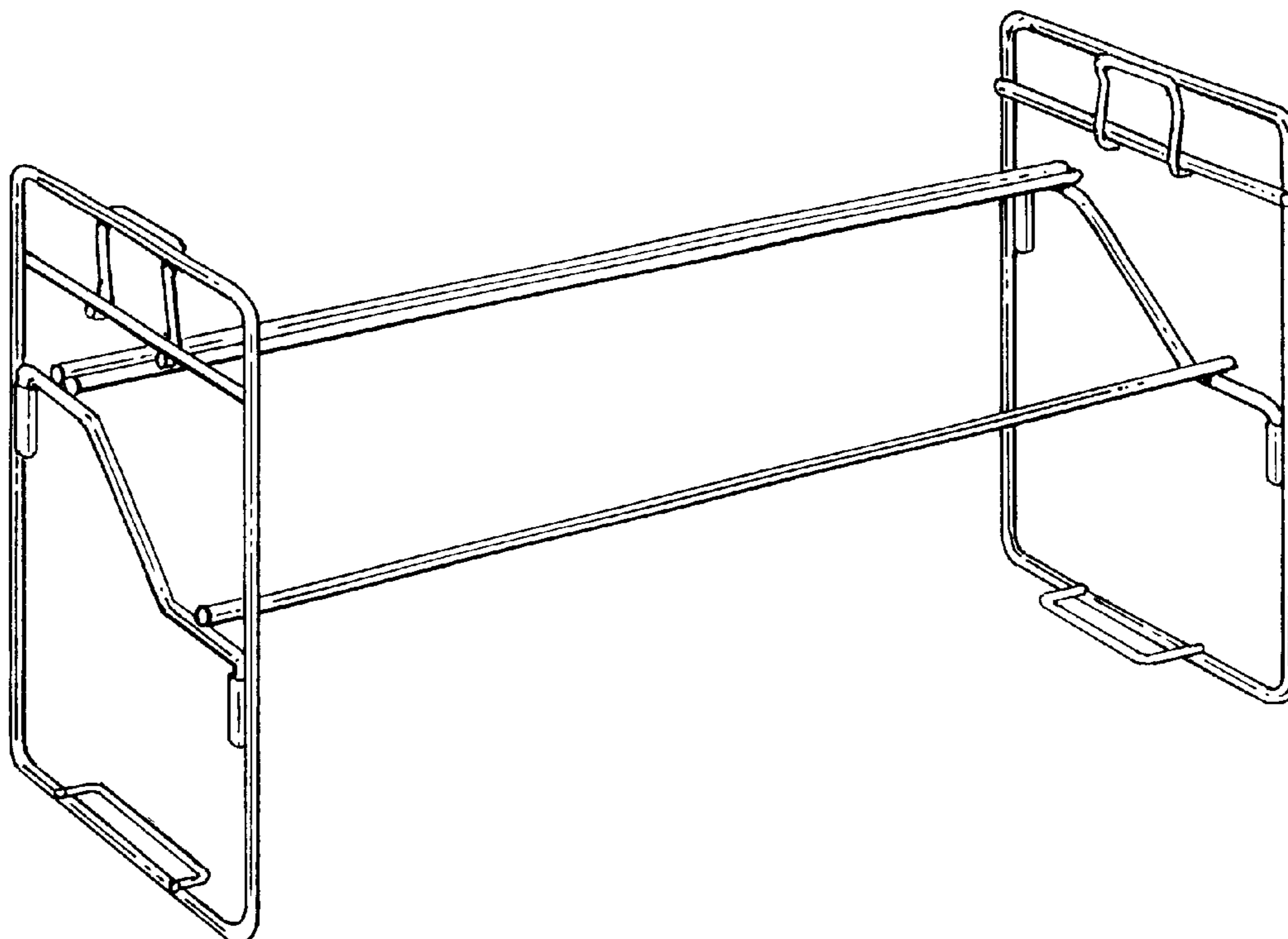


FIG. 1

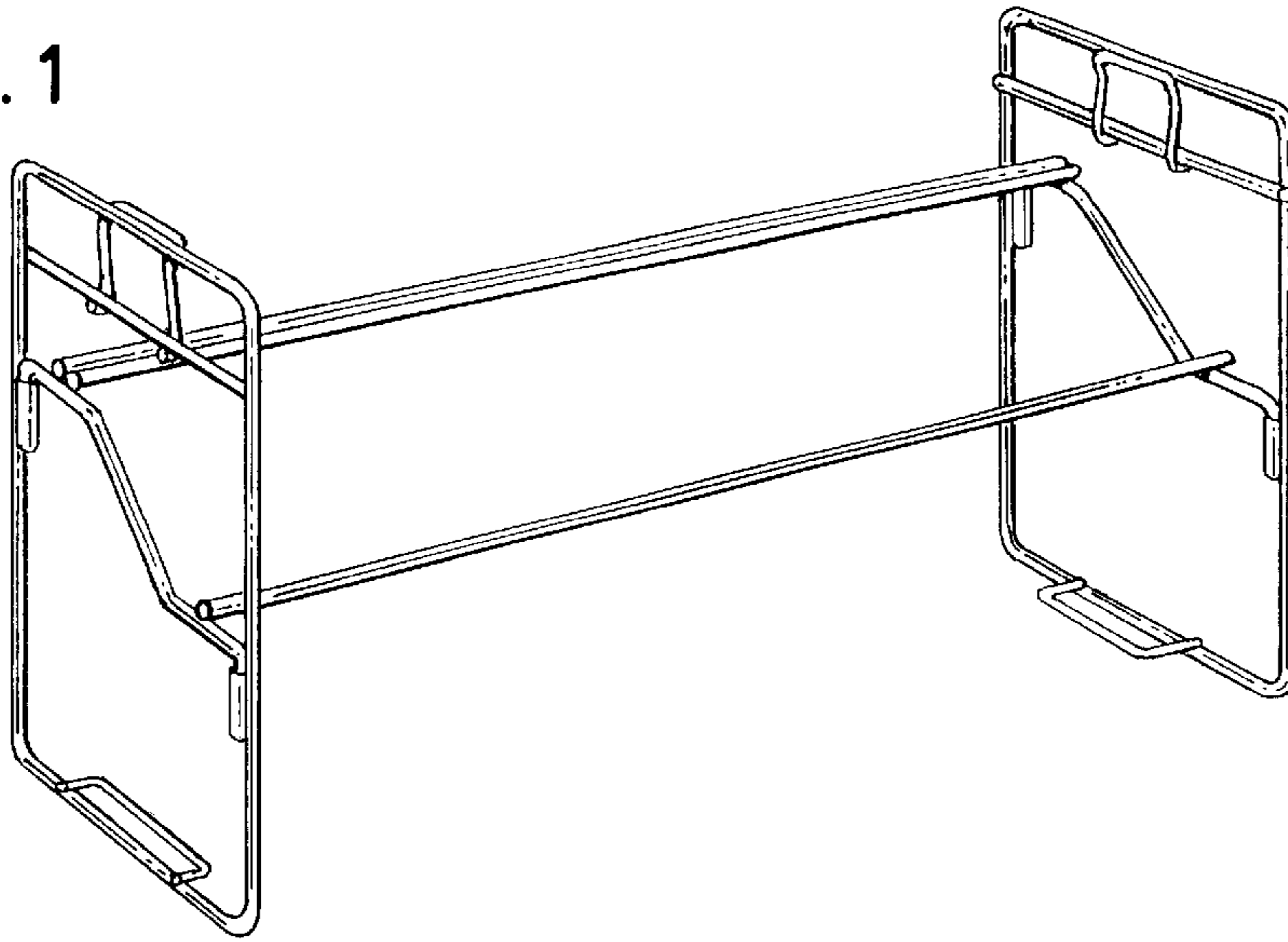


FIG. 2

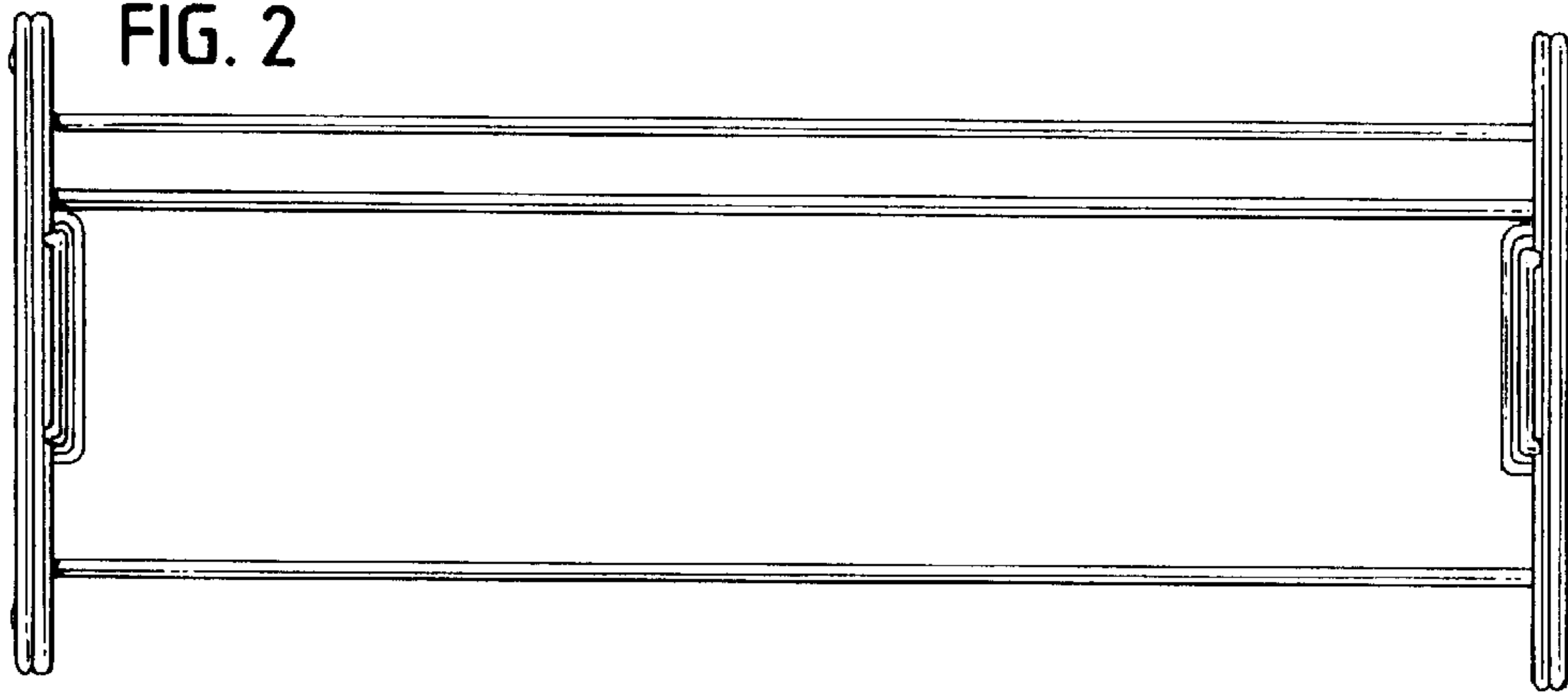


FIG. 3

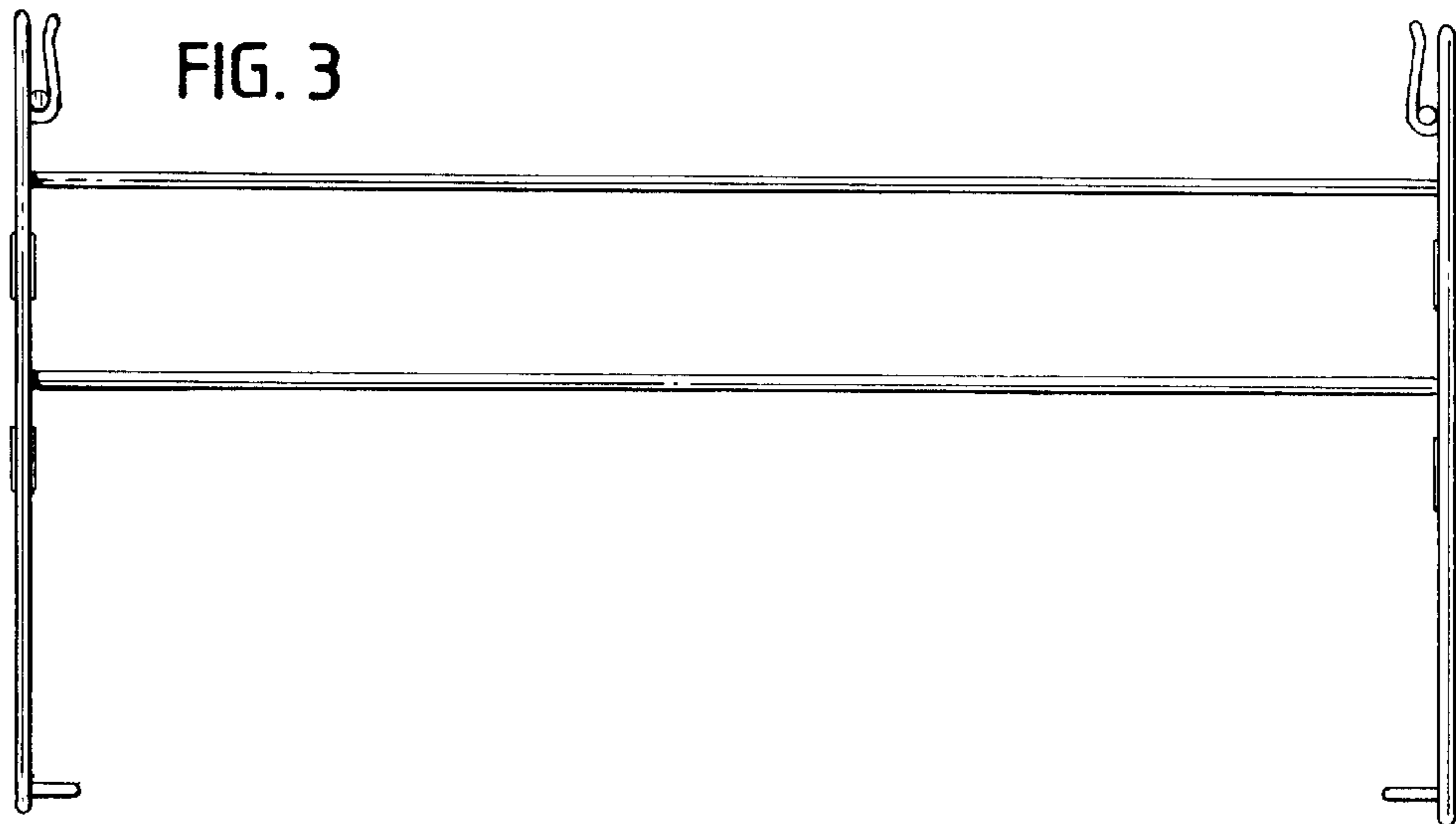


FIG. 4

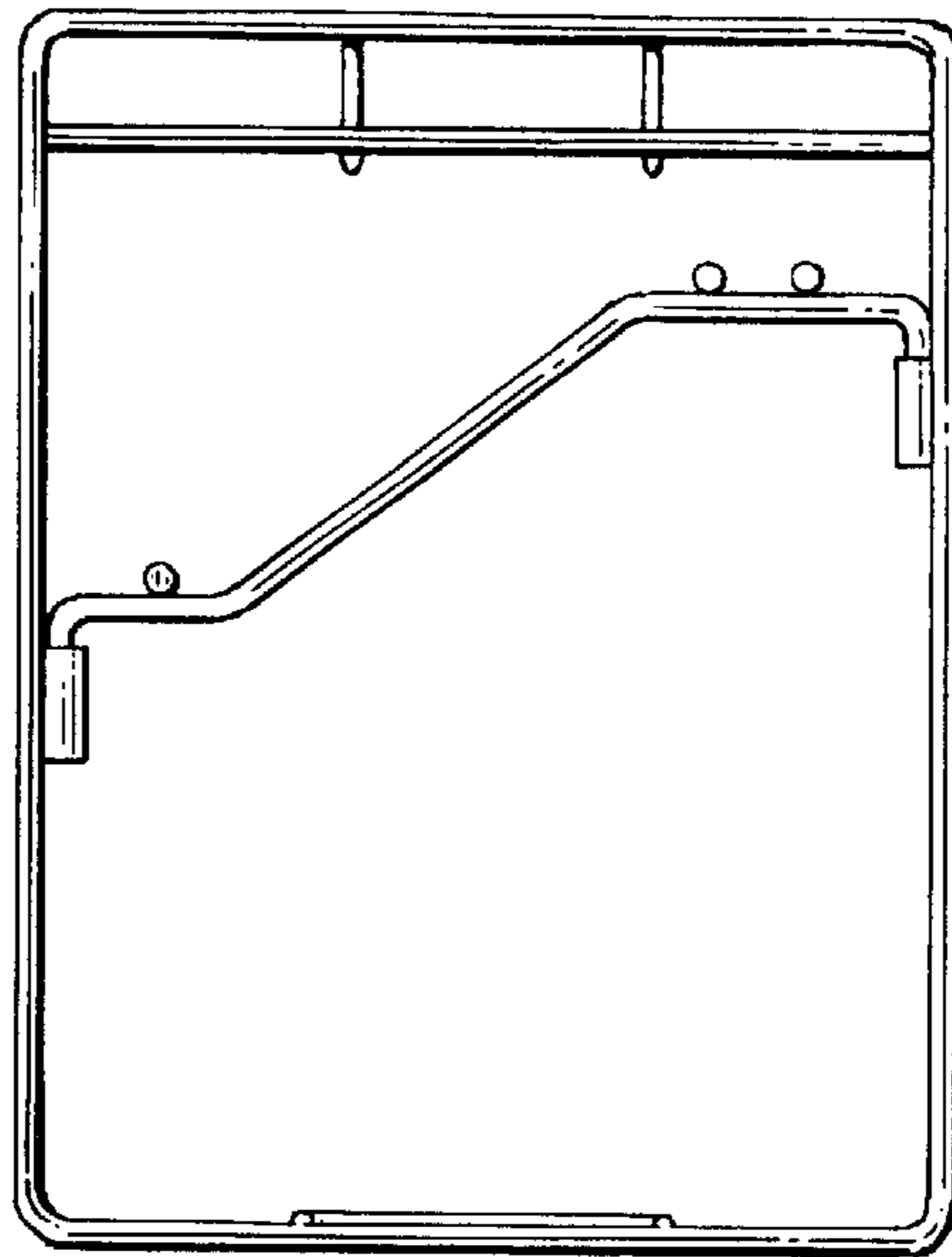


FIG. 5

