



US00D462538S

(12) **United States Design Patent**  
**Bonsall et al.**

(10) **Patent No.:** **US D462,538 S**

(45) **Date of Patent:** **\*\* Sep. 10, 2002**

(54) **RACK STAND**

(75) Inventors: **Glenn D. Bonsall**, Calgary (CA); **Todd G. Simpson**, Calgary (CA)

(73) Assignee: **Clubcom, Inc.**, Pittsburgh, PA (US)

(\*\*) Term: **14 Years**

(21) Appl. No.: **29/122,763**

(22) Filed: **May 3, 2000**

(51) **LOC (7) Cl.** ..... **06-02**

(52) **U.S. Cl.** ..... **D6/411; D6/462**

(58) **Field of Search** ..... D6/396, 407, 410,  
D6/411, 418, 449, 462, 466; 211/13.1, 42,  
43, 123, 124, 181.1, 182; 248/124.1, 448,  
302

(56) **References Cited**

**U.S. PATENT DOCUMENTS**

2,893,568	A	*	7/1959	Scholz	.....	211/204
D211,431	S	*	6/1968	Gelles	.....	D6/411
D278,670	S	*	5/1985	Schoenig	.....	D6/463
D358,506	S	*	5/1995	Lara	.....	D6/411
D364,978	S	*	12/1995	Smith	.....	D6/431
5,718,344	A	*	2/1998	Joldeson et al.	.....	211/206
5,979,857	A	*	11/1999	Holm	.....	248/451

\* cited by examiner

*Primary Examiner*—Cathron C Brooks

(74) *Attorney, Agent, or Firm*—Reed Smith LLP

(57) **CLAIM**

I claim the ornamental design for a rack stand, as shown and described.

**DESCRIPTION**

FIG. 1 is an isometric view of a rack stand, showing my new design, from the front, top, and left side;

FIG. 2 is a top plan view thereof;

FIG. 3 is a bottom plan view thereof;

FIG. 4 is a front elevational view thereof;

FIG. 5 is a back elevational view thereof;

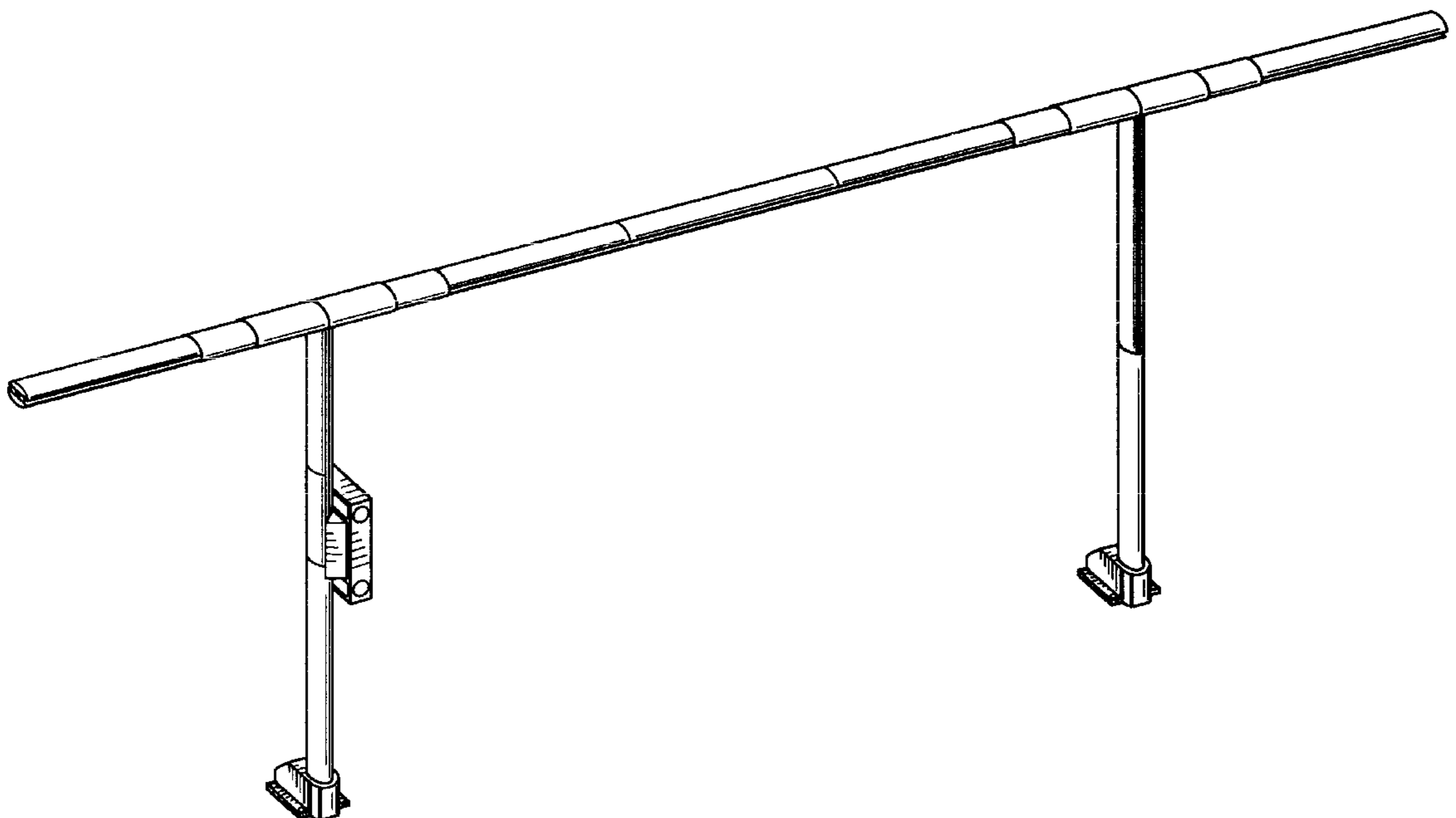
FIG. 6 is a side elevational view, slightly enlarged, thereof from the left side;

FIG. 7 is a side elevational view, slightly enlarged, thereof from the right side; and,

FIG. 8 is an isometric view showing my new design from the front, top and left side, wherein the phantom representation of the informational units is made for the purpose of illustrating the environment in which the rack stand is used.

The broken line disclosure of environment forms no part of the claimed design.

**1 Claim, 6 Drawing Sheets**



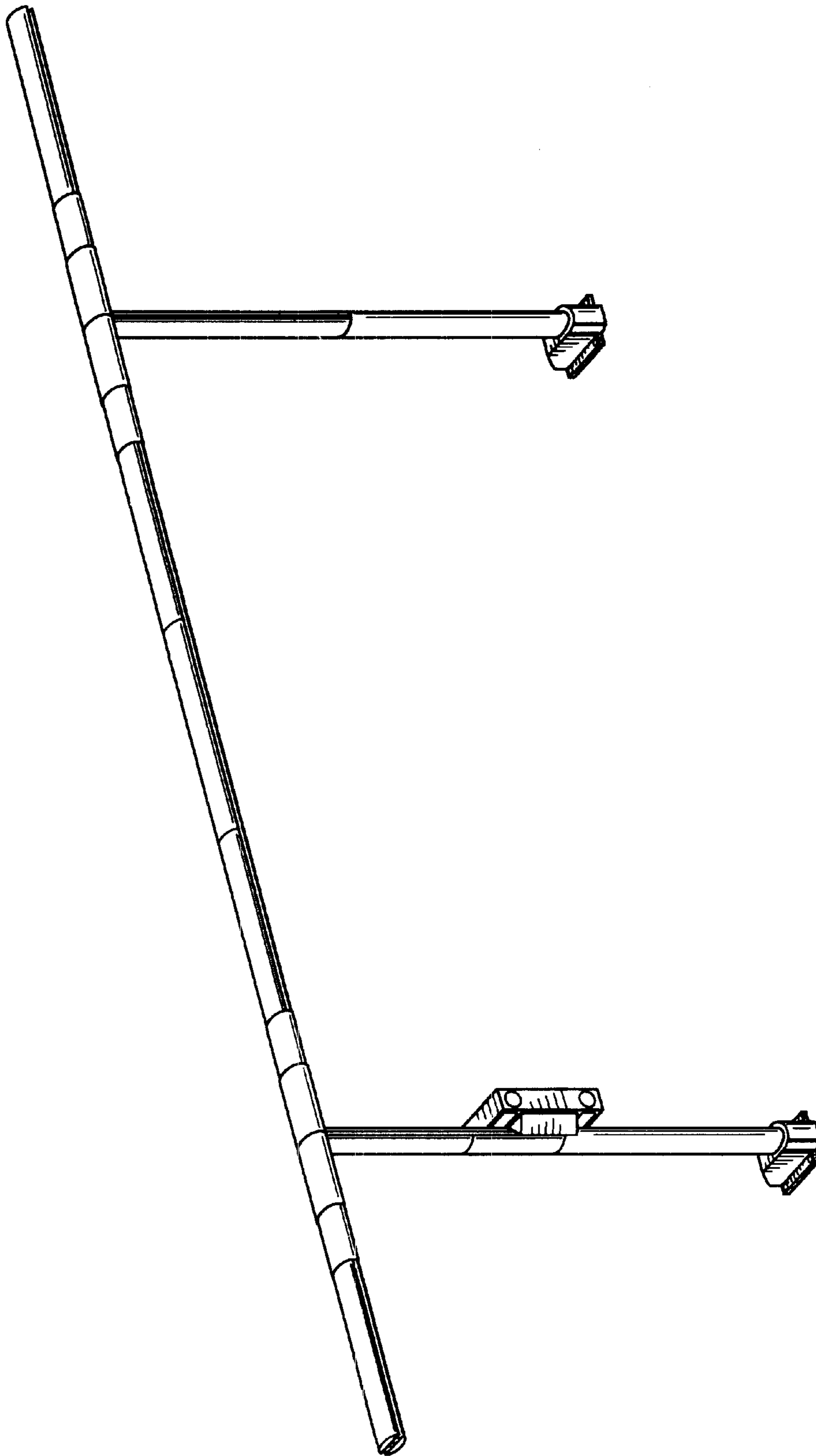


FIG. 1

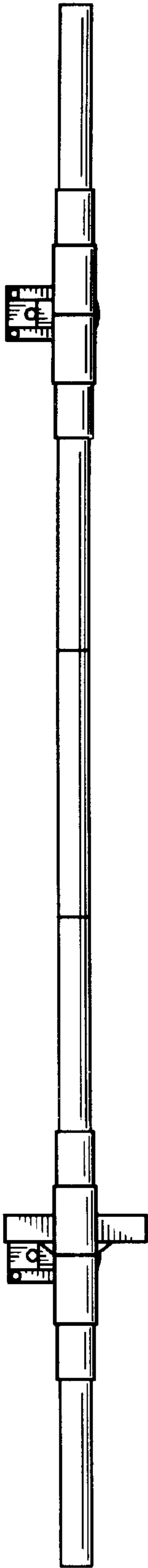


FIG. 2

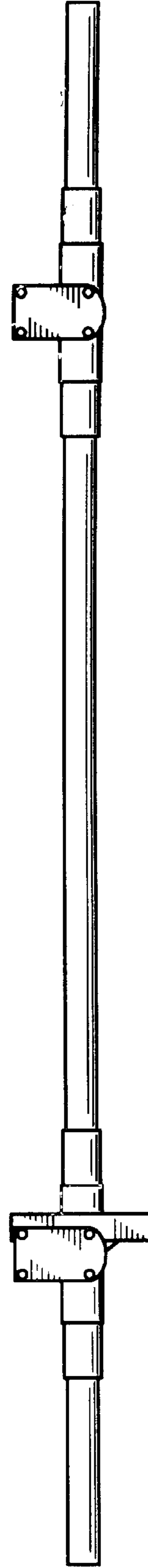


FIG. 3

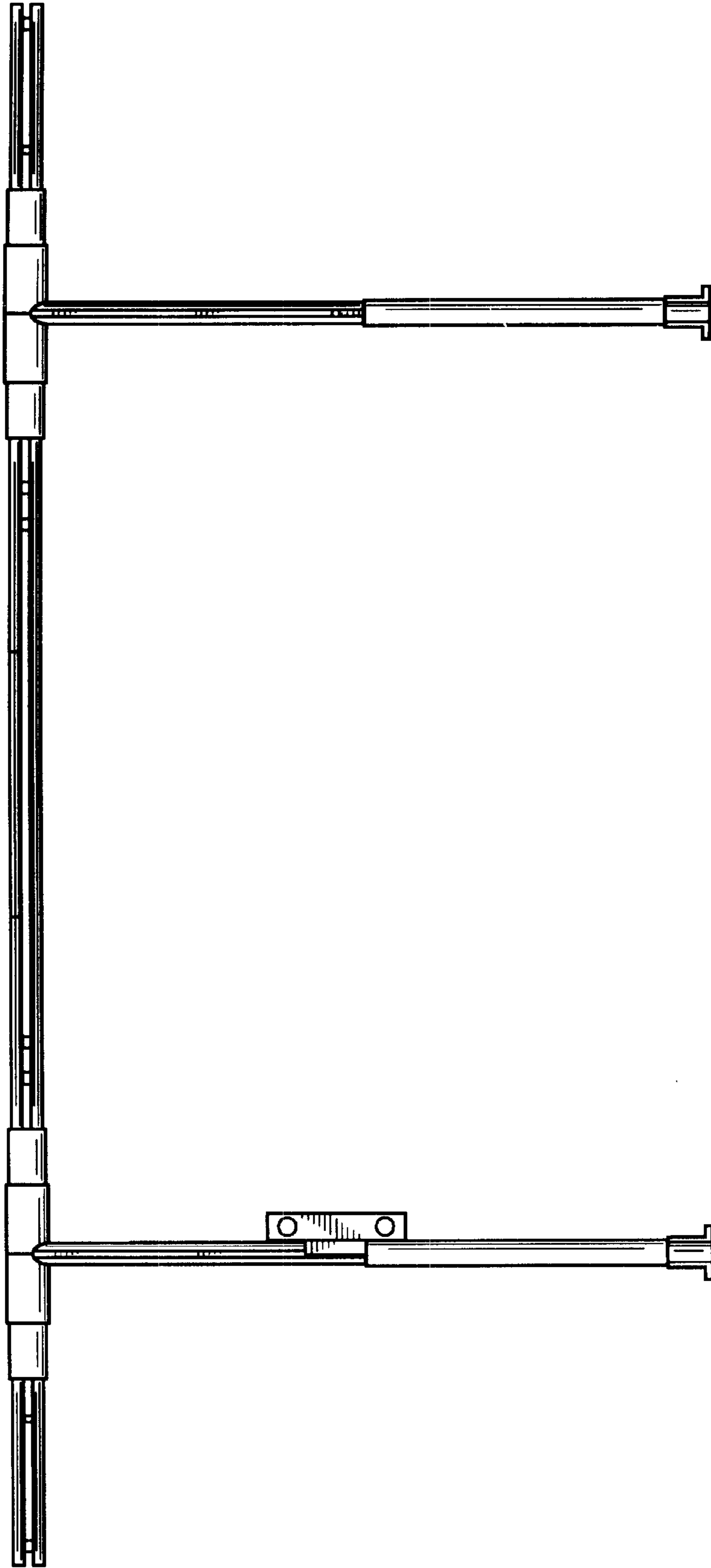


FIG. 4

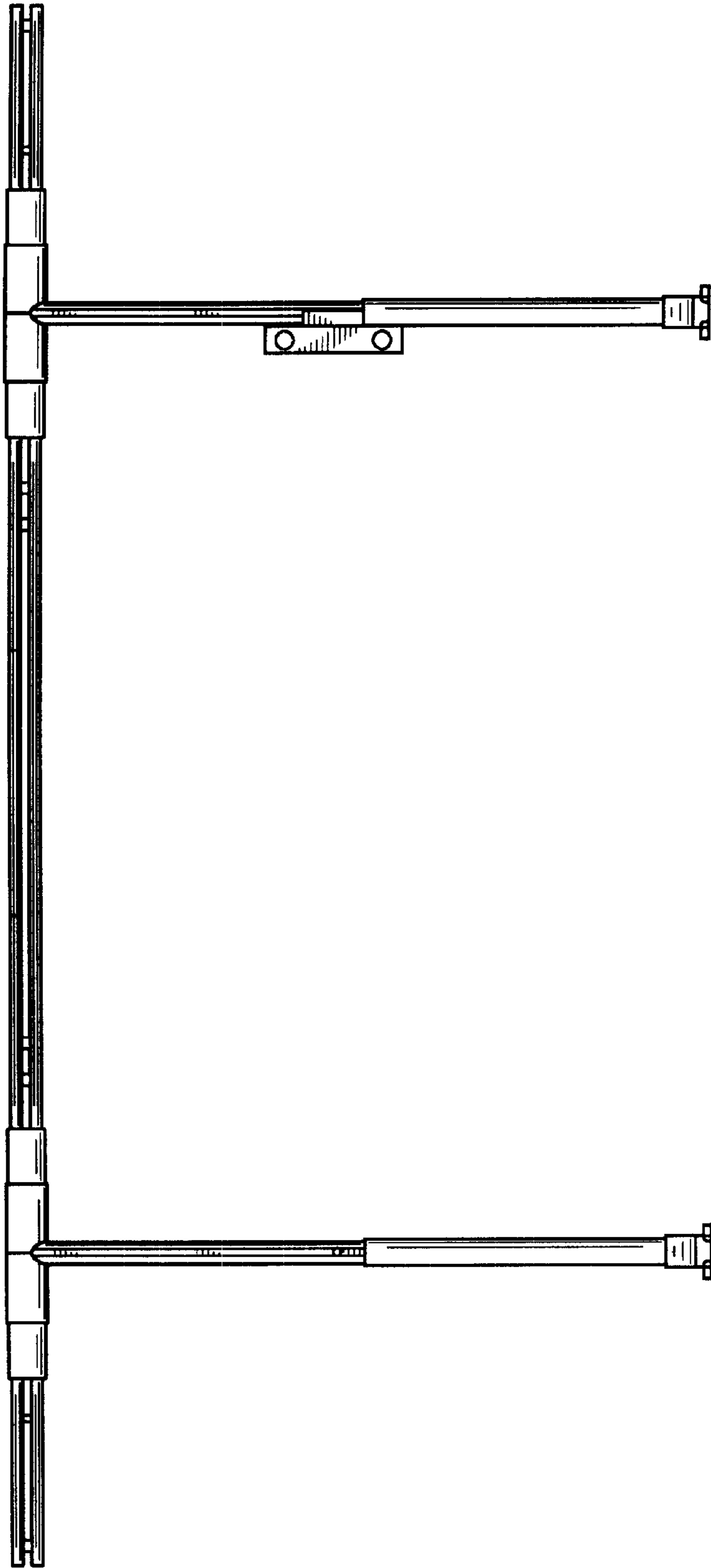


FIG. 5

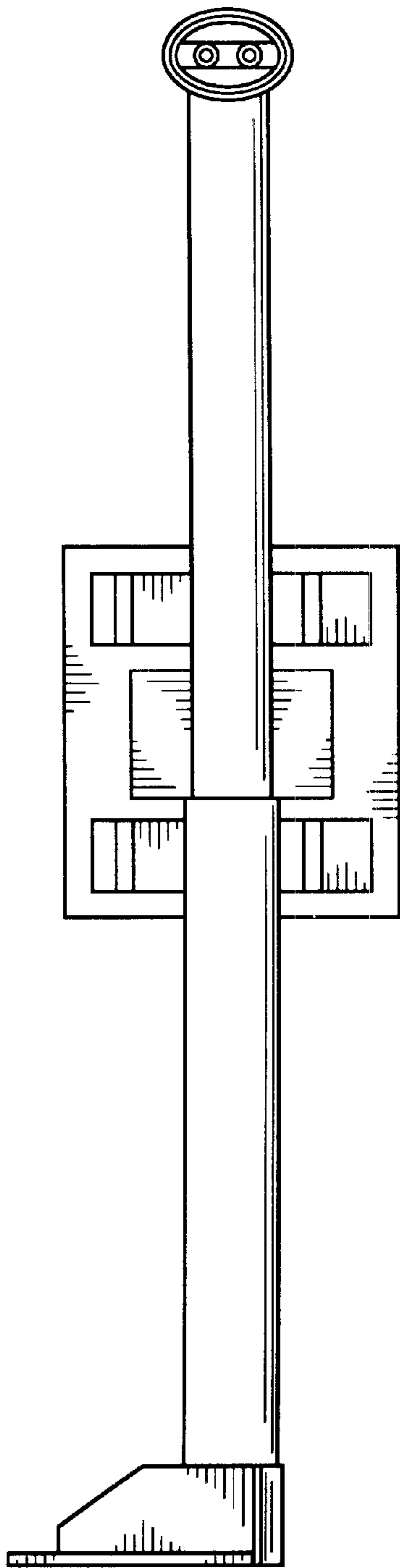


FIG. 6

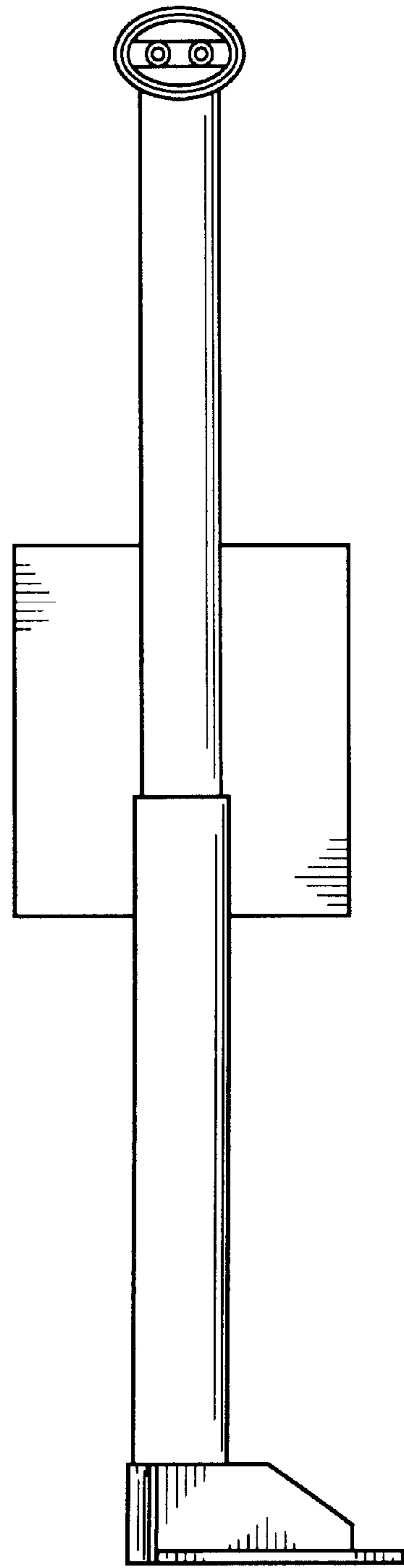


FIG. 7

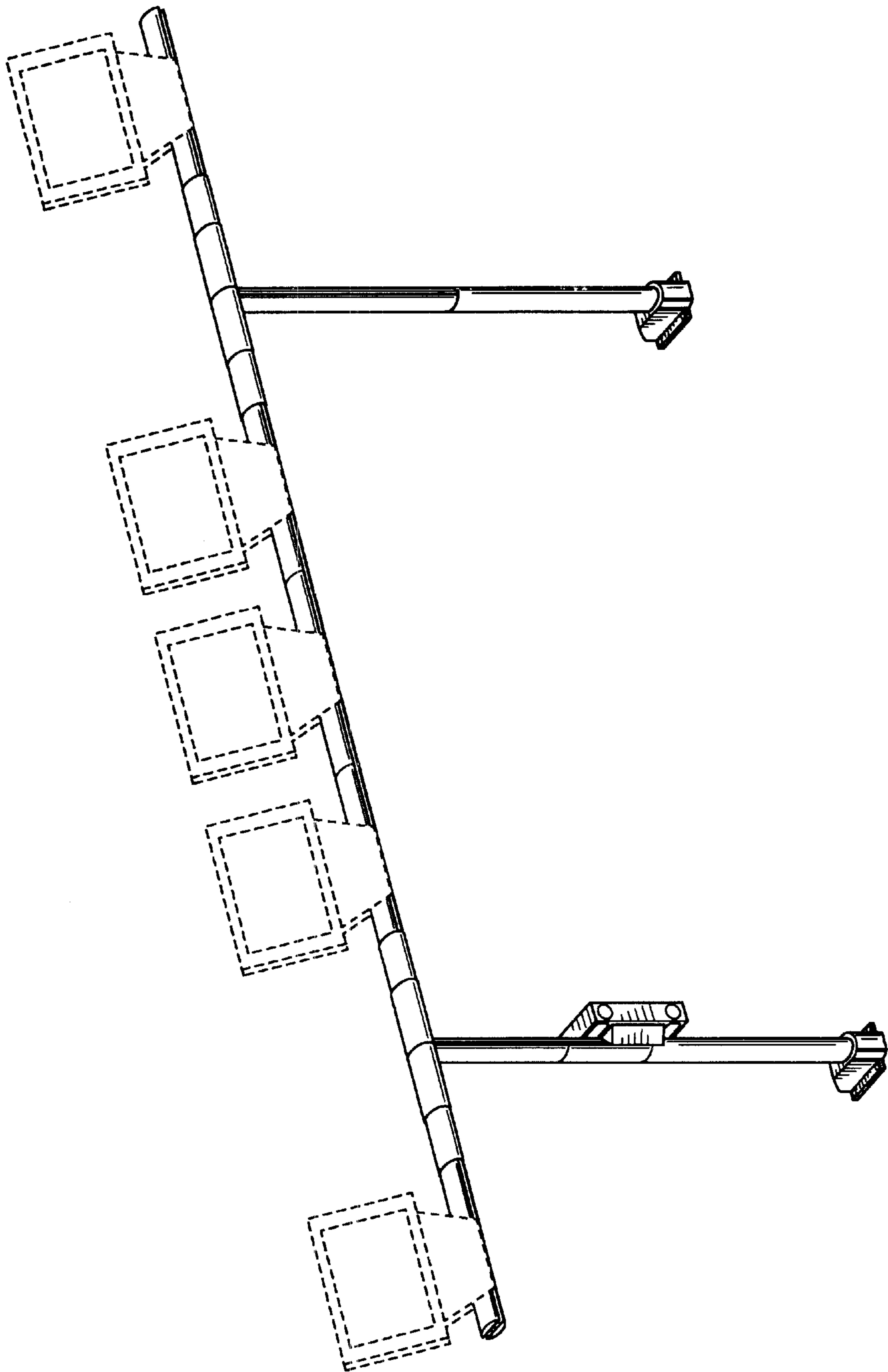


FIG. 8