



US00D462533S

(12) **United States Design Patent**
Popham et al.

(10) **Patent No.:** **US D462,533 S**

(45) **Date of Patent:** **** Sep. 10, 2002**

(54) **LOUNGE CHAIR**

(75) Inventors: **Randy L. Popham; Ogden R. Olson; Craig H. Schultz**, all of Muscatine, IA (US)

(73) Assignee: **HON Technology Inc.**, Muscatine, IA (US)

(**) Term: **14 Years**

(21) Appl. No.: **29/140,016**

(22) Filed: **Apr. 11, 2001**

(51) **LOC (7) Cl.** **06-01**

(52) **U.S. Cl.** **D6/334; D6/381**

(58) **Field of Search** D6/334, 335, 336, D6/360, 367, 371, 373, 374, 375, 379, 381, 500, 501, 502, 232; 297/445.1, DIG. 7

(56) **References Cited**

U.S. PATENT DOCUMENTS

D90,495 S	*	8/1933	McChesney et al.	D6/379
D114,065 S	*	4/1939	Hasenstein	D6/379
D180,226 S	*	5/1957	Ensign et al.	D6/360
D247,464 S	*	3/1978	Fisher	D6/379
D299,190 S	*	1/1989	Mulhauser	D6/367
D336,167 S	*	6/1993	Yamasaki et al.	D6/367
D411,687 S	*	6/1999	Lewis et al.	D6/334
D447,347 S	*	9/2001	Schultz	D6/334

OTHER PUBLICATIONS

Delta catalog, p. 8, Andromeda chairs, 2nd down on left.*
Delta catalog, p. 23, seating units on bottom half of page.*

* cited by examiner

Primary Examiner—Gary D. Watson

(74) *Attorney, Agent, or Firm*—Jones, Day, Reavis & Pogue

(57) **CLAIM**

The ornamental design for a lounge chair, as shown and described.

DESCRIPTION

FIG. 1 is a left, front perspective view of a lounge chair showing our new design;

FIG. 2 is a front view thereof;

FIG. 3 is a rear view thereof;

FIG. 4 is a top view thereof;

FIG. 5 is a right side view, the opposite side view being a mirror image thereof;

FIG. 6 is a right front perspective view of a alternative embodiment of the lounge chair;

FIG. 7 is a front view thereof;

FIG. 8 is a rear view thereof;

FIG. 9 is a top view thereof;

FIG. 10 is a right side view, the opposite side view being a mirror image thereof;

FIG. 11 is a left, front perspective view of another alternative embodiment of the lounge chair;

FIG. 12 is a front view thereof;

FIG. 13 is a rear view thereof;

FIG. 14 is a top view thereof; and,

FIG. 15 is a right side view, the opposite side view being a mirror image thereof.

1 Claim, 6 Drawing Sheets

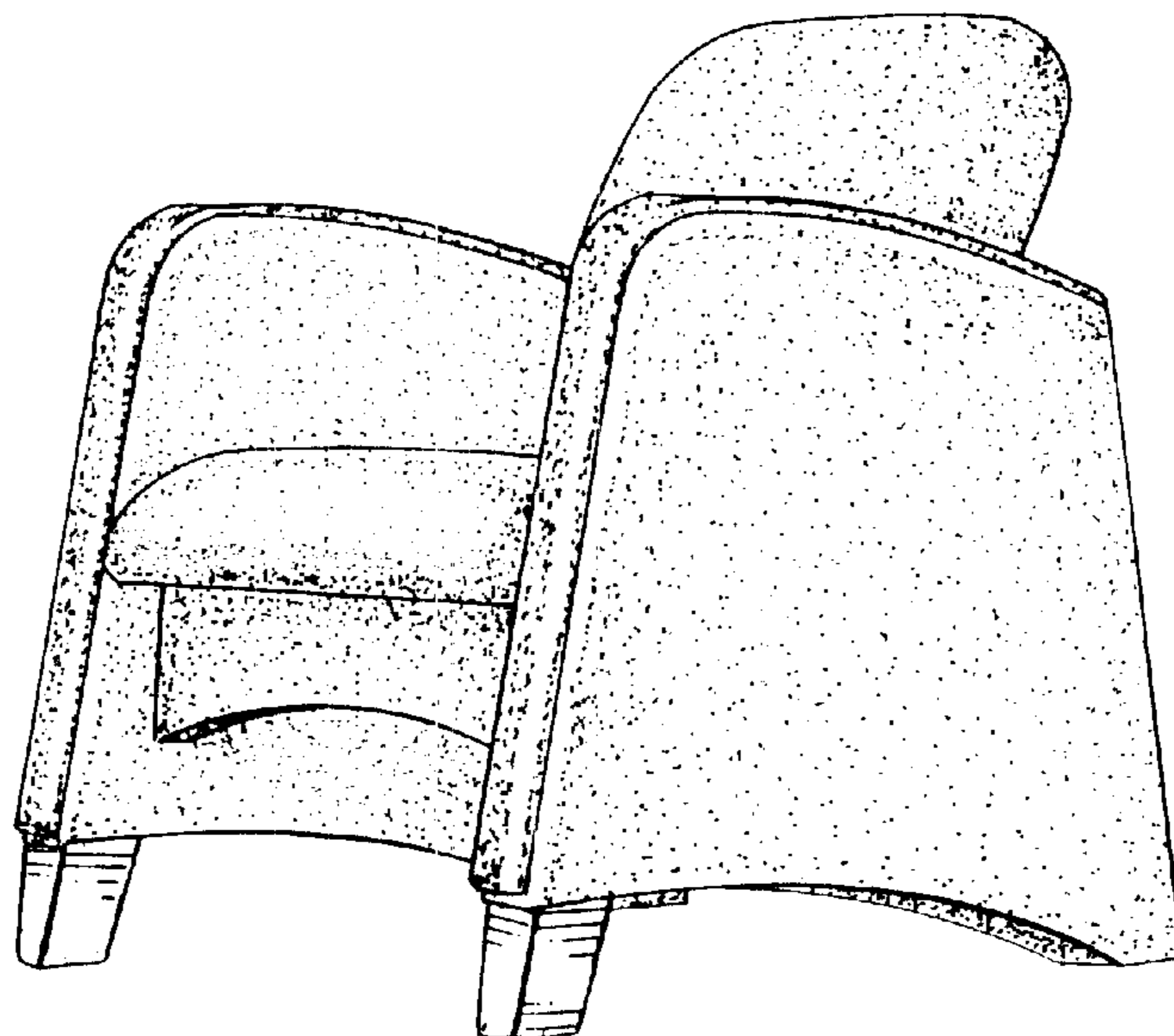


FIG. 1

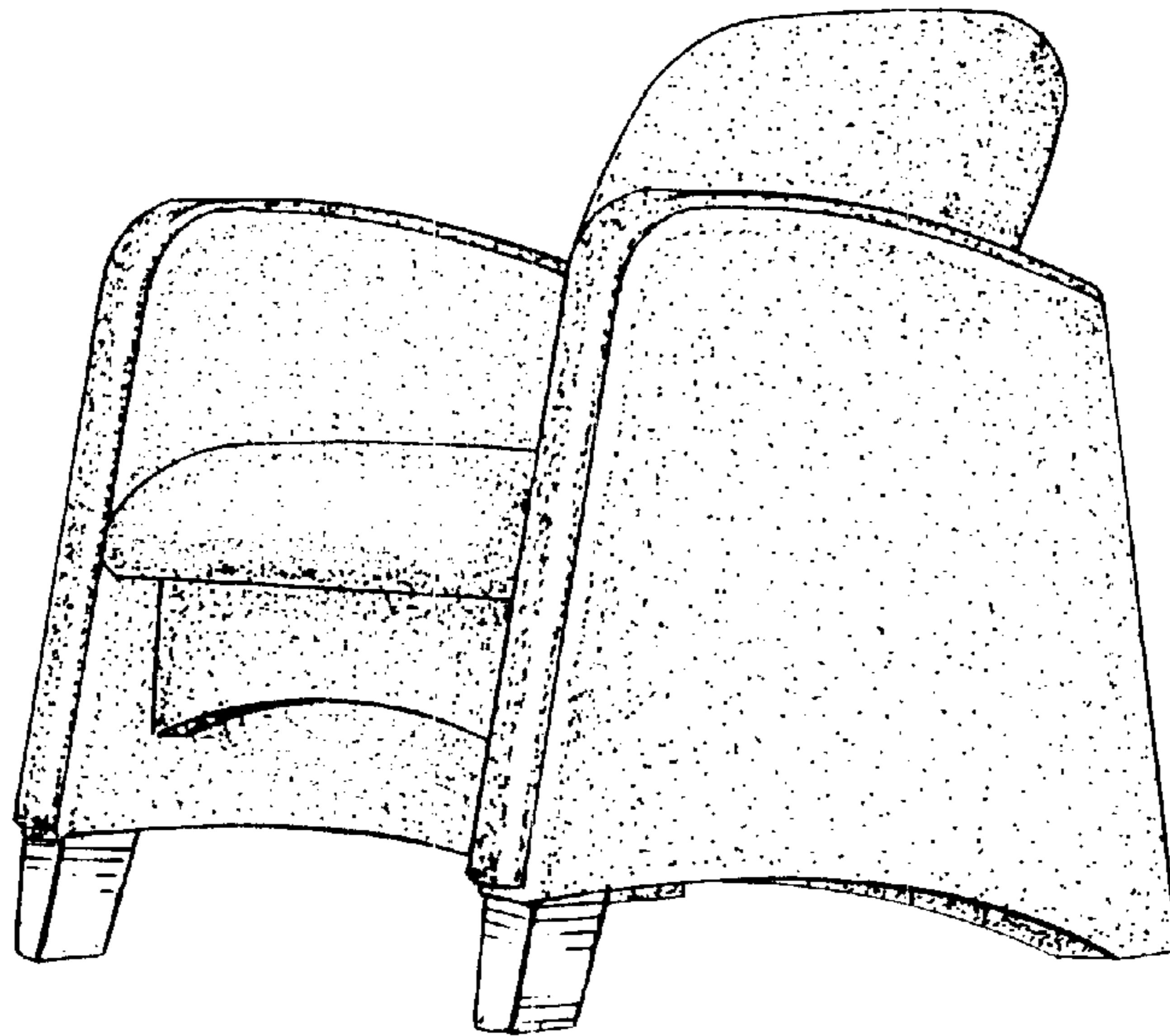


FIG. 2

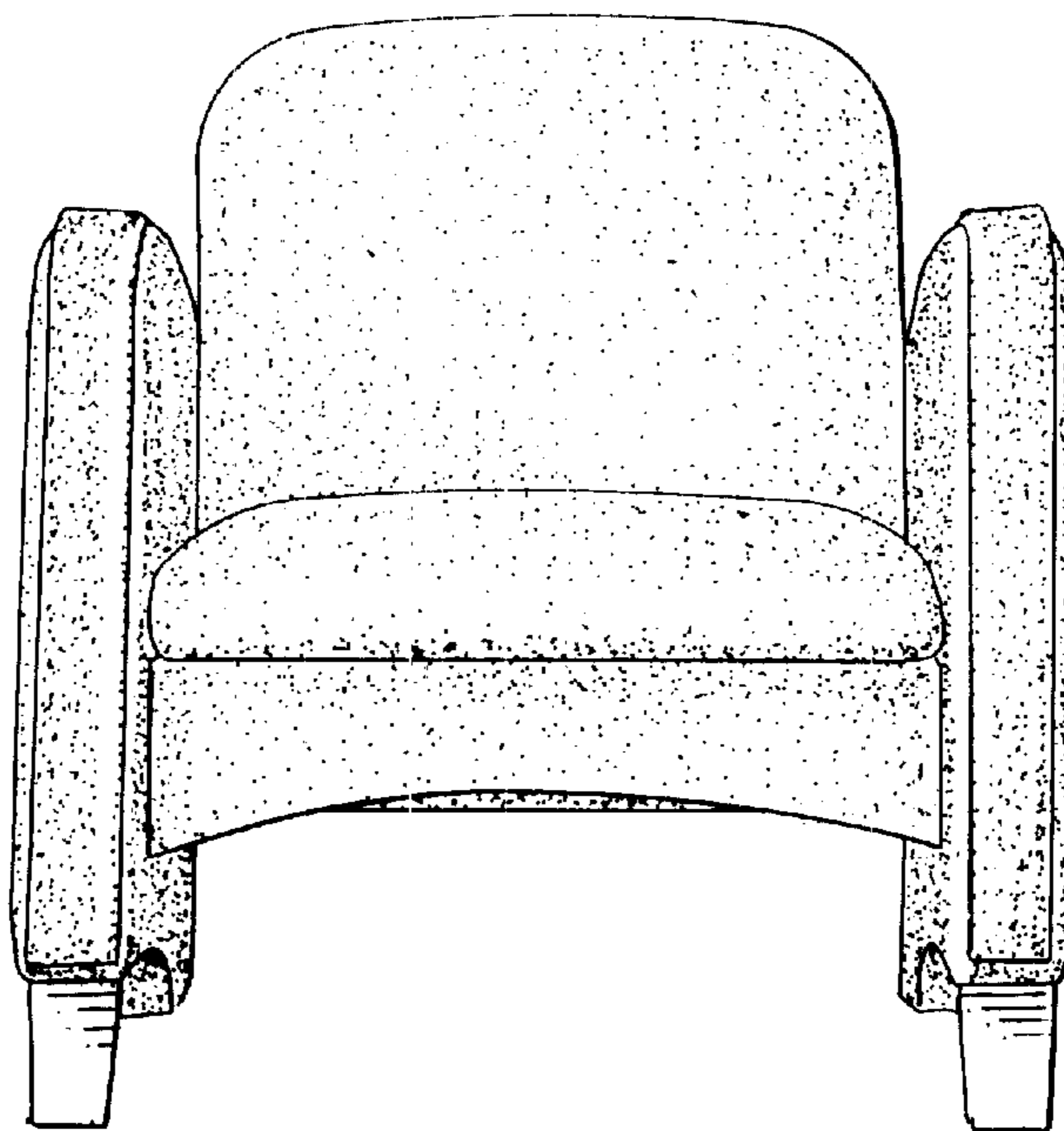


FIG. 3

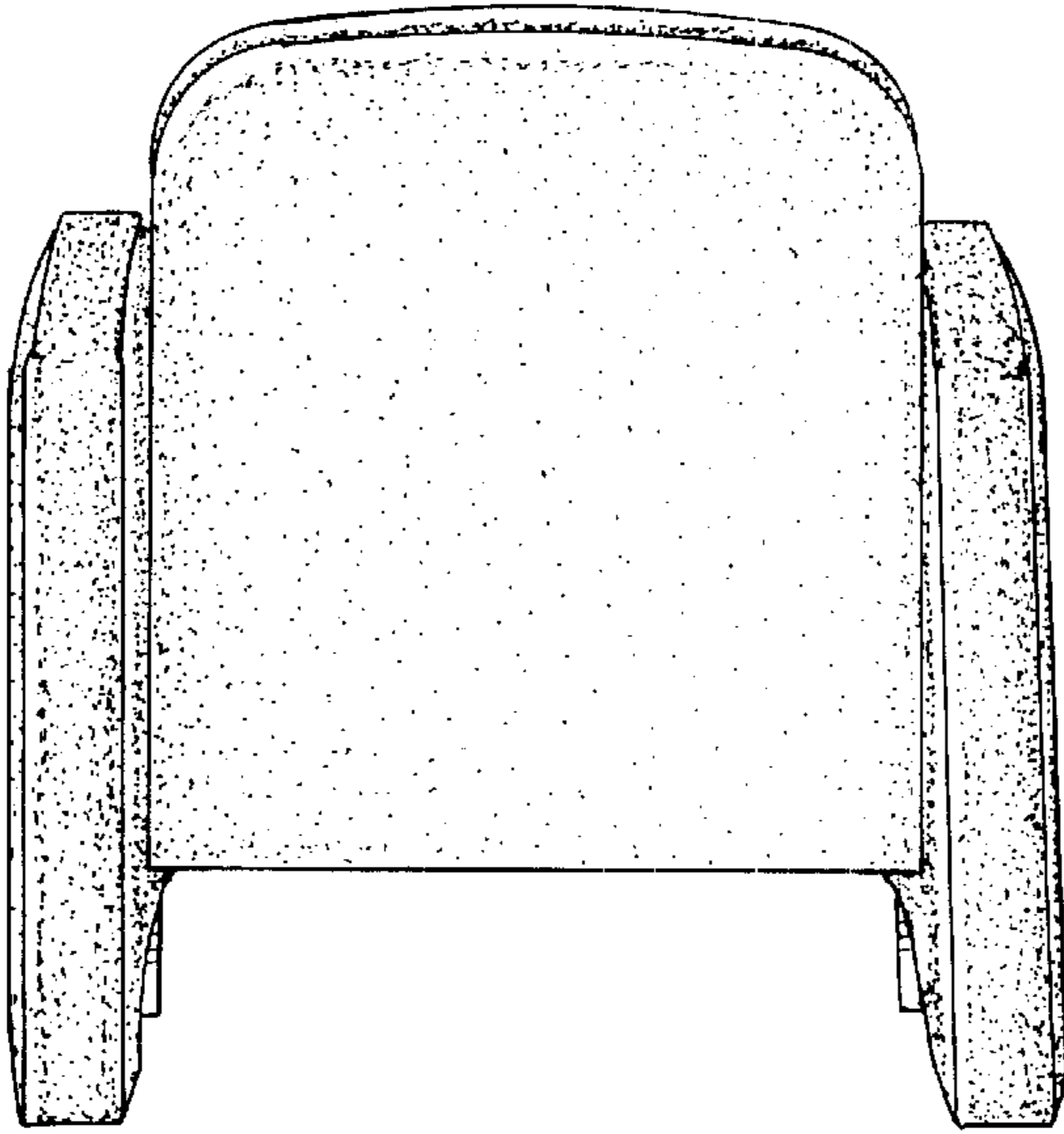


FIG. 4

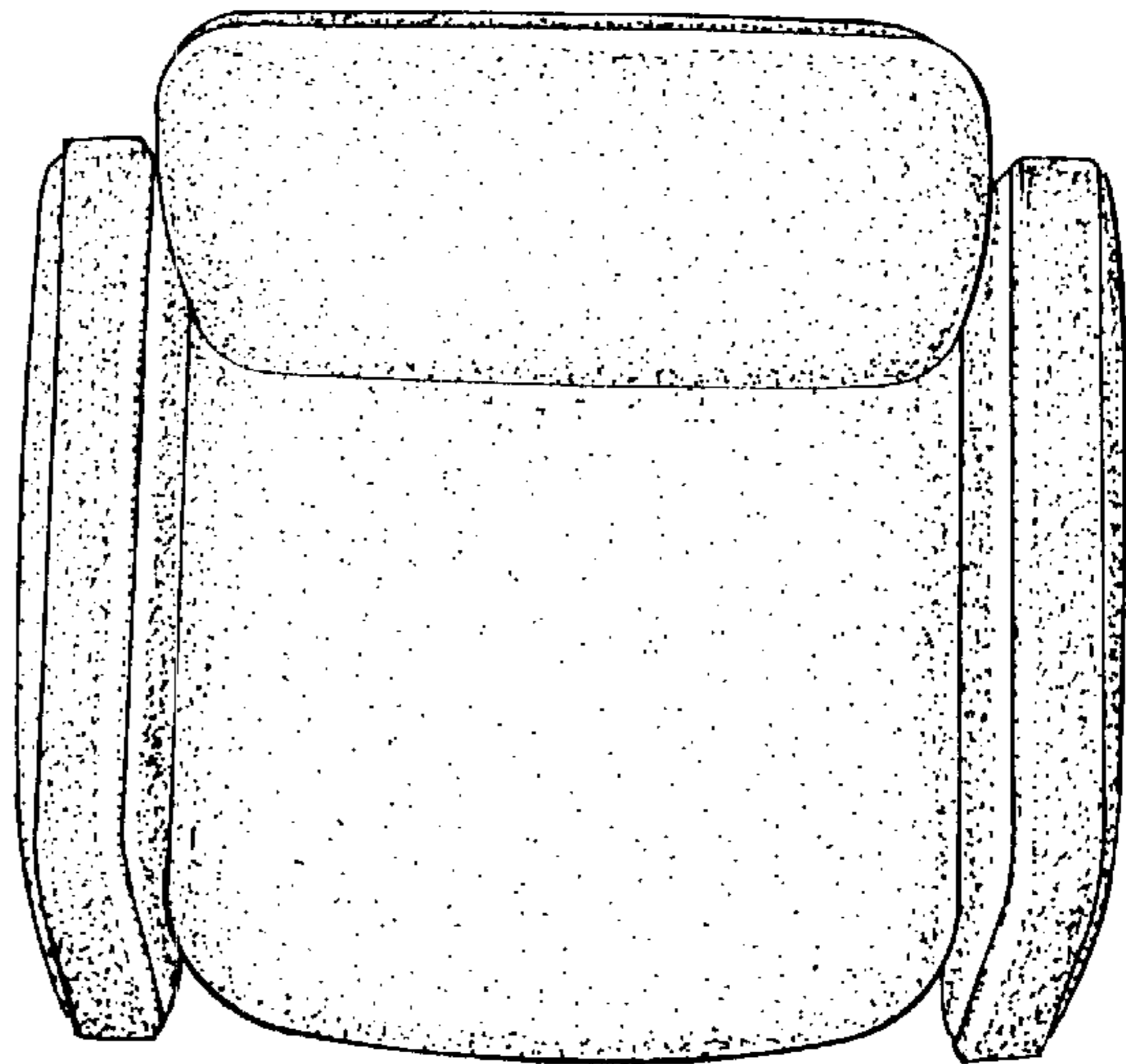


FIG. 5

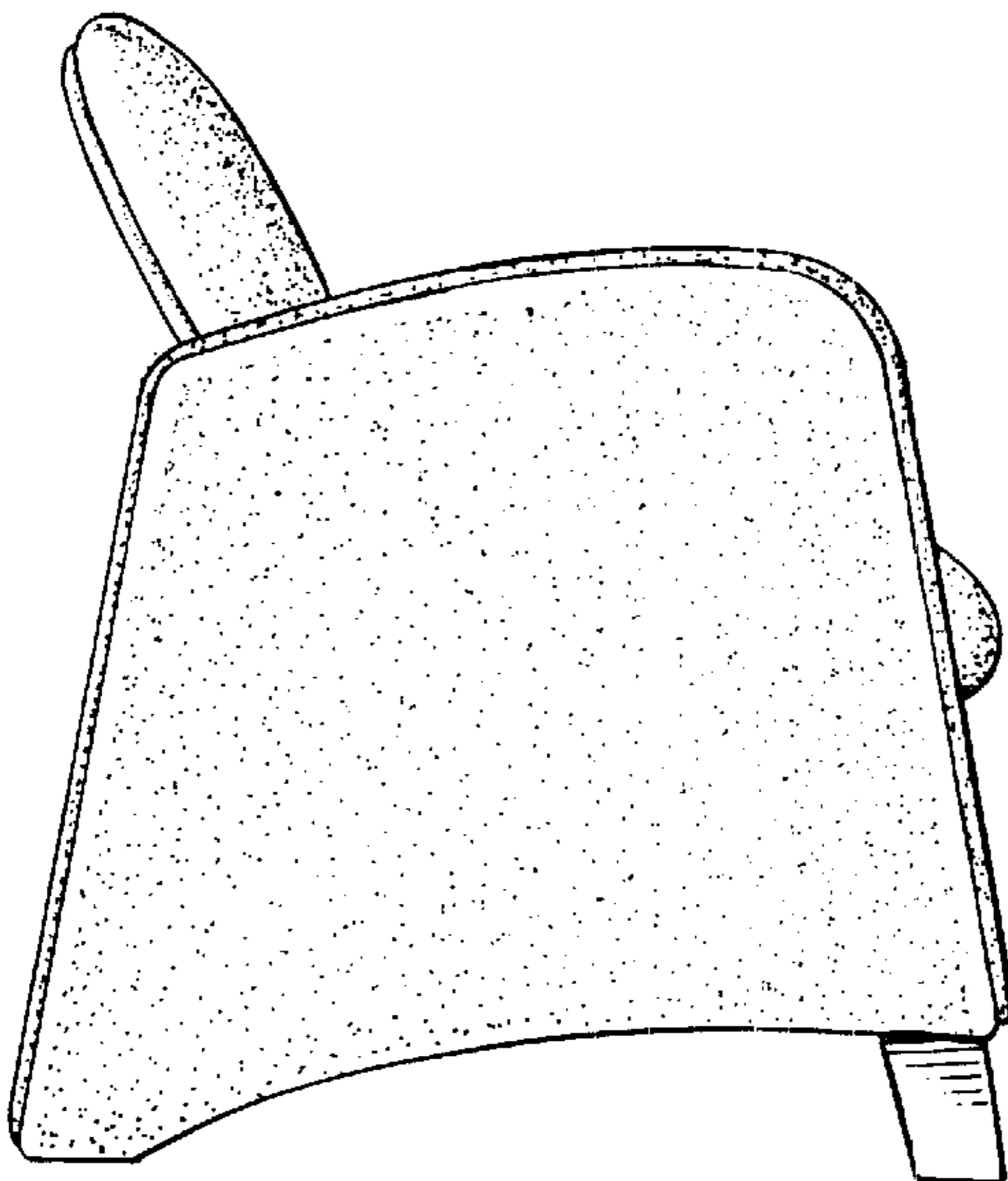


FIG. 6

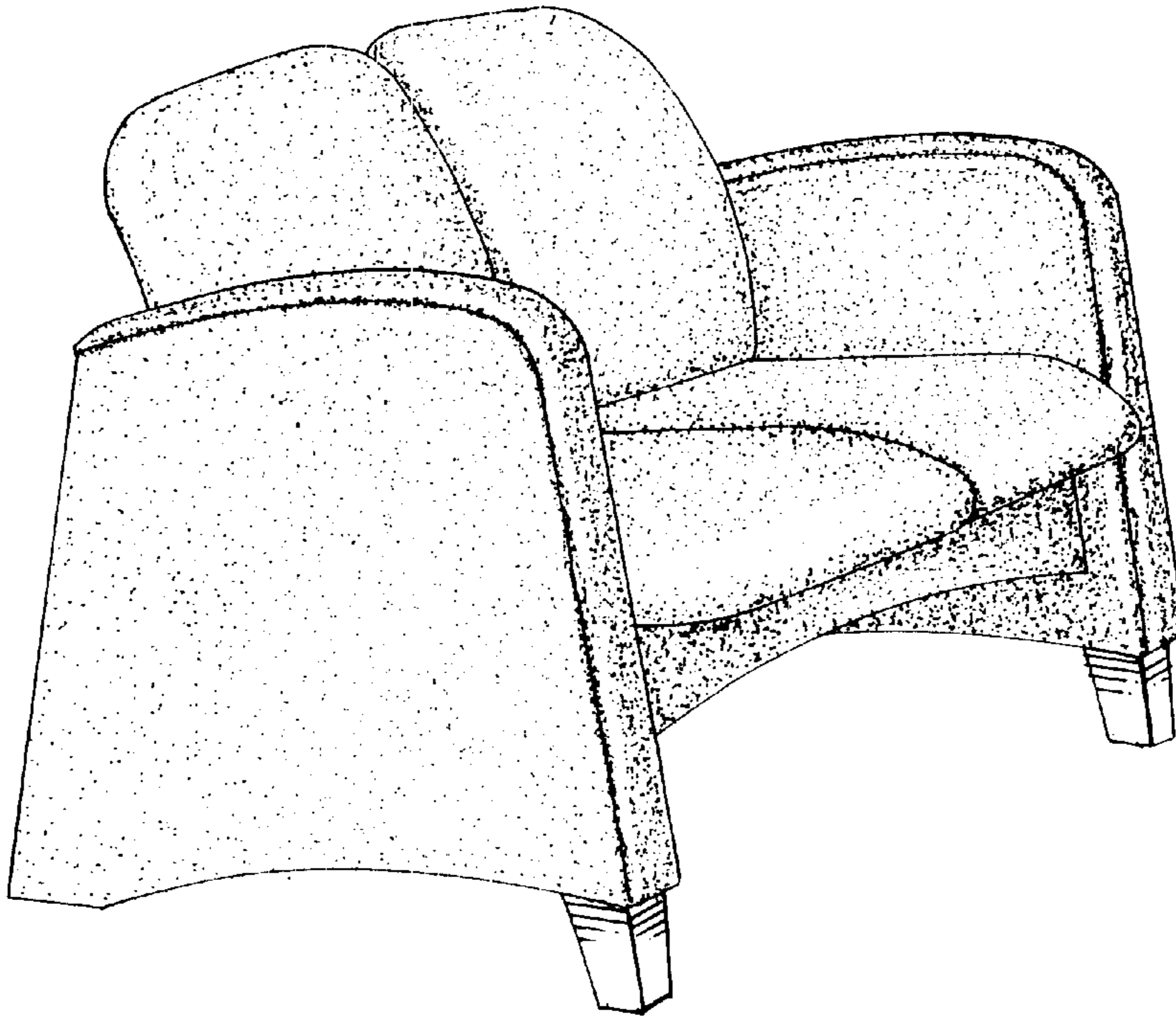


FIG. 7

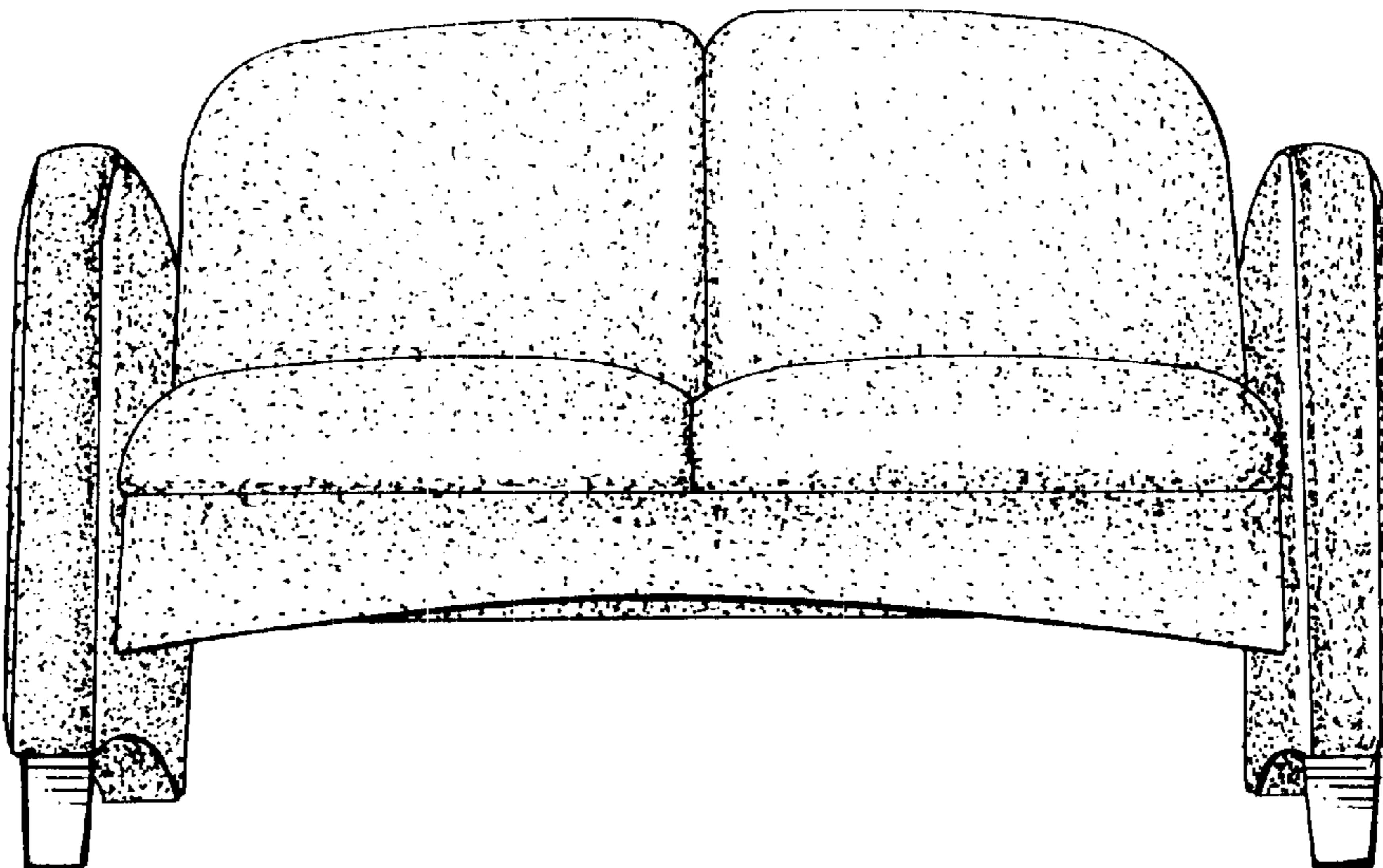


FIG. 8

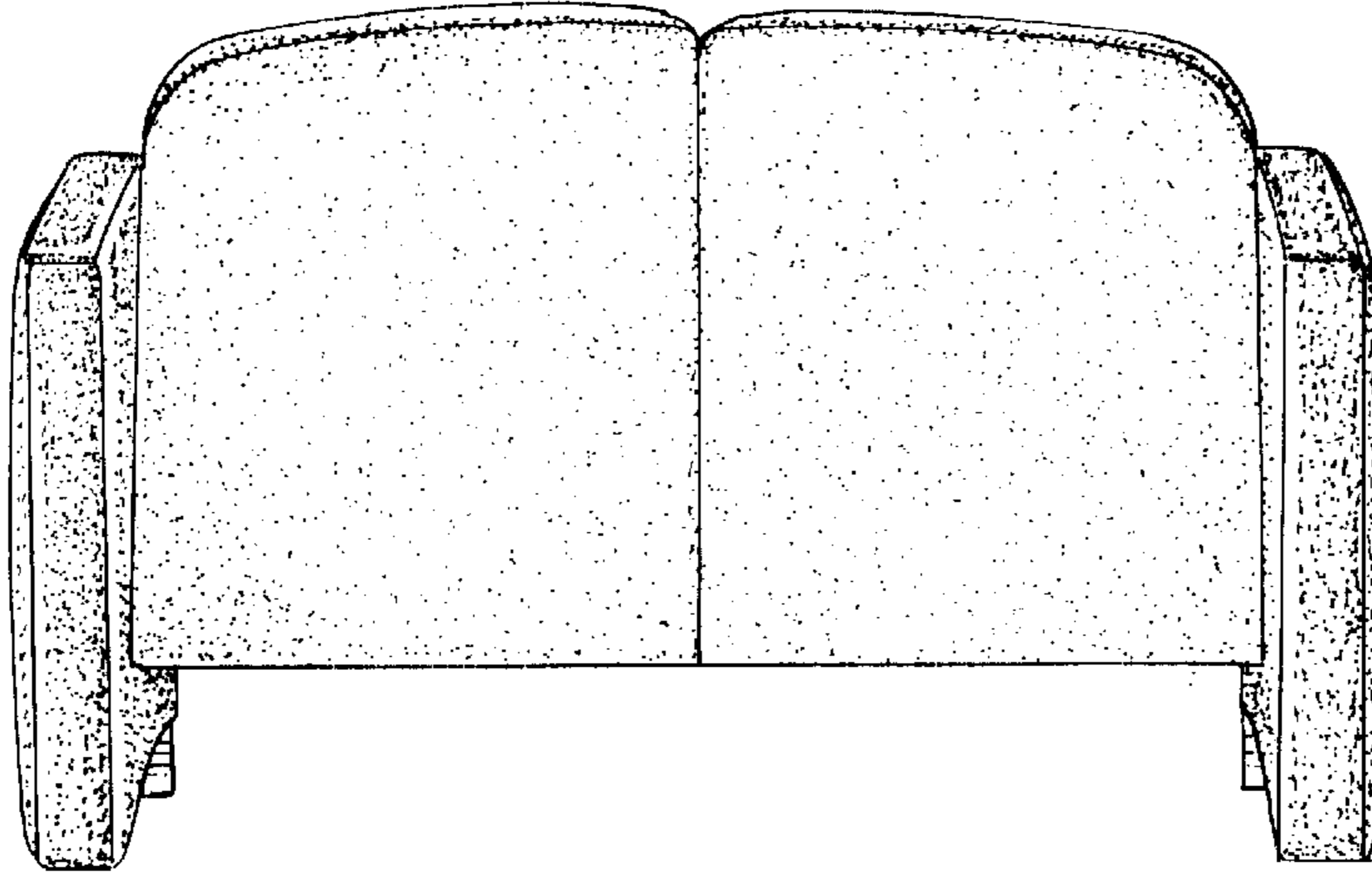


FIG. 9

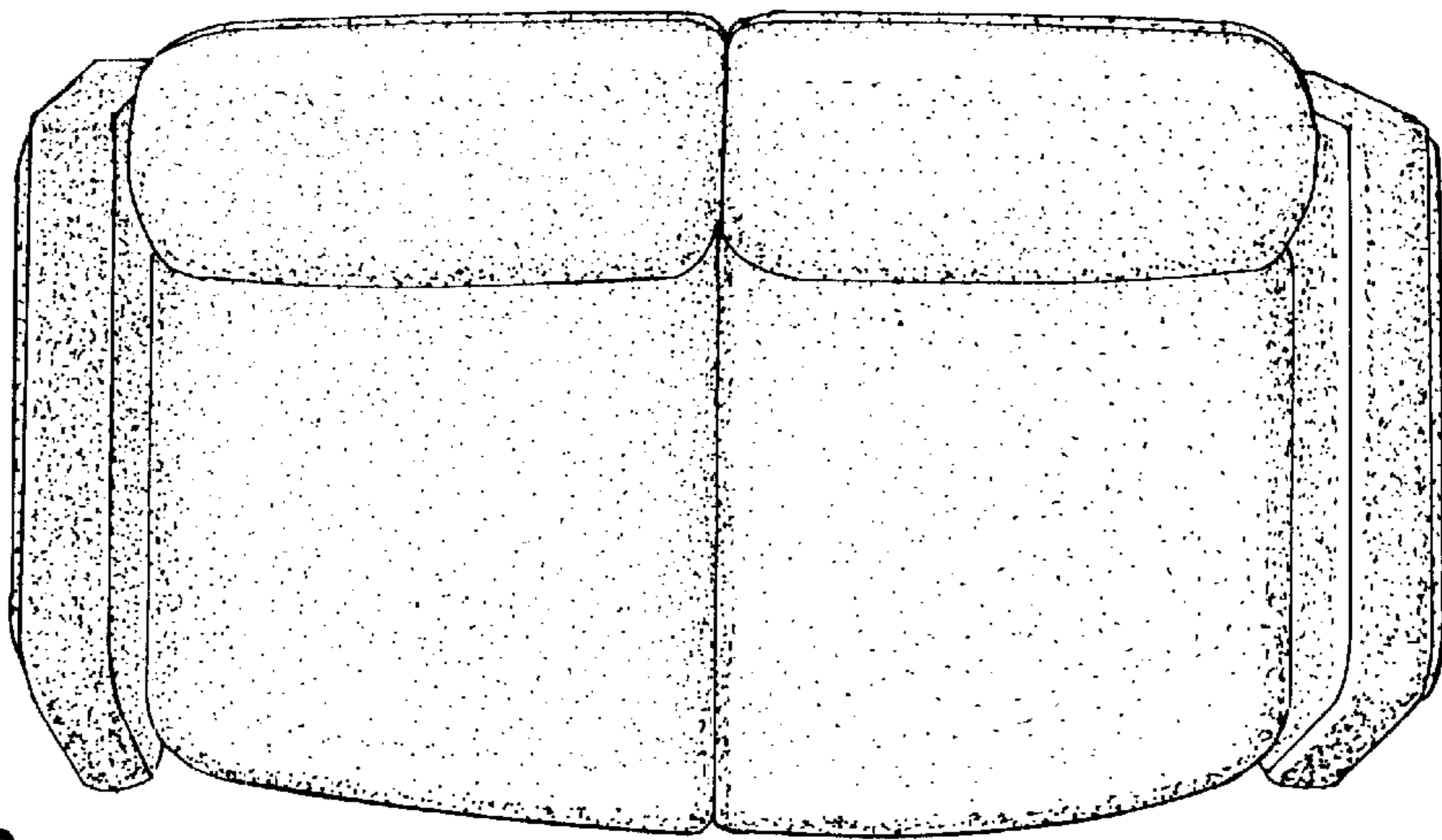


FIG. 10

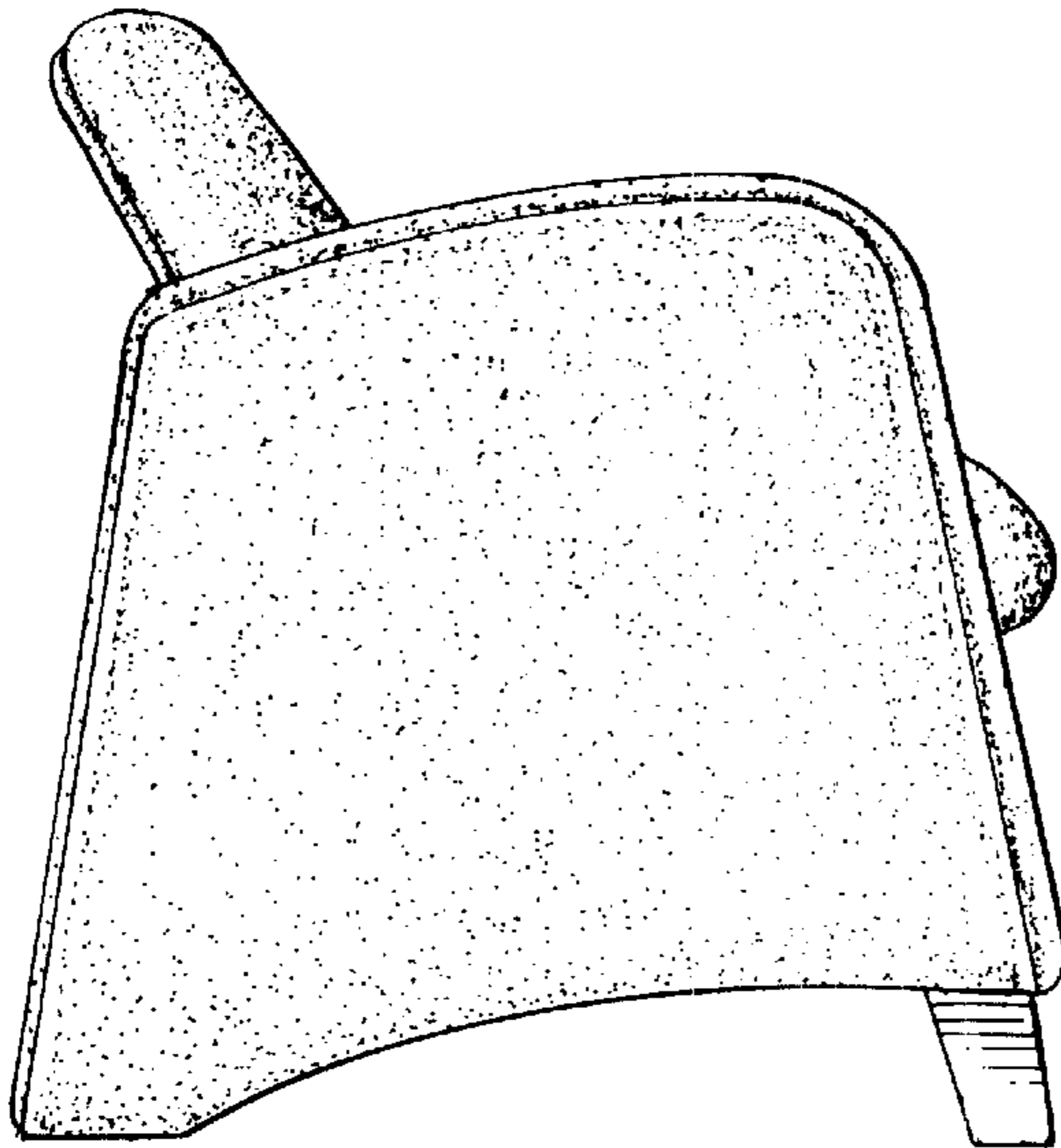


FIG. 11

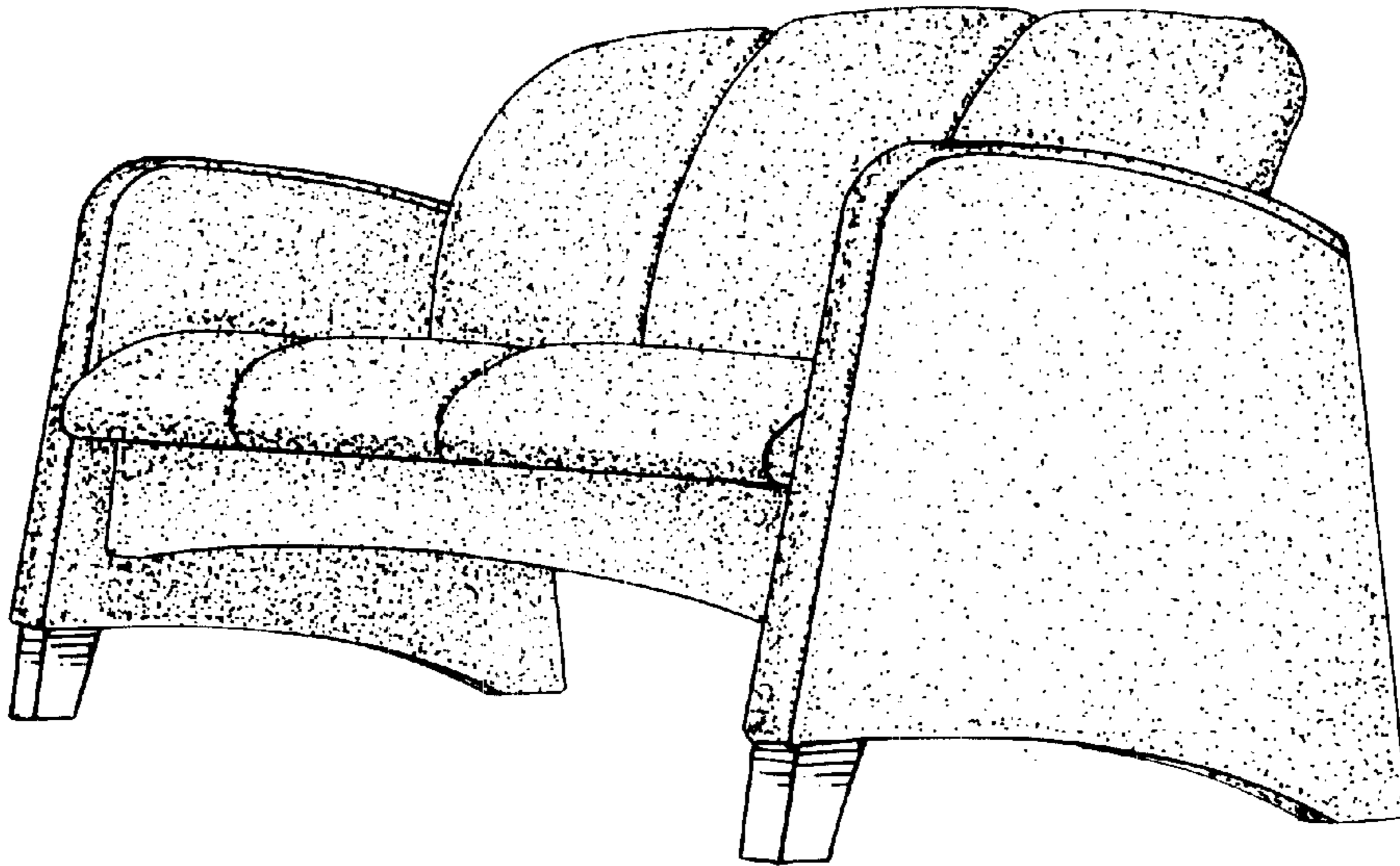


FIG. 12

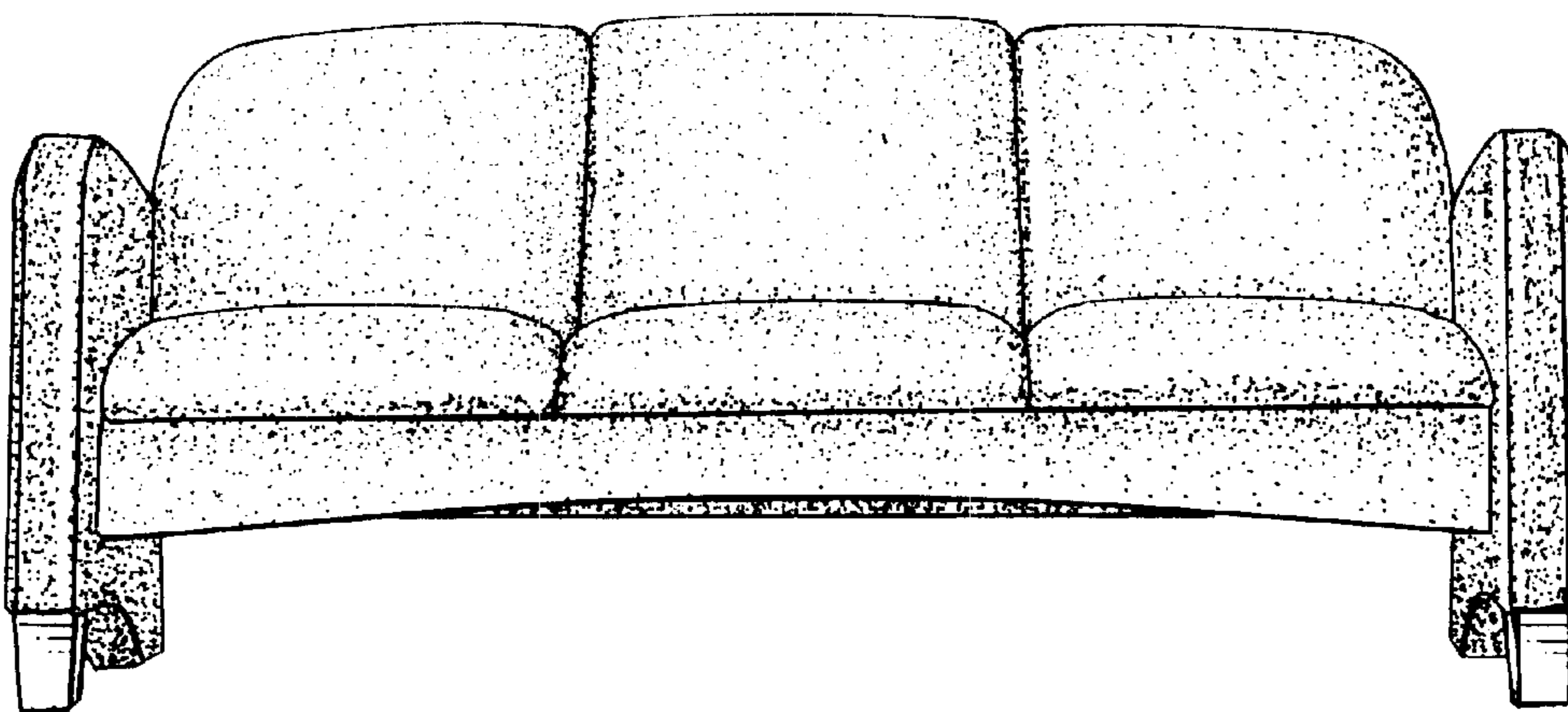


FIG. 13

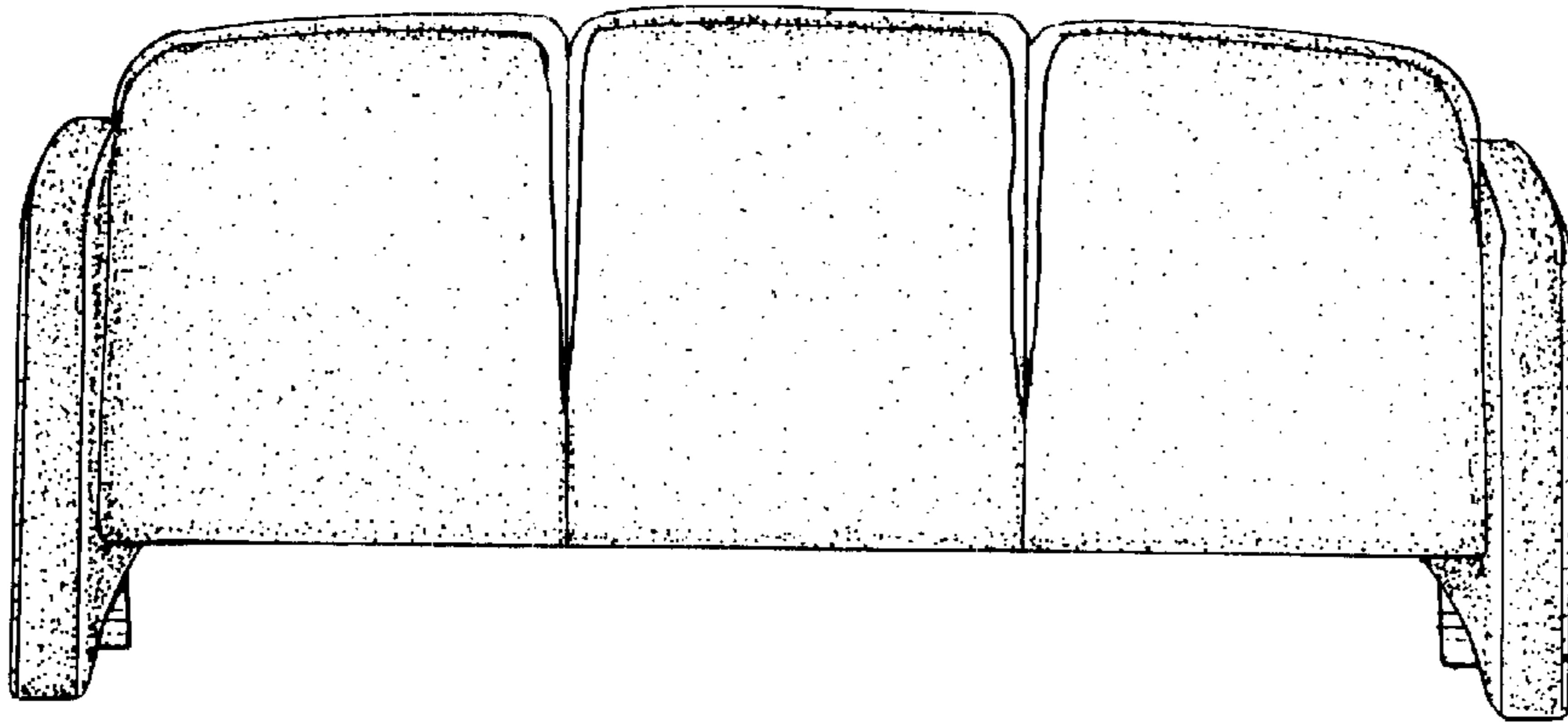


FIG. 14

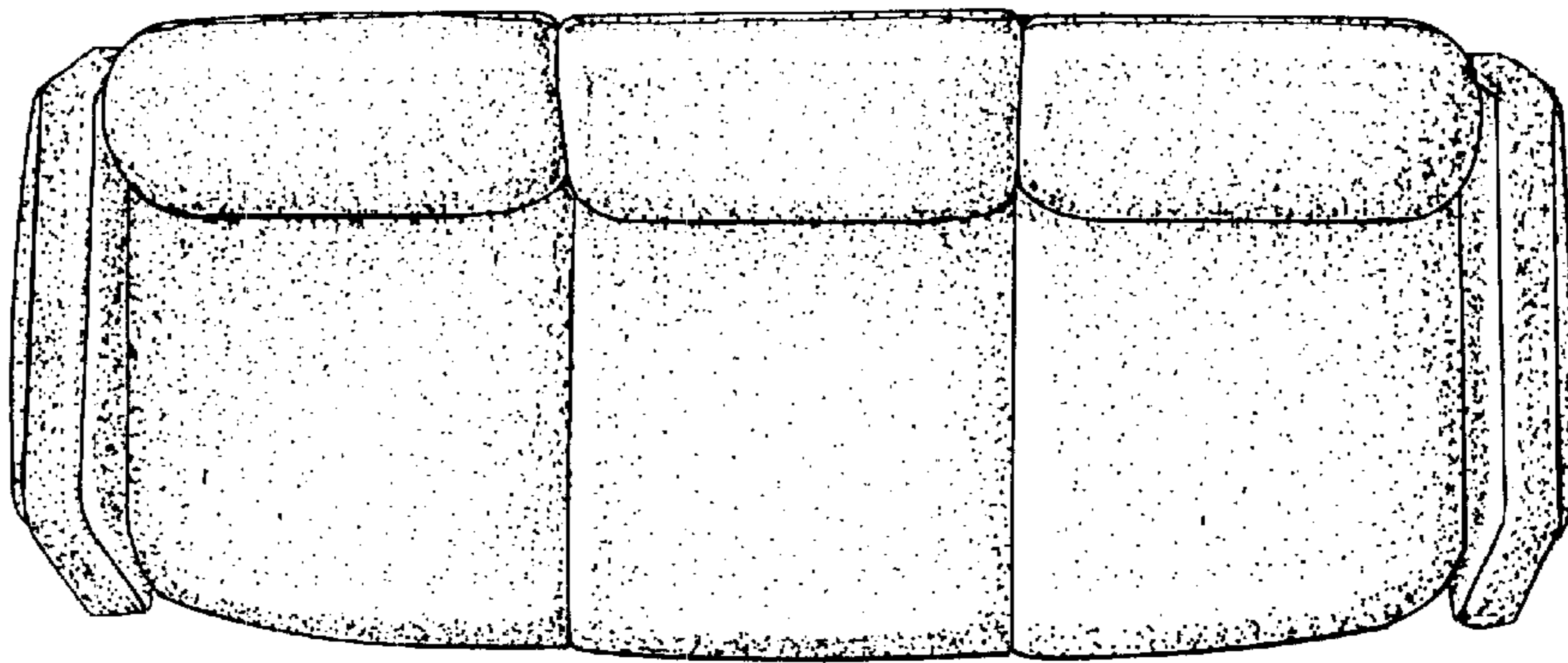


FIG. 15

