



US00D462521S

(12) **United States Design Patent**
Margo et al.

(10) **Patent No.:** **US D462,521 S**

(45) **Date of Patent:** **** Sep. 10, 2002**

(54) **BELT MOUNTABLE, SINGLE PIECE, ADJUSTABLE, MULTI-PURPOSE HOLDER**

4,802,602 A * 2/1989 Evans et al. 220/85
4,838,466 A * 6/1989 Holstrom 224/250
D373,678 S * 9/1996 Haigis D3/229
D378,022 S * 2/1997 Chen D3/229

(76) Inventors: **Philip Frederick Margo**, 140 S. Almont Dr., Beverly Hills, CA (US) 90211-2505; **Joshua M. Ginsberg-Margo**, 3651 S. Quebec St., Denver, CO (US) 80237

* cited by examiner

Primary Examiner—Louis S. Zarfes
Assistant Examiner—Deanne Levy

(**) Term: **14 Years**

(57) **CLAIM**

(21) Appl. No.: **29/132,489**

The ornamental design for a belt mountable, single piece, adjustable, multi-purpose holder, as shown and described.

(22) Filed: **Nov. 9, 2000**

DESCRIPTION

(51) **LOC (7) Cl.** **03-01**

(52) **U.S. Cl.** **D3/303**

(58) **Field of Search** D3/215, 224, 226, D3/229, 230; D7/605, 619; 224/148.6, 195, 269, 250, 901, 253

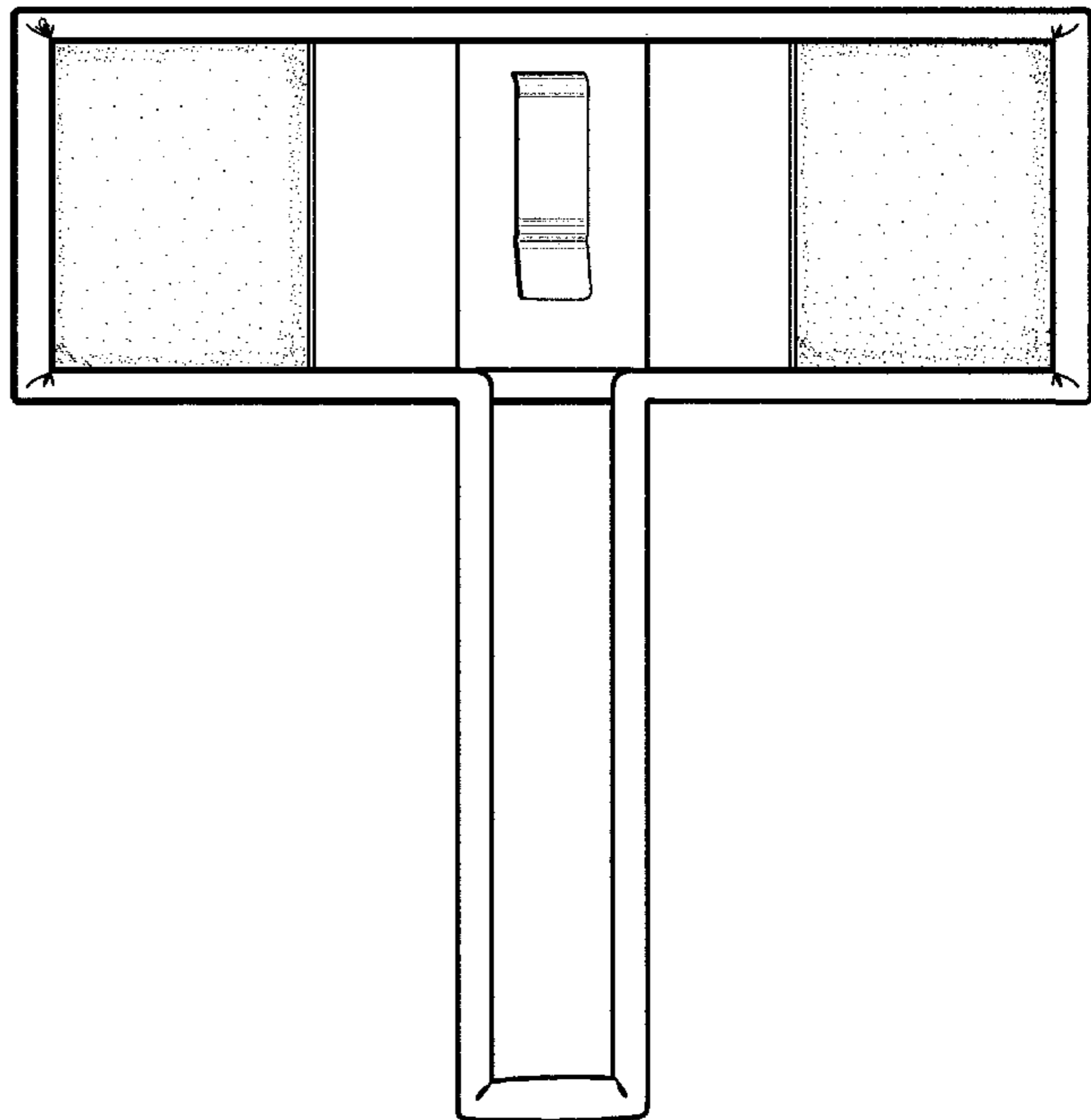
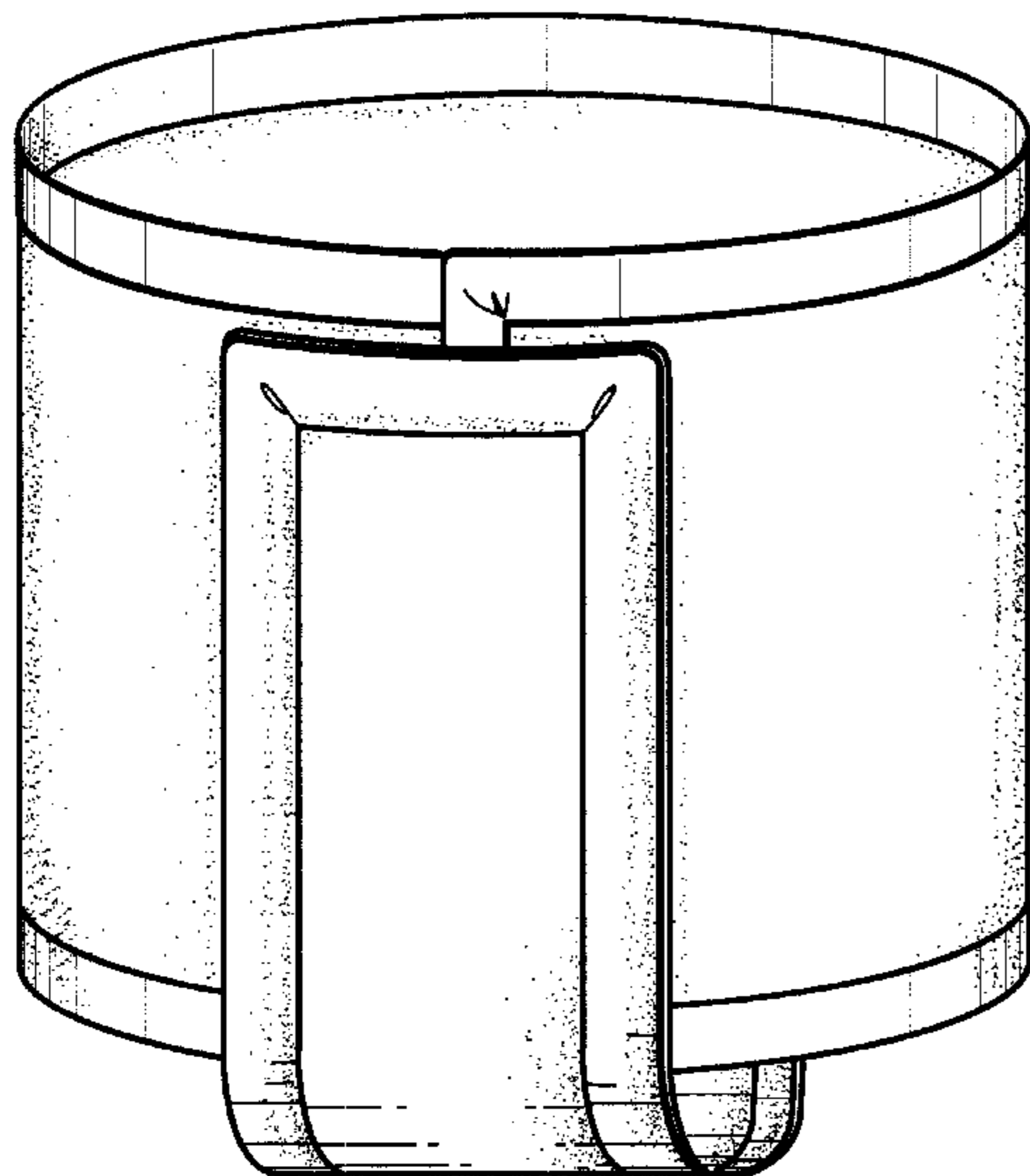
FIG. 1 is a front elevational view showing our new design
FIG. 2 is an inside front view thereof.
FIG. 3 is a rear outside view thereof.
FIG. 4 is a front lower view thereof.
FIG. 5 is a top plan view thereof; and,
FIG. 6 is a bottom plan view thereof.

(56) **References Cited**

U.S. PATENT DOCUMENTS

D275,815 S * 10/1984 Dilenno D2/400

1 Claim, 6 Drawing Sheets



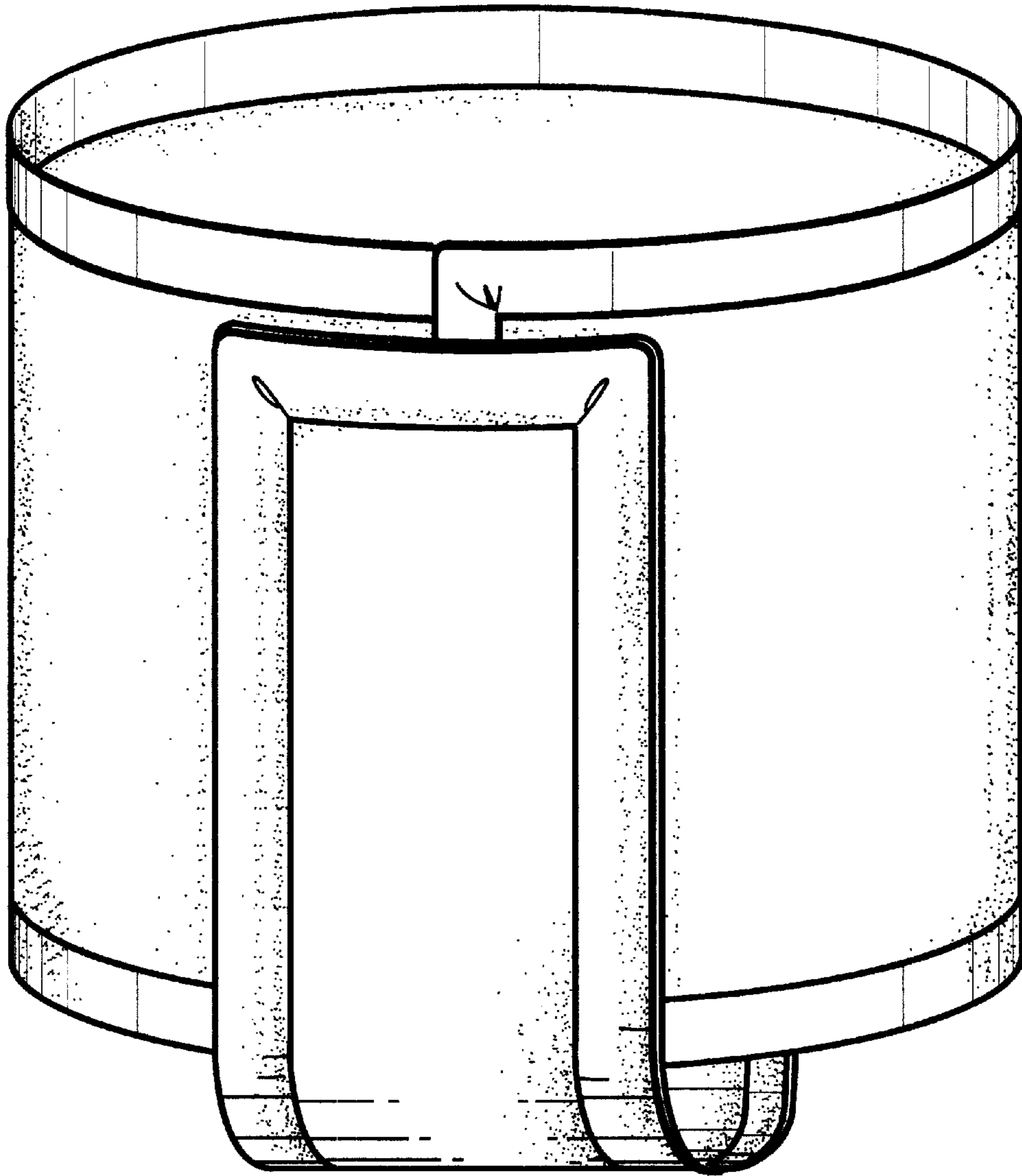


FIGURE 1

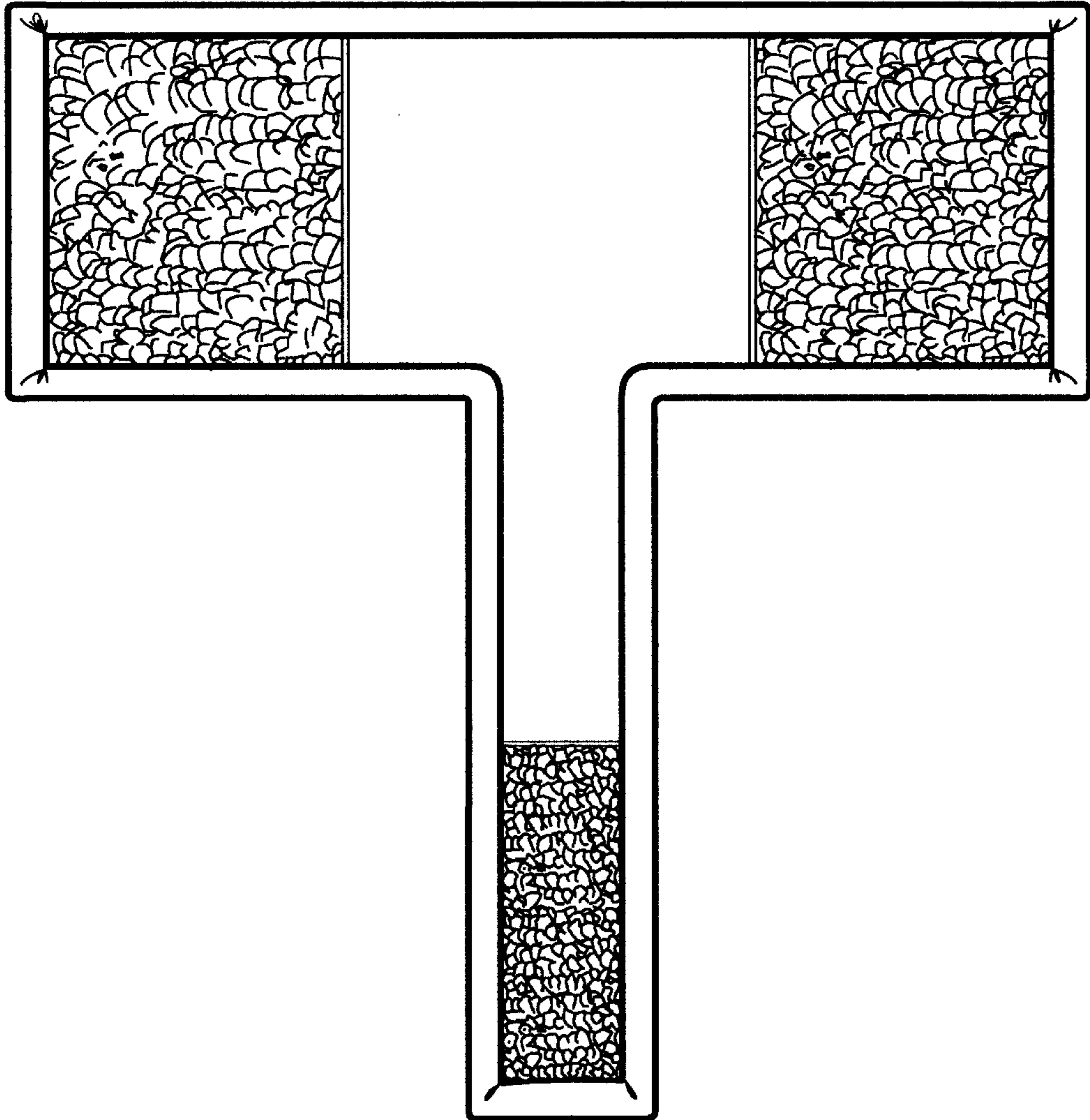


FIGURE 2

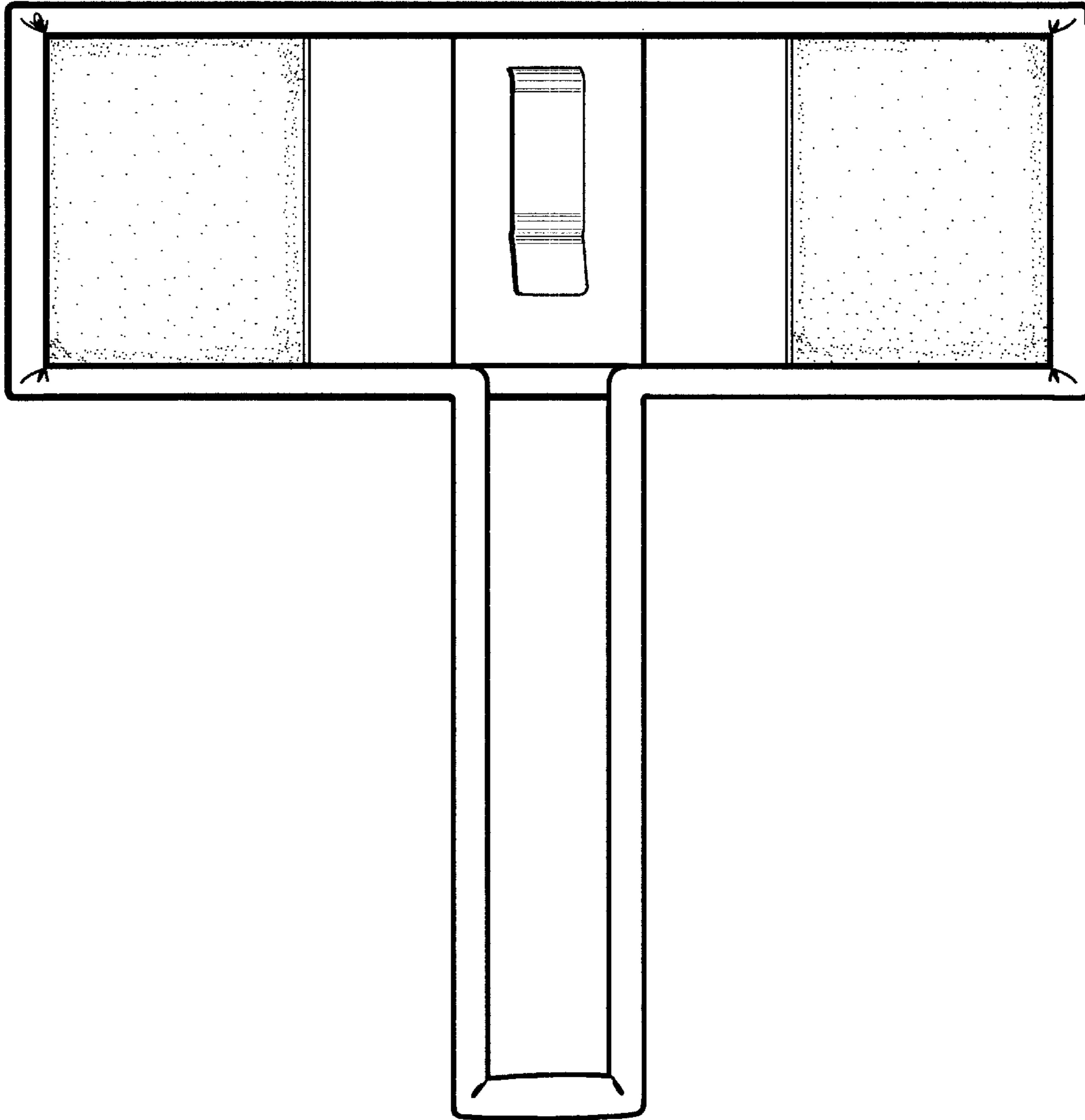


FIGURE 3

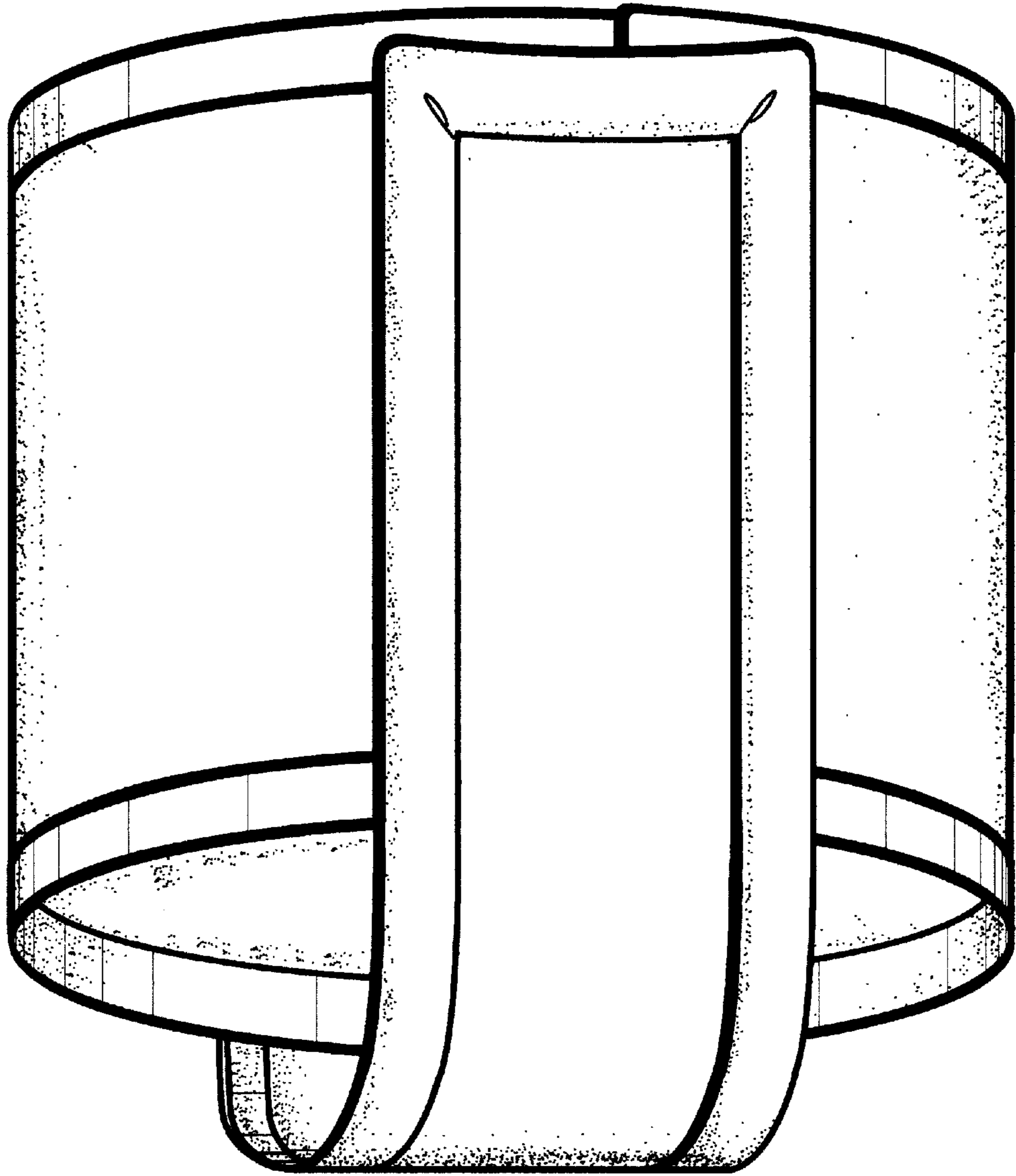


FIGURE 4

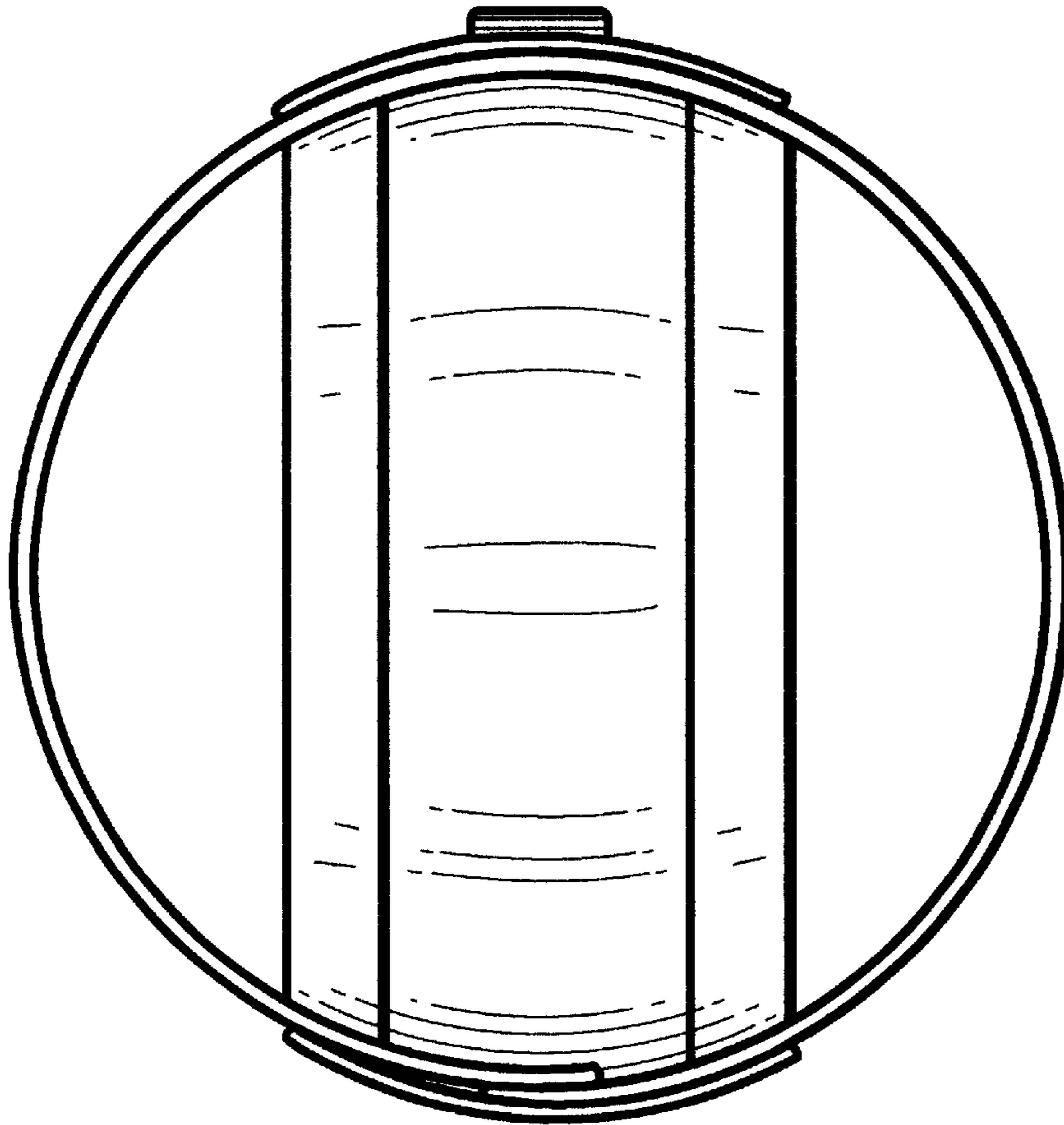


FIGURE 5

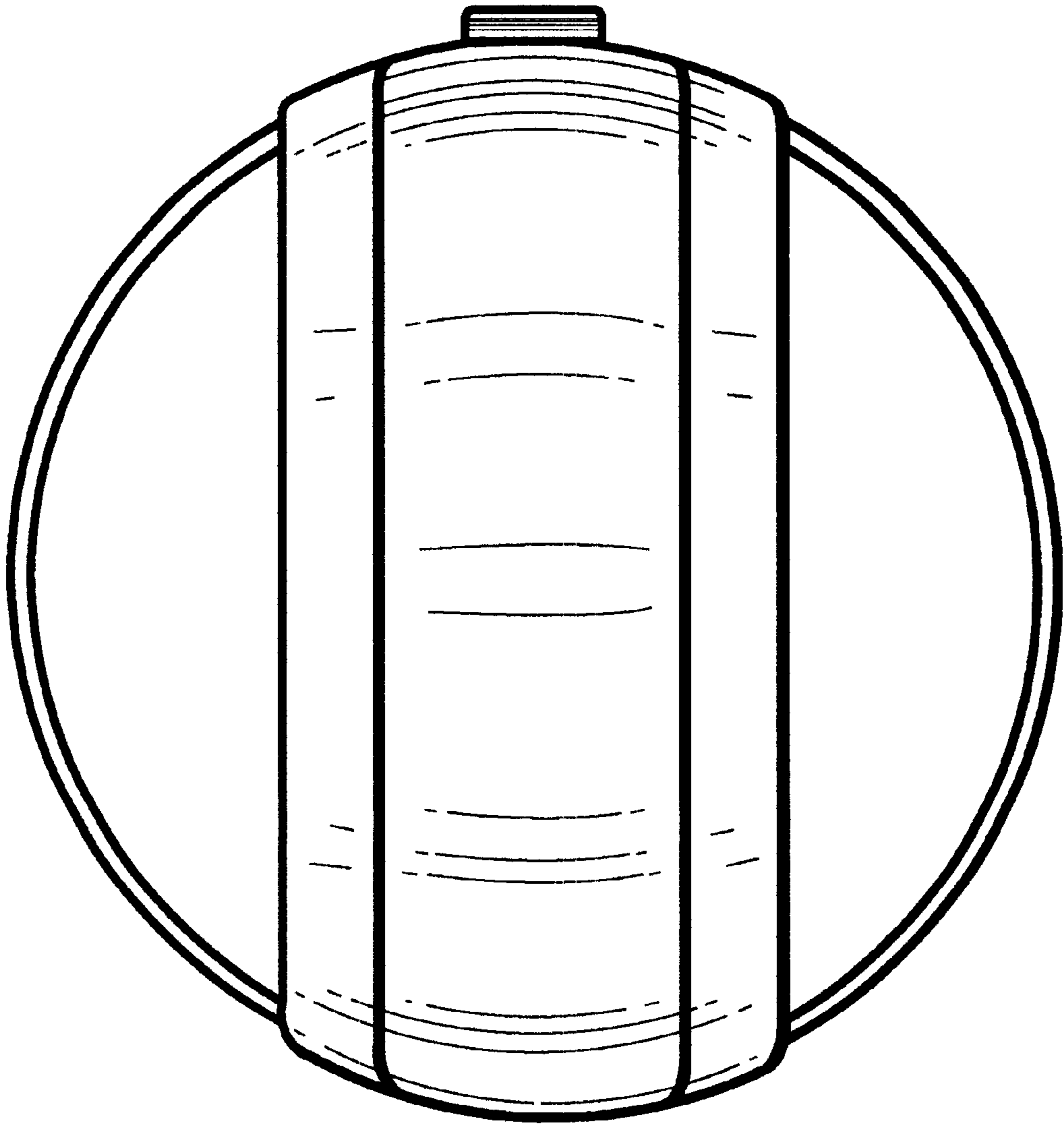


FIGURE 6