



US00D462520S

(12) **United States Design Patent**
Snider

(10) **Patent No.:** **US D462,520 S**

(45) **Date of Patent:** **** Sep. 10, 2002**

(54) **STORAGE CASE**

DESCRIPTION

- (75) Inventor: **Gregory Scott Snider**, Bel Air, MD (US)
- (73) Assignee: **Black & Decker Inc.**, Newark, DE (US)
- (**) Term: **14 Years**
- (21) Appl. No.: **29/145,854**
- (22) Filed: **Jul. 31, 2001**
- (51) **LOC (7) Cl.** **03-01**
- (52) **U.S. Cl.** **D3/282; D3/276**
- (58) **Field of Search** **D3/272, 273, 276, D3/281, 282, 284, 294, 291, 295, 905, 206/349, 372, 373, 378, 379**

FIG. 1 is a perspective view of a storage case;
 FIG. 2 is a front view thereof;
 FIG. 3 is a rear view thereof;
 FIG. 4 is a top view thereof;
 FIG. 5 is a bottom view thereof;
 FIG. 6 is a left side view thereof;
 FIG. 7 is a right side view thereof;
 FIG. 8 is a front view of the storage case in an open position showing expanding flaps in a closed position;
 FIG. 9 is a front view of the storage case in an open position showing expandable flaps in an open position;
 FIG. 10 is a perspective view of a second embodiment of a storage case;
 FIG. 11 is a front view thereof;
 FIG. 12 is a rear view thereof;
 FIG. 13 is a top view thereof;
 FIG. 14 is a bottom view thereof;
 FIG. 15 is a right side view thereof;
 FIG. 16 is a left side view thereof; and,
 FIG. 17 is a front view of the storage case in an open position showing expandable flaps in a closed position (a view of the flaps shown in the open position is provided in FIG. 9).

The broken line showing of the bit receiving recesses in FIG. 9 is for illustrative purposes only and forms no part of the claimed design.

(56) **References Cited**

U.S. PATENT DOCUMENTS

D379,715 S	*	6/1997	Yemini	D3/282
D412,397 S	*	8/1999	Liu	D3/276
D413,440 S	*	9/1999	Schurman	D3/276

* cited by examiner

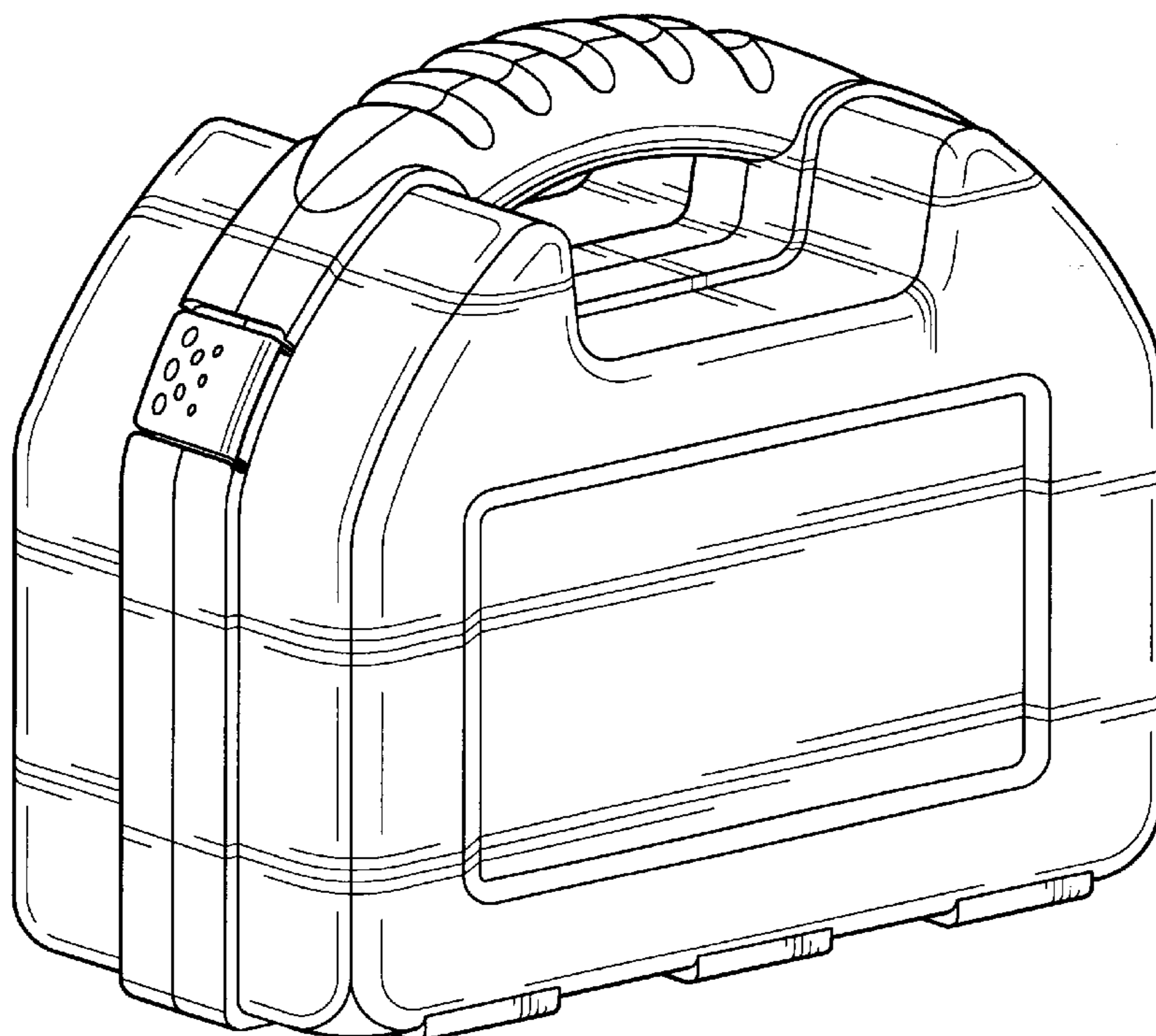
Primary Examiner—Philip S. Hyder

(74) *Attorney, Agent, or Firm*—Harness, Dickey & Pierce, P.L.C.

(57) **CLAIM**

The ornamental design for a storage case, as shown and described.

1 Claim, 9 Drawing Sheets



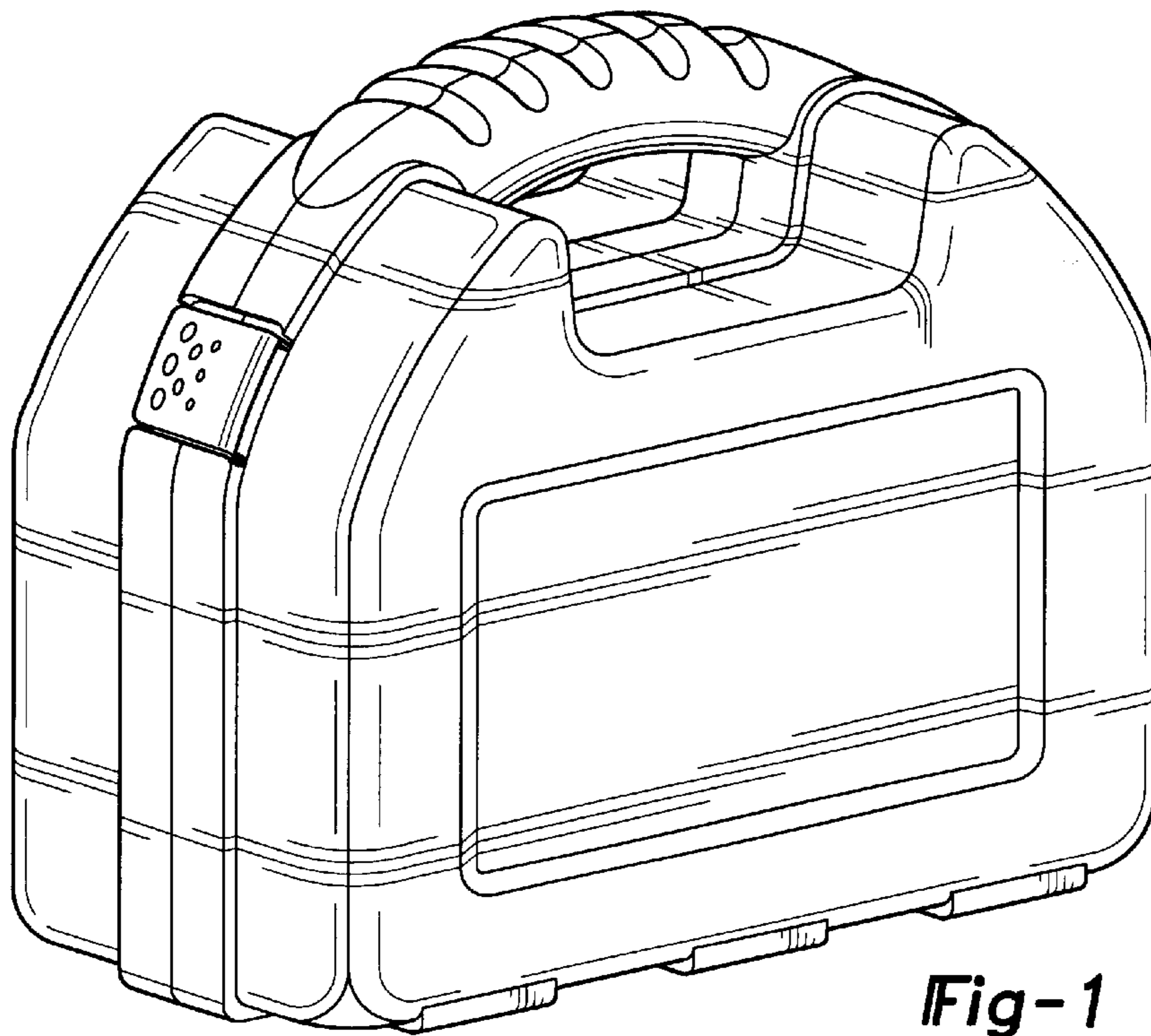


Fig-1

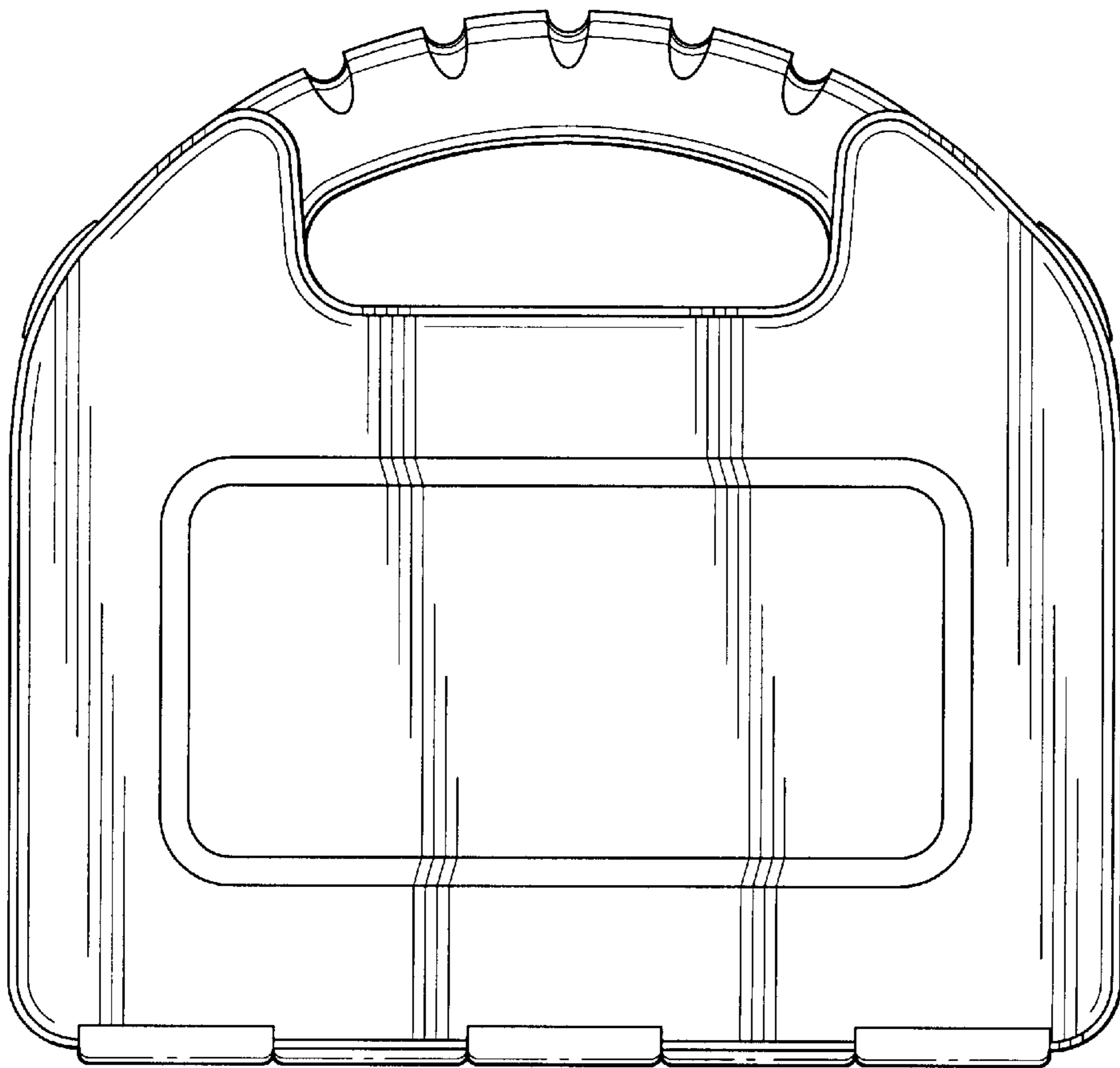


Fig-2

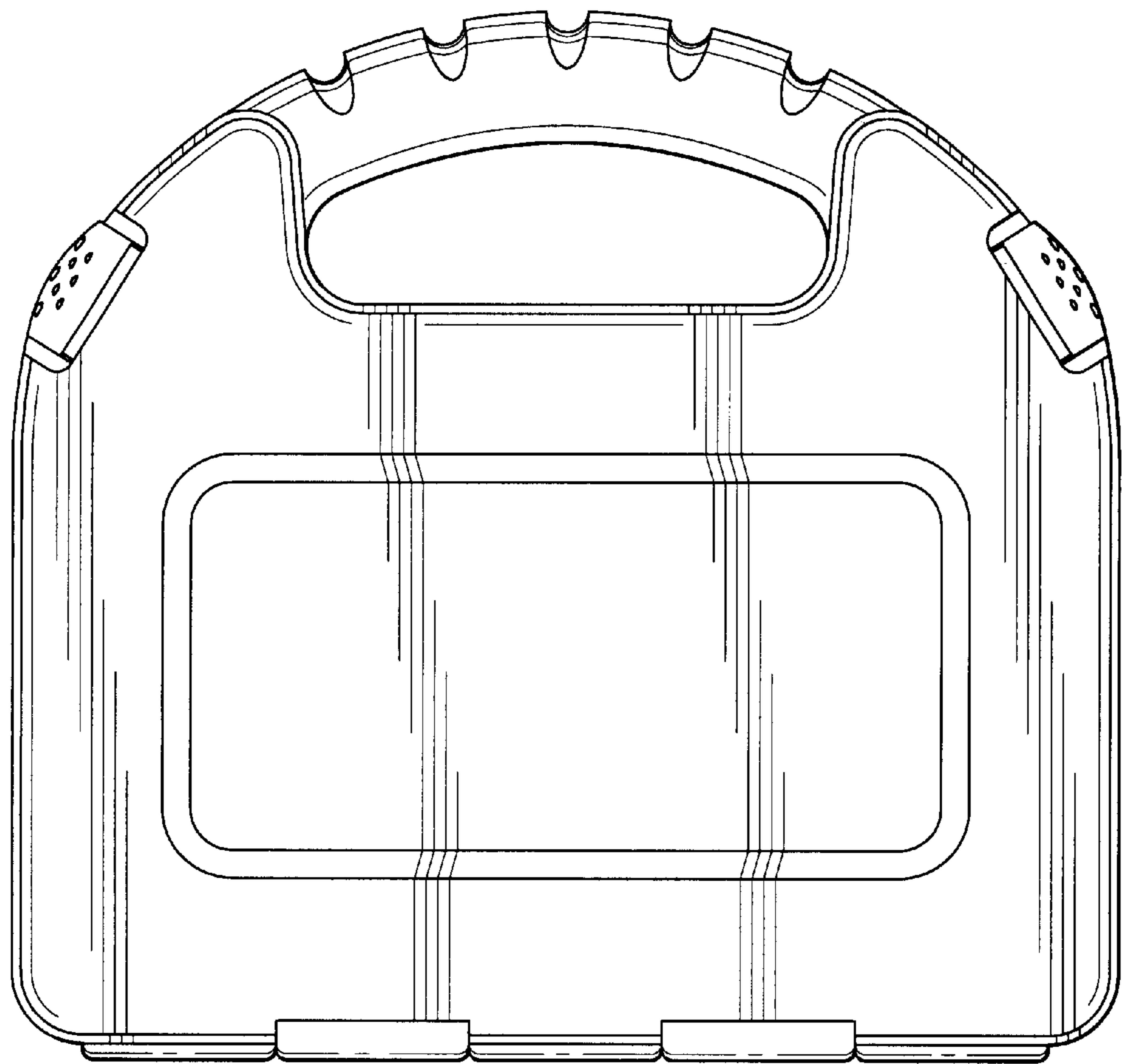


Fig-3

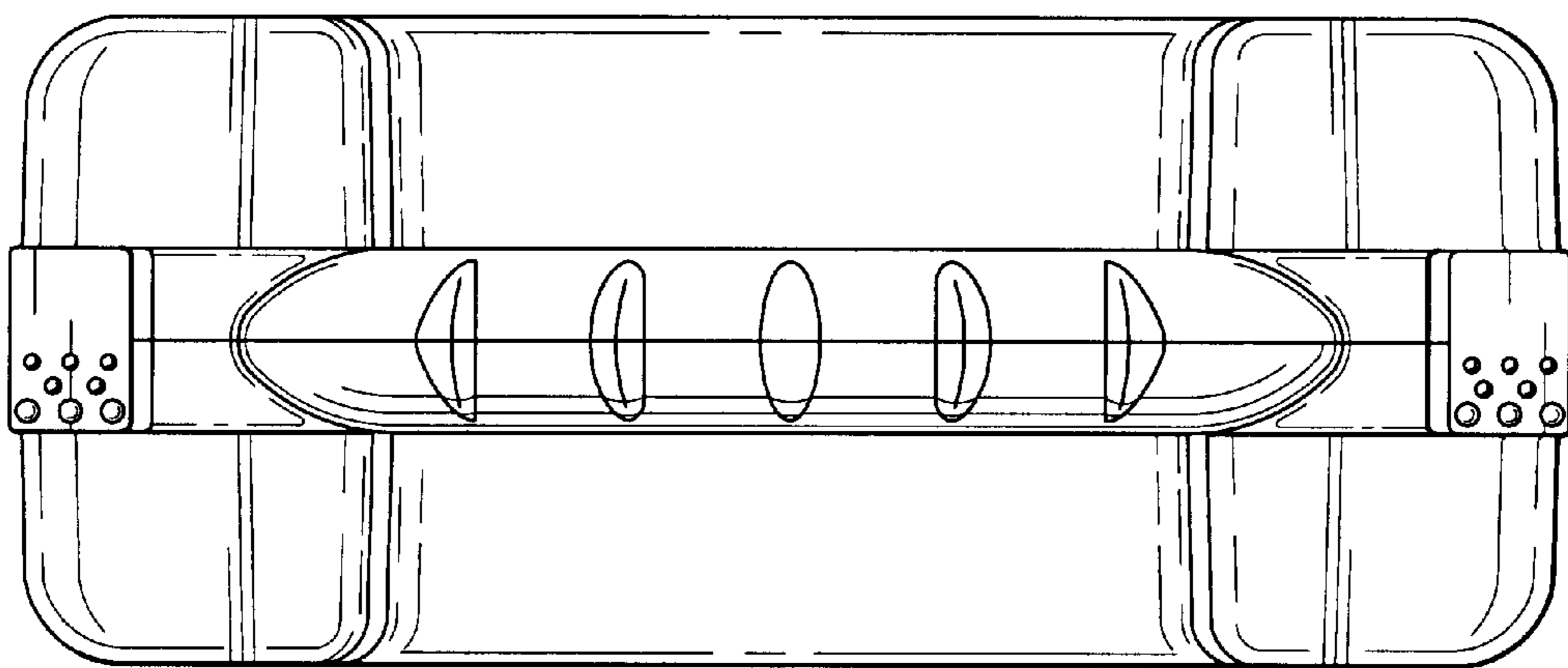


Fig-4

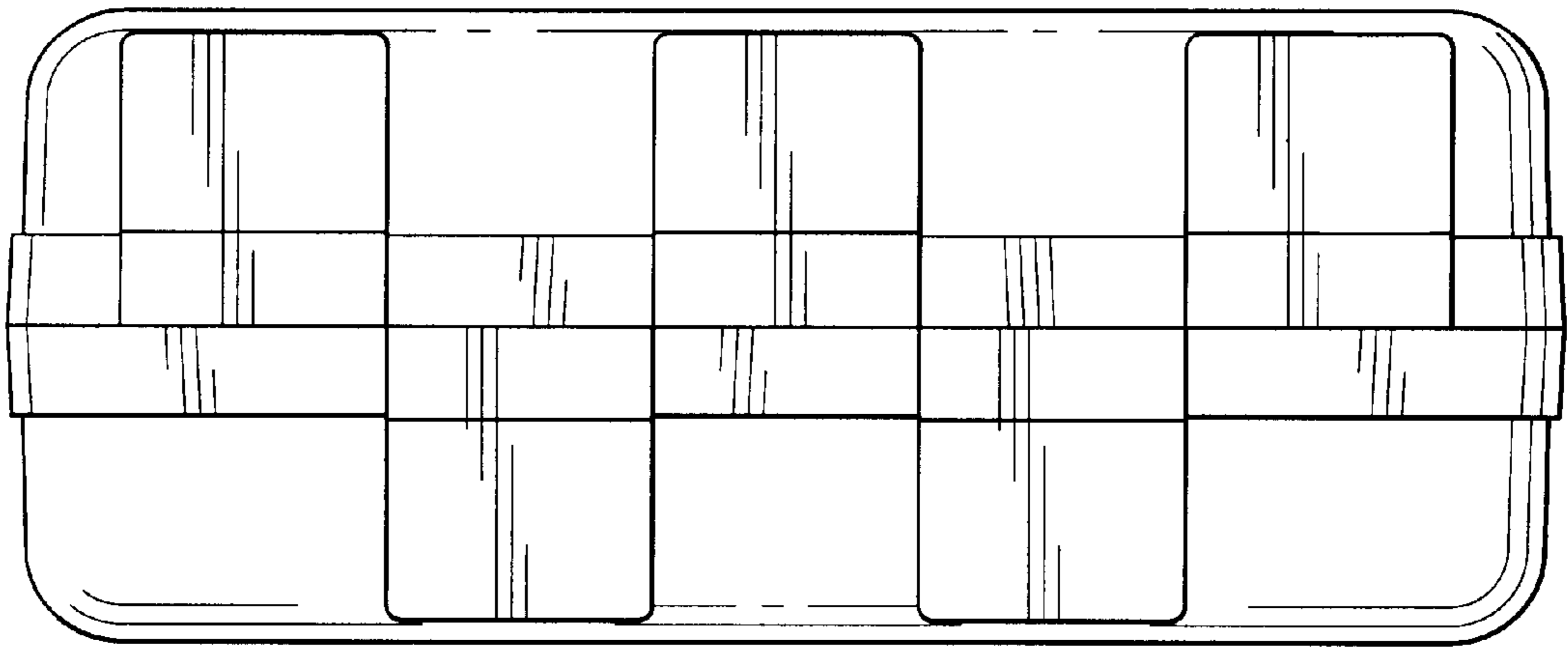


Fig-5

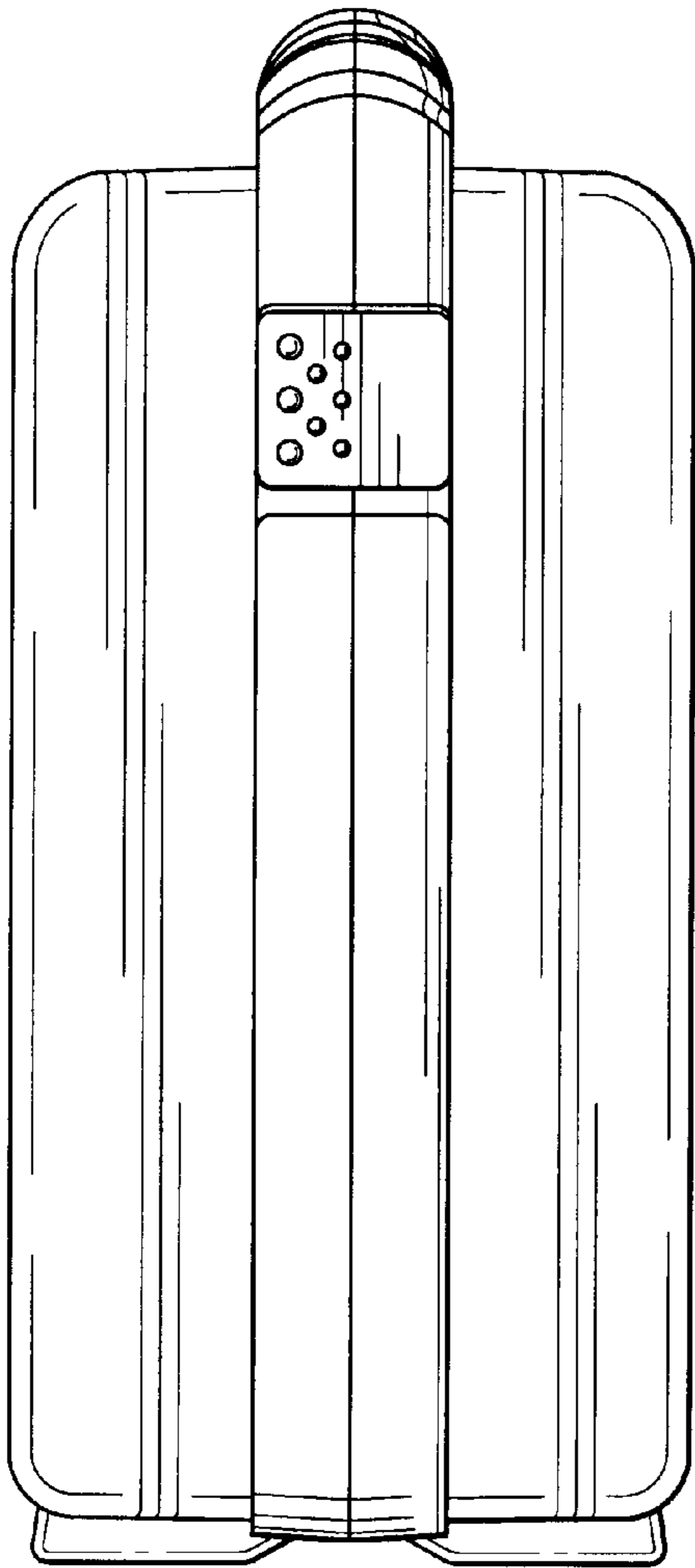


Fig-6

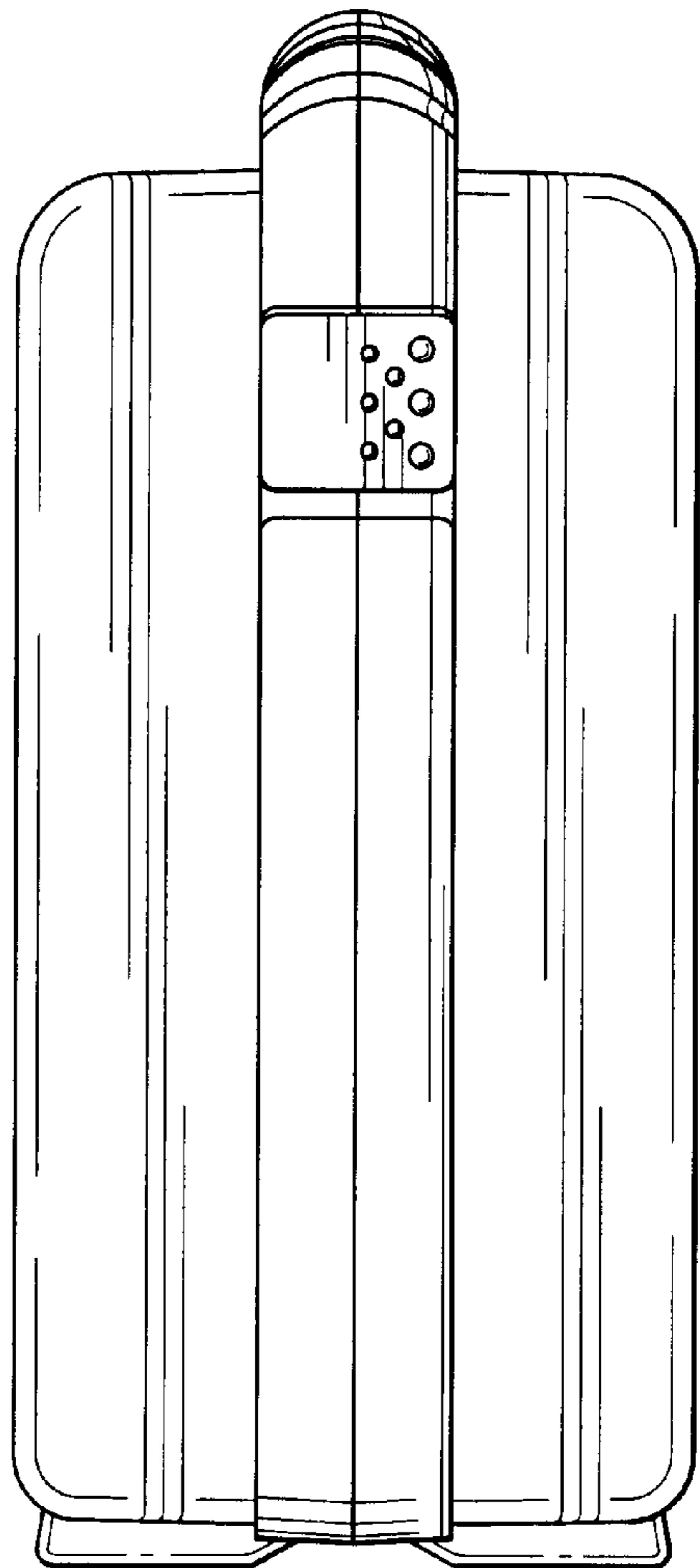


Fig-7

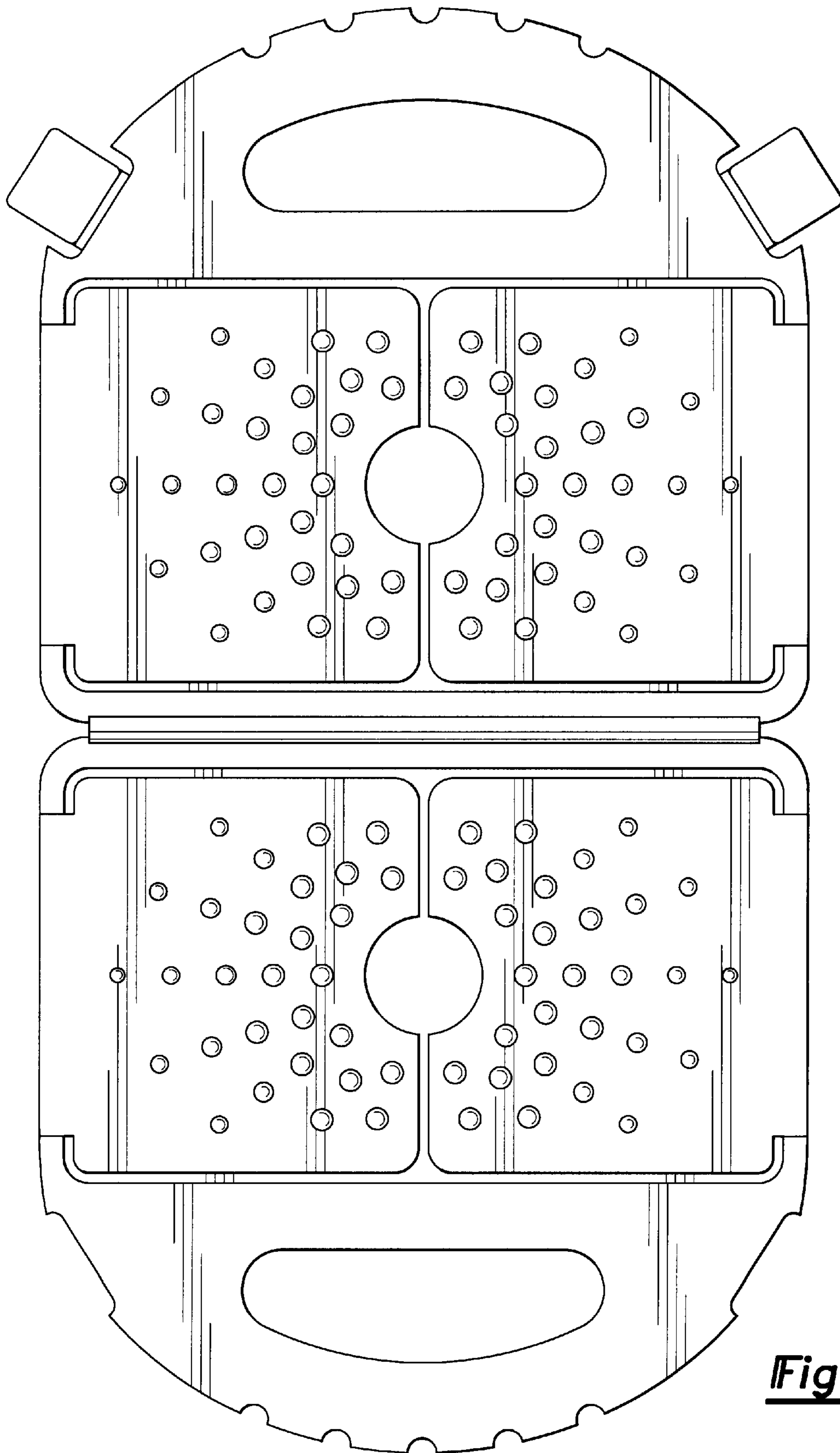


Fig-8

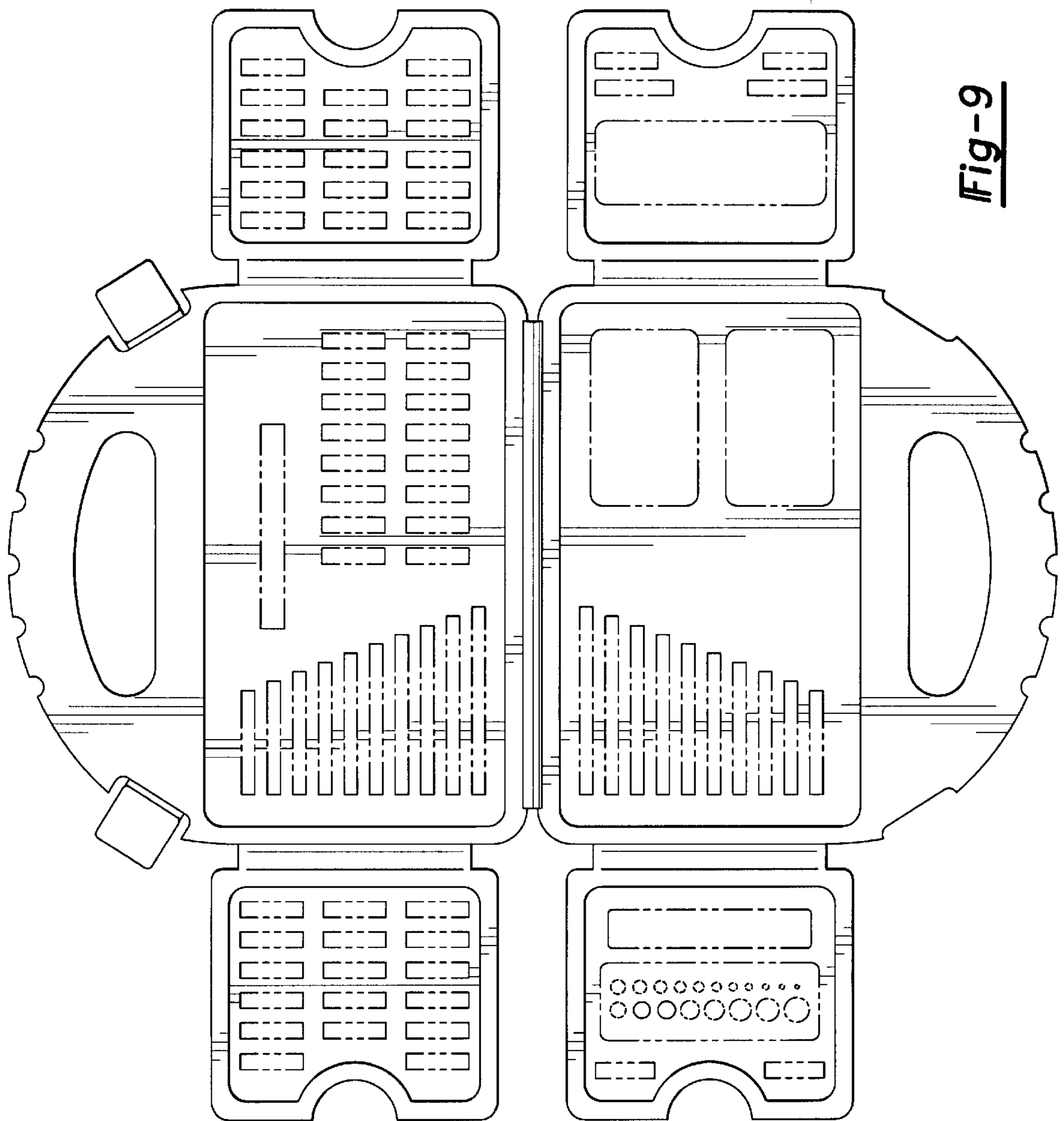


Fig-9

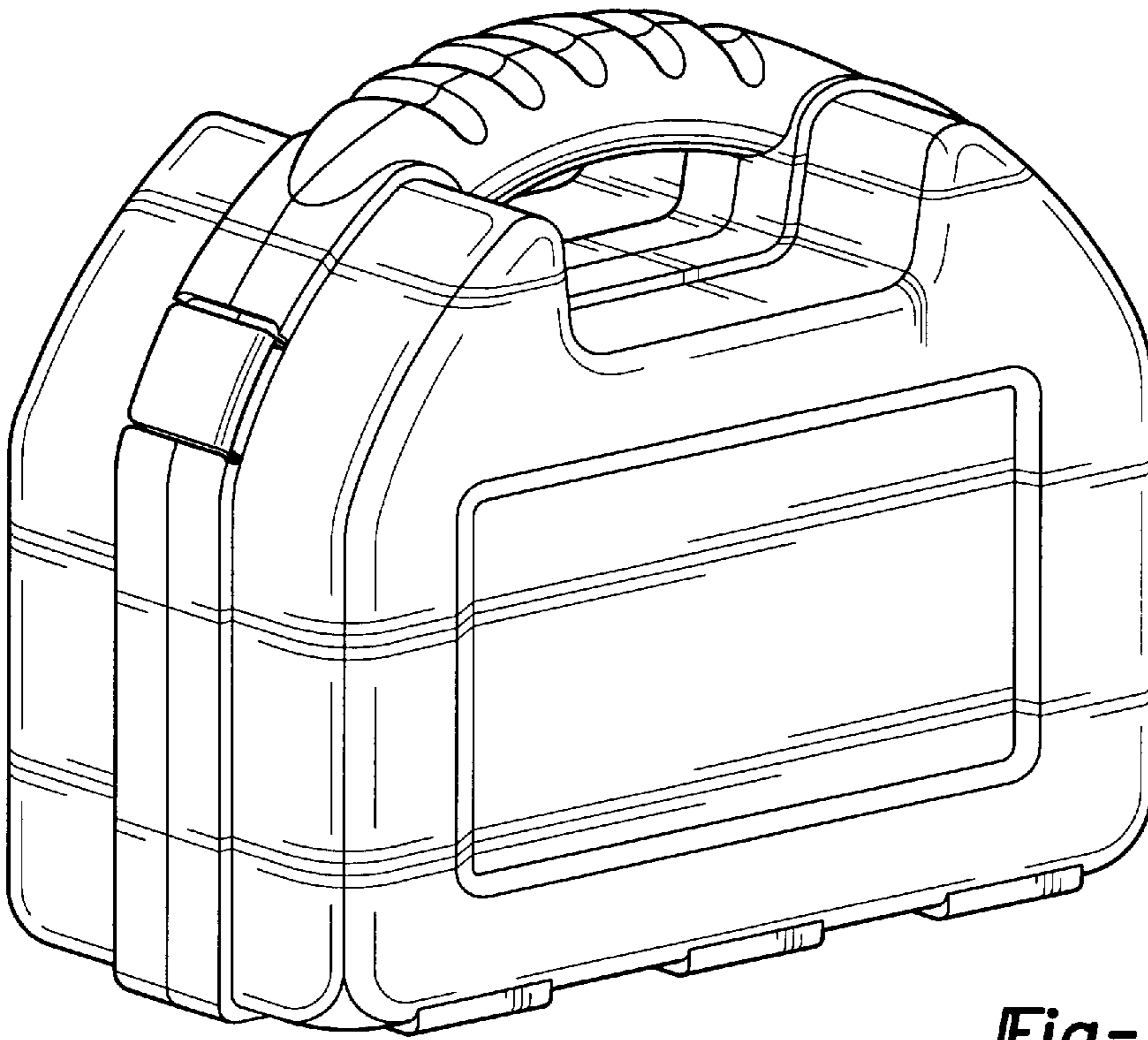


Fig-10

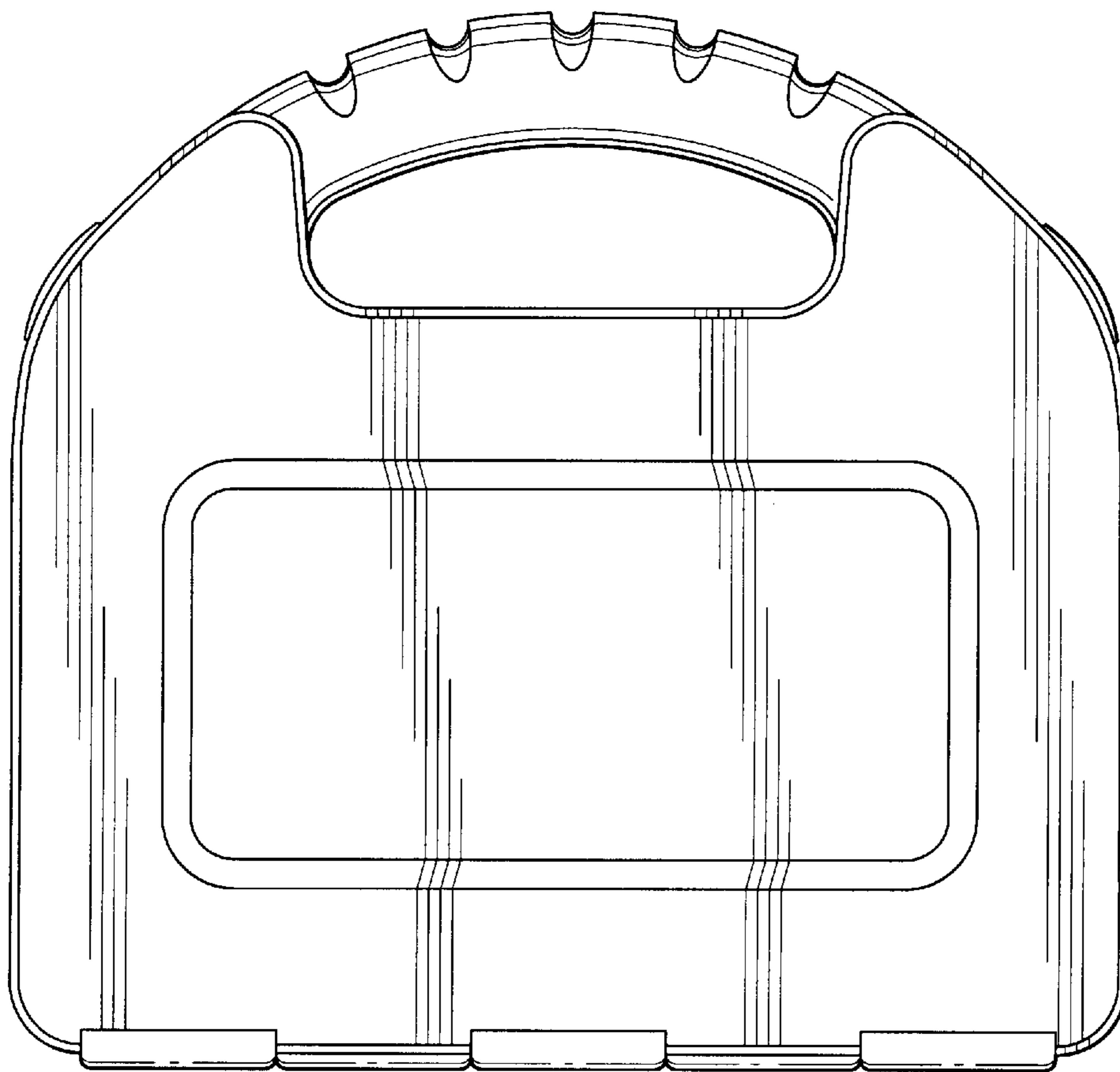


Fig-11

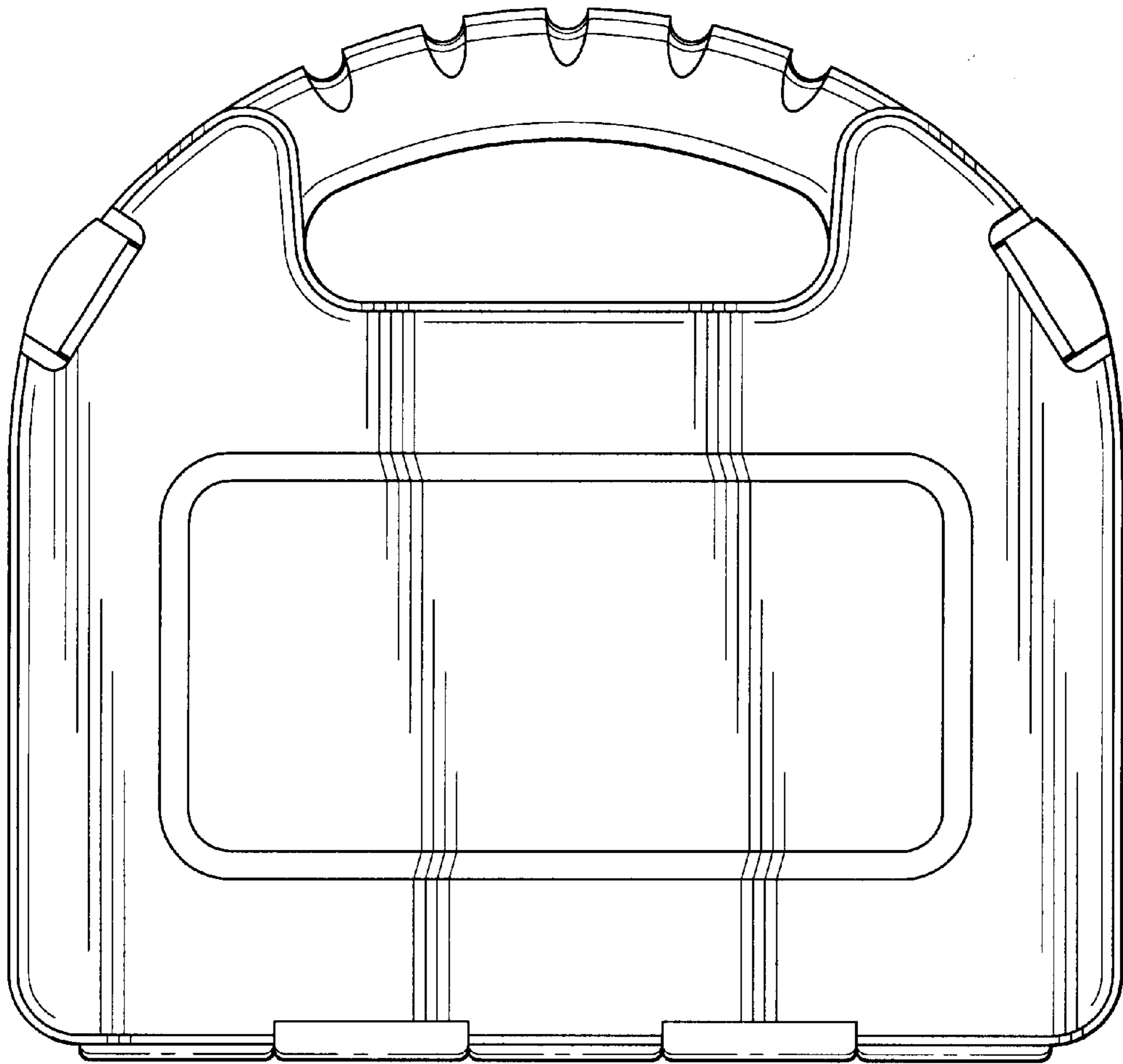


Fig-12

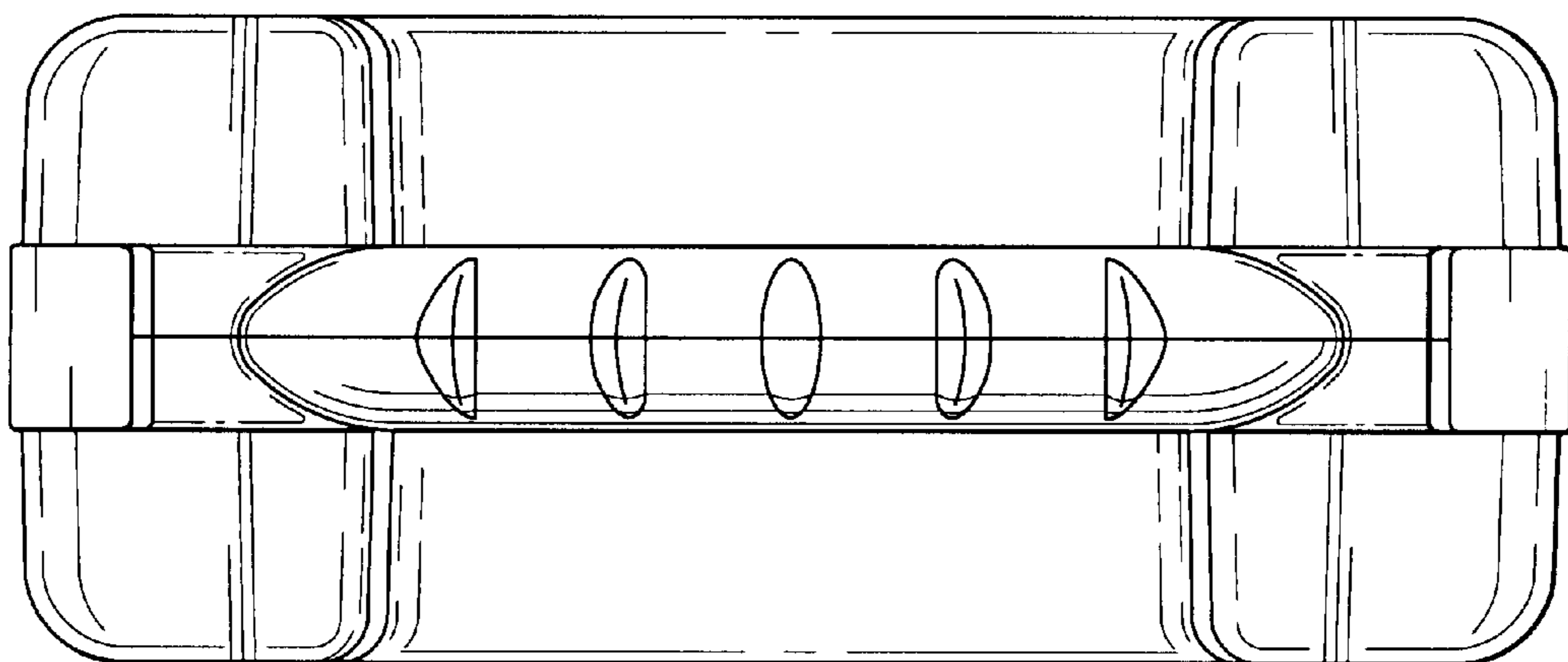


Fig-13

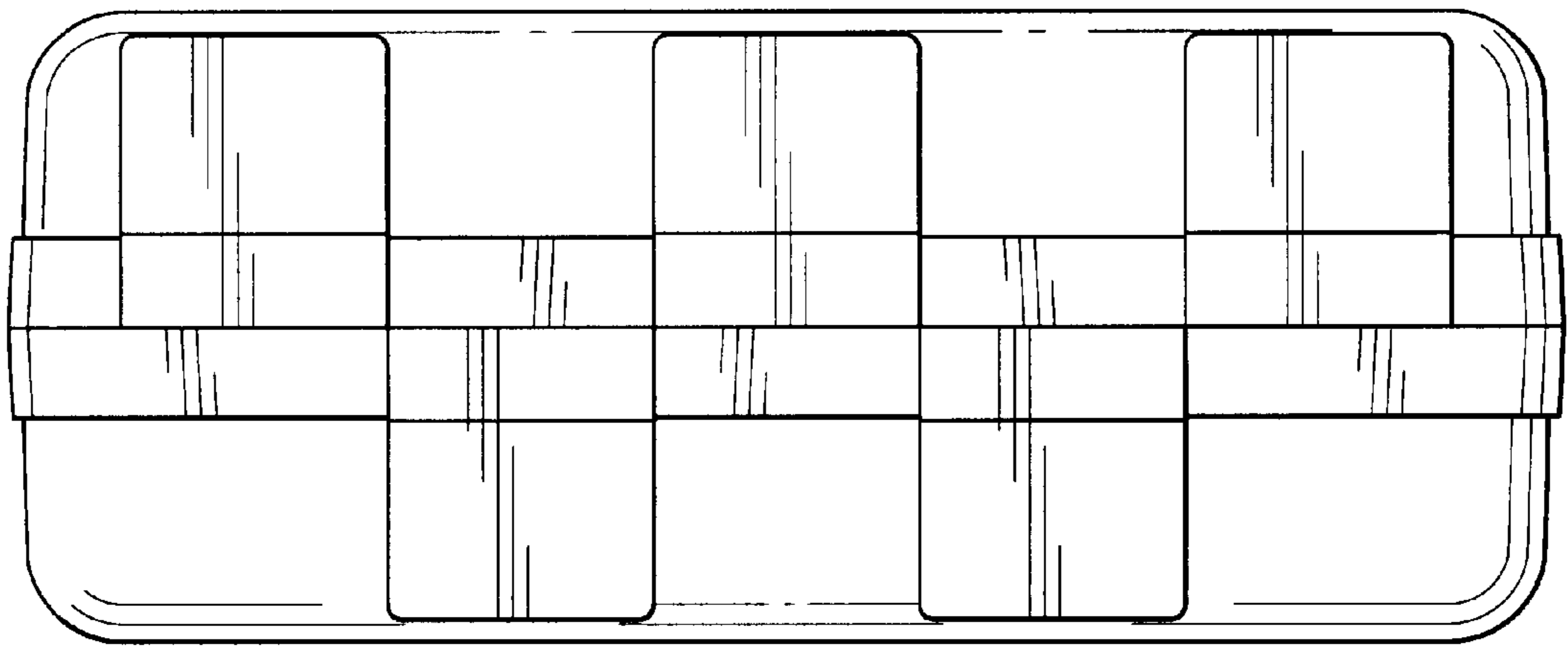


Fig-14

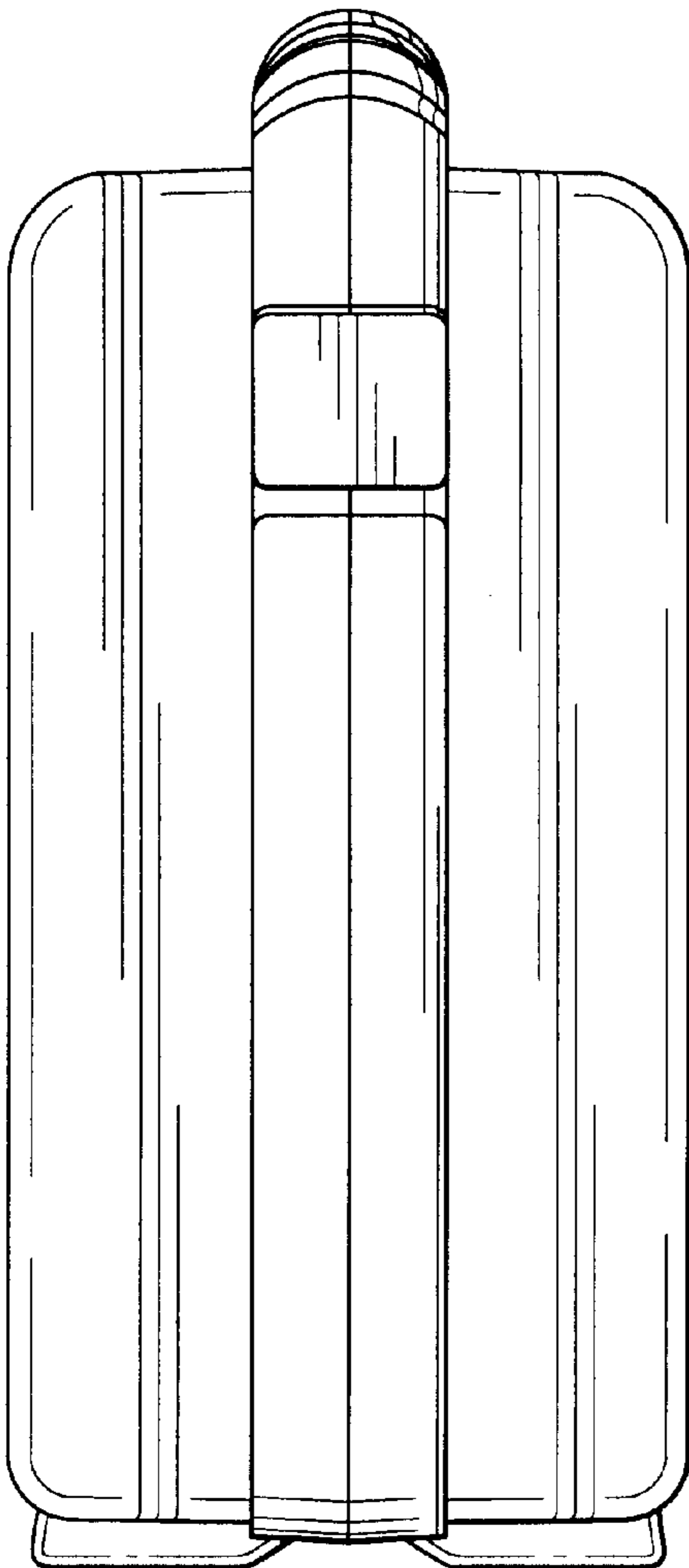


Fig-15

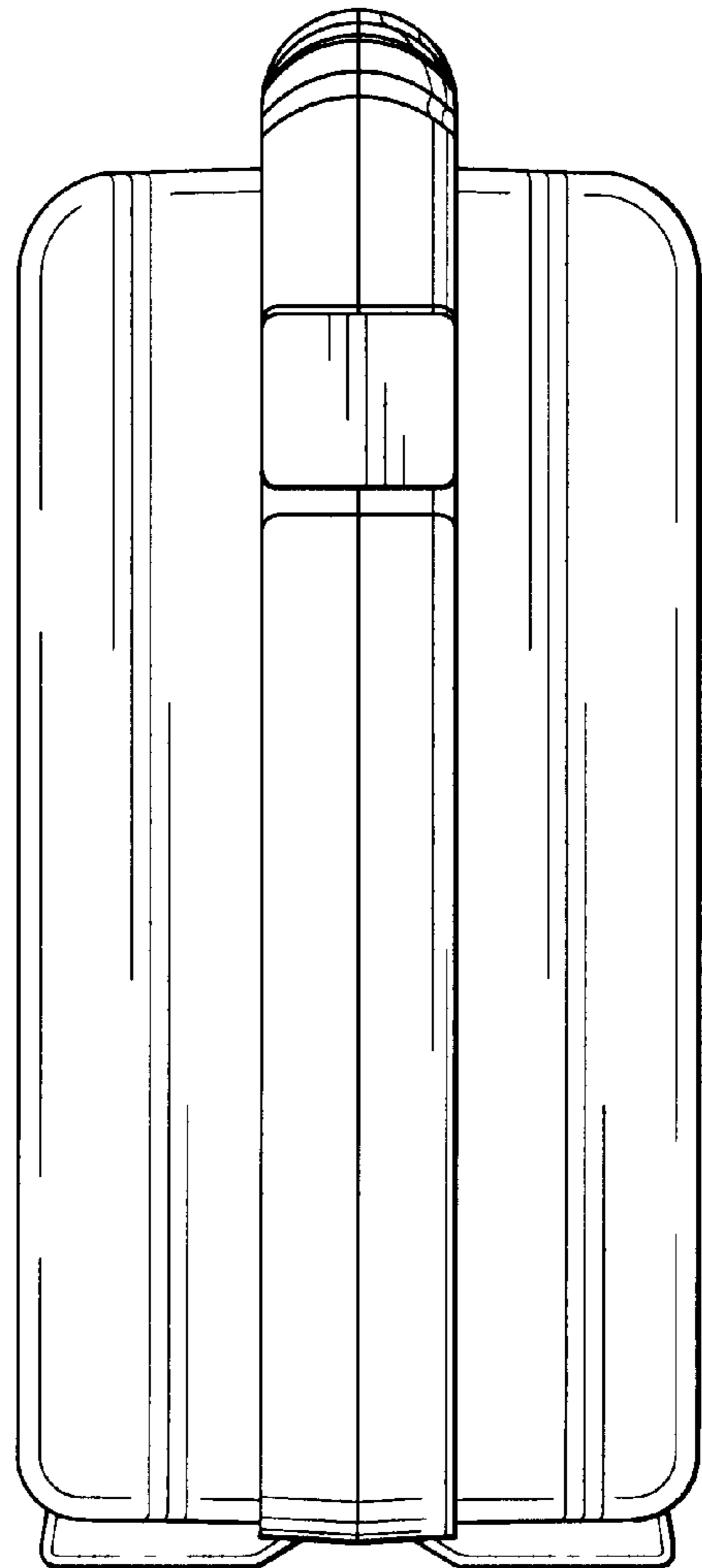


Fig-16

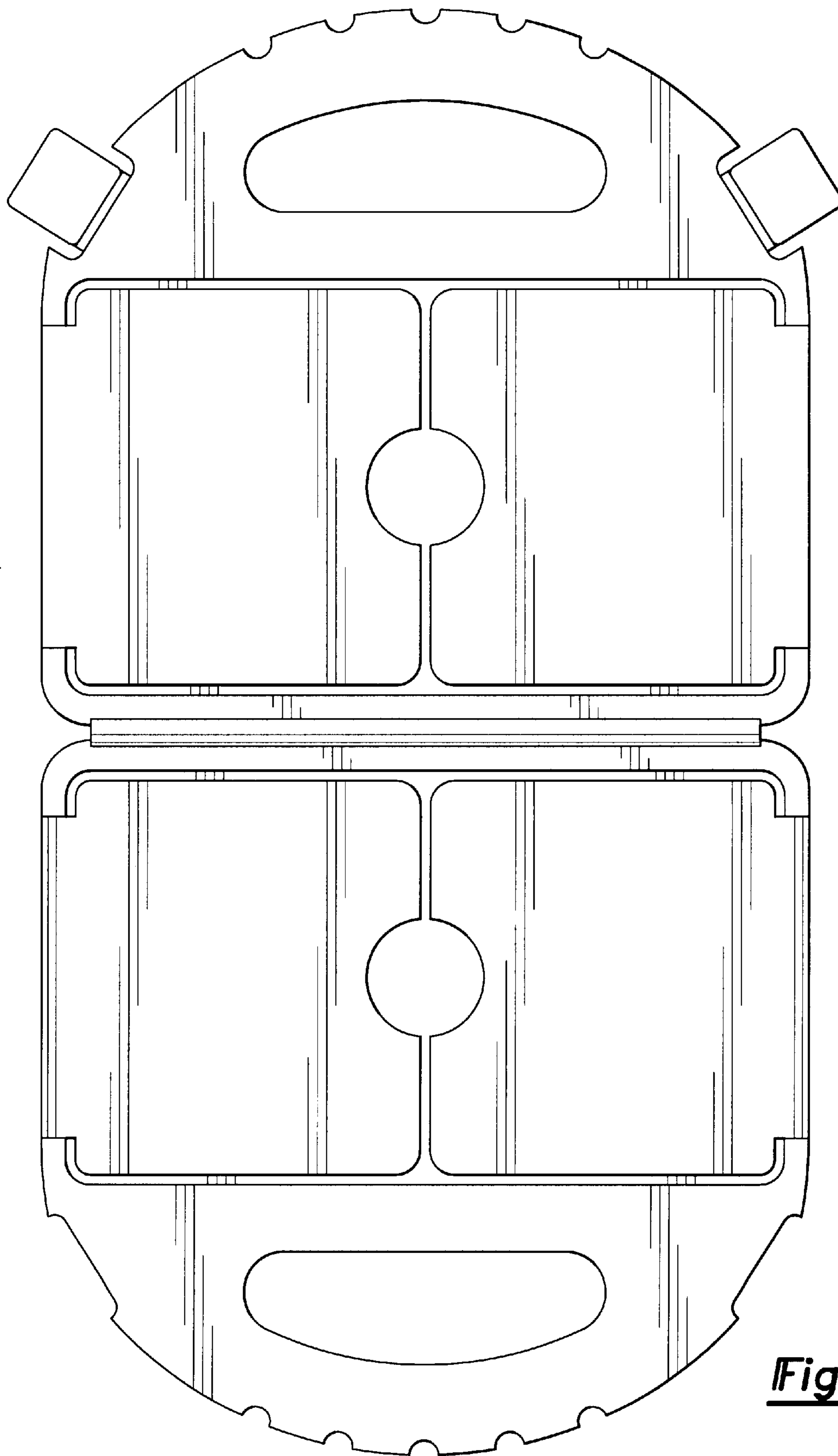


Fig-17