



US00D462519S

(12) **United States Design Patent**
Gaydos et al.

(10) **Patent No.:** **US D462,519 S**

(45) **Date of Patent:** **** Sep. 10, 2002**

(54) **CASE**

(75) Inventors: **Mark Gaydos**, Greenfield, MA (US);
Stanley Lewandowski, Shelburne Falls,
MA (US)

(73) Assignee: **Hardigg Industries, Inc.**, Springfield,
MA (US)

(**) Term: **14 Years**

(21) Appl. No.: **29/146,810**

(22) Filed: **Aug. 16, 2001**

(51) **LOC (7) Cl.** **03-01**

(52) **U.S. Cl.** **D3/276; D3/281**

(58) **Field of Search** D3/273, 276, 281,
D3/282, 279, 294, 291; 190/100, 110, 111,
109, 112, 113; 206/349, 372

(56) **References Cited**

U.S. PATENT DOCUMENTS

D311,819 S * 11/1990 Takeuchi D3/292
D353,048 S * 12/1994 VanSkiver et al. D3/273

D364,957 S * 12/1995 Turbowitz D3/276
D369,240 S * 4/1996 Newby, Sr. D3/268
D413,202 S * 8/1999 Schmitt et al. D3/276
D417,338 S * 12/1999 Main D3/276
D429,884 S * 8/2000 Zurwelle et al. D3/276
D439,407 S * 3/2001 Parker D3/276

* cited by examiner

Primary Examiner—Philip S. Hyder

(74) *Attorney, Agent, or Firm*—McCormick, Paulding &
Huber LLP

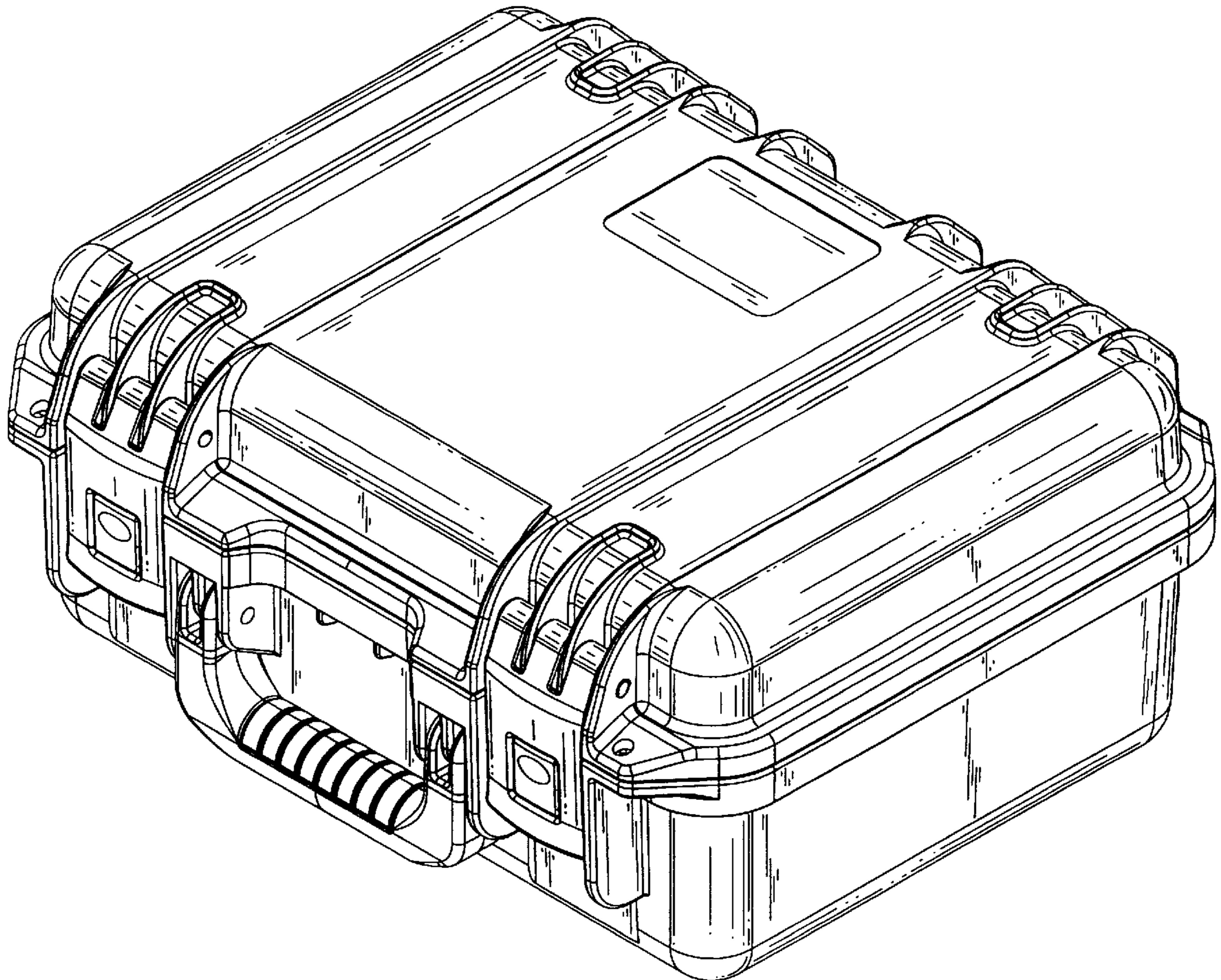
(57) **CLAIM**

The ornamental design for a case, as shown and described.

DESCRIPTION

FIG. 1 is a front right perspective view of a case showing the new design;
FIG. 2 is a top plan view of the case of FIG. 1;
FIG. 3 is a front elevation view of the case of FIG. 1;
FIG. 4 is a rear elevation view of the case of FIG. 1;
FIG. 5 is a left side elevation view of the case of FIG. 1; and,
FIG. 6 is a bottom plan view of the case of FIG. 1.

1 Claim, 4 Drawing Sheets



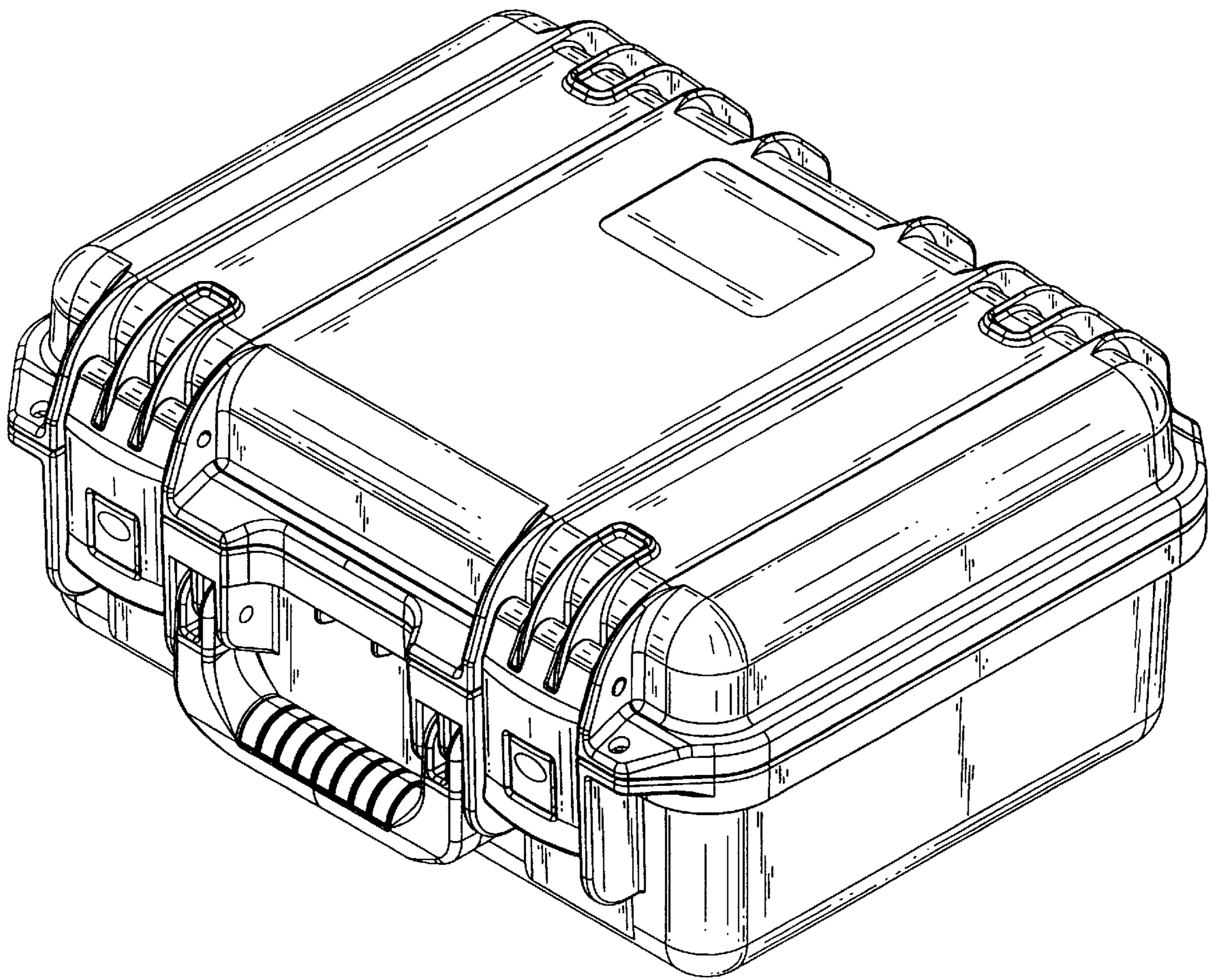


FIG. 1

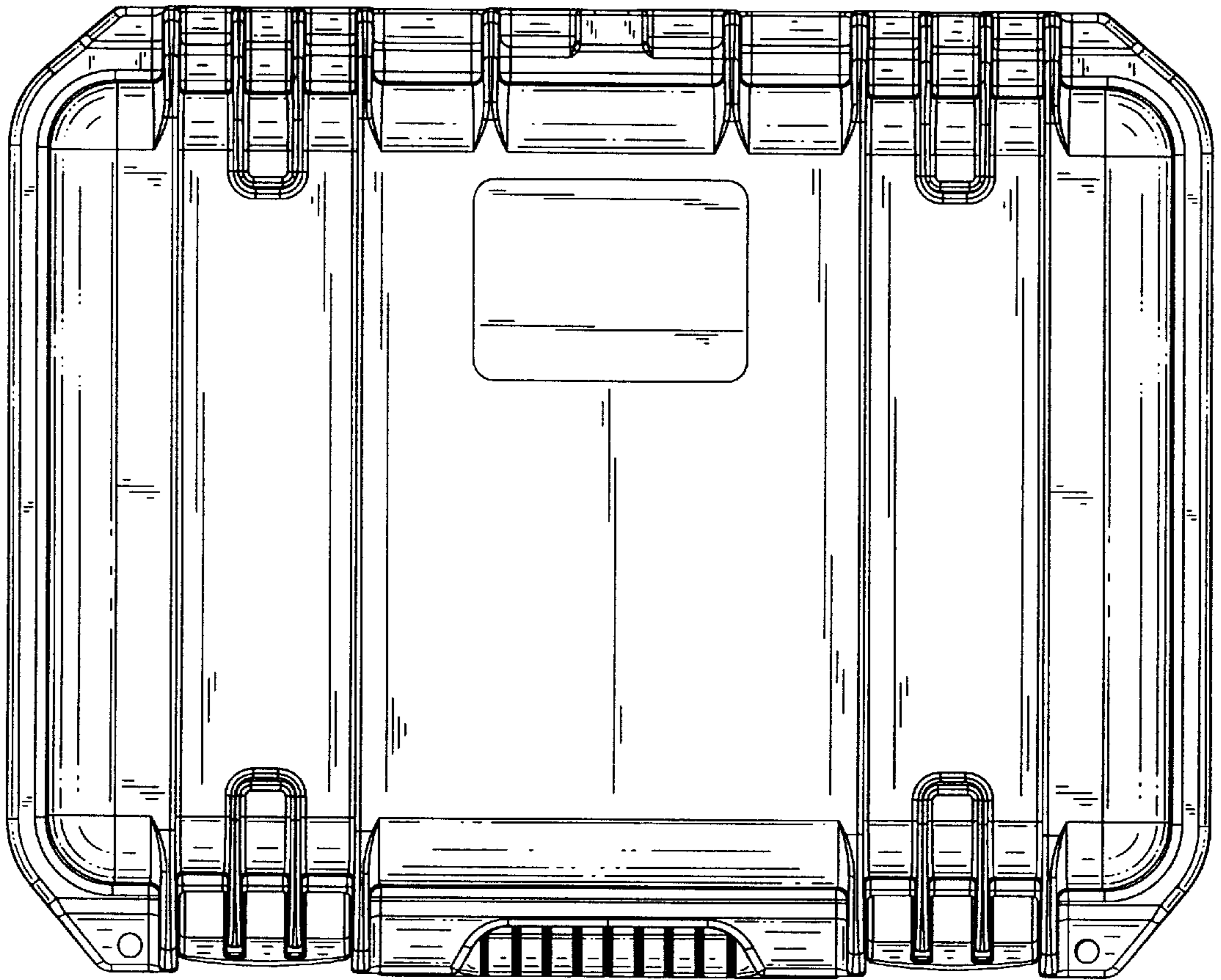


FIG. 2

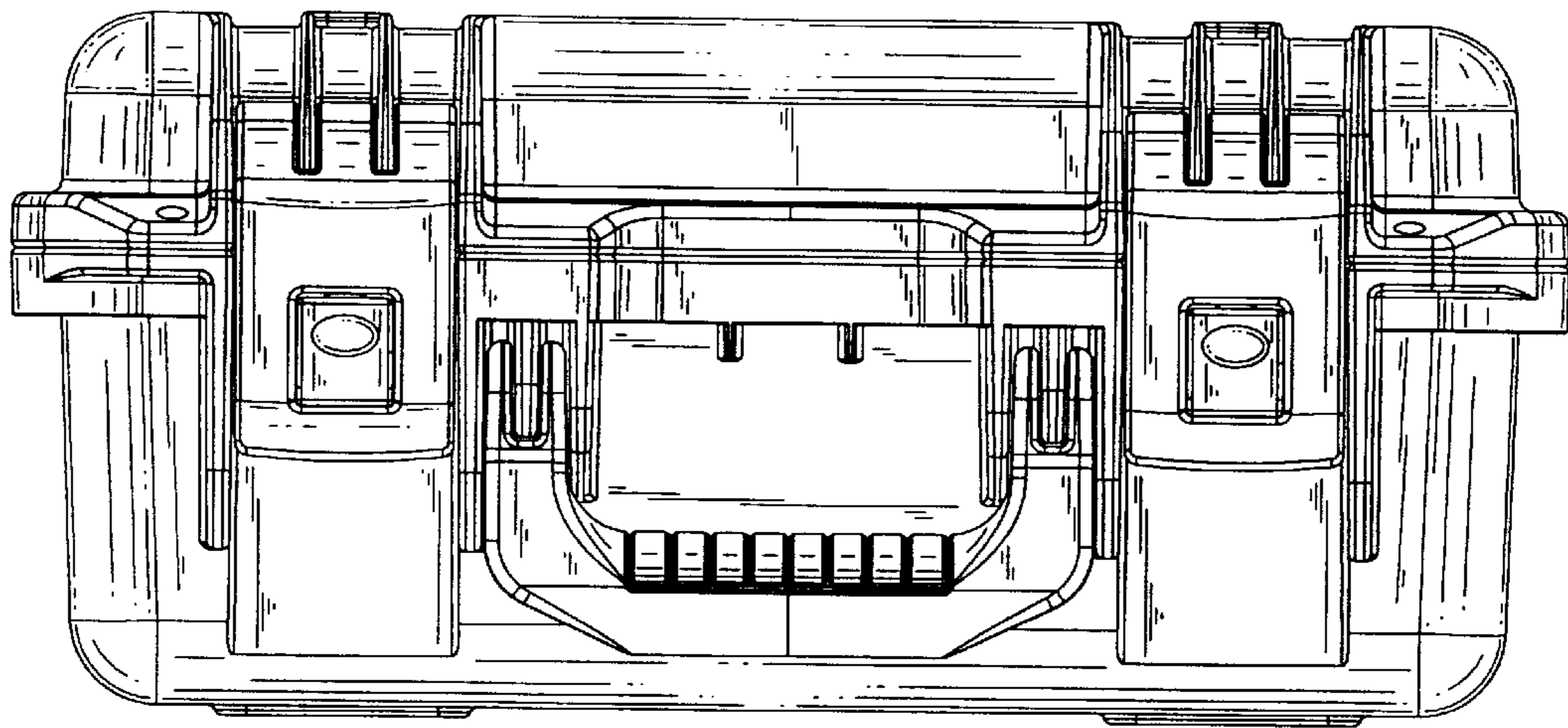


FIG. 3

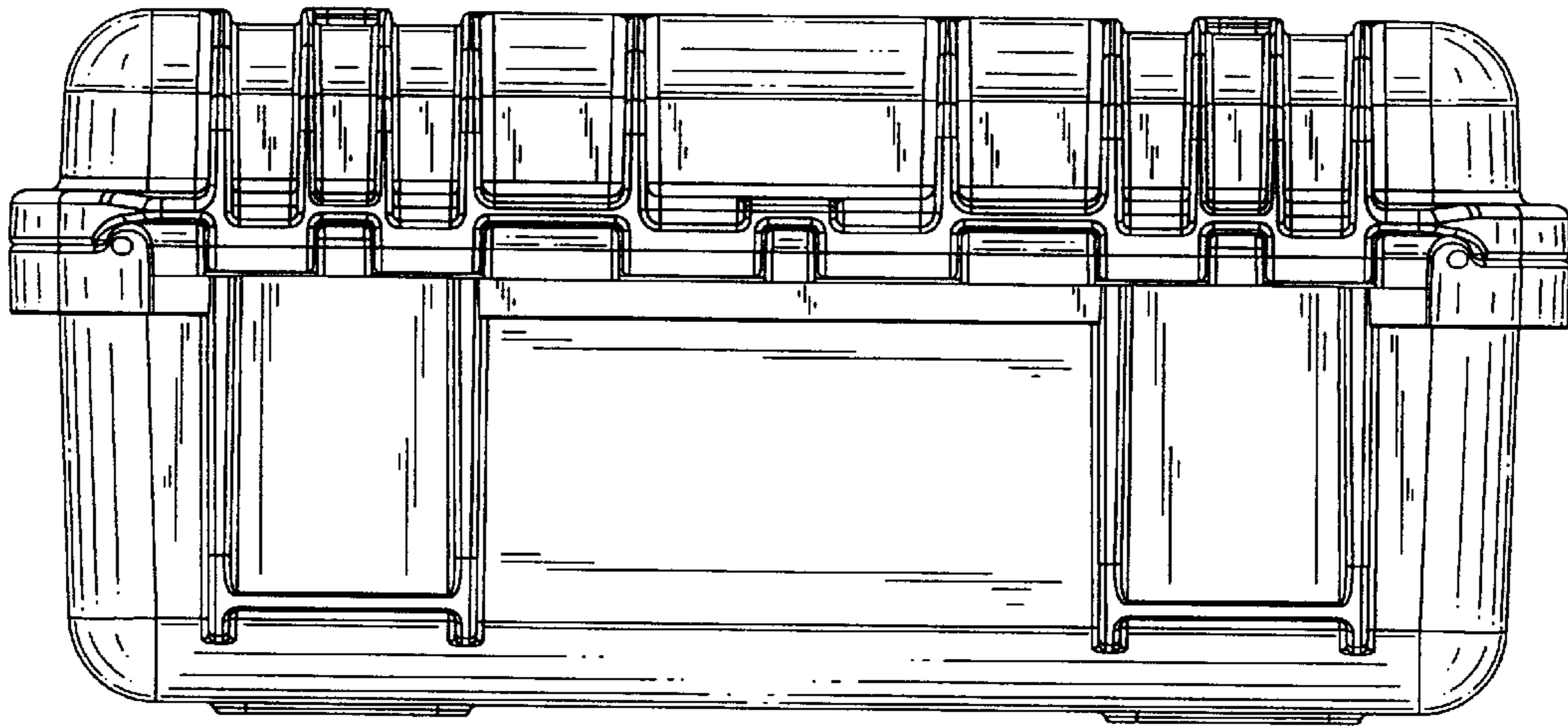


FIG. 4



FIG. 5

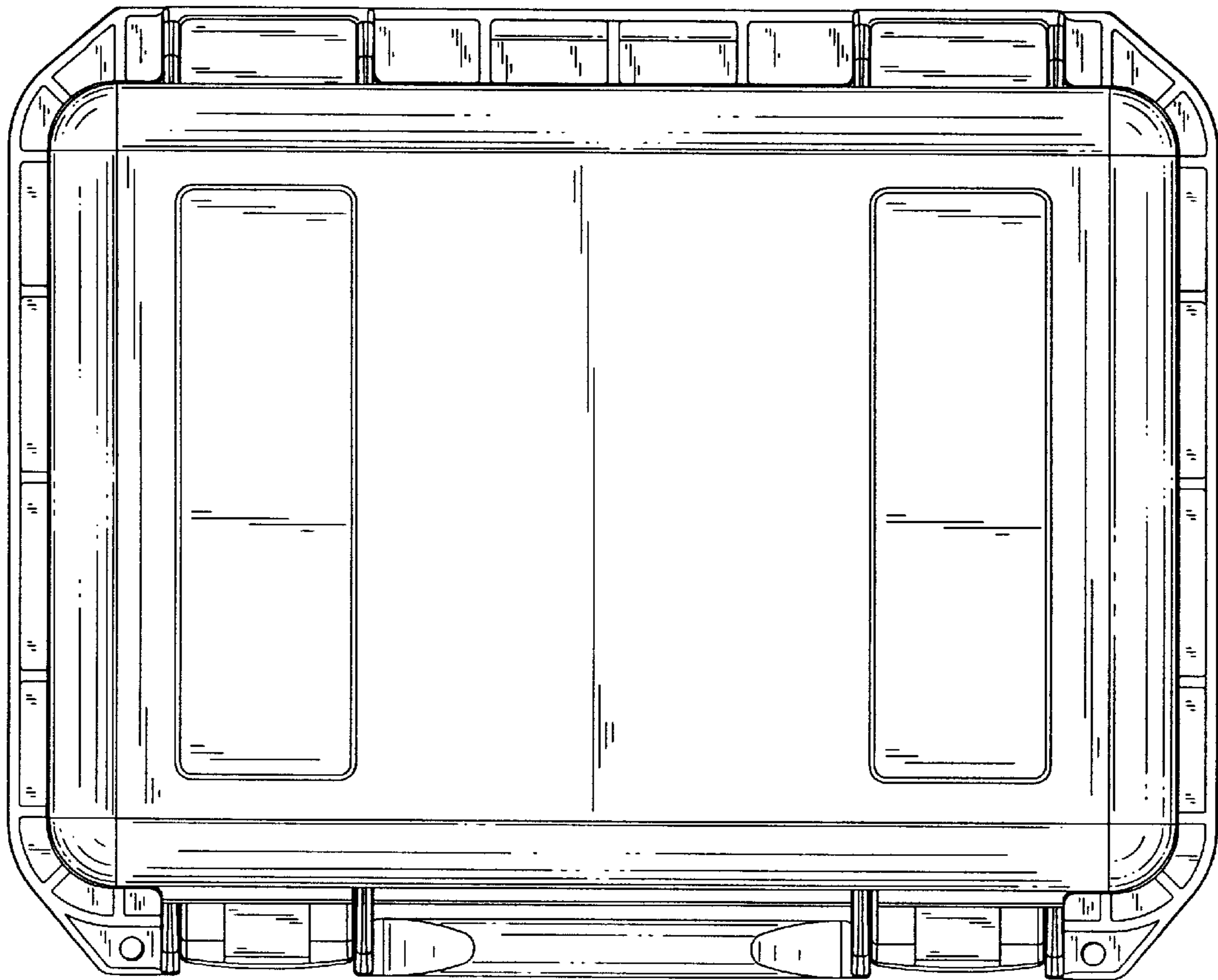


FIG. 6