



US00D462518S

(12) **United States Design Patent**  
**Truffier-Blanc et al.**

(10) **Patent No.:** **US D462,518 S**

(45) **Date of Patent:** **\*\* Sep. 10, 2002**

(54) **COVER FOR PORTABLE COMPUTER**

D399,057 S \* 10/1998 Akutsu ..... D3/276

(76) Inventors: **Gerald Truffier-Blanc**, 438 chemin de  
la Proula, 38190 Bernin (FR); **Francois**  
**Picot**, Le Presbytere, 74210 Geiz (FR)

**FOREIGN PATENT DOCUMENTS**

FR 974742 8/1997

(\*\*) Term: **14 Years**

\* cited by examiner

(21) Appl. No.: **29/097,117**

*Primary Examiner*—Philip S. Hyder

(22) Filed: **Nov. 27, 1998**

(74) *Attorney, Agent, or Firm*—Greenblum & Bernstein,  
P.L.C.

(51) **LOC (7) Cl.** ..... **03-01**

(52) **U.S. Cl.** ..... **D3/273; D3/294; D3/276**

(58) **Field of Search** ..... D3/272, 273, 276,  
D3/289, 290, 287, 286; 206/320; 190/109,  
110, 115, 116, 172, 122

(57) **CLAIM**

We claim the ornamental design for a cover for portable  
computer, as shown and described.

(56) **References Cited**

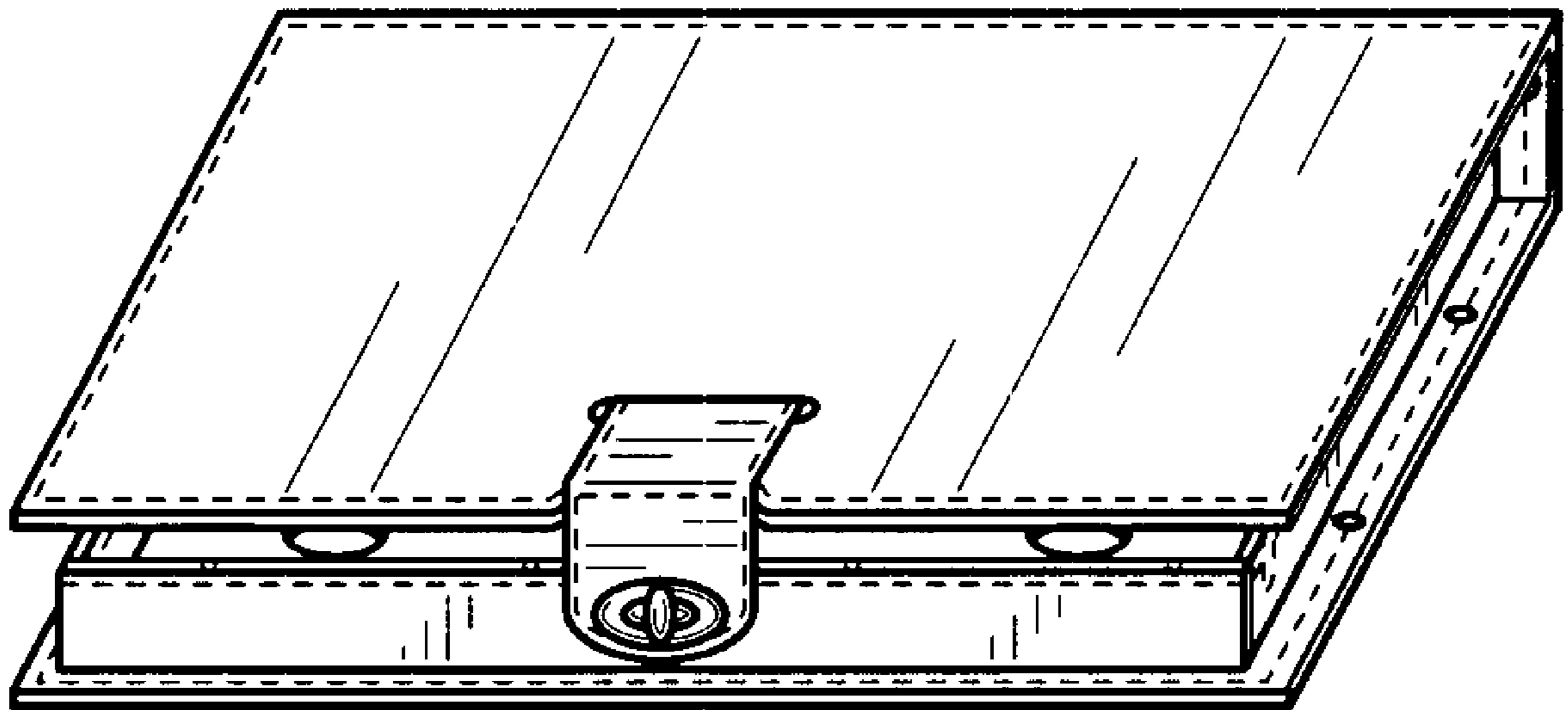
**U.S. PATENT DOCUMENTS**

1,871,197 A	*	8/1932	Plotkin	.....	190/900
D268,714 S	*	4/1983	Goedel	.....	D3/273
D338,104 S	*	8/1993	Lee	.....	D3/287
D346,491 S	*	5/1994	Shoaf	.....	D3/289
D358,483 S	*	5/1995	Cross et al.	.....	D3/289
D358,935 S	*	6/1995	Chang et al.	.....	D3/289
D360,075 S	*	7/1995	Cross et al.	.....	D3/289
D380,610 S	*	7/1997	Corrales	.....	D3/274
D380,612 S	*	7/1997	Kelley et al.	.....	D3/289

**DESCRIPTION**

FIG. 1 is a rear elevation view of a cover for a portable  
computer, showing our new design;  
FIG. 2 is left side elevation view thereof;  
FIG. 3 is a top plan view thereof;  
FIG. 4 is a right side elevation view thereof;  
FIG. 5 is a bottom plan view thereof;  
FIG. 6 is a front elevation view thereof;  
FIG. 7 is a perspective view thereof, in a closed position;  
and,  
FIG. 8 is a perspective view thereof, in an open position.

**1 Claim, 2 Drawing Sheets**



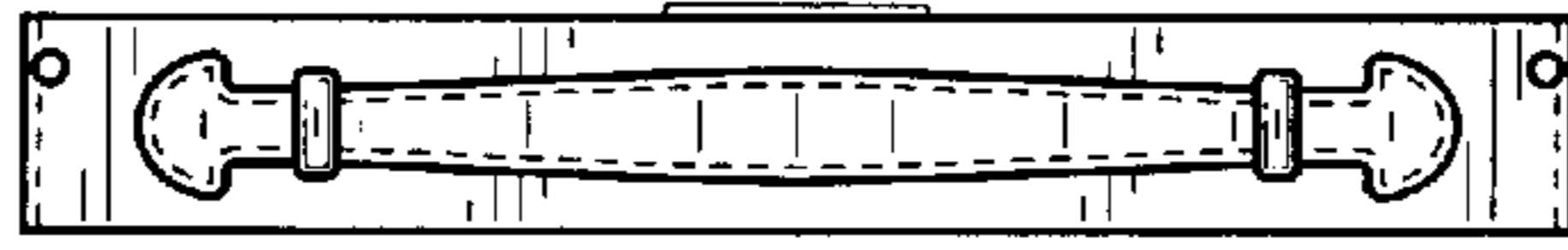


FIG. 1

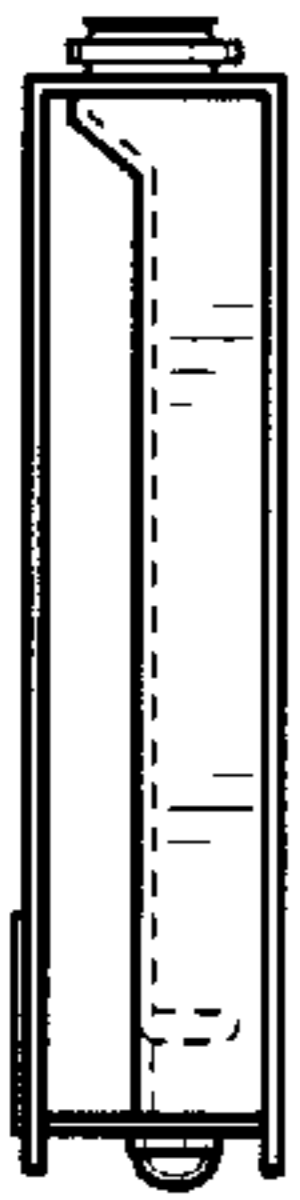


FIG. 2

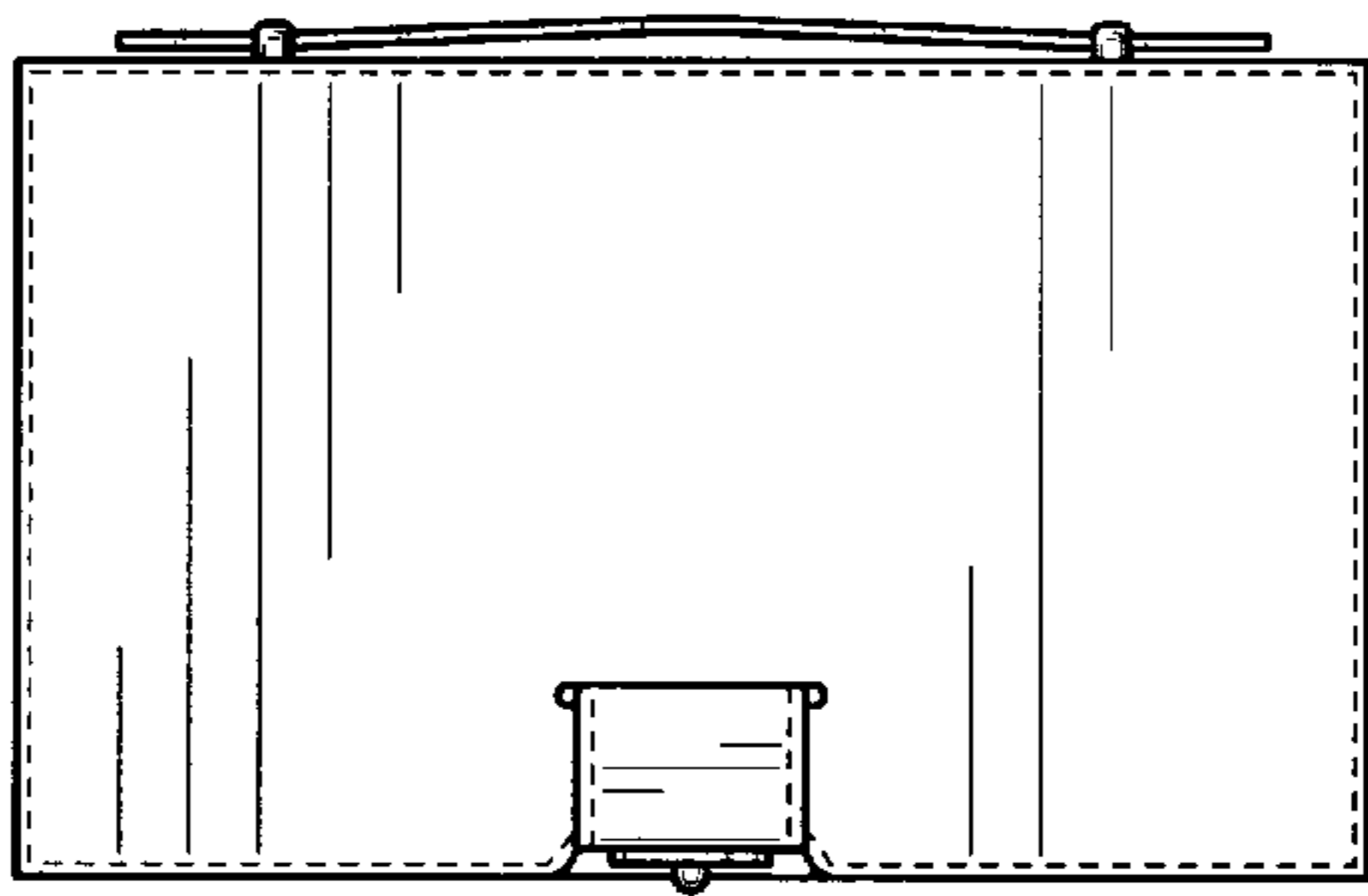


FIG. 3

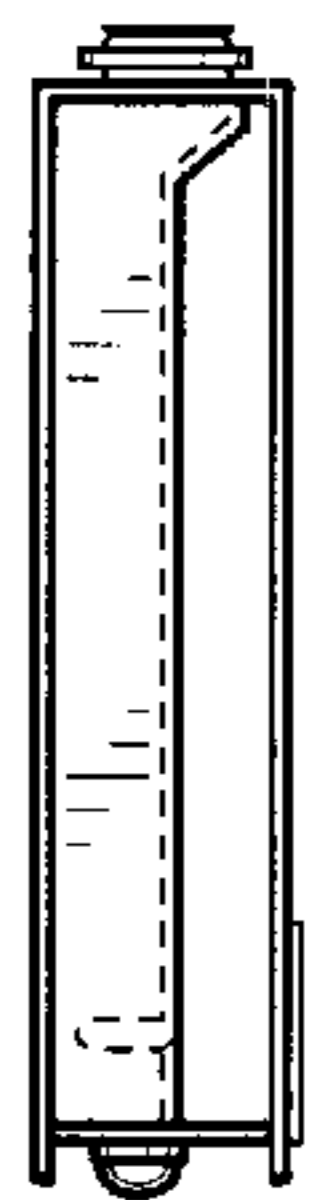


FIG. 4

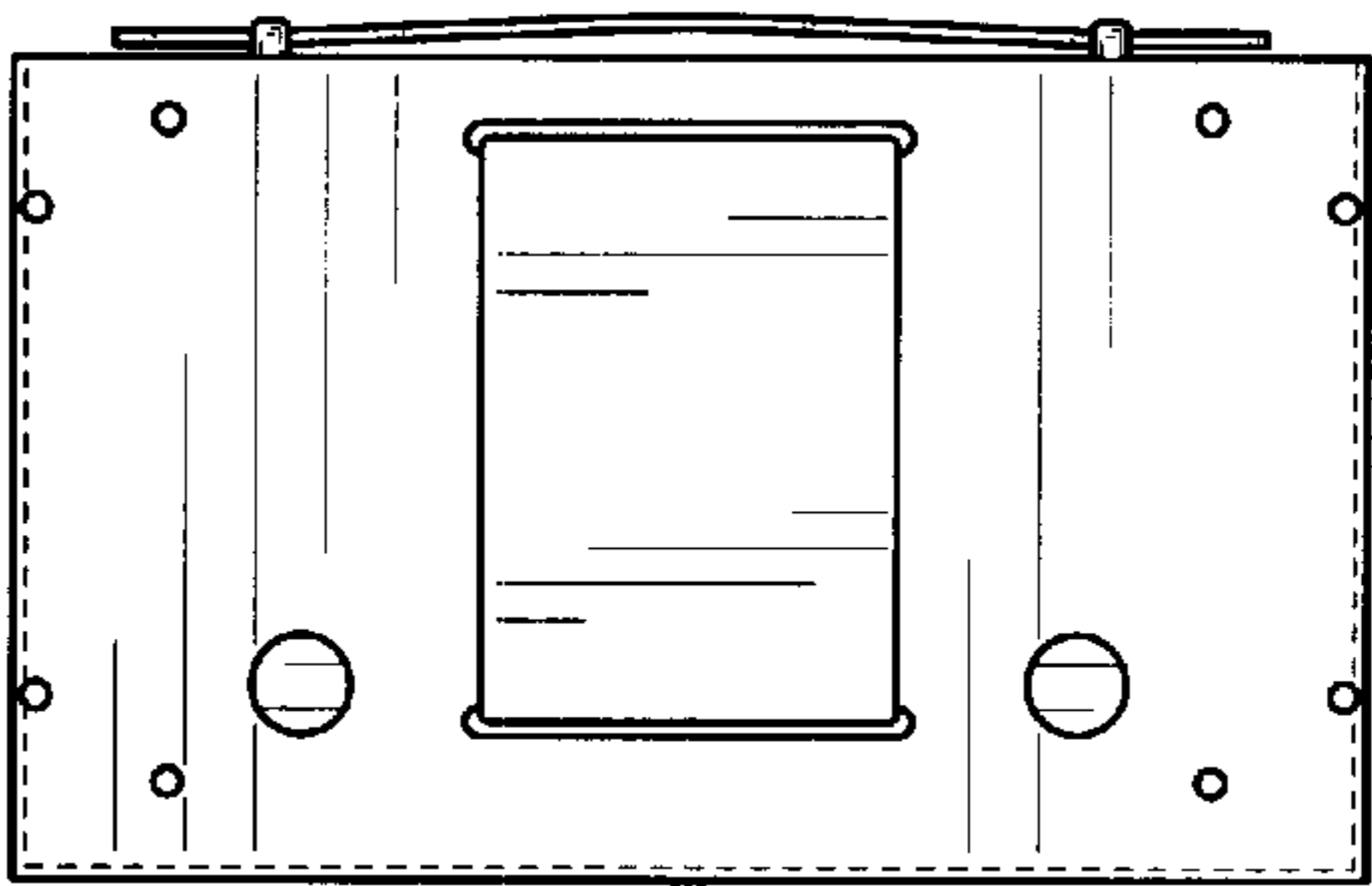


FIG. 5



FIG. 6

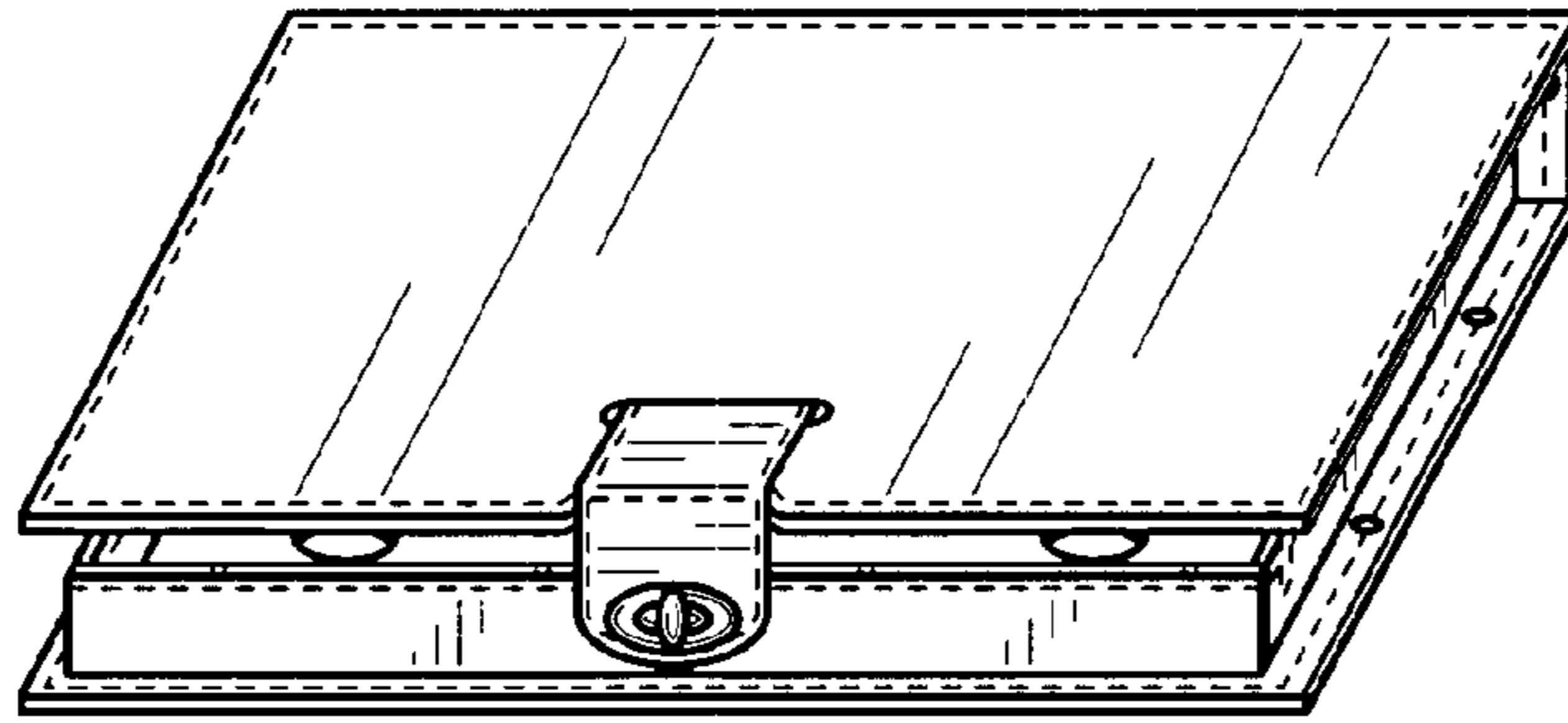


FIG. 7

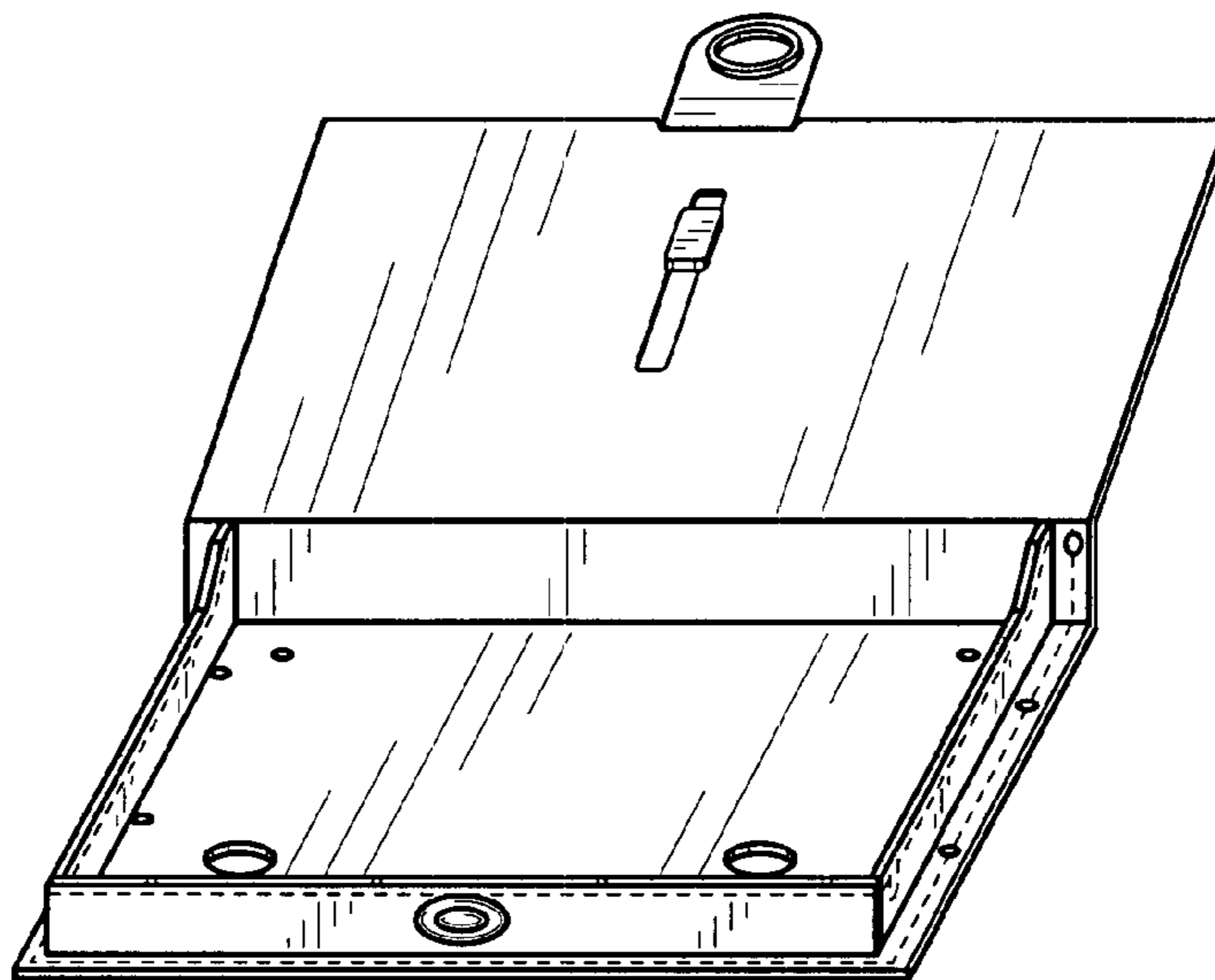


FIG. 8