



US00D462513S

(12) **United States Design Patent** (10) **Patent No.:** **US D462,513 S**
Holzhaus, II et al. (45) **Date of Patent:** **** Sep. 10, 2002**

(54) **FIREARM SLING**

(76) Inventors: **Ralph L. Holzhaus, II**, 6344 W. Baseline Rd., Laveen, AZ (US) 85339;
Giles R. Stock, 4341 W. Villa Rita, Glendale, AZ (US) 85308

(**) Term: **14 Years**

(21) Appl. No.: **29/147,609**

(22) Filed: **Aug. 30, 2001**

(51) **LOC (7) Cl.** **03-01**

(52) **U.S. Cl.** **D3/221**

(58) **Field of Search** D3/221, 262; 224/150, 224/913, 149, 257, 258, 250; 42/85, 94; 248/118

(56) **References Cited**

U.S. PATENT DOCUMENTS

5,082,155	A	*	1/1992	Salvador	224/150
5,575,411	A	*	11/1996	Hightower	224/149
5,735,496	A	*	4/1998	Dube	248/118
D400,007	S	*	10/1998	Stevens	D3/221
6,068,167	A	*	5/2000	Hopson	224/150
6,260,748	B1	*	7/2001	Lindsey	224/150

OTHER PUBLICATIONS

The Sportsman's Guide, MAK-90 or AK-47 with Sling, p. 98, 1995.*

* cited by examiner

Primary Examiner—Catherine R. Oliver
(74) *Attorney, Agent, or Firm*—Jordan Meschkow; Lowell Gresham; Meschkow & Gresham PLC

(57) **CLAIM**

The ornamental design for a firearm sling, as shown and described.

DESCRIPTION

FIG. 1 is a front perspective view of a firearm sling, showing our new design;

FIG. 2 is a front view thereof;

FIG. 3 is a rear view thereof;

FIG. 4 is a left side view thereof;

FIG. 5 is a right side view thereof;

FIG. 6 is a top plan view thereof;

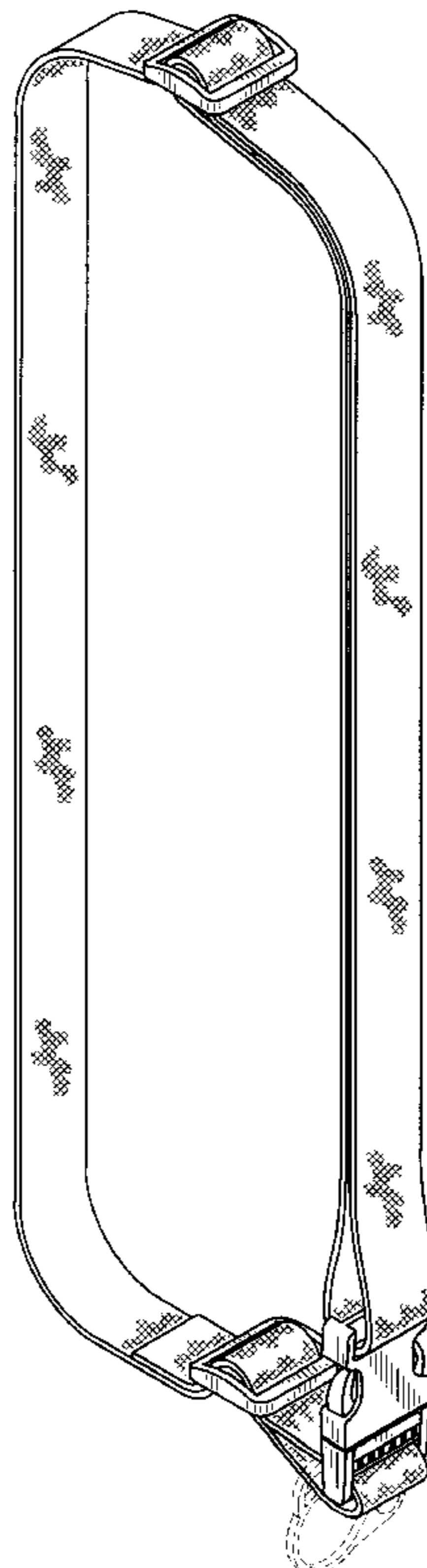
FIG. 7 is a bottom plan view thereof;

FIG. 8 is a front perspective view, shown in use; and,

FIG. 9 is a front view shown in use.

The broken line showing of environment in the drawings is for illustrative purposes only and forms no part of the claimed design.

1 Claim, 7 Drawing Sheets



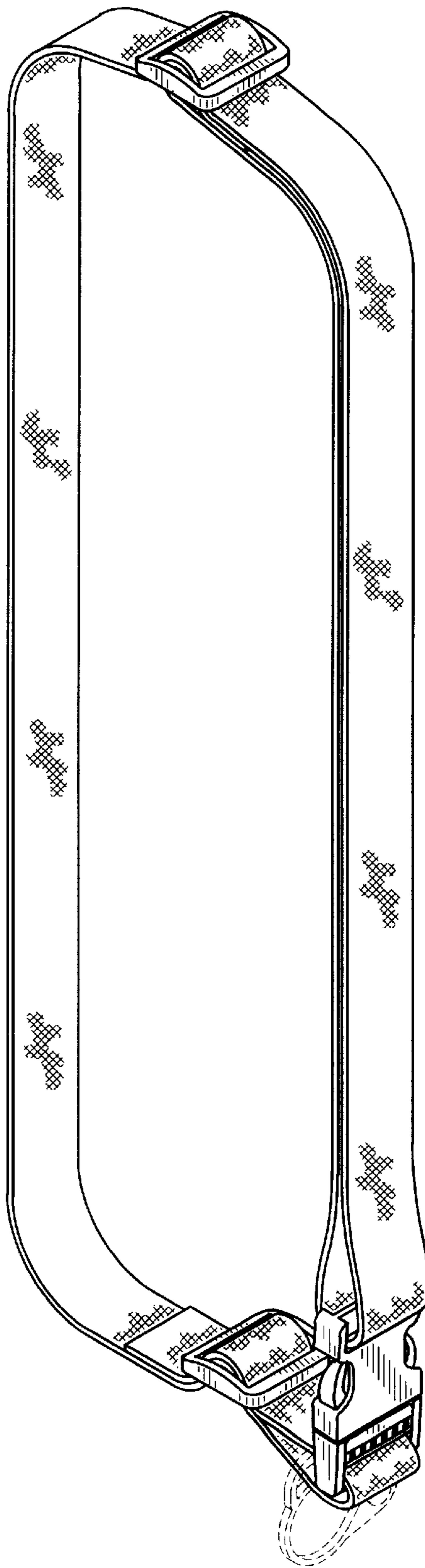


FIG. 1

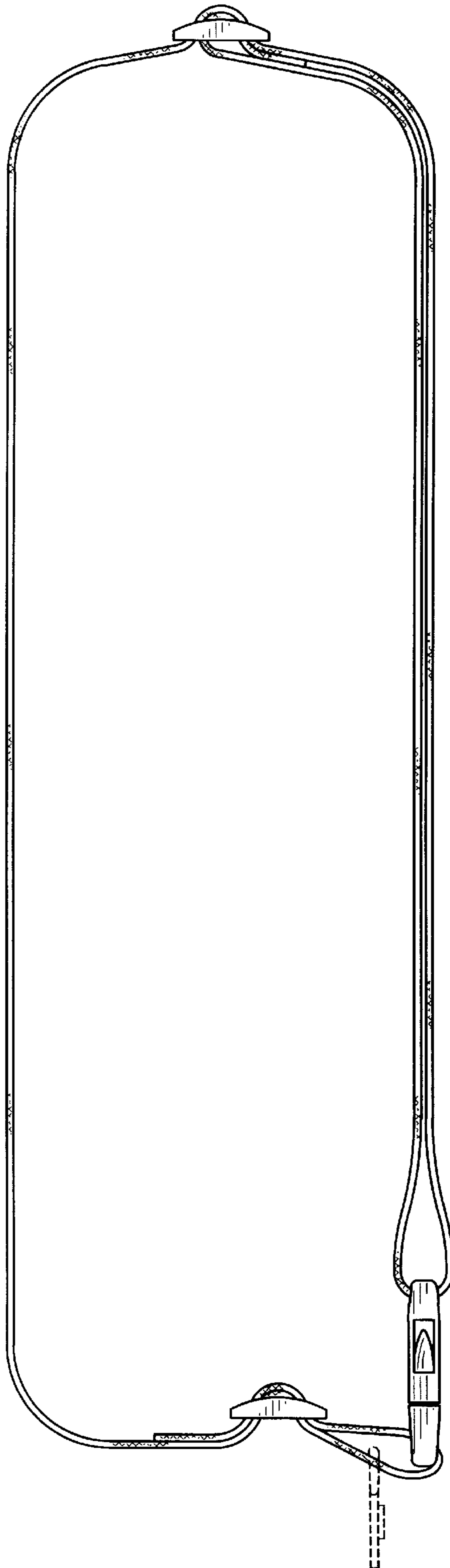


FIG. 2

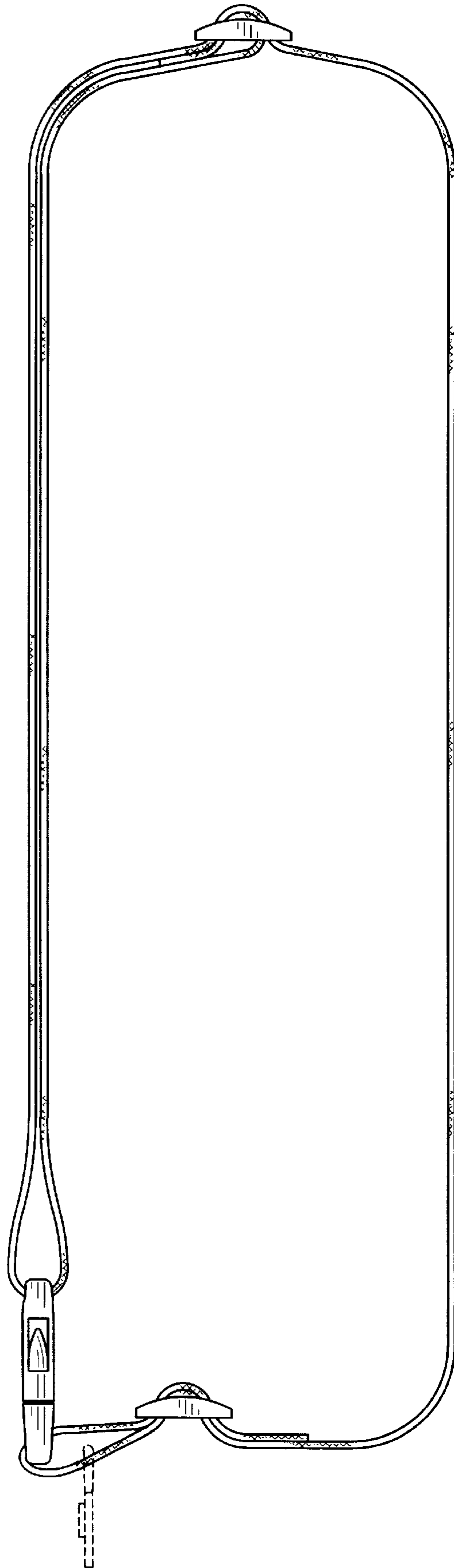


FIG. 3

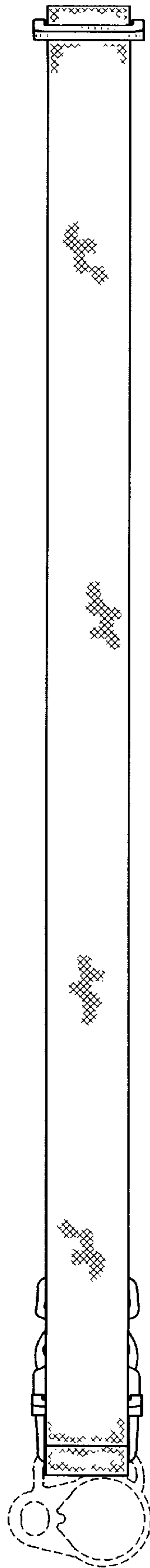


FIG. 4

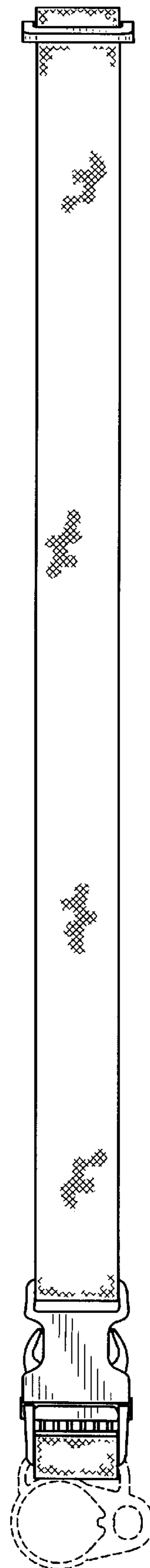


FIG. 5

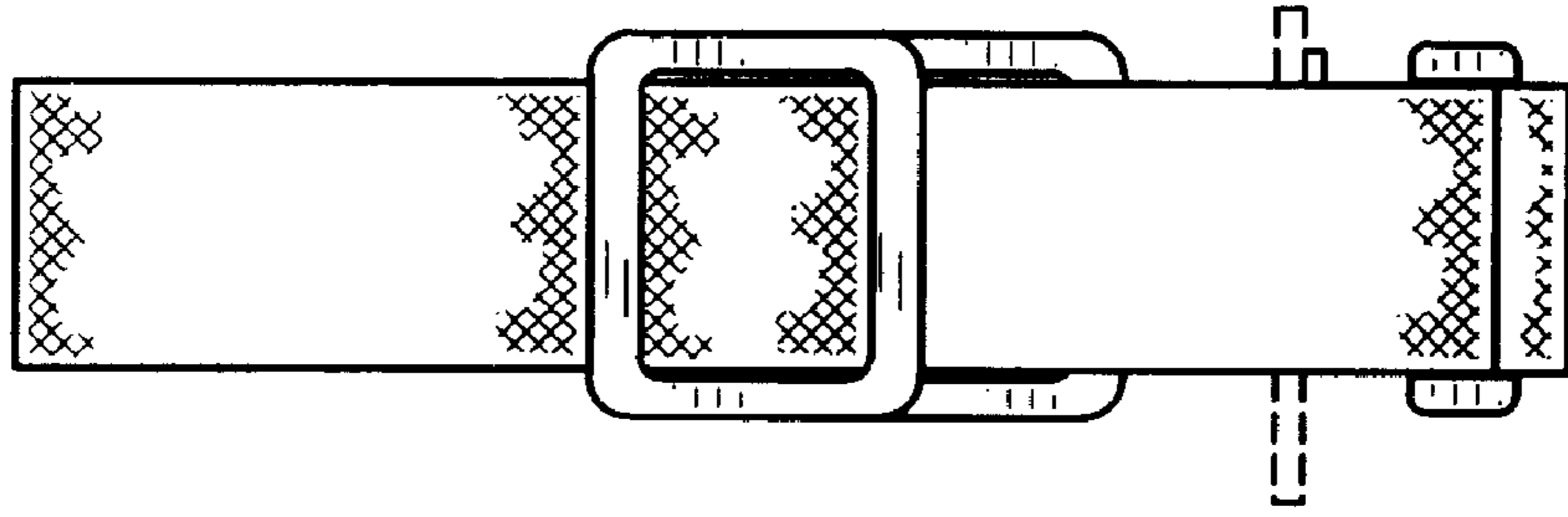


FIG. 6

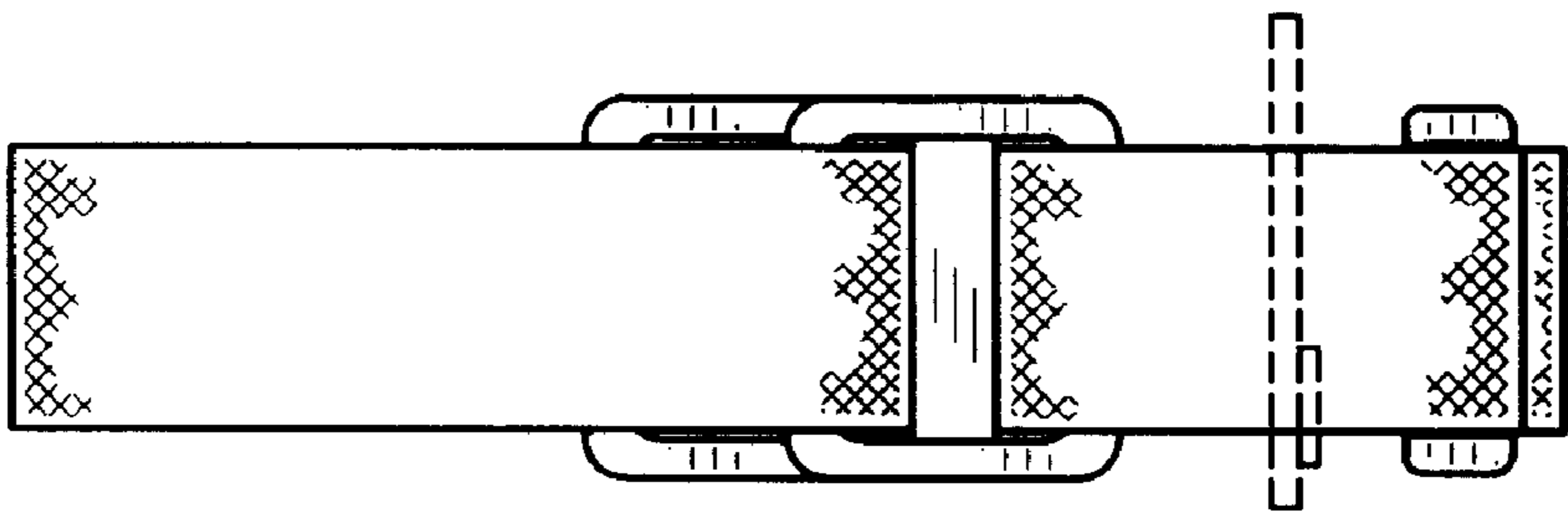


FIG. 7

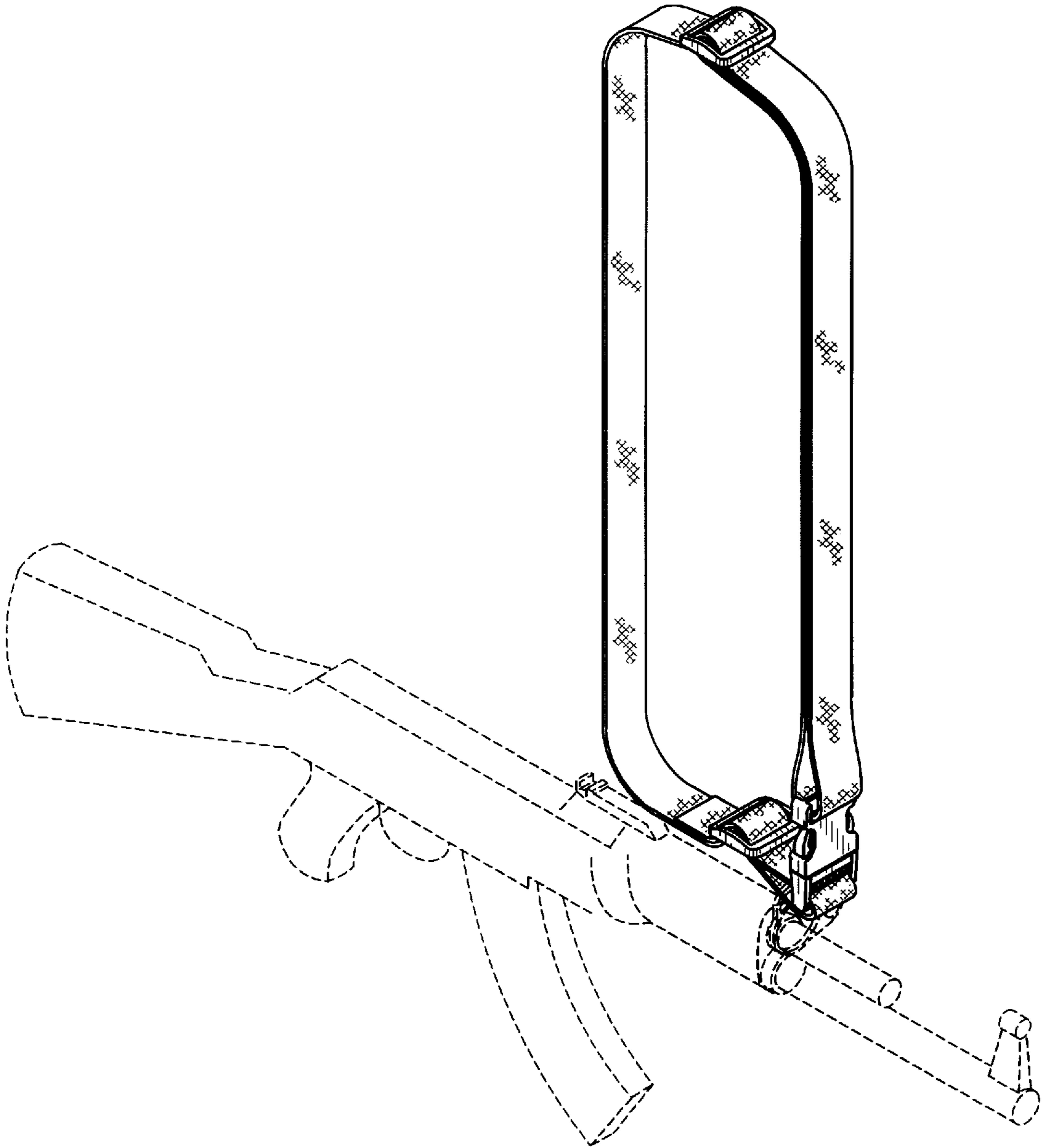


FIG. 8

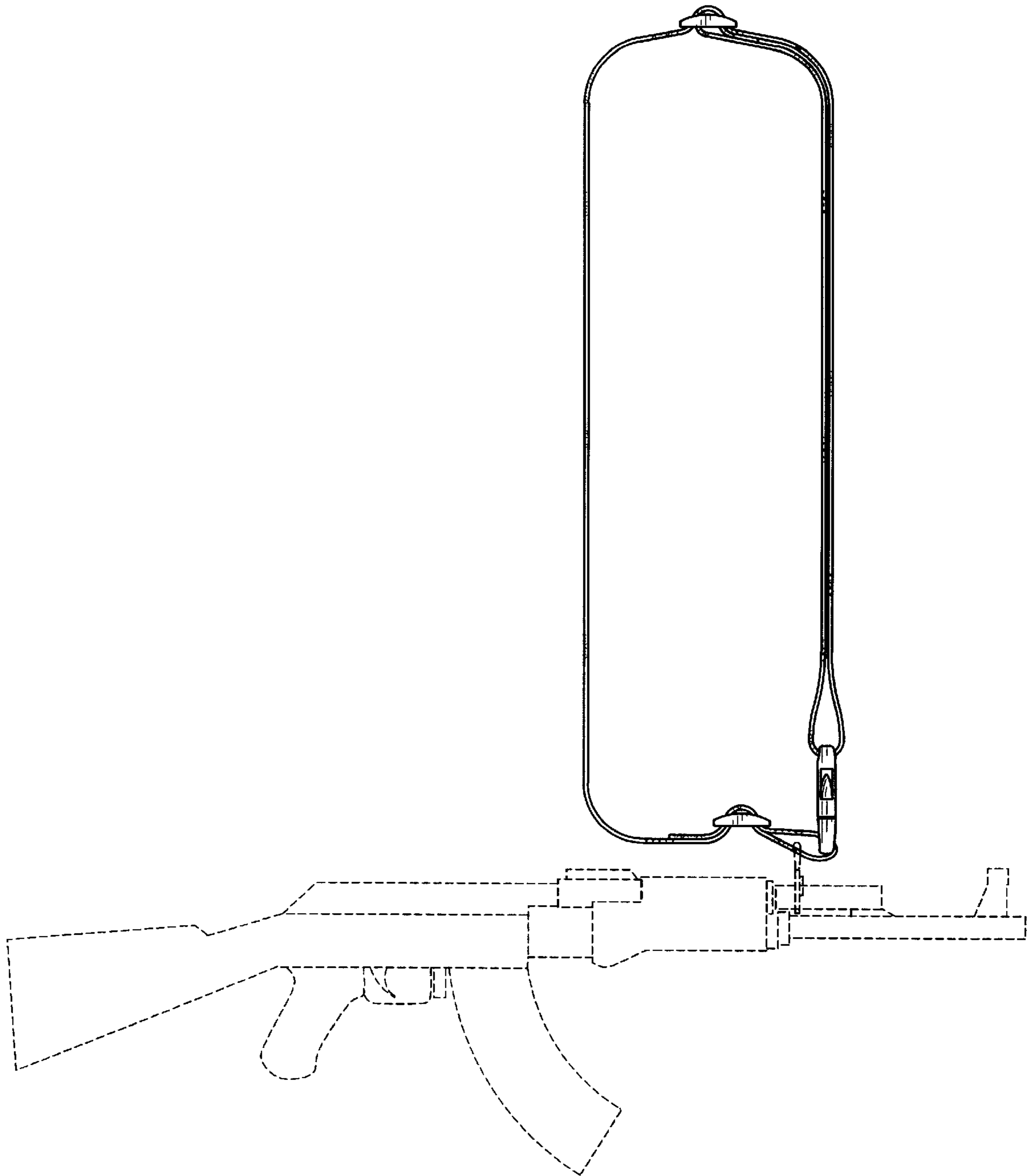


FIG. 9