



US00D462501S

(12) **United States Design Patent**  
**Allen et al.**

(10) **Patent No.: US D462,501 S**  
(45) **Date of Patent: \*\* Sep. 10, 2002**

- (54) **CEREAL BAR HAVING A CEREAL PIECE INCLUDED THEREON**
- (75) Inventors: **Patrick E Allen**, Monticello; **Barrie R Froseth**, Plymouth; **Dean F Funk**, Brooklyn Park; **Robert J Harrison**, Champlin; **Dena K Strehlow**, Maple Grove, all of MN (US)
- (73) Assignee: **General Mills, Inc.**, Minneapolis, MN (US)
- (\*\*) Term: **14 Years**
- (21) Appl. No.: **29/111,595**
- (22) Filed: **Sep. 30, 1999**
- (51) **LOC (7) Cl. .... 01-01**
- (52) **U.S. Cl. .... D1/101**
- (58) **Field of Search ..... D1/100, 101, 114, D1/120-130, 199; 426/94, 96, 103, 808, 104, 549, 559, 560, 618-622, 625, 439, 440, 445, 446, 449, 450, 462, 463, 499**

(56) **References Cited**

**U.S. PATENT DOCUMENTS**

1,663,719 A *	3/1928	Morley .....	426/549
1,813,099 A *	7/1931	Story .....	426/139
2,092,160 A *	9/1937	Hawerlander .....	426/94
2,310,463 A *	2/1943	Russell .....	426/499
4,055,669 A	10/1977	Kelly et al. ....	426/93
5,612,074 A	3/1997	Leach .....	426/74
5,804,235 A *	9/1998	Altschul .....	426/104
5,827,564 A *	10/1998	Bodkin, Sr. ....	426/620
D409,355 S	5/1999	Citarella et al. ....	D1/107

**OTHER PUBLICATIONS**

- “Packaging Label for Fruit and Oatmeal”, Quaker, 2 pages, (May 1997).
- “Packaging Label for Glenny’s Chocolate Crunch”, Glenn Foods, 1 page, (Jan. 1996).
- “Packaging Label for Golden Grahams Treats”, General Mills, 3 pages, (Oct. 1996).

- “Packaging Label for Golf Pro Nutrition Bar”, 1 page, (Nov. 1993).
- “Packaging Label for Healthy Cheesecake Bars”, Health Valley, 1 page, (Jan. 1995).
- “Packaging Label for Hoffman’s Energy Bar”, York Barbell, 1 page, (Nov. 1997).
- “Packaging Label for Just Right Cereal Bars (Australia)”, Kellogg’s, 2 pages, (Feb. 1998).
- “Packaging Label for Kudos”, Mars, 2 pages, (Oct. 1989).
- “Packaging Label for Kushi Cuisine Crispy Rice Bars”, Kushi Macrobiotics, 1 page, (Jan. 1996).
- “Packaging Label for Luna Chocolate Pecan Pie”, Clifbar, 1 page, (Mar. 1999).
- “Packaging Label for Meal Pack”, Bear Valley Foods, 2 pages, (Sep. 1980).
- “Packaging Label for MET-Rx Food Bar”, MET-Rx Substrate Technology, 1 page, (Sep. 1992).
- “Packaging Label for Nature’s Choice Natural Delight Yogurt Dipped Desserts”, Barbara’s Bakery, 2 pages, (Jul. 1999).
- “Packaging Label for Nesquik Biscuit Sticks”, Nestle, 2 pages, (Sep. 1999).
- “Packaging Label for Nutri Grain”, Kellogg’s, 2 pages, (Mar. 1991).
- “Packaging label for Nutri-Grain Twists”, Kellogg’s, Forest Fruits and Yogurt, 1 page, (1998).
- “Packaging Label for Oatmeal Creme Bar Chewy Whole Grain Snack Bar”, Starbucks, 1 page, (Dec. 1998).

(List continued on next page.)

*Primary Examiner*—Alan P. Douglas  
*Assistant Examiner*—Linda Brooks  
 (74) *Attorney, Agent, or Firm*—John A. O’Toole; Douglas J. Taylor; Barbara J. Clark

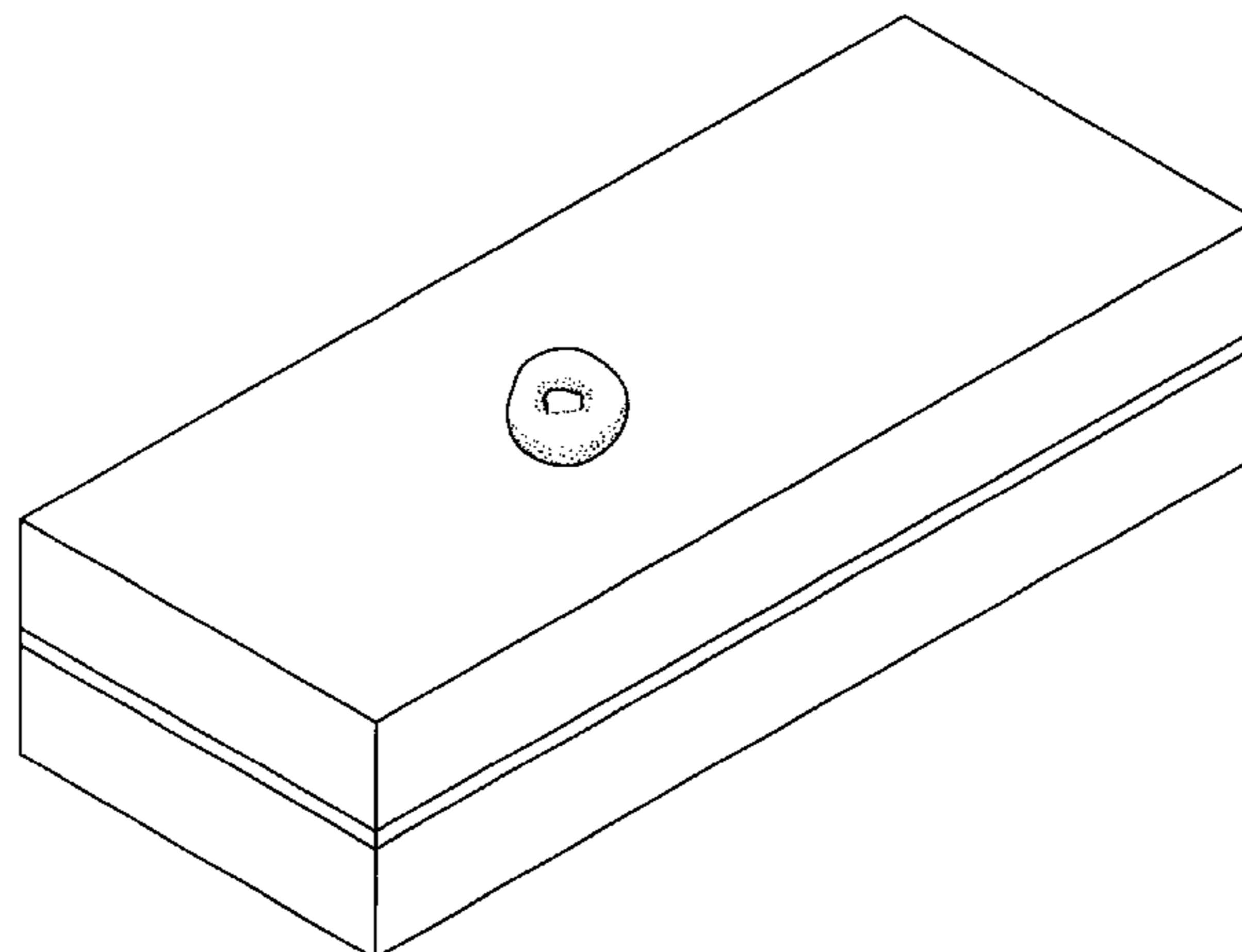
(57) **CLAIM**

The ornamental design for a cereal bar having a cereal piece included thereon, as shown and described.

**DESCRIPTION**

The FIGURE is a perspective view of a cereal bar having a cereal piece included thereon.

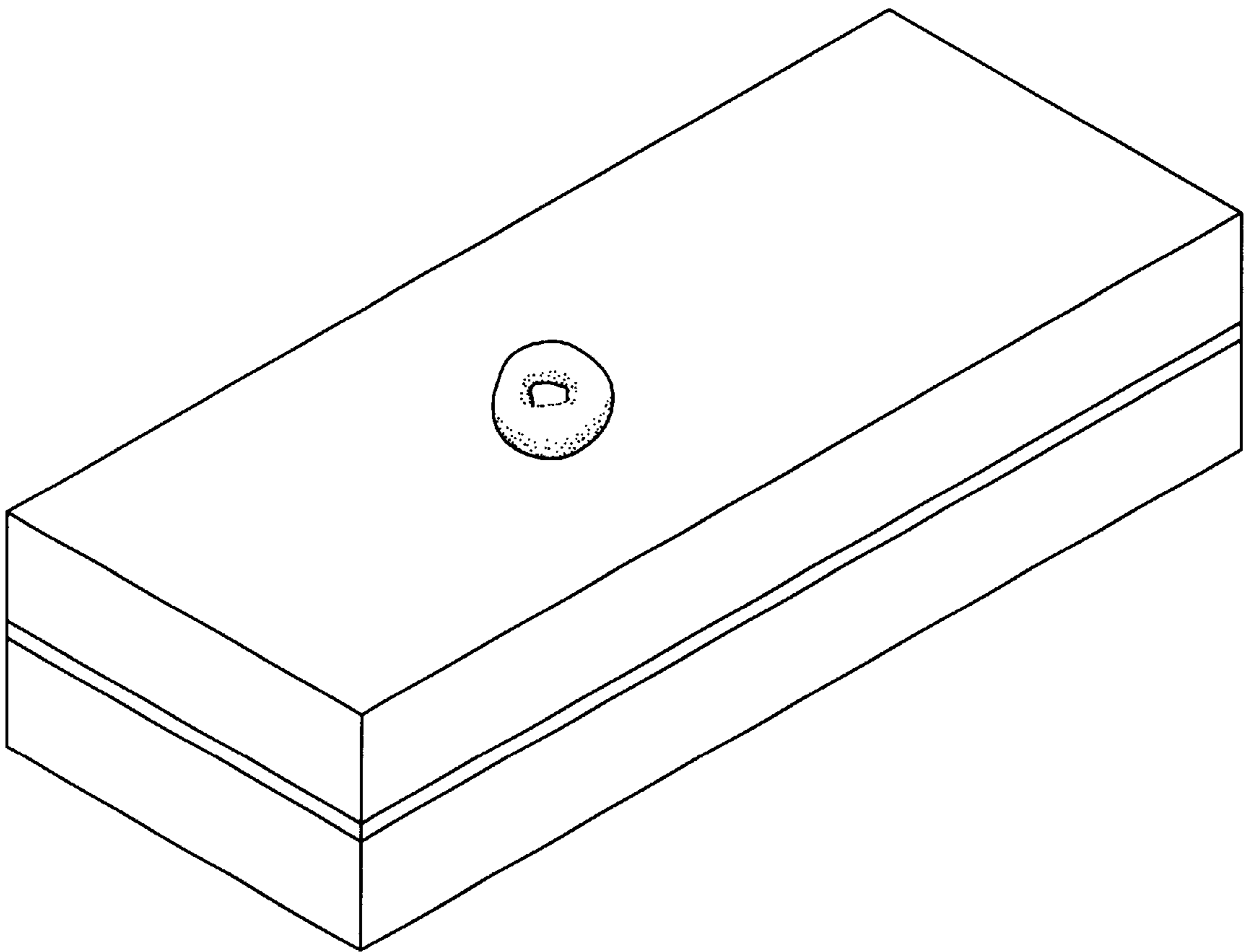
**1 Claim, 1 Drawing Sheet**



OTHER PUBLICATIONS

- “Packaging Label for Power Bar”, Powerfood, 1 page, (Jun. 1991).
- “Packaging Label for Pro Tour”, Barbara’s Bakery, 1 page, (Jan. 1996).
- “Packaging Label for Prozone”, NutriBiotic, 1 page, (Aug. 1996).
- “Packaging Label for Rice Cake Sandwich Choco and Cheese”, Granco, 4 pages, (Jul. 1999).
- “Packaging Label for Rice Krispies Treats Chocolate Chip”, Kellogg’s, 2 pages, (May 1997).
- “Packaging Label for Rice Krispies Treats Peanut Butter Chocolate”, Kellogg’s, 3 pages, (Apr. 1999).
- “Calif raises the bar”, *Food Processing*, Advertisement, 1 page, (May 1999).
- “Crunchy Nut (Australia) (Corn Flake Cereal Bars)”, Kellogg’s, 2 pages, (Feb. 1998).
- “Nutri Grain Twists”, Kellogg’s, 2 pages, (Oct. 1998).
- “Packaging Label for Balance”, Bio-Foods, 2 pages, (1994).
- “Packaging Label for Balance Outdoor”, Balance Bar, 1 page, (Jul. 1999).
- “Packaging Label for Boost”, Mead Johnson, 1 pages, (Feb. 1998).
- “Packaging Label for Breakfast Bars”, Hain Pure Foods, 2 pages, (Jun. 1997).
- “Packaging Label for Breakfast Squares”, General Mills, 2 pages, (Apr. 1970).
- “Packaging Label for Breakthru Nutrition Bar”, Glenn Foods, 1 page, (Mar. 1998).
- “Packaging Label for Cap’n Crunch Treats”, Quaker, 2 pages, (Mar. 1997).
- “Packaging Label for Carnation Instant Breakfast Bars”, Nestle, 2 pages, (prior to 1997).
- “Packaging Label for Chewy Granola Bars”, Quaker, 2 pages, (Jan. 1990).
- “Packaging Label for Clif Bar”, Kali’s SportsNaturals, 1 page, (Sep. 1991).
- “Packaging Label for Clif Kicks Bar”, Kali’s SportsNaturals, 2 pages, (Jul. 1997).
- “Packaging label for Coco Pops Cereal & Milk Bars”, Kellogg’s, 1 page, (1999).
- “Packaging Label for Corny Snack Bars”, Schwartau, 2 pages, (Nov. 1999).
- “Packaging Label for Diet Fuel”, Twin Lab, 1 page, (Jul. 1998).
- “Packaging Label for Edge Bar”, Nutritional N-Er-G Products, 2 pages, (Jul. 1991).
- “Packaging Label for Shaqbar”, Amway, 2 pages, (Oct. 1995).
- “Packaging Label for Snackwell’s Hearty Fruit’n Grain Cereal Bars”, Nabisco, 1 page, (prior to 1999).
- “Packaging Label for Source Bar”, Empowered Athletics, 1 page (Aug. 1996).
- “Packaging Label for Stoker Energy Bar”, BTU Stoker, 1 page, (May 1994).
- “Packaging Label for Sustain Cereal Bars (Australia)”, Kellogg’s, 2 pages, (Feb. 1998).
- “Packaging label for Think Interactive Bar”, Personal Health Development, 4 pages, (Jan. 1996).
- “Packaging Label for Trek Bar”, Mountain Biscuit, 1 page, (Feb. 1997).
- “Packaging Label for Whole Grain Bars”, Earth’s Best, 2 pages, (May 1996).
- “Packing Label for New Yorker Breakfast Bar”, Renshaw Scott Ltd. (England), 2 pages, (Jul. 1999).
- “Packing Label for Oreo Granola Bars”, Nabisco, 2 pages, (Mar. 1994).
- “Packaging Label for Snackwell’s Cereal Bars”, Nabisco, 2 pages, (Jun. 1996).
- “Power Bark for Fido”, Food Processing, Advertisement, 1 page, (May 1999).
- “Rice Krispies Treats Crispy Marshmallow Squares”, Kellogg’s, 4 pages, (Apr. 1999).
- “Packaging label for Frosties Cereal & Milk Bars”, Kellogg’s, 1page, (1999).

\* cited by examiner





UNITED STATES PATENT AND TRADEMARK OFFICE  
**CERTIFICATE OF CORRECTION**

PATENT NO. : Des. 462,501 S  
DATED : September 10, 2002  
INVENTOR(S) : Dean F. Funk et al.

Page 1 of 1

It is certified that error appears in the above-identified patent and that said Letters Patent is hereby corrected as shown below:

Title page,

Item [56], OTHER PUBLICATIONS, "Packaging Label for Nutri Grain" reference, delete "label" after "Packaging" and insert -- Label -- therefor; and delete "Nutri-Grain" and insert -- Nutri Grain -- therefor.

"Calif raises the bar" reference, delete "Calif" and insert -- Clif -- therefor.

"Crunchy Nut (Australia)" reference, insert -- Packaging Label for -- before "Crunchy Nut".

"Nutri Grain Twists" reference, insert -- Packaging Label for -- before "Nutri Grain Twists".

"Packaging Label For Boost" reference, delete "1 pages" after "Mead Johnson," and insert -- 1 page -- therefor.

"Packaging Label for Clif Bar" reference, delete "Kali's SportsNaturals" and insert -- *Kali's Sports Naturals* -- therefor.

"Packaging Label for Clif Kicks Bar" reference, delete "Kali's SportsNaturals" and insert -- *Kali's Sports Naturals* -- therefor.

"Packaging Label for Coco Pops" reference, delete "label" after "Packaging" and insert -- Label -- therefor.

"Packaging Label for Think Interactive Bar" reference, delete "label" after "Packaging" and insert -- Label -- therefor.

"Packing Label for New Yorker" reference, delete "Packing" and insert -- Packaging -- therefor.

"Packing Label for Oreo" reference, delete "Packing" and insert -- Packaging -- therefor.

"Rice Krispies Treats Crispy" reference, insert -- Packaging Label for -- before "Rice Krispies".

"Packaging Label For Frosties" reference, delete "label" after "Packaging" and insert -- Label -- therefor.

Signed and Sealed this

Twenty-third Day of December, 2003



JAMES E. ROGAN

Director of the United States Patent and Trademark Office