



US00D462498S

(12) **United States Design Patent**
Preble

(10) **Patent No.:** **US D462,498 S**

(45) **Date of Patent:** **** Sep. 3, 2002**

(54) **MAILBOX SUPPORT KIT**

D393,532 S * 4/1998 Black et al. D99/32
5,971,267 A * 10/1999 Beckmann 232/39

(76) Inventor: **Rick Preble**, 308 Wyatt Way,
Bainbridge Island, WA (US) 98110

* cited by examiner

(**) Term: **14 Years**

Primary Examiner—Paula A. Mortimer
(74) *Attorney, Agent, or Firm*—Jensen & Puntigam, P.S.

(21) Appl. No.: **29/153,579**

(57) **CLAIM**

(22) Filed: **Jan. 7, 2002**

The ornamental design for a mailbox support kit, as shown and described.

(51) **LOC (7) Cl.** **99-00**

(52) **U.S. Cl.** **D99/29**

(58) **Field of Search** D99/29, 31, 32,
D99/33, 43; 232/17, 38, 39; 248/146, 156;
52/155, 165

DESCRIPTION

(56) **References Cited**

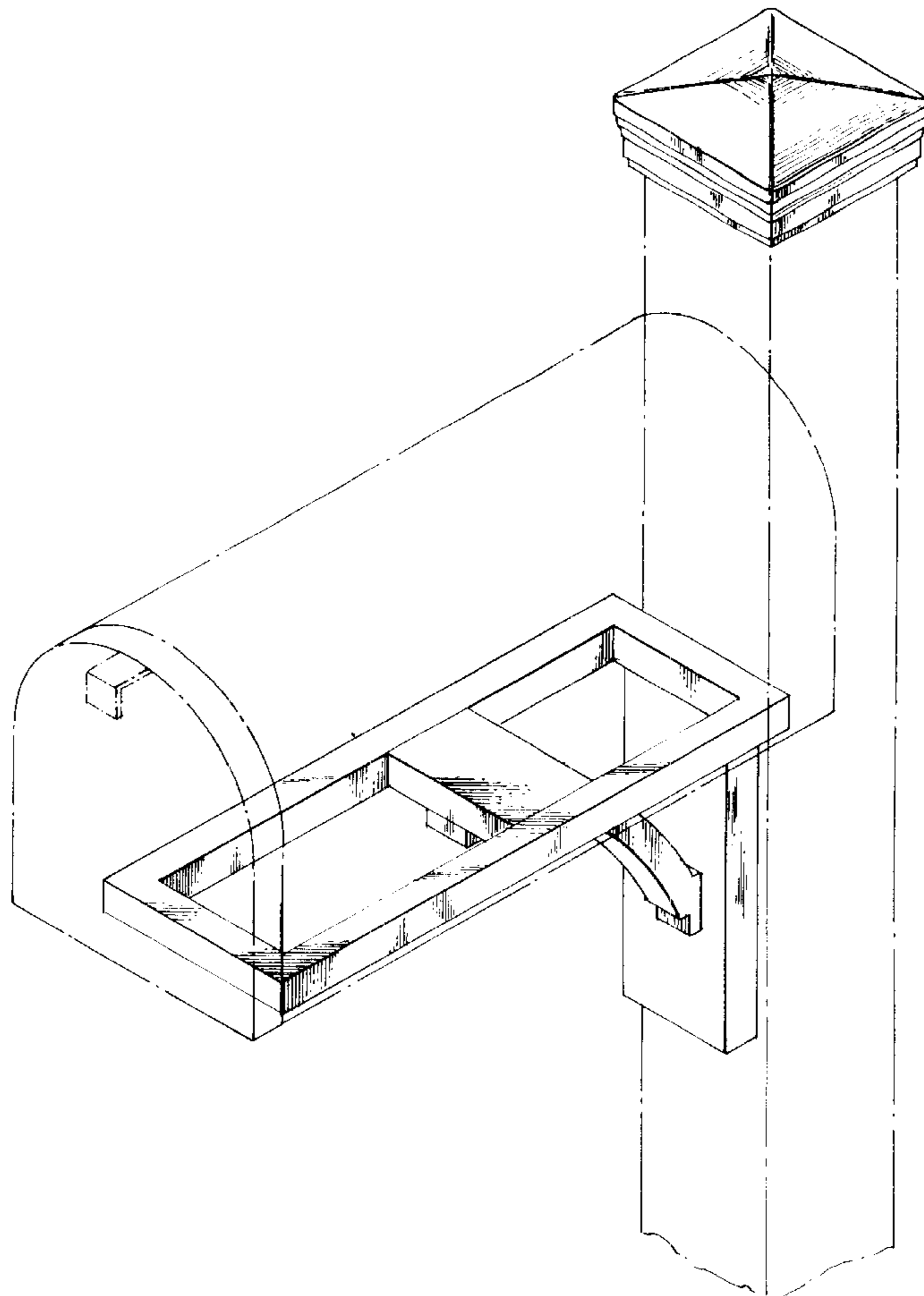
U.S. PATENT DOCUMENTS

4,213,560	A	*	7/1980	Hall	232/39
4,951,904	A	*	8/1990	Obenshain	248/156
5,022,618	A	*	6/1991	Barrett et al.	248/146
D322,877	S	*	12/1991	Roach	D99/32
5,307,598	A	*	5/1994	West	52/155
5,356,072	A	*	10/1994	Thomas	232/39
5,678,757	A	*	10/1997	Martin	232/17

FIG. 1 is an isometric view of a mailbox support kit showing my new design;
FIG. 2 is a side elevational view thereof;
FIG. 3 is a front elevational view thereof;
FIG. 4 is a rear elevational view thereof;
FIG. 5 is a top plan view thereof; and,
FIG. 6 is a bottom plan view thereof.

The broken line showing of the mailbox and post in FIG. 1 is for illustrative purposes only and forms no part of the claimed design.

1 Claim, 4 Drawing Sheets



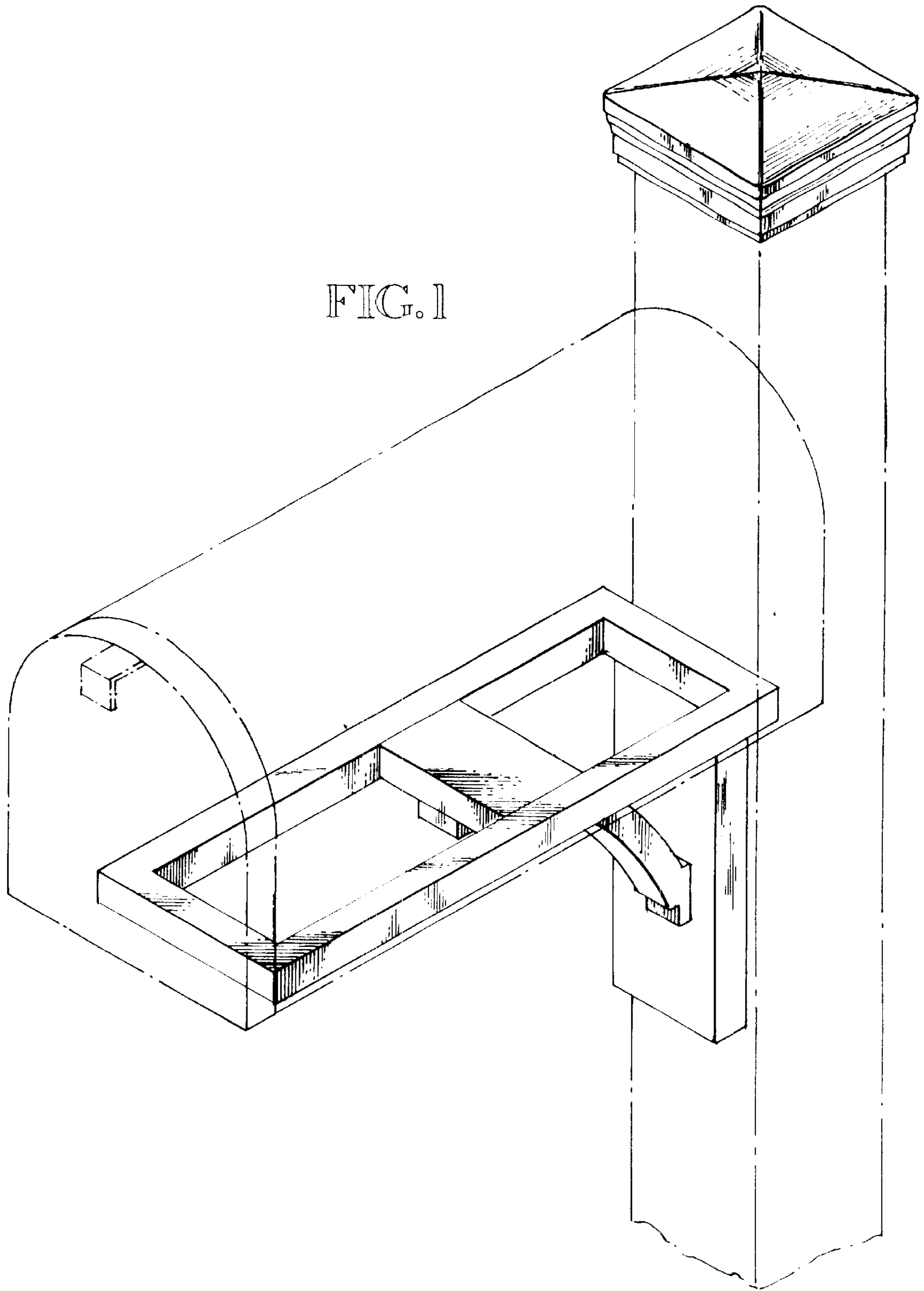


FIG. 2

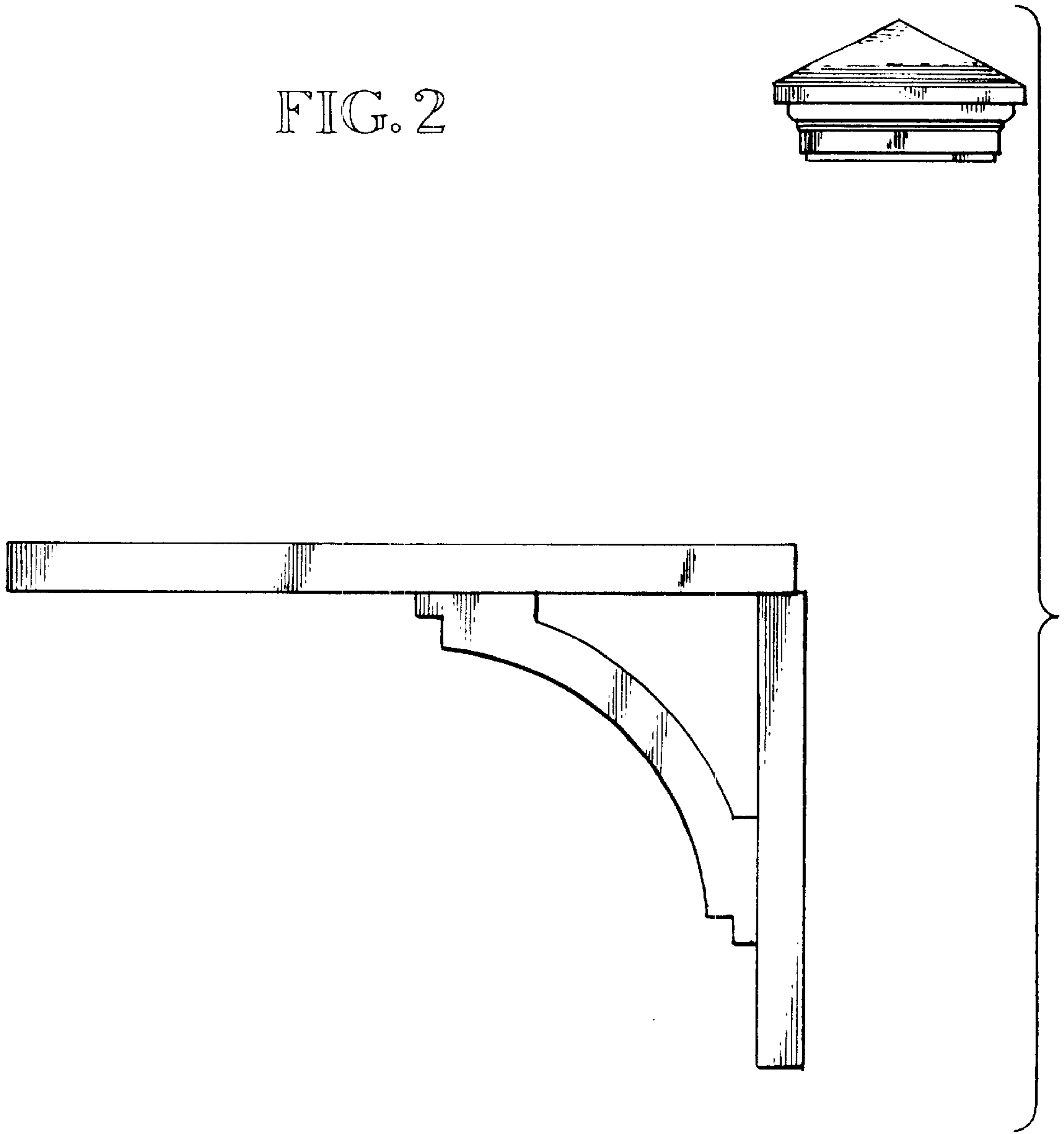


FIG. 3

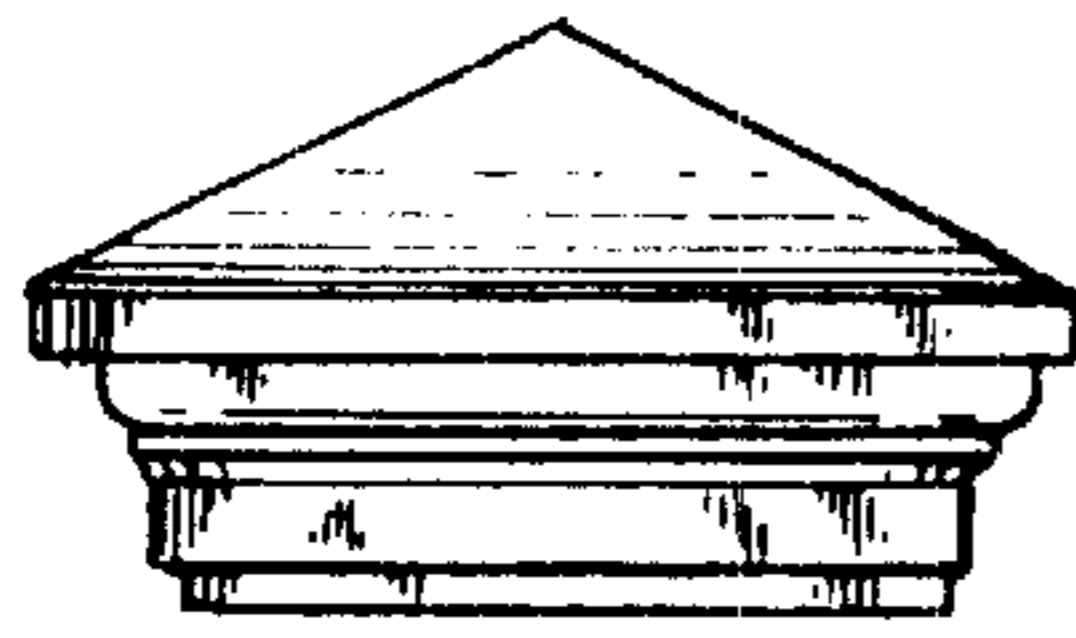


FIG. 4

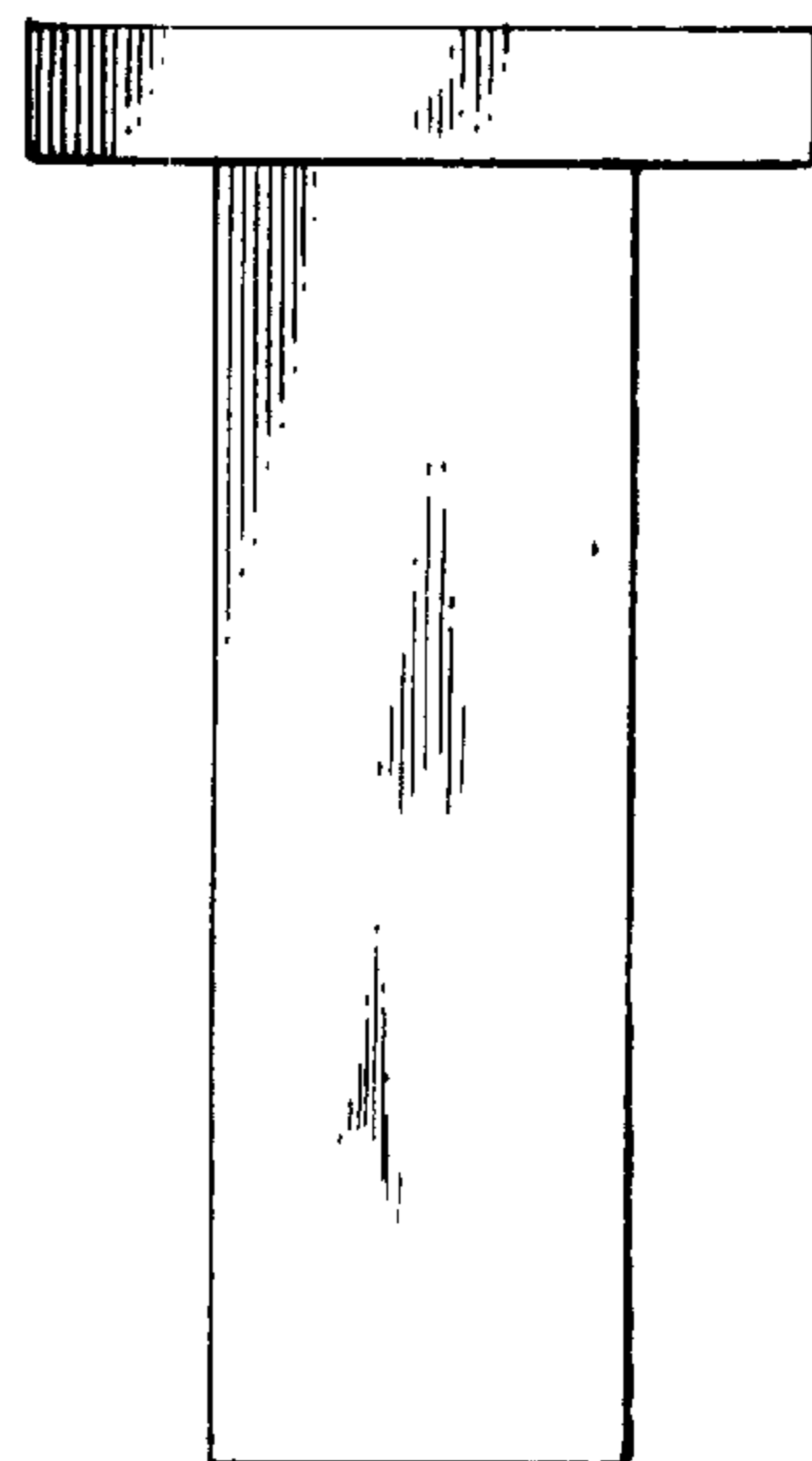
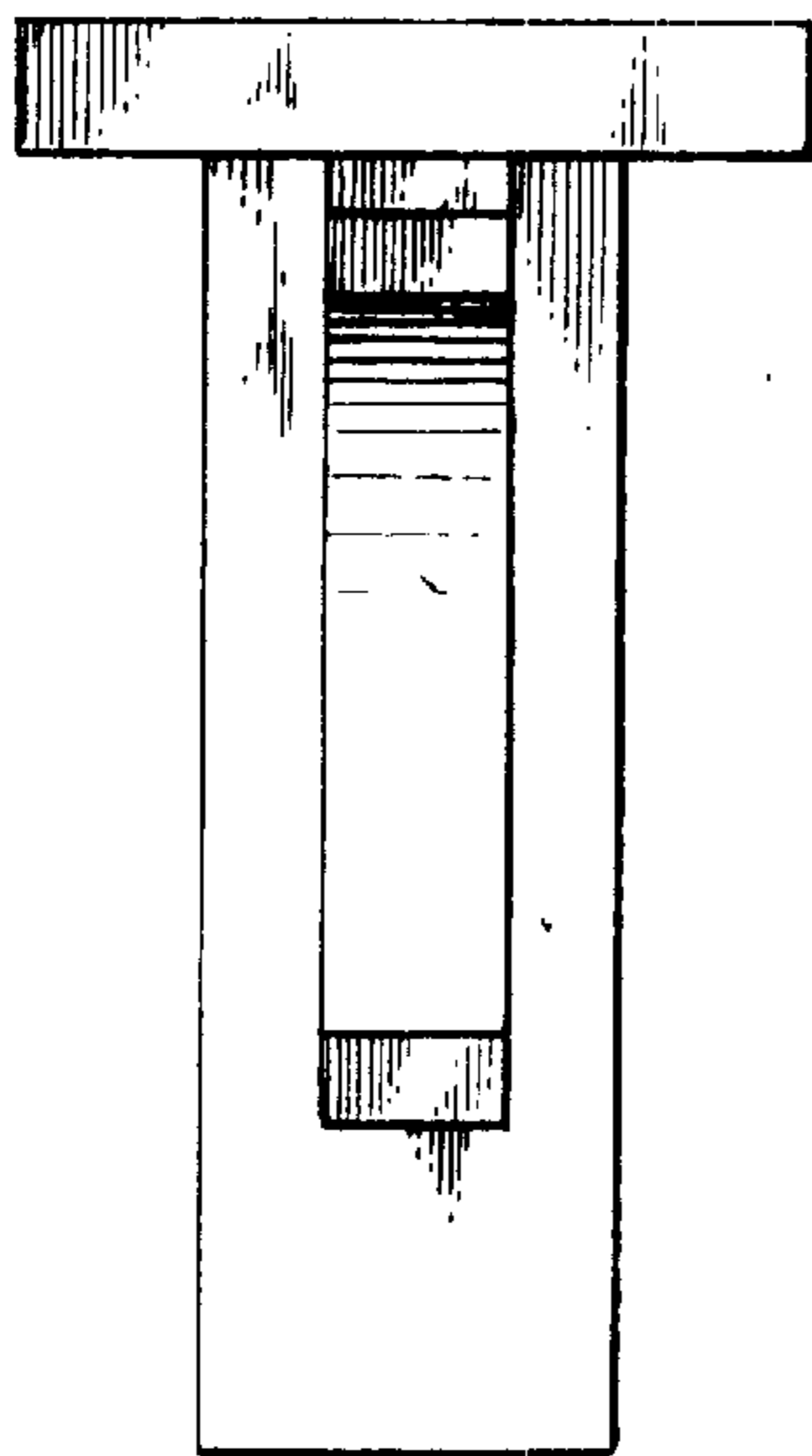
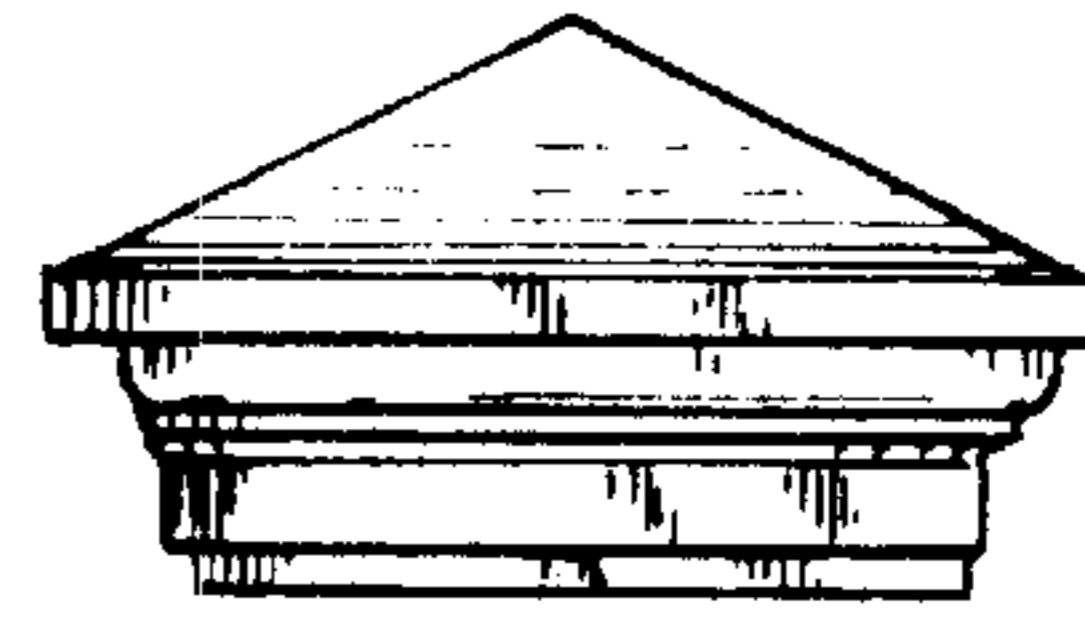


FIG. 5

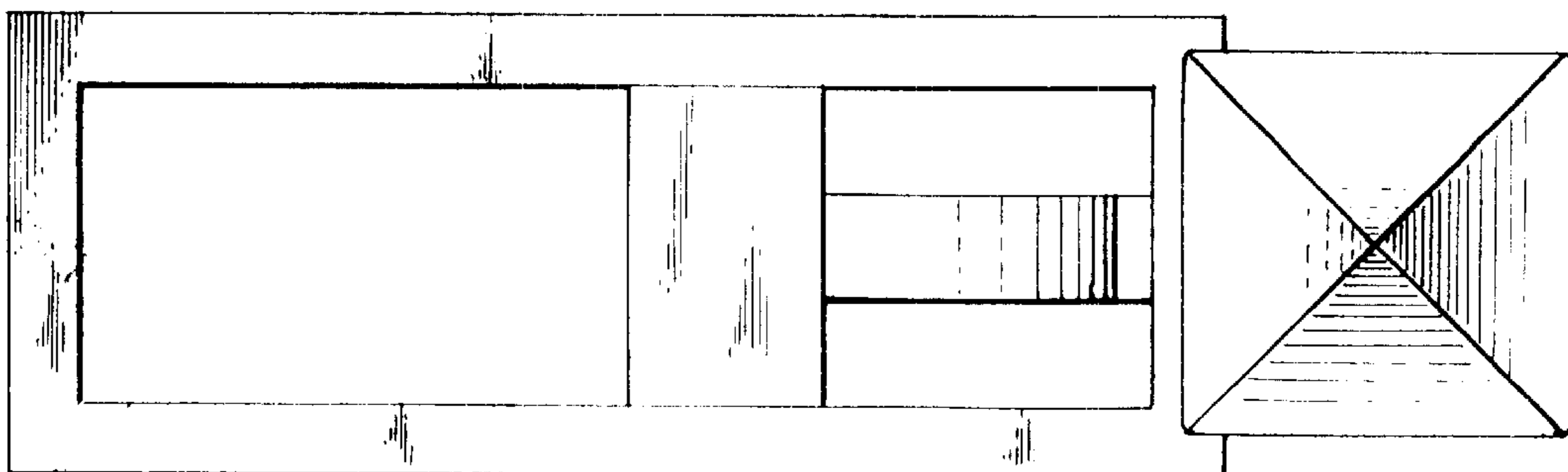


FIG. 6

