



US00D462497S

(12) **United States Design Patent**  
**Talamantes**

(10) **Patent No.:** **US D462,497 S**

(45) **Date of Patent:** **\*\* Sep. 3, 2002**

(54) **MATERIAL LIFTING HARNESS**

(76) **Inventor:** **Robert Talamantes**, 16414 Rushford St., Whittier, CA (US) 90603

(\*\*) **Term:** **14 Years**

(21) **Appl. No.:** **29/139,855**

(22) **Filed:** **Apr. 6, 2001**

(51) **LOC (7) Cl.** ..... **12-05**

(52) **U.S. Cl.** ..... **D34/28**

(58) **Field of Search** ..... D34/37, 28; D29/124; D30/152; D8/14; 294/19.1, 26, 34, 215, 137, 149, 152, 153, 155; 5/510

(56) **References Cited**

**U.S. PATENT DOCUMENTS**

2,399,786	A	*	5/1946	Caton	.....	294/19.1
4,135,655	A	*	1/1979	Brown	.....	294/34
4,463,977	A	*	8/1984	Wyatt	.....	294/26
D276,586	S	*	12/1984	Hanna	.....	D8/14
4,877,110	A	*	10/1989	Wolner	.....	294/34
D315,239	S	*	3/1991	Krause et al.	.....	D34/28
D317,703	S	*	6/1991	Cydrus	.....	D8/14
5,069,495	A	*	12/1991	Mears	.....	294/26
5,127,693	A	*	7/1992	Pruit	.....	294/26
D351,769	S	*	10/1994	Brass et al.	.....	D8/14
5,397,158	A	*	3/1995	Brass et al.	.....	294/26
D366,195	S	*	1/1996	Hammond et al.	.....	D8/14
D366,550	S	*	1/1996	Shapiro	.....	D34/28
5,487,444	A	*	1/1996	Dennington	.....	294/34
D367,142	S	*	2/1996	Platt	.....	D34/37

D385,076	S	*	10/1997	Milbury	.....	D34/10
5,741,037	A	*	4/1998	Ewald	.....	294/149
6,186,566	B1	*	2/2001	Frederickson	.....	294/26

\* cited by examiner

*Primary Examiner*—Cynthia E. Ramirez  
(74) *Attorney, Agent, or Firm*—Norton R. Townsley; Belasco Jacobs & Townsley, LLP

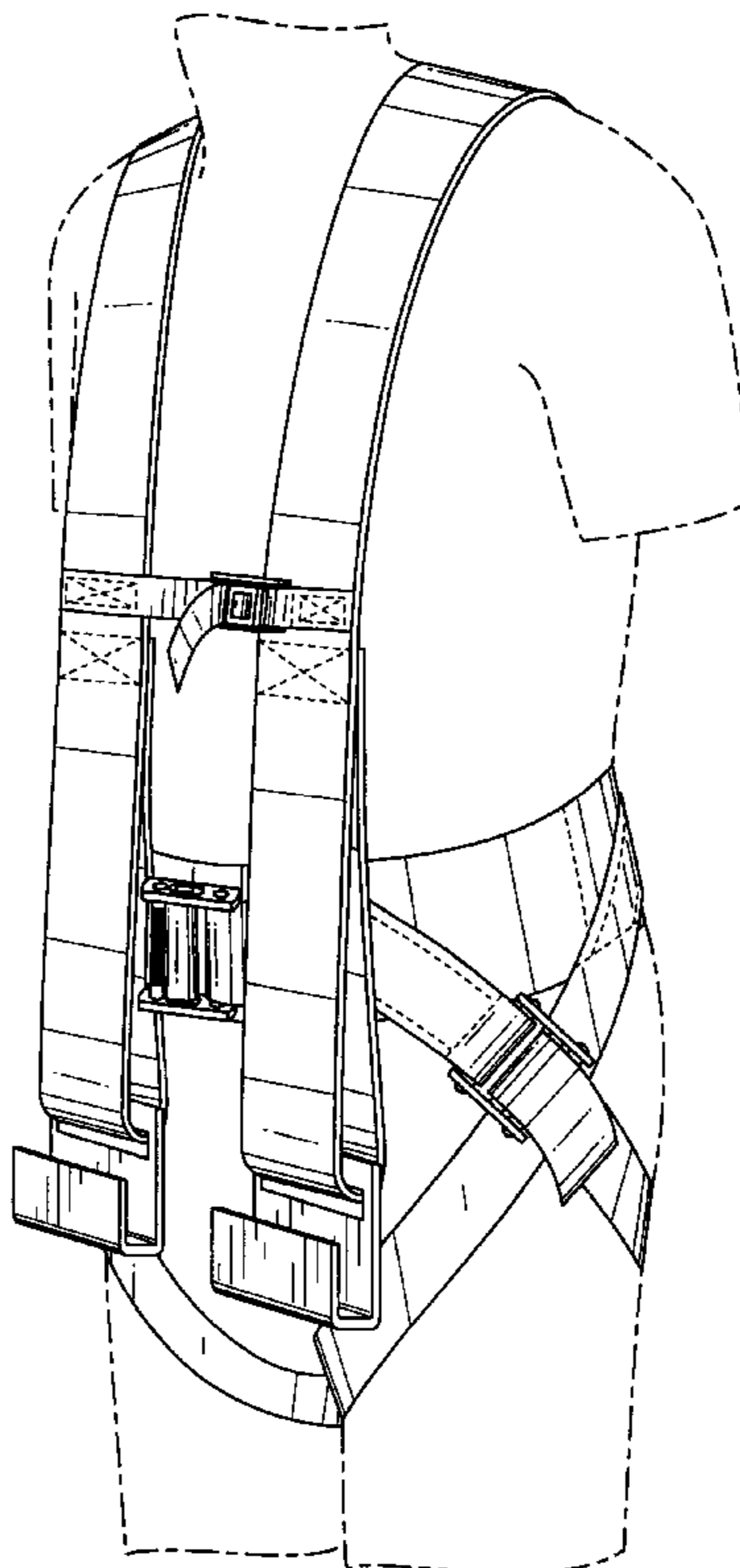
(57) **CLAIM**

I claim the ornamental design for the material lifting harness, as shown and described.

**DESCRIPTION**

FIG. 1 is a front, perspective view of my new material lifting harness, as worn by a user;  
 FIG. 2 is a front elevational view thereof;  
 FIG. 3 is a rear elevational view thereof;  
 FIG. 4 is an elevational view from the left side thereof;  
 FIG. 5 is an elevational view from the right side thereof;  
 FIG. 6 is a view from the top thereof;  
 FIG. 7 is a view from the bottom thereof;  
 FIG. 8 is a view from the left side illustrating the use thereof;  
 FIG. 9 is a front elevational view of an alternate embodiment thereof; and,  
 FIG. 10 is a view from the inside thereof, completely unbuckled and laid out flat.  
 The broken line showing of a person in FIGS. 1 through 9 is for illustrative purposes only and form no part of the claimed design. The dotted lines on some areas of the harness in FIGS. 1 through 10 represent stitching.

**1 Claim, 9 Drawing Sheets**



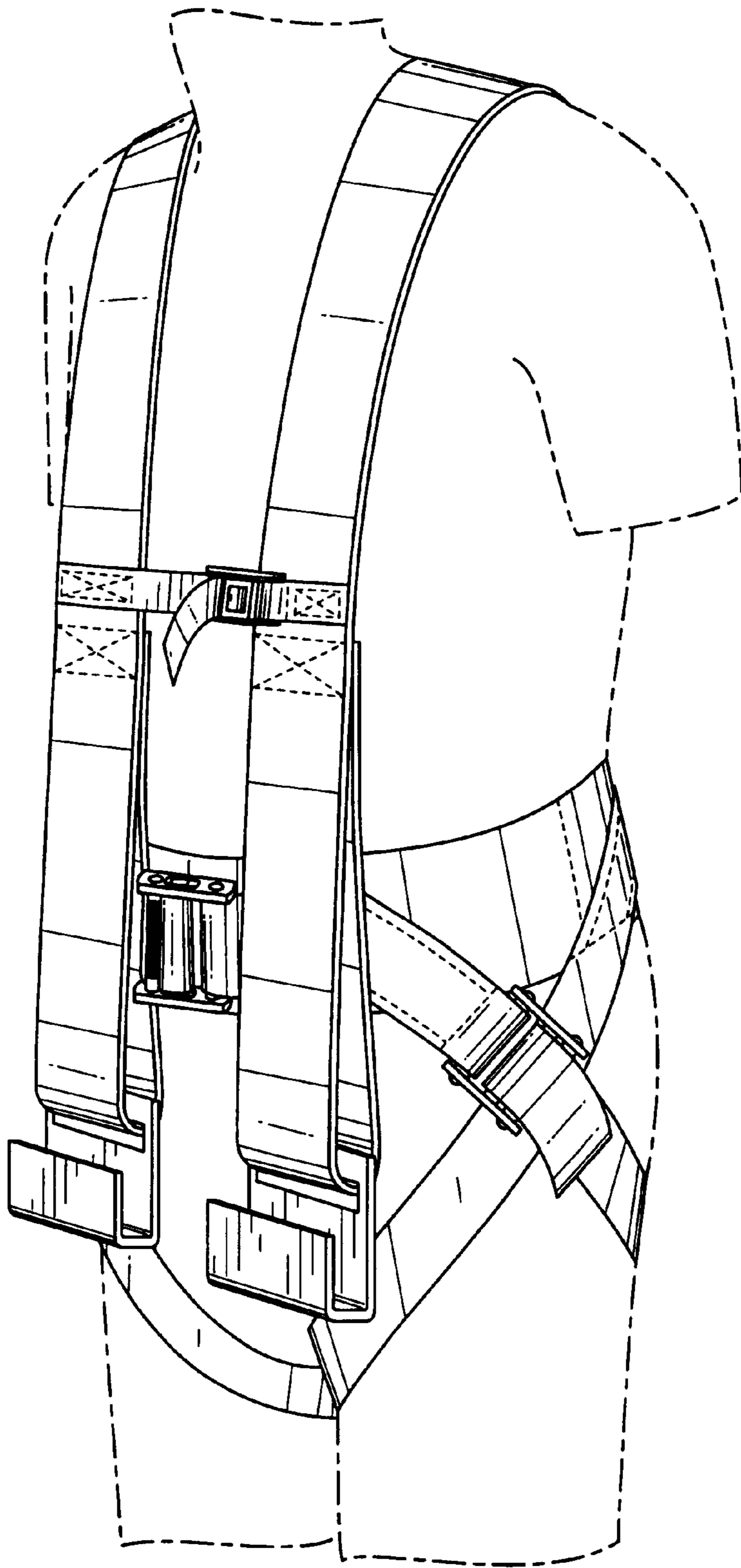


FIG. 1

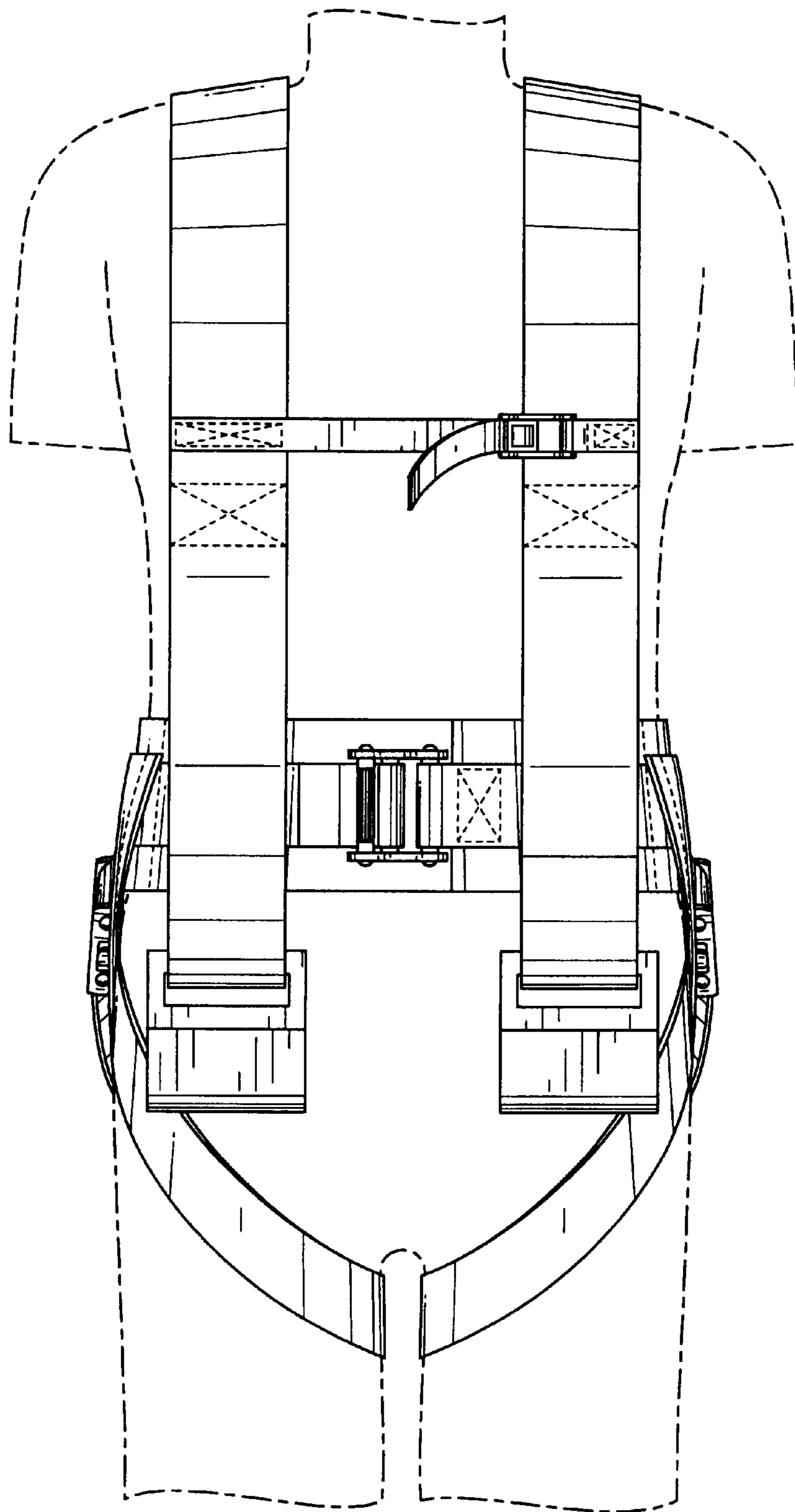


FIG. 2

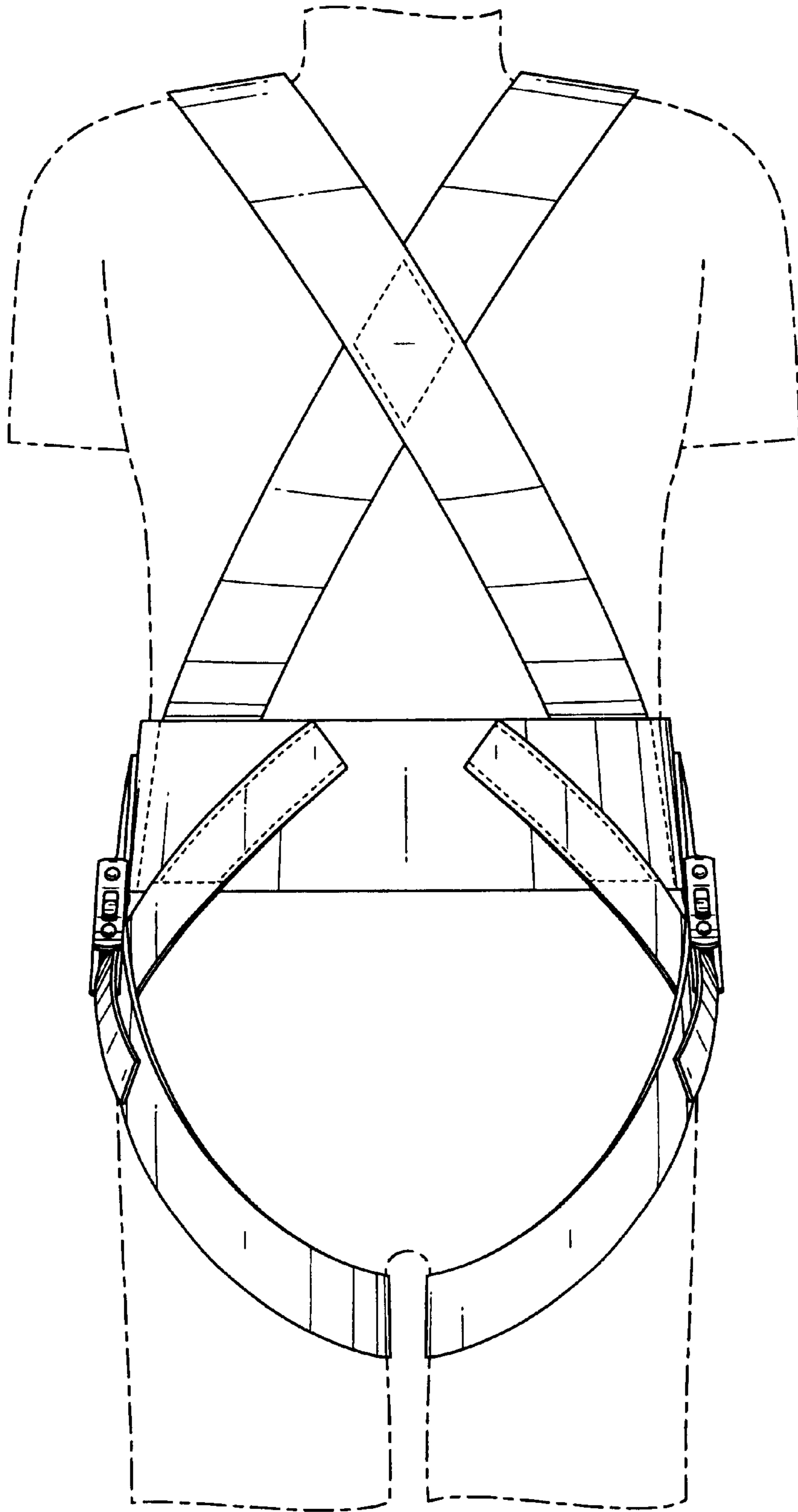


FIG. 3

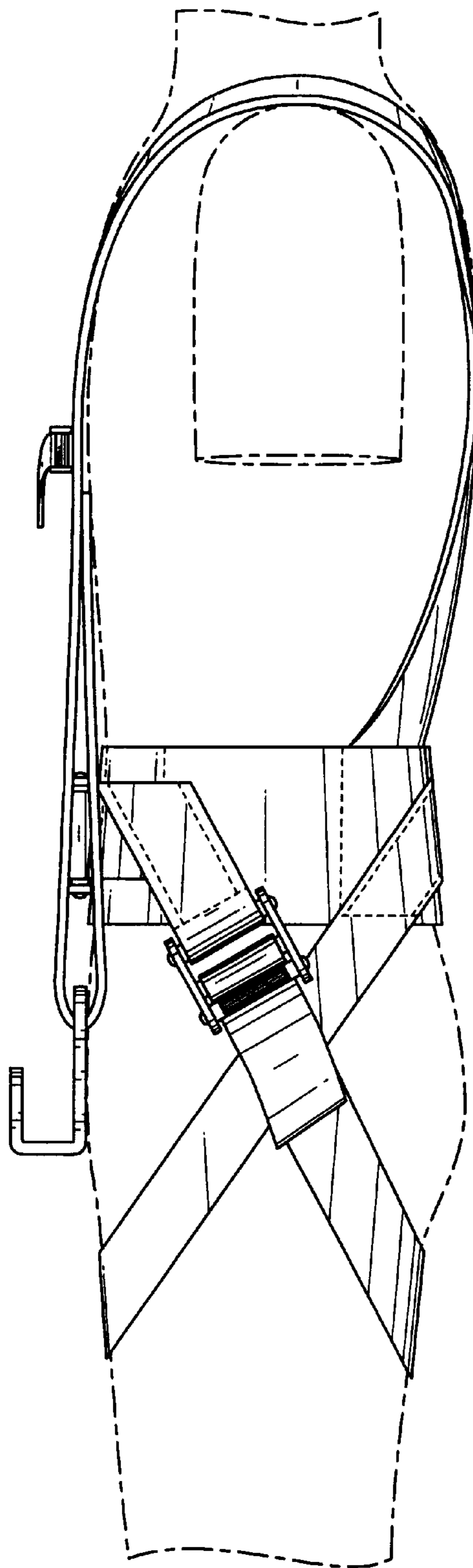


FIG. 4

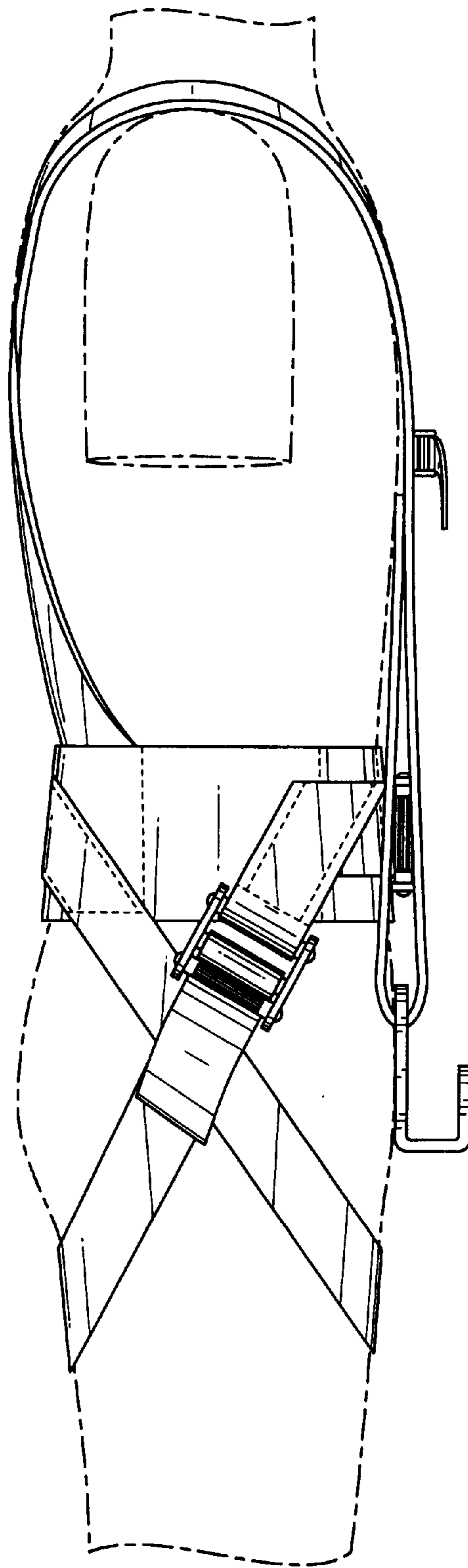


FIG. 5

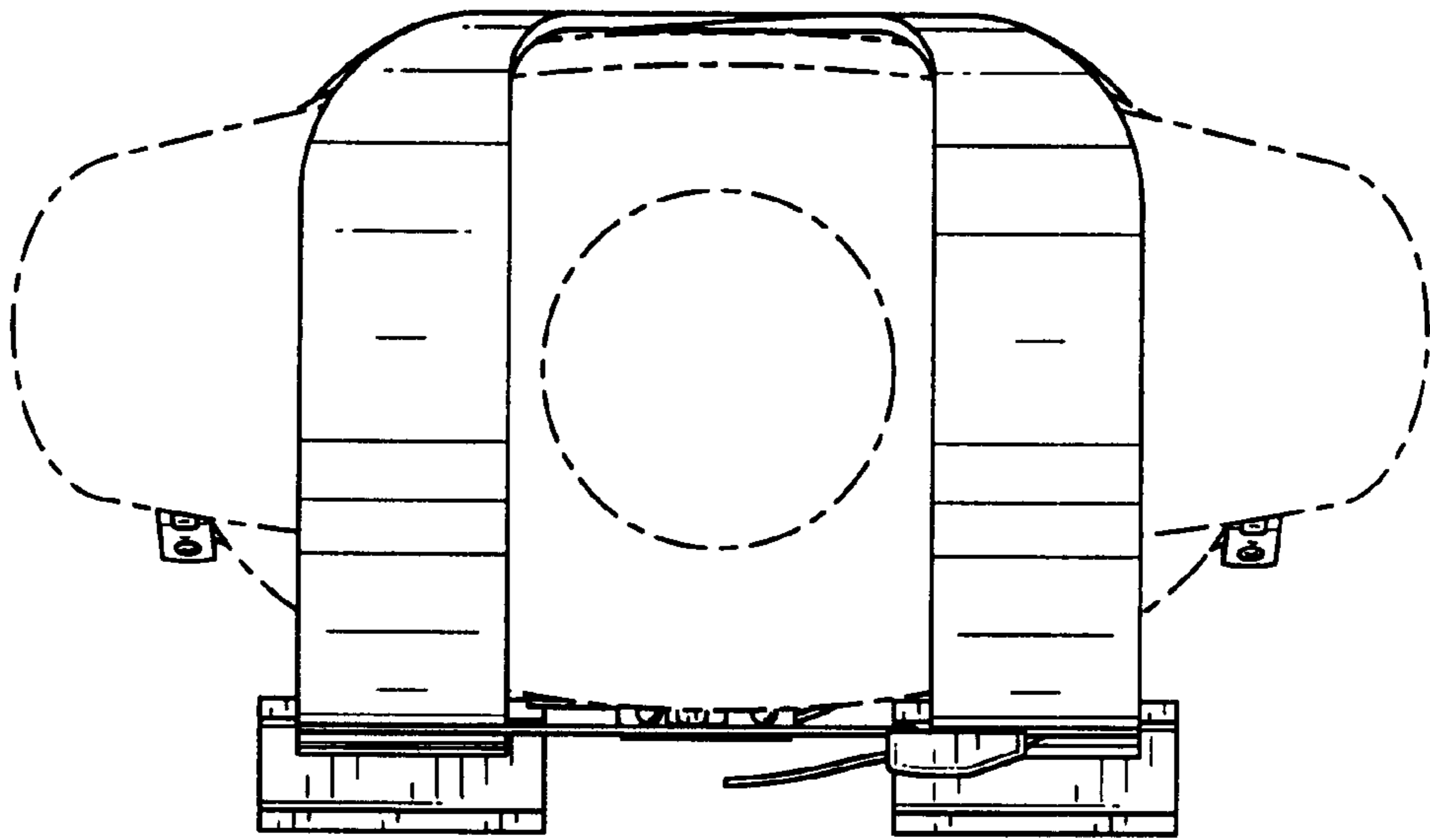


FIG. 6

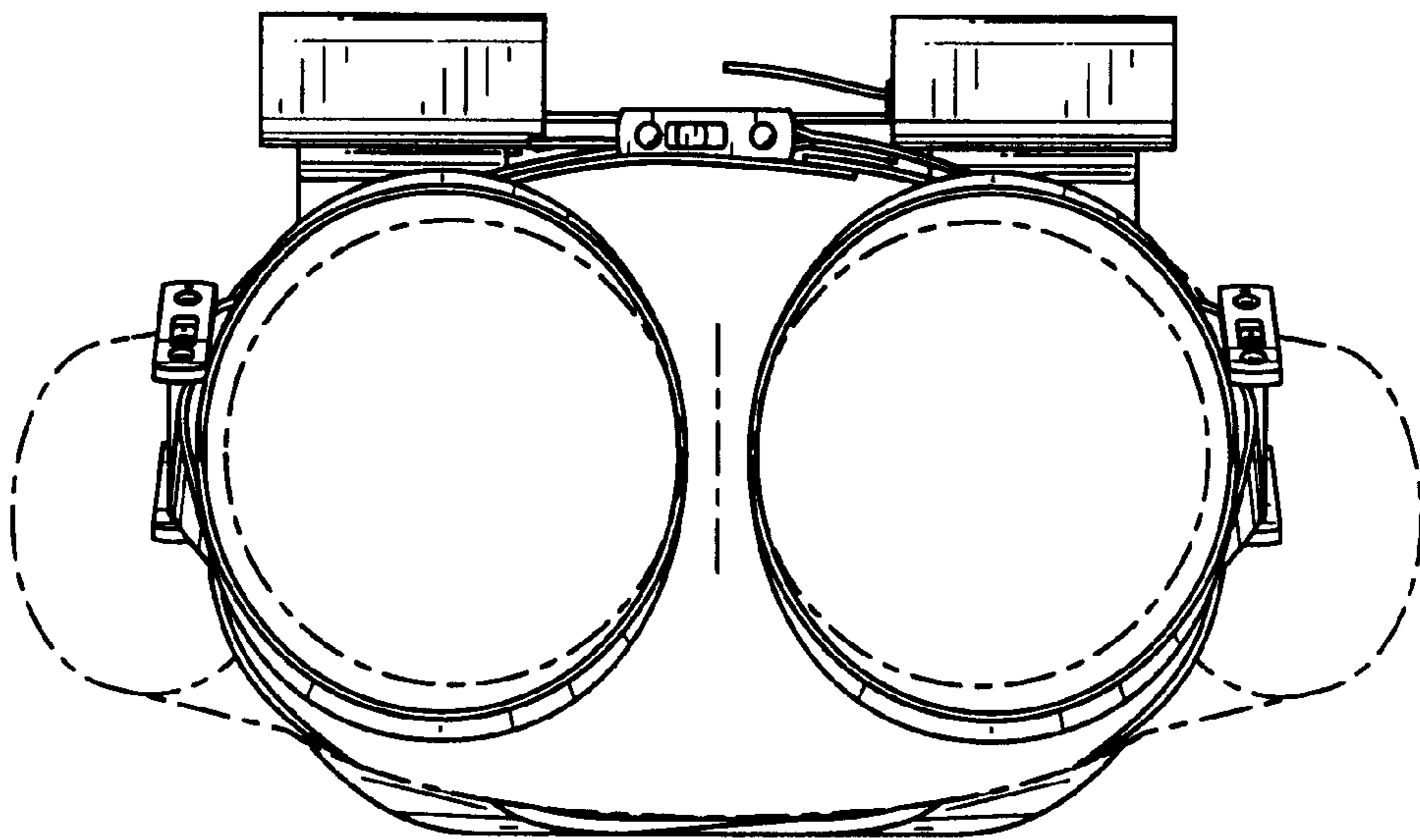


FIG. 7

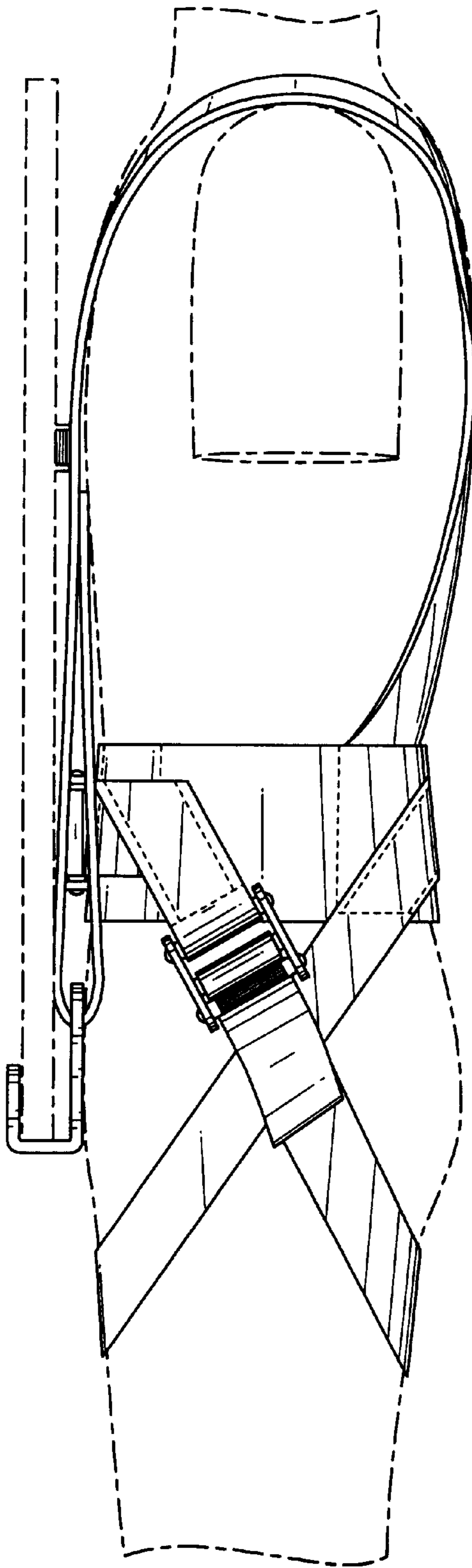


FIG. 8



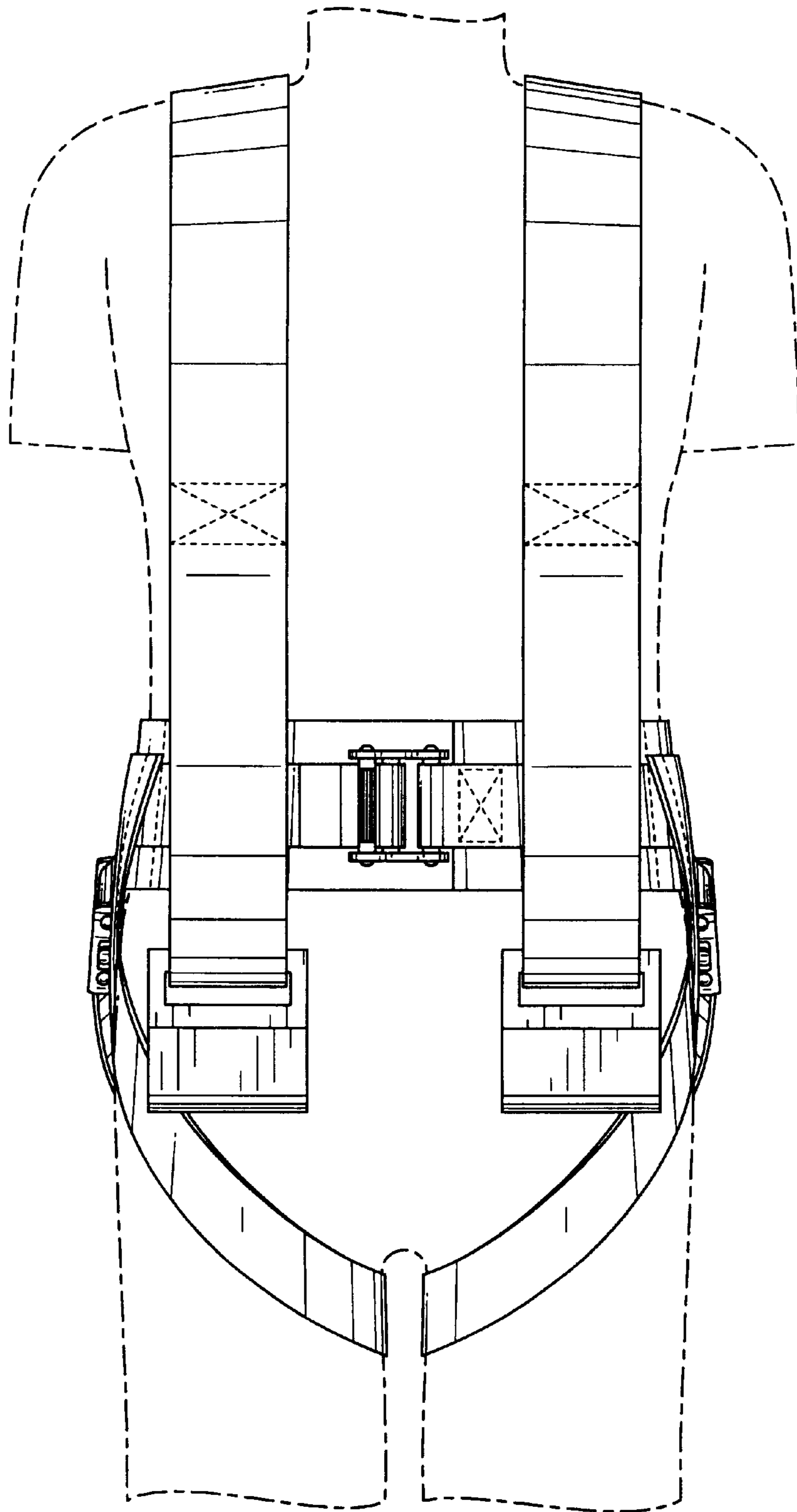


FIG. 9

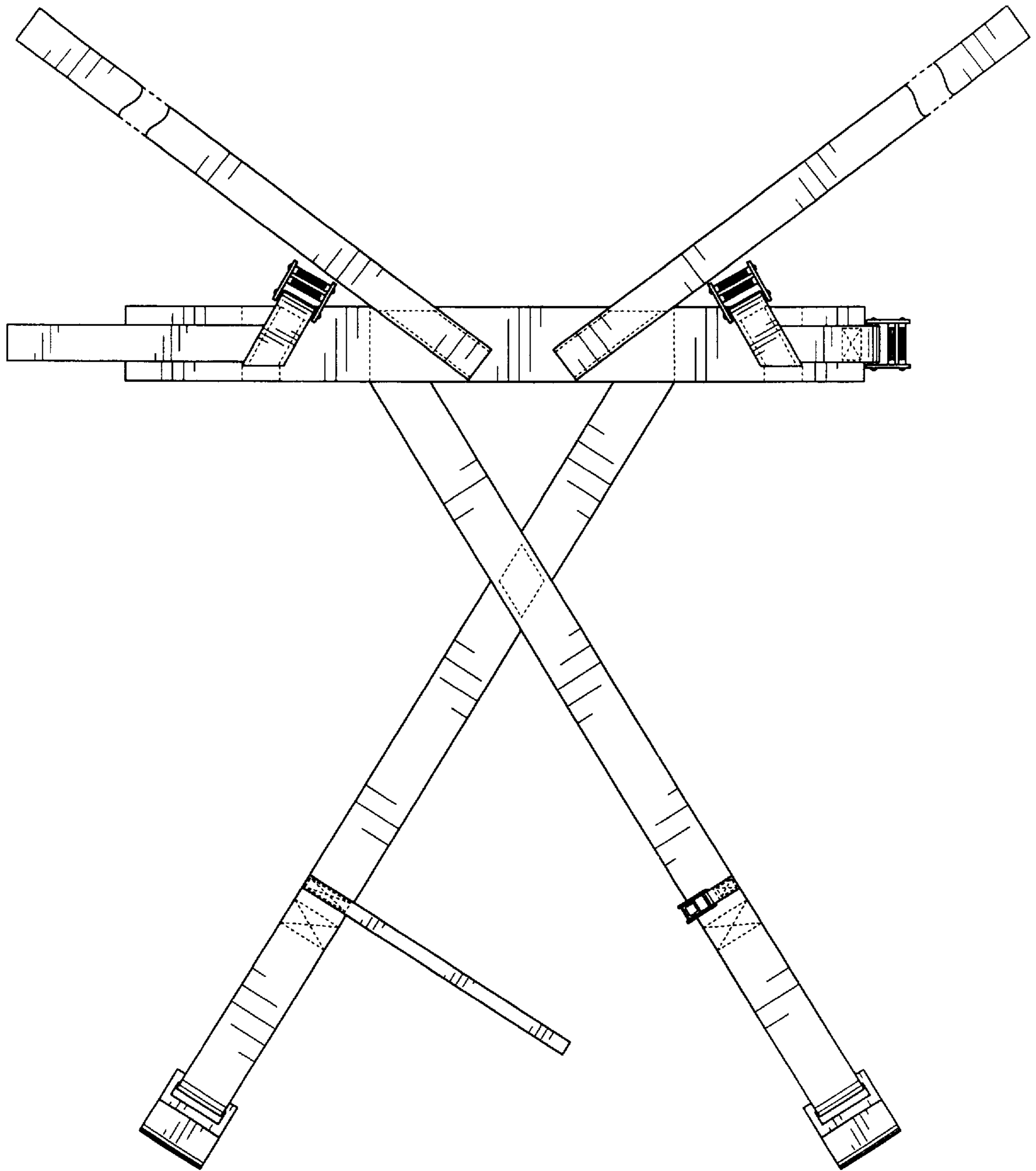


FIG. 10