



US00D462496S

(12) **United States Design Patent**
Koppes et al.

(10) **Patent No.:** **US D462,496 S**

(45) **Date of Patent:** **** Sep. 3, 2002**

(54) **HANDLE FOR A WHEELED DEVICE**

(75) Inventors: **Dana J. Koppes**, Columbus; **Eric J. Fickas**, Powell, both of OH (US); **Vincent A. Gioia**, Westmont, IL (US); **Rodger Hays**, Columbus, OH (US); **Joni Hill**, Bartlett, IL (US); **Paul P. Kolada**, Bexley; **Thomas P. Martini**, Gahanna, both of OH (US); **Jon M. Provencher**, Geneva, IL (US); **Kevin J. Vititoe**, Columbus, OH (US)

(73) Assignee: **Ohio Steel Industries, Inc.**, Columbus, OH (US)

(**) Term: **14 Years**

(21) Appl. No.: **29/127,688**

(22) Filed: **Aug. 10, 2000**

(51) **LOC (7) Cl.** **12-02**

(52) **U.S. Cl.** **D34/27**

(58) **Field of Search** D34/12-27; 74/551.6, 74/551.9, 551.3; D8/10, DIG. 6; D12/178, 133; 294/57; 16/426, 422, 430

(56) **References Cited**

U.S. PATENT DOCUMENTS

2,429,034 A	10/1947	Smith et al.	280/41
D148,128 S	12/1947	Brottman	D14/3
2,443,236 A	6/1948	Gallagher	280/50
2,615,726 A	10/1952	Brottman	280/47
2,683,480 A	7/1954	Kosman	155/22

2,769,482 A	11/1956	Carlson	155/10
3,048,420 A	8/1962	Umanoff	280/62
D196,836 S	11/1963	Berger	D14/3
3,497,234 A	2/1970	Schray	280/33.99
3,612,603 A	10/1971	Snyder et al.	297/130
3,726,536 A	4/1973	Ariño	280/36 C
3,774,929 A	11/1973	Stanley	280/41 R
4,555,123 A	11/1985	Rehrig	280/160
4,685,688 A	8/1987	Edwards	280/30
4,763,919 A	8/1988	Nakao et al.	280/644
4,765,644 A	8/1988	Bell	280/641
4,923,208 A	5/1990	Takahashi et al.	280/642

(List continued on next page.)

Primary Examiner—Kay H. Chin

(74) *Attorney, Agent, or Firm*—Marshall, Gerstein & Borun

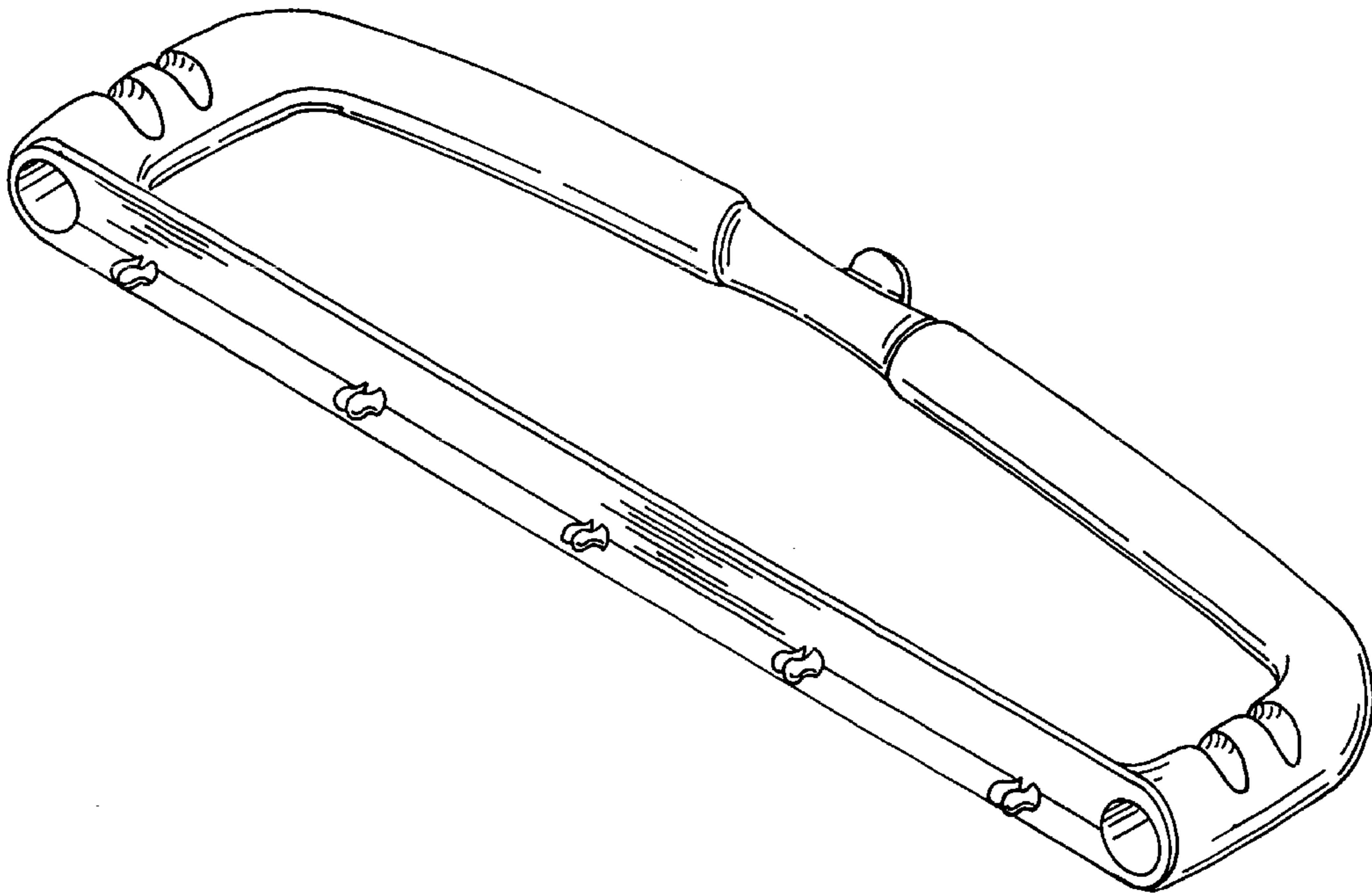
(57) **CLAIM**

The ornamental design for a handle for a wheeled device, as shown and described.

DESCRIPTION

FIG. 1 is a perspective view of a handle for a wheeled device in accordance with the teachings of the present invention; FIG. 2 is a front side elevational view thereof; FIG. 3 is a rear side elevational view thereof; FIG. 4 is a top plan view thereof; FIG. 5 is a left side elevational view thereof, the right side elevational view being the mirror image of that shown; and, FIG. 6 is a perspective view of the device of FIGS. 1 through 5 shown attached to a wheeled device shown in broken lines and which forms no part of the claimed design.

1 Claim, 6 Drawing Sheets



US D462,496 S

Page 2

U.S. PATENT DOCUMENTS

4,953,887 A	9/1990	Takahashi et al.	280/647	5,494,308 A	2/1996	Southerland	280/33.992
4,984,813 A	1/1991	Takahashi et al.	280/30	5,544,904 A	8/1996	Maher	280/47.35
5,018,754 A	5/1991	Cheng	280/47.4	5,553,876 A	9/1996	Trubiano	280/33.991
D318,550 S	7/1991	Stefano	D34/21	5,553,877 A	9/1996	Huang	280/33.997
5,125,674 A	6/1992	Manuszak	280/30	D375,601 S	* 11/1996	Myers	D34/27
D331,652 S	* 12/1992	Wu	D34/27	5,595,394 A	1/1997	Adamson	280/33.993
5,203,578 A	4/1993	Davidson et al.	280/33.991	D386,873 S	11/1997	Langlois	
5,290,049 A	3/1994	Crisp et al.	280/30			D'Estaintot et al.	D34/21
5,354,079 A	10/1994	Hettenbach	280/33.991	5,722,594 A	3/1998	Farr et al.	280/643
5,417,449 A	5/1995	Shamie	280/642	5,887,888 A	3/1999	Tseng	280/644
D360,392 S	7/1995	Lewandowski	D12/129	5,961,133 A	10/1999	Perry	280/33.993
D361,190 S	* 8/1995	Gingras et al.	D34/27	5,988,670 A	11/1999	Song et al.	280/648
D363,589 S	10/1995	Lafleur et al.	D34/21	6,003,894 A	12/1999	Maher	280/639
D366,546 S	1/1996	Schaub et al.	D34/20	D449,145 S	* 10/2001	Wu	D34/27

* cited by examiner

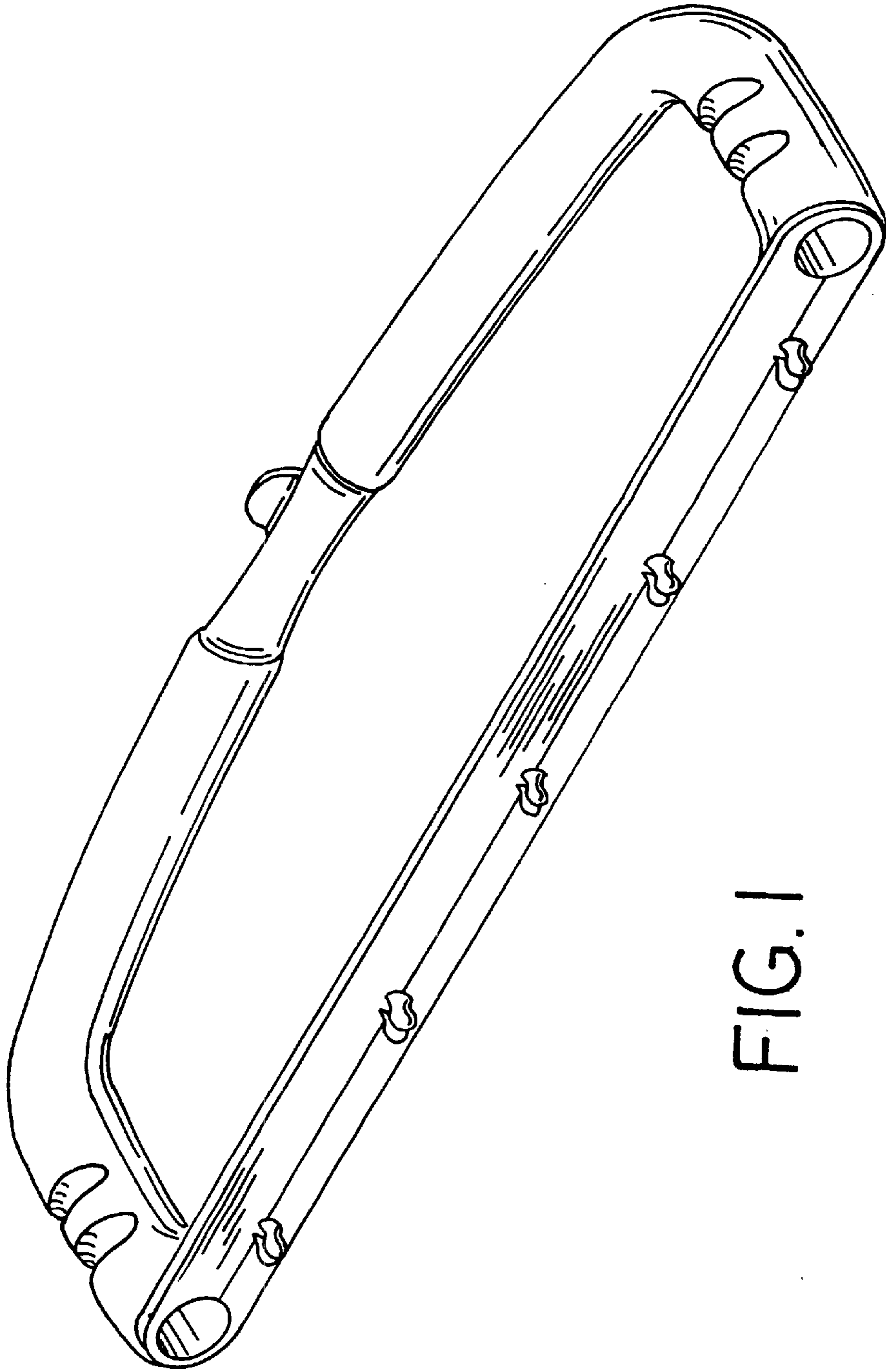


FIG. 1

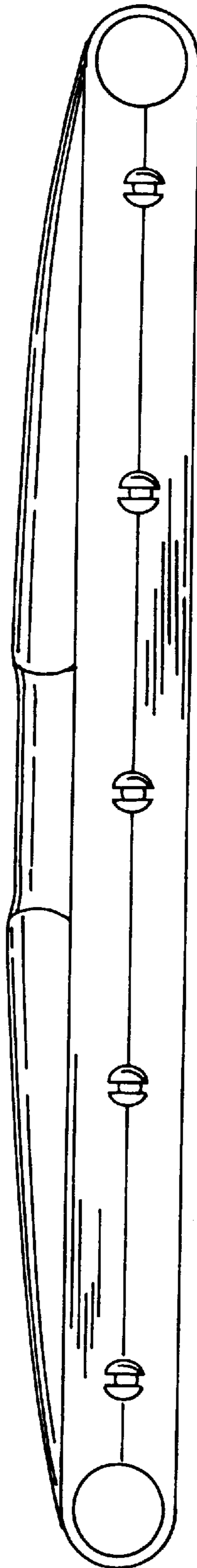


FIG. 2

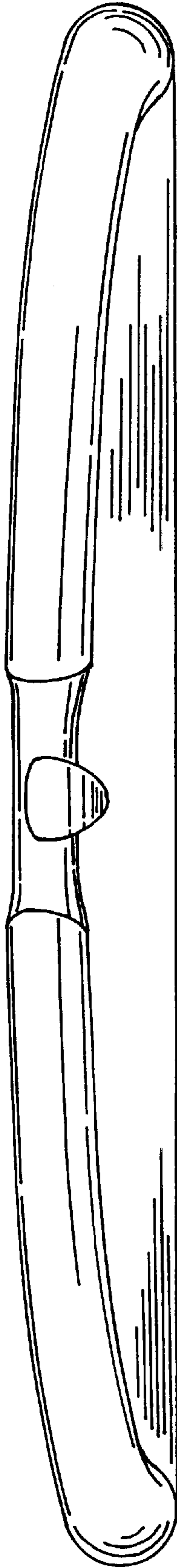


FIG. 3

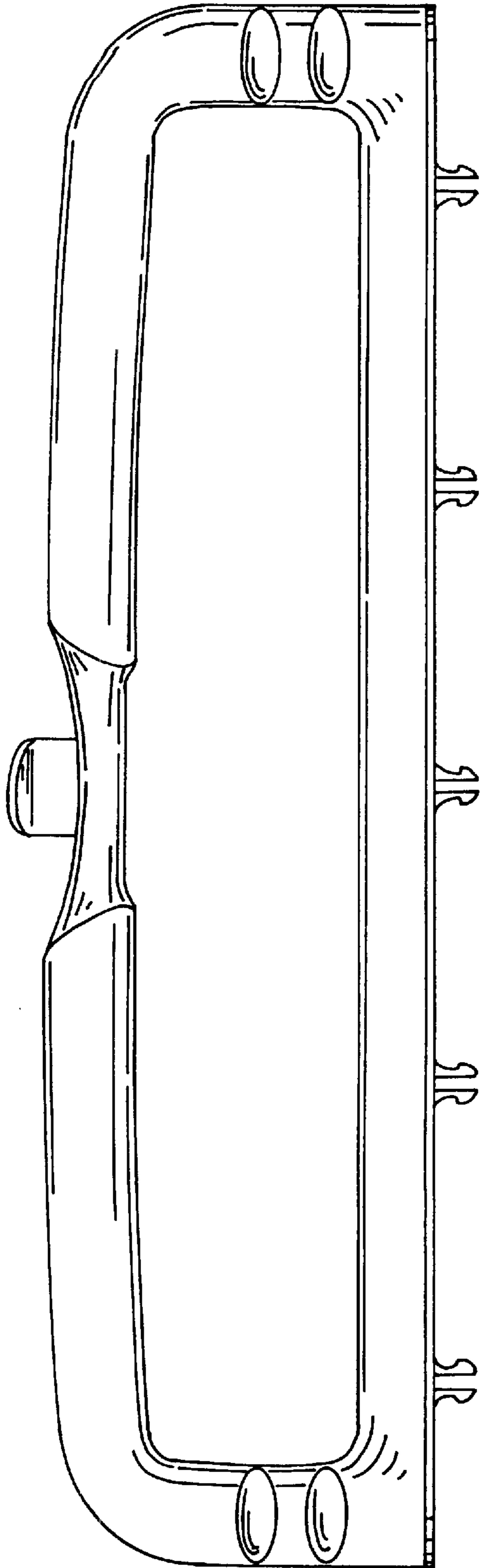


FIG.4

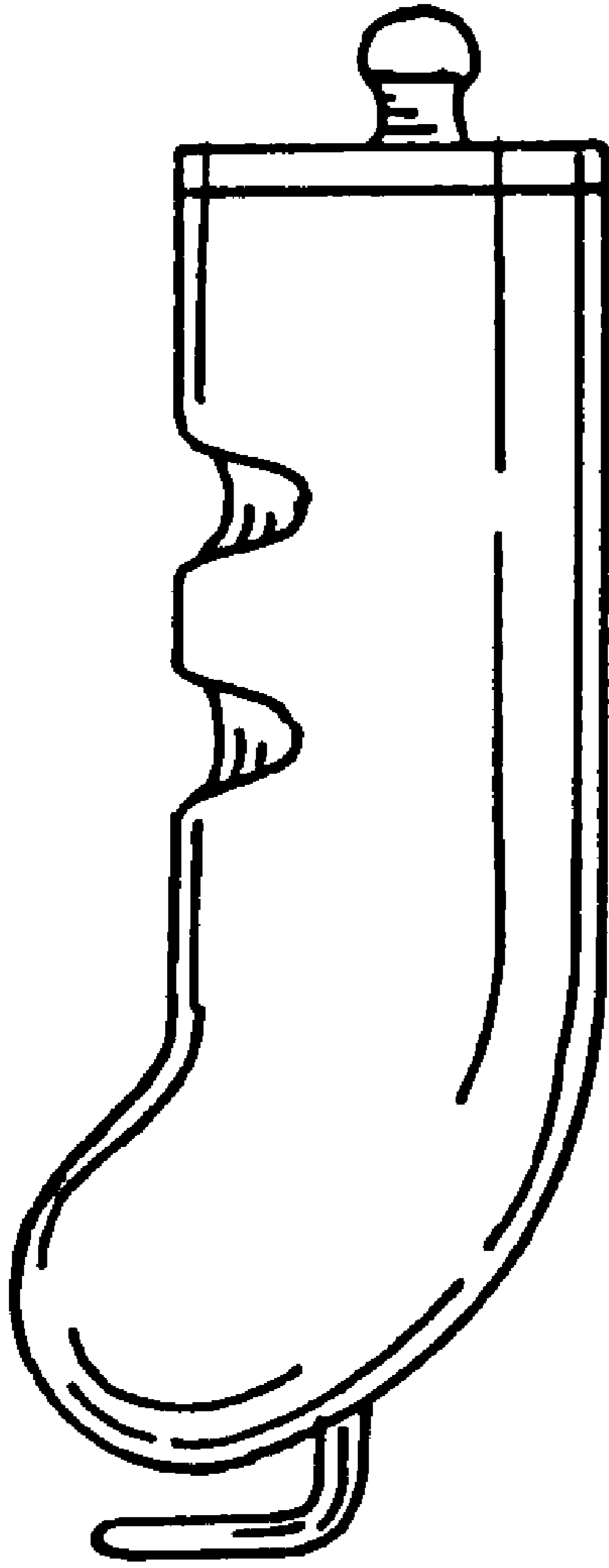


FIG. 5

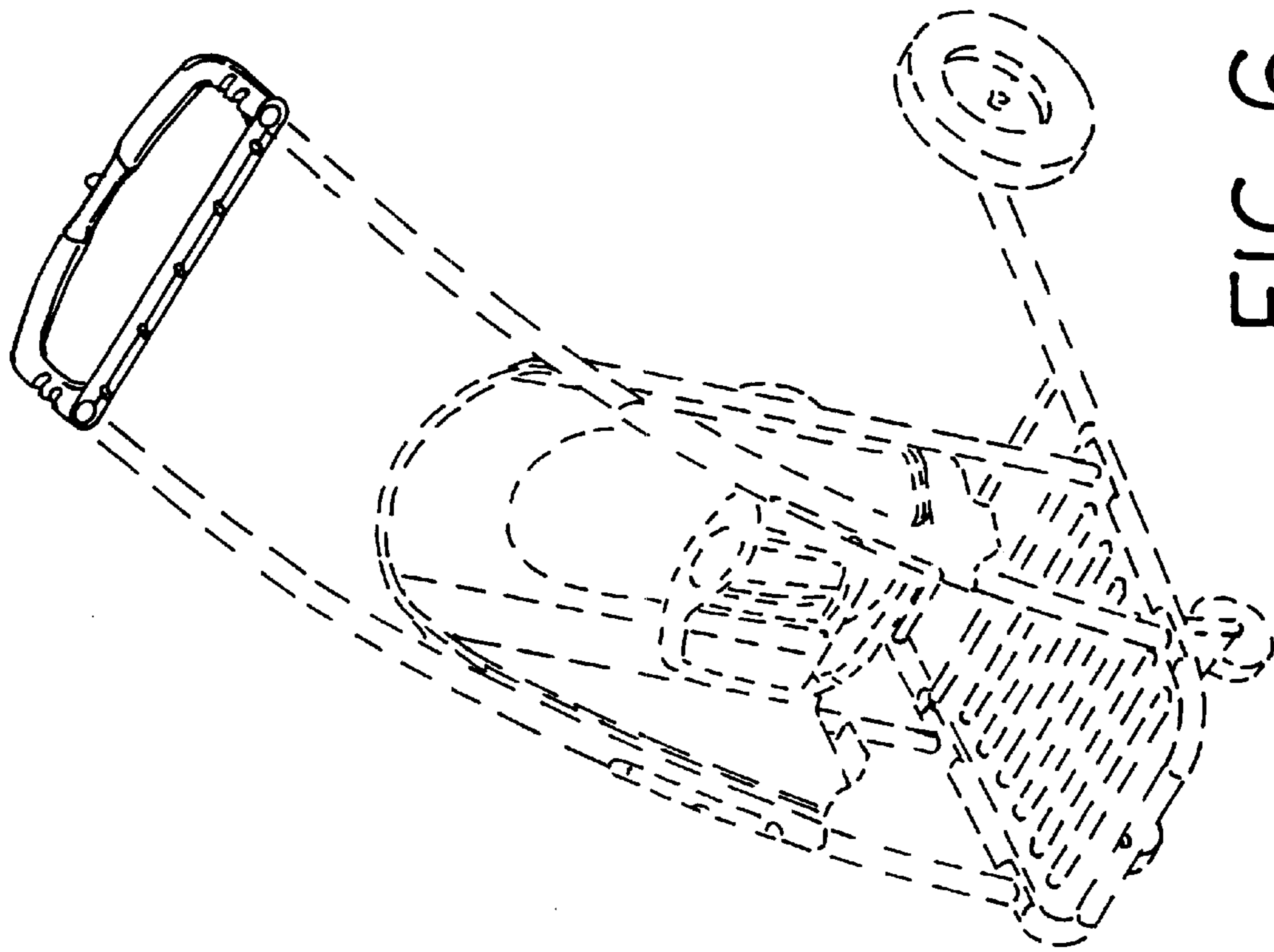


FIG. 6