



US00D462495S

(12) **United States Design Patent**
Burford et al.

(10) **Patent No.:** **US D462,495 S**

(45) **Date of Patent:** **** Sep. 3, 2002**

(54) **AIR COMPRESSOR WORK TABLE**

(75) Inventors: **Timothy W. Burford**, New Ulm, MN (US); **Jeffery T. Samson**, Boulder, CO (US); **Arthur Y. Wu**, Westminster, CO (US); **Dennis A. Bridges**, Arvada, CO (US)

(73) Assignee: **Coleman Powermate, Inc.**, Kearney, NE (US)

(**) Term: **14 Years**

(21) Appl. No.: **29/145,039**

(22) Filed: **Jul. 13, 2001**

(51) **LOC (7) Cl.** **12-02**

(52) **U.S. Cl.** **D34/19; D34/20**

(58) **Field of Search** D34/12-27; D15/7-9; 417/234; 280/79.3, 79.2, 79.11, 47.19, 47.34, 47.35; 108/59; 312/250; D6/436

(56) **References Cited**

U.S. PATENT DOCUMENTS

1,712,851 A * 5/1929 Sovatkin 417/234

D205,523 S * 8/1966 Doman D34/19
3,478,958 A * 11/1969 Hinck, III 417/234
D220,095 S * 3/1971 Salsgiver D34/19
D332,613 S * 1/1993 Keller D15/9

* cited by examiner

Primary Examiner—Kay H. Chin

(74) *Attorney, Agent, or Firm*—Leydig, Voit & Mayer, Ltd.

(57) **CLAIM**

The ornamental design for an air compressor work table, as shown.

DESCRIPTION

FIG. 1 is a top, left, perspective view of an air compressor work table showing our new design;
FIG. 2 is a front view thereof;
FIG. 3 is a rear view thereof;
FIG. 4 is a left side view thereof;
FIG. 5 is a right side view thereof;
FIG. 6 is a top view thereof;
FIG. 7 is a bottom view thereof; and,
FIG. 8 is an alternate embodiment of the rear view thereof.

1 Claim, 4 Drawing Sheets

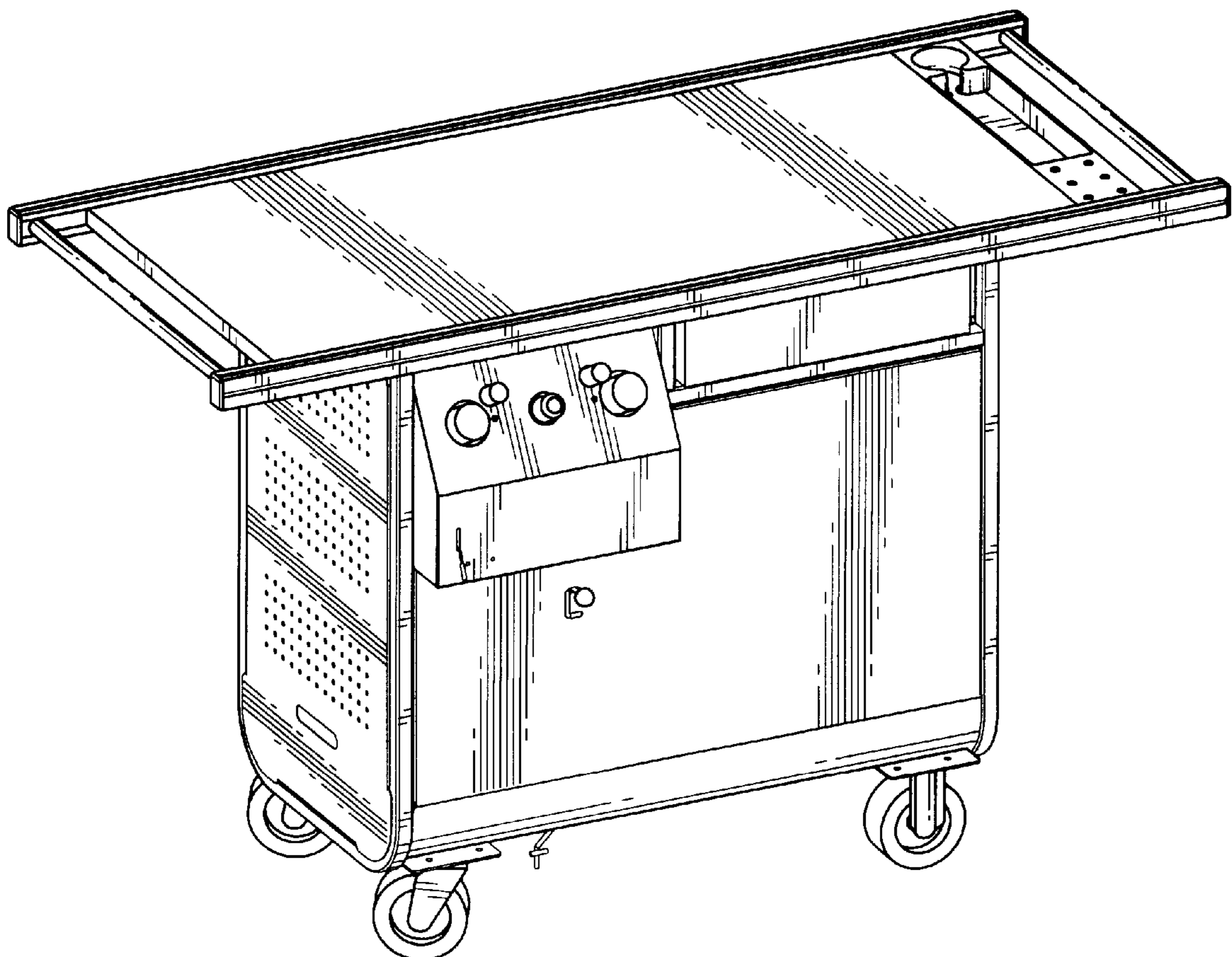


FIG. 1

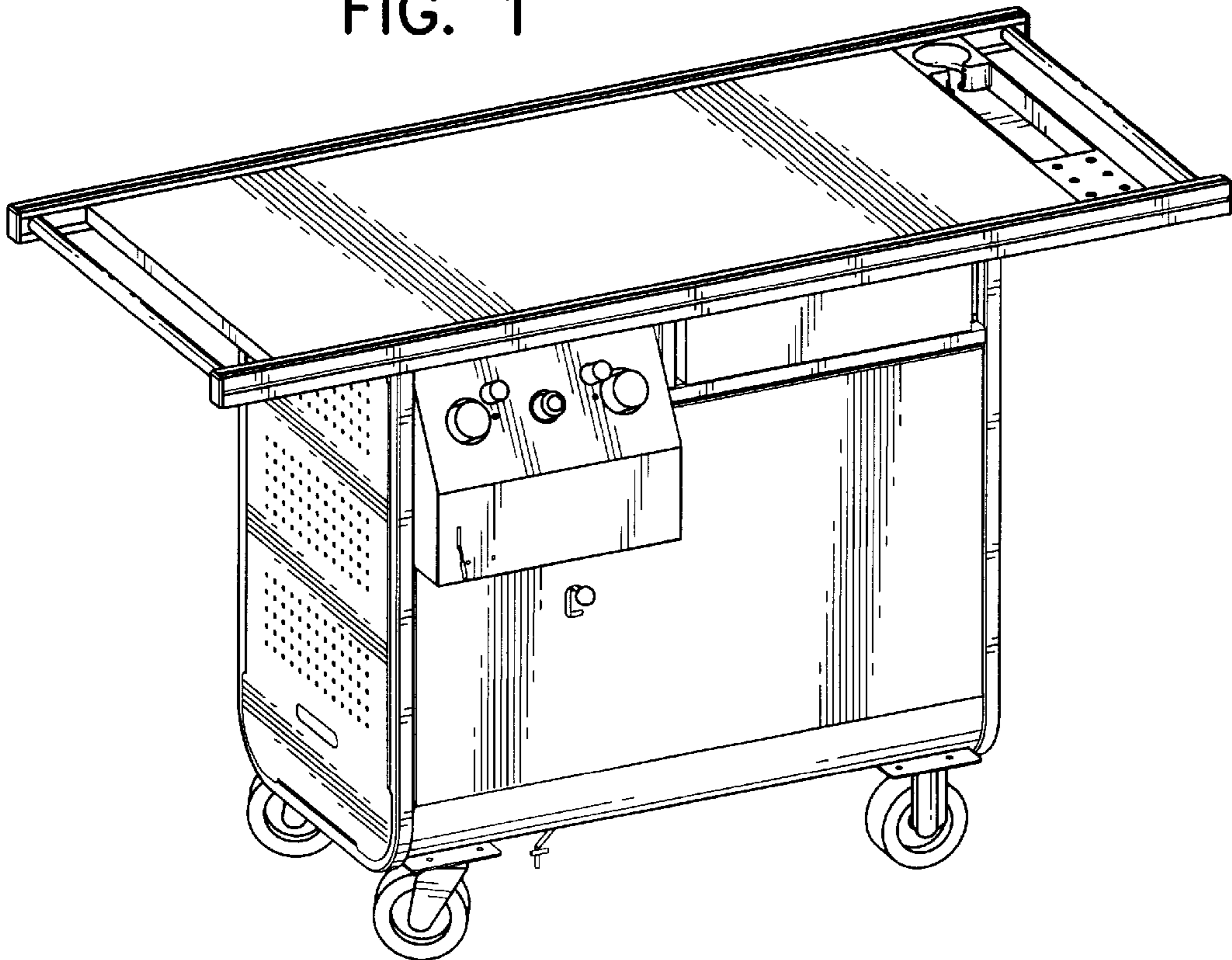


FIG. 2

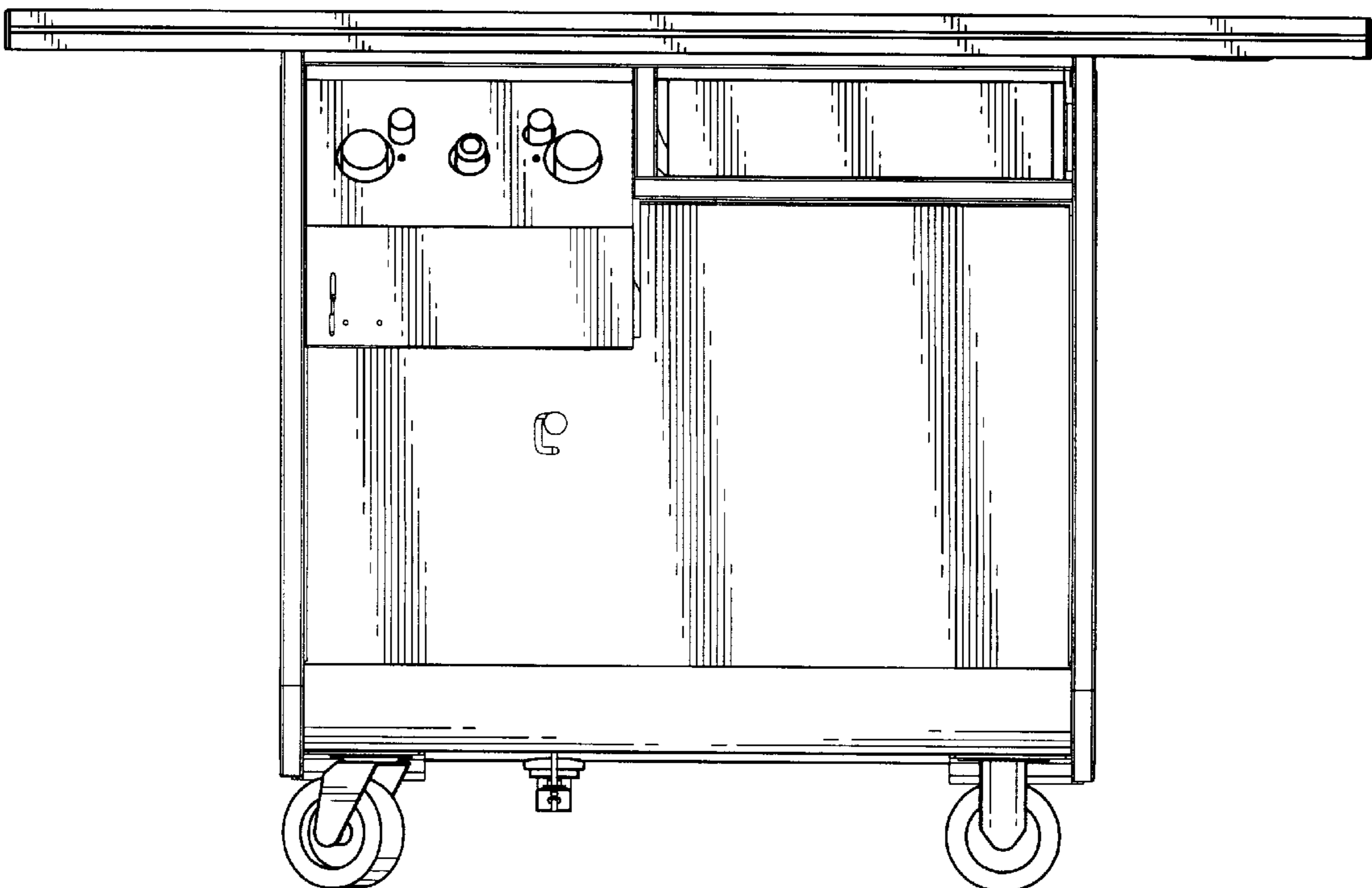


FIG. 3

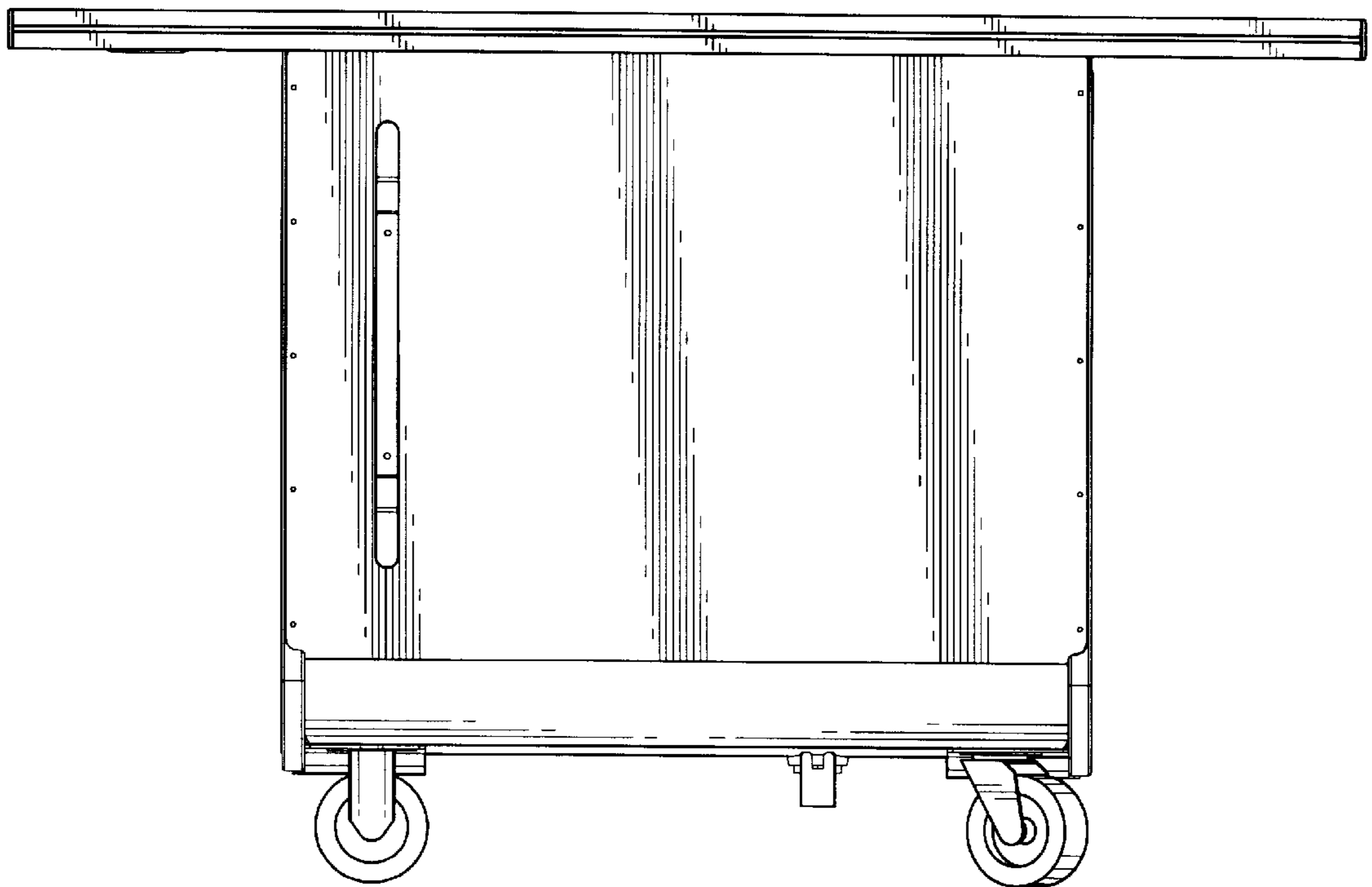


FIG. 4

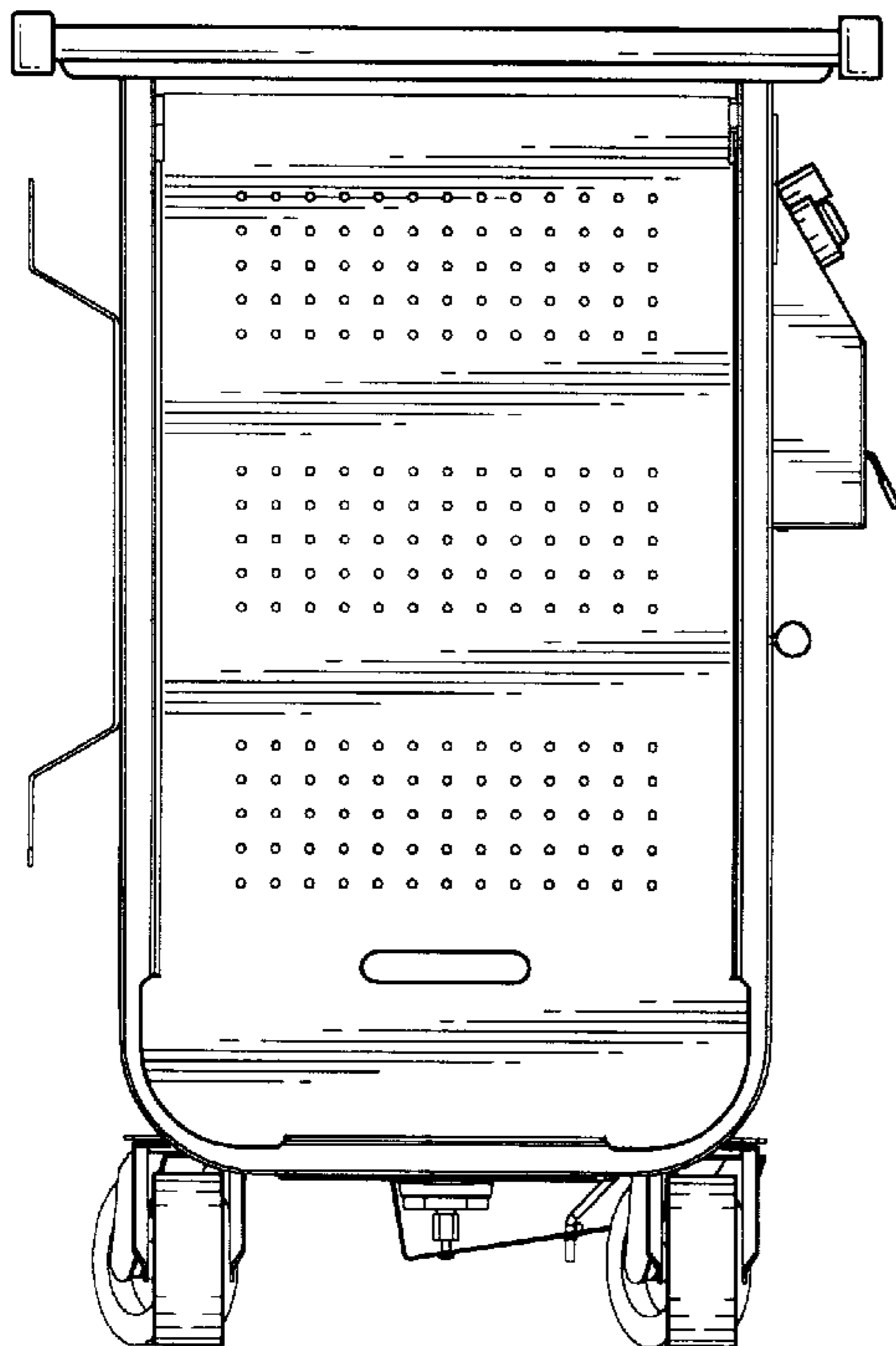


FIG. 5

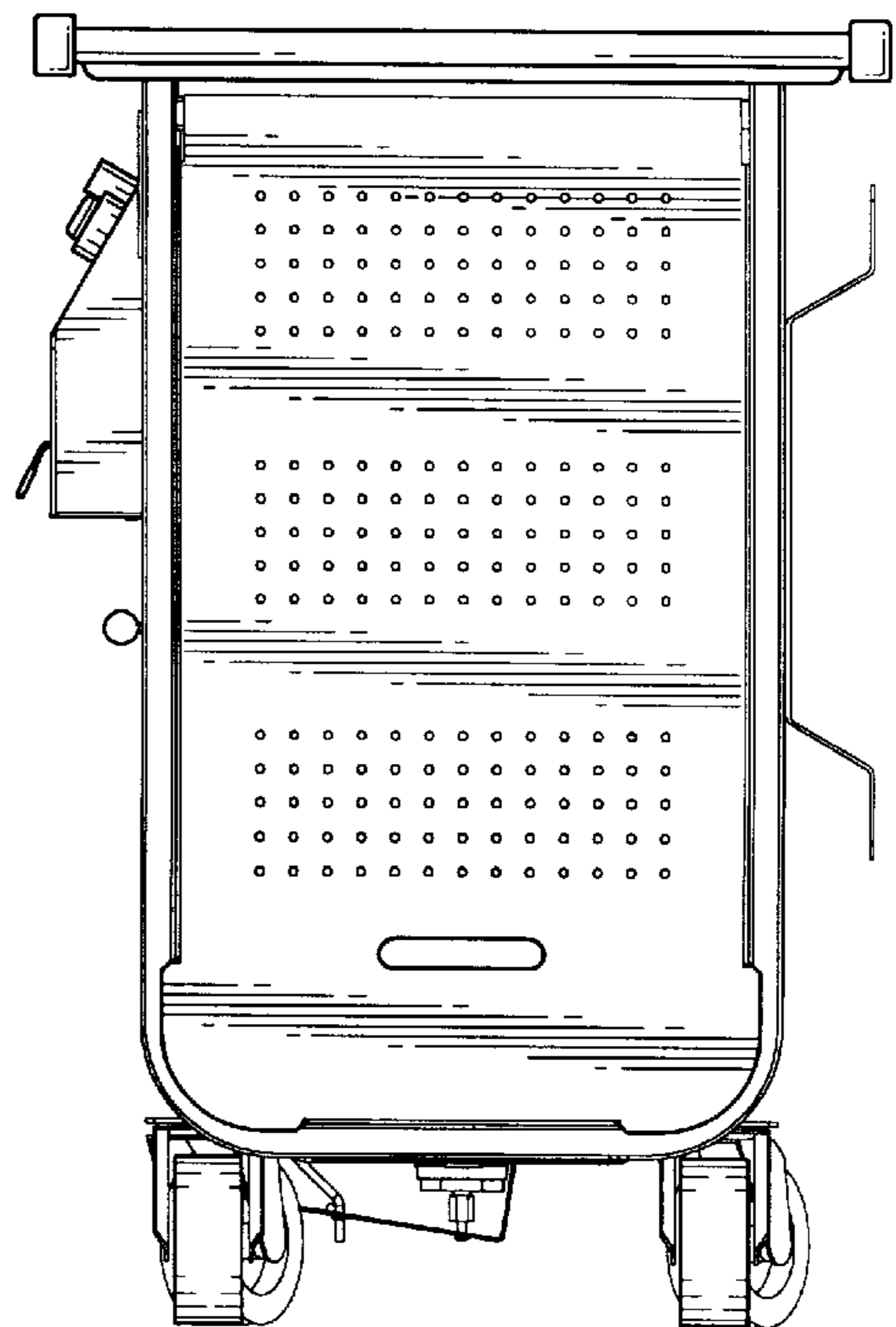


FIG. 6

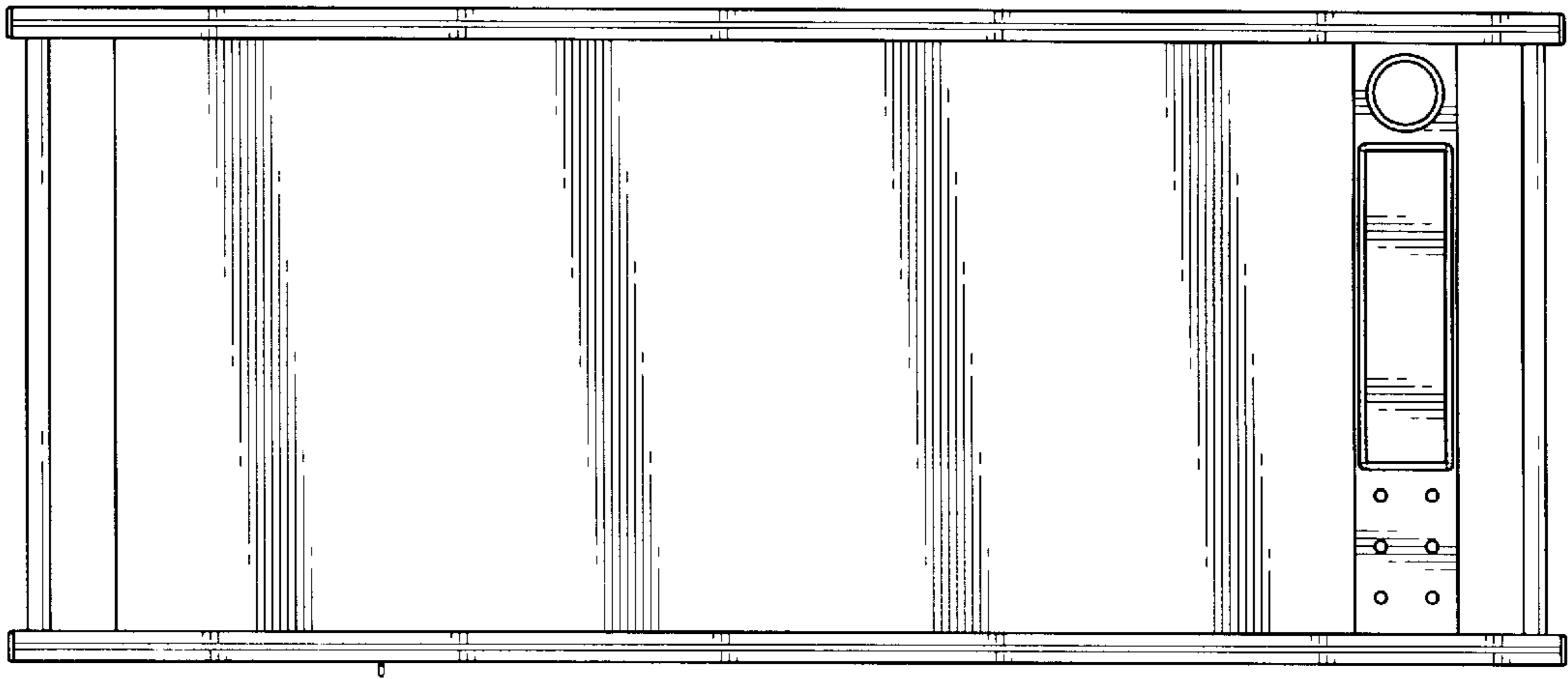


FIG. 7

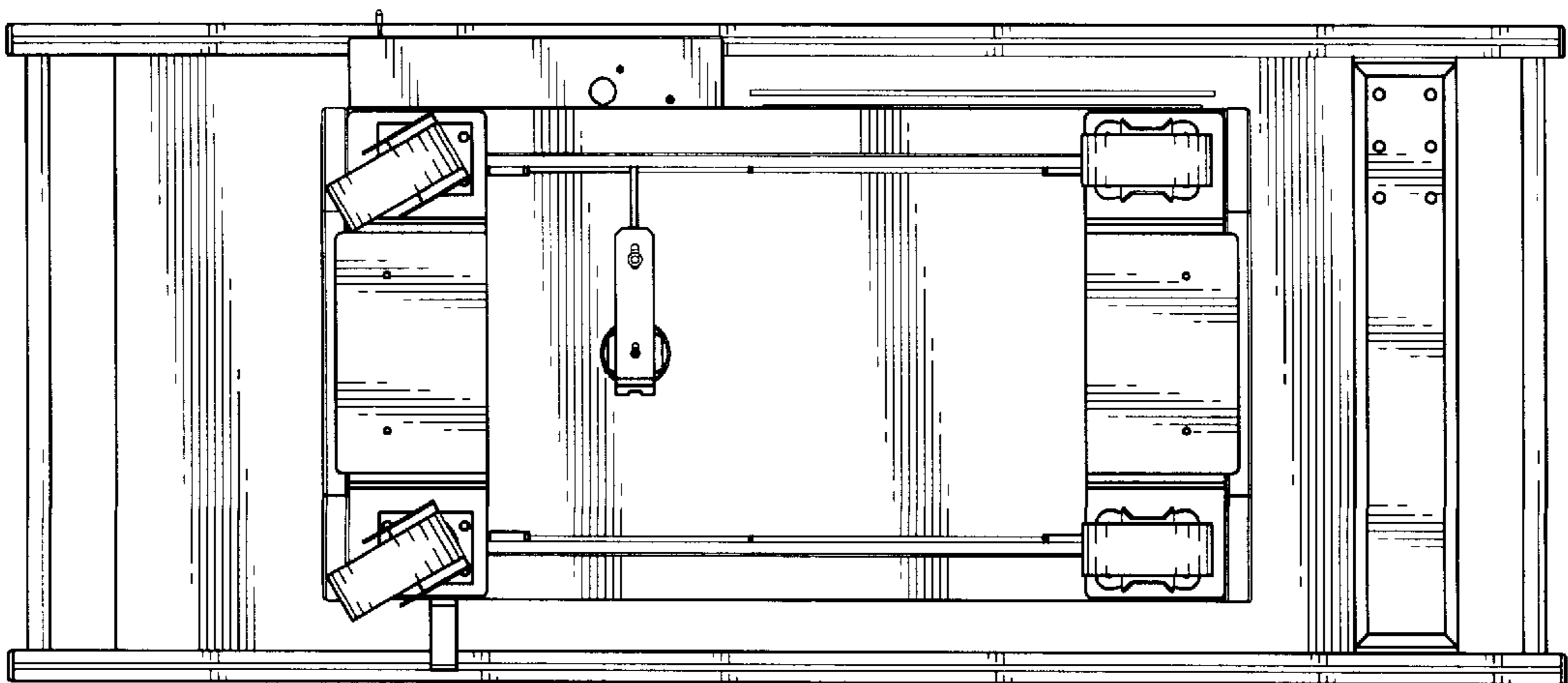


FIG. 8

