



US00D462494S

(12) **United States Design Patent**
Patrizi et al.

(10) **Patent No.:** **US D462,494 S**

(45) **Date of Patent:** **** Sep. 3, 2002**

(54) **MOBILE SUPPORT DEVICE FOR A HOSE**

D377,254 S * 1/1997 Cavalliere D34/24

(76) Inventors: **Mario Patrizi; Patricia Patrizi**, both of
89 Martha Ct., North Babylon, NY (US)
11703

* cited by examiner

Primary Examiner—Kay H. Chin

(**) Term: **14 Years**

(57) **CLAIM**

The ornamental design for a mobile support device for a hose, as shown and described.

(21) Appl. No.: **29/149,600**

(22) Filed: **Oct. 12, 2001**

DESCRIPTION

(51) **LOC (7) Cl.** **12-02**

(52) **U.S. Cl.** **D34/18; D34/12**

(58) **Field of Search** D34/12-27; 280/47.12,
280/47.24, 47.315, 79.11, 79.2, 79.5, 62

FIG. 1 is a front elevational view of a mobile support device for a hose showing my new design;

FIG. 2 is a rear elevational view thereof;

FIG. 3 is a side view, taken from the left side of FIG. 1;

FIG. 4 is a side view, taken from the right side of FIG. 1;

FIG. 5 is a top plan view thereof;

FIG. 6 is a bottom plan view thereof; and,

FIG. 7 is a top perspective drawing of a mobile support device in use.

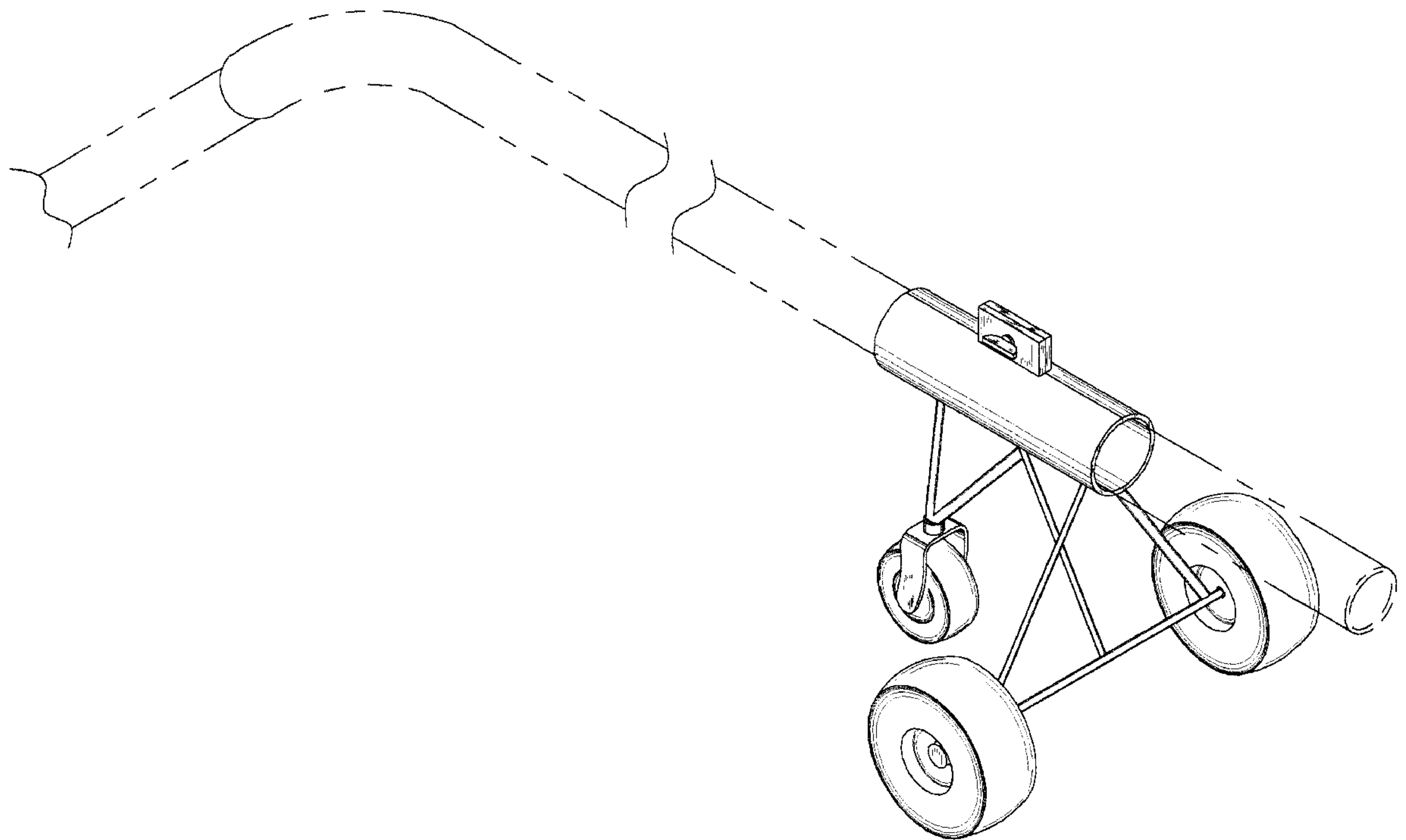
The broken line showing a hose in FIG. 7 is for illustrative purposes only and forms no part of the claimed design.

(56) **References Cited**

U.S. PATENT DOCUMENTS

5,116,068 A * 5/1992 Declouette 280/47.24
D330,960 S * 11/1992 Roberson D34/26
5,388,609 A * 2/1995 Ghio et al. 137/355.27
D362,326 S * 9/1995 Stout et al. D34/23

1 Claim, 7 Drawing Sheets



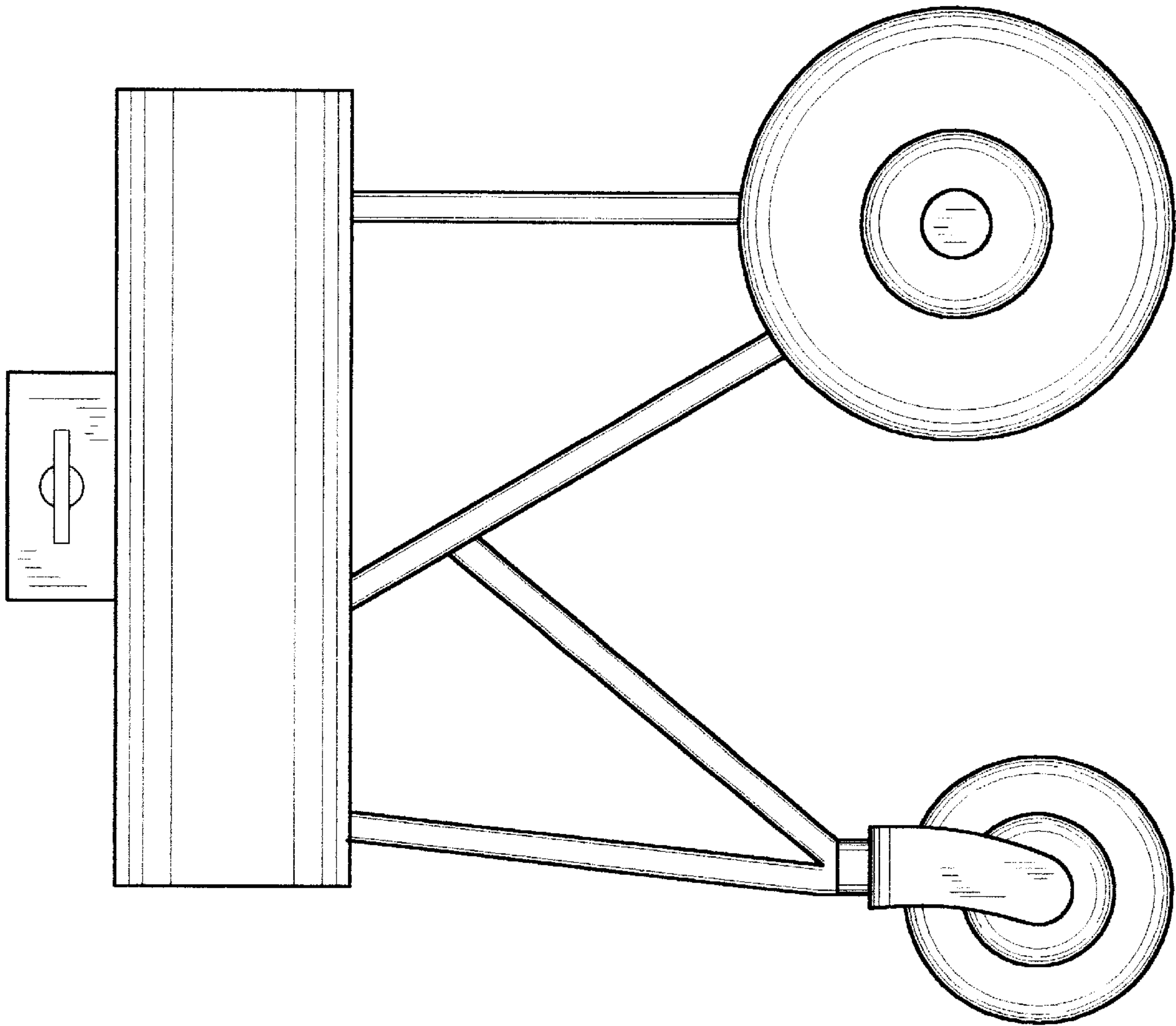


FIG. 1

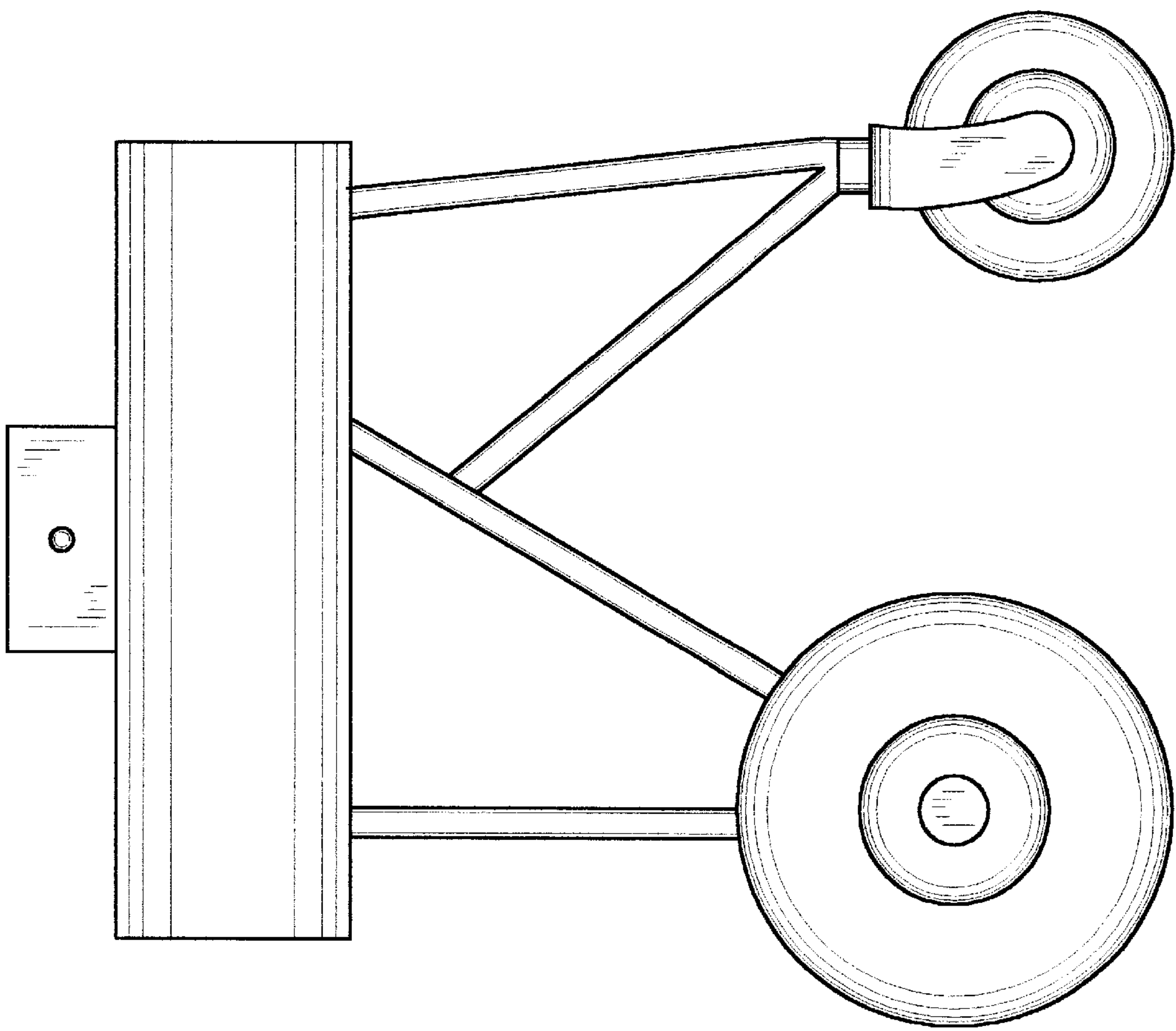


FIG. 2

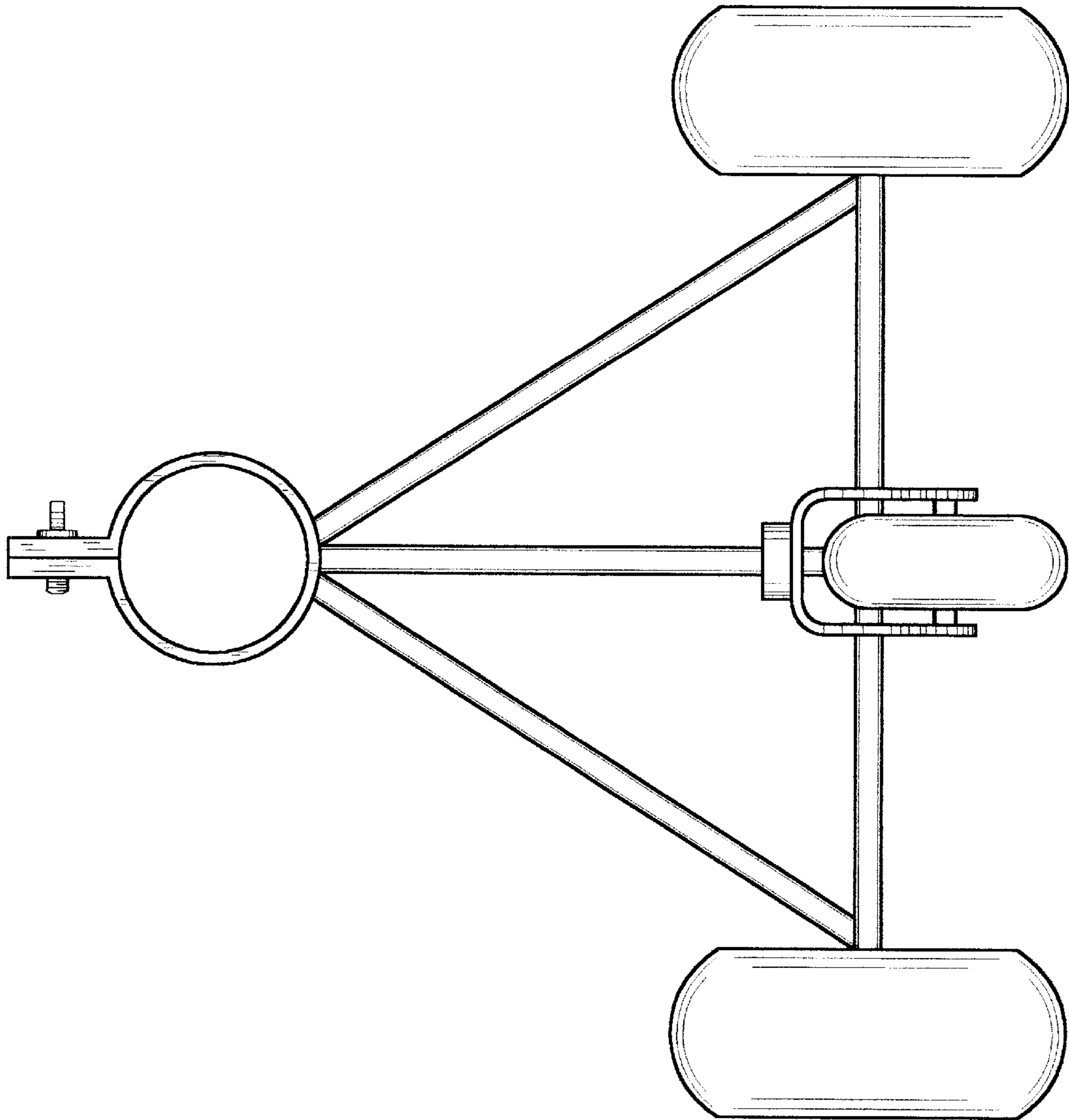


FIG. 3

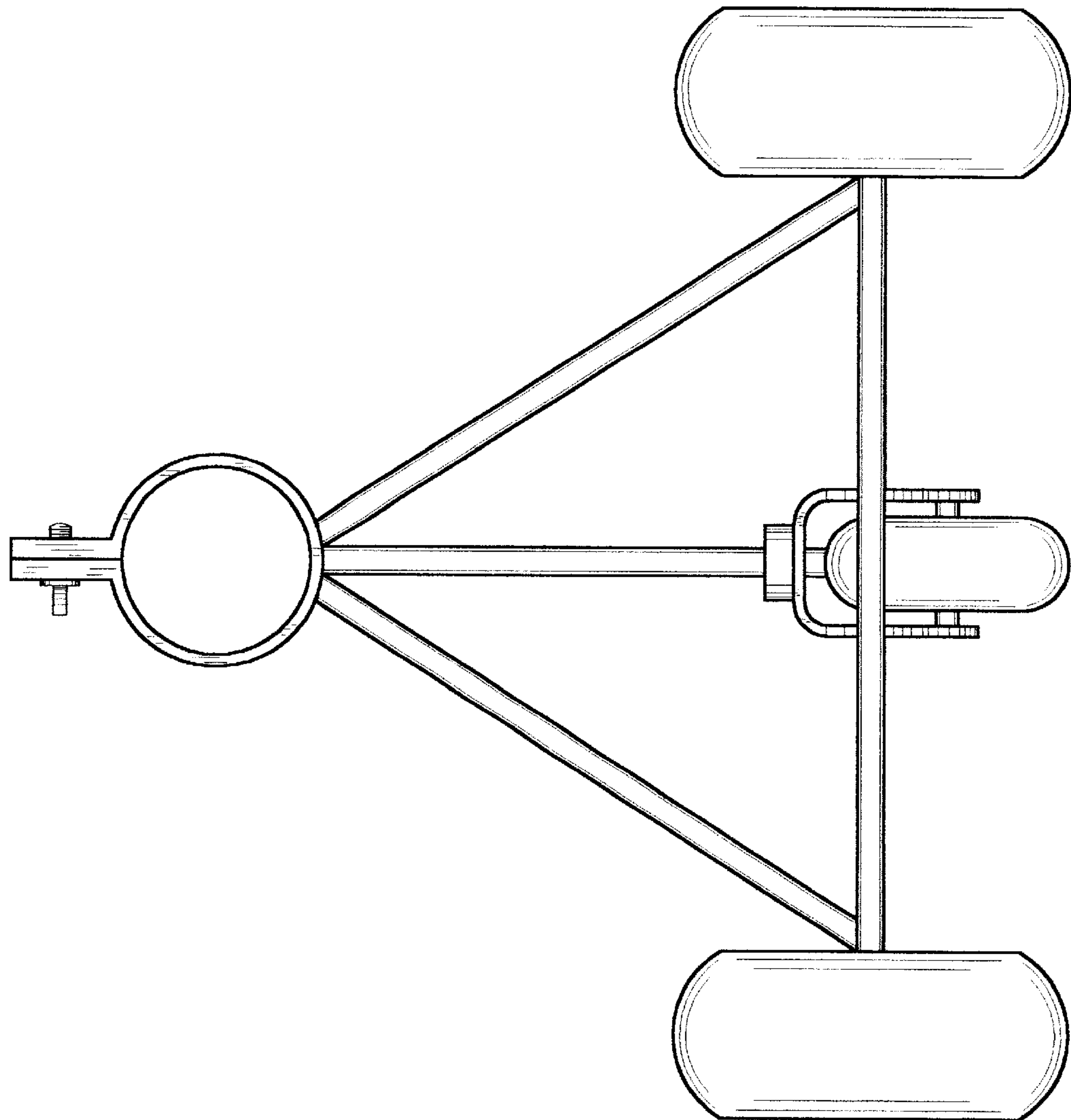


FIG. 4

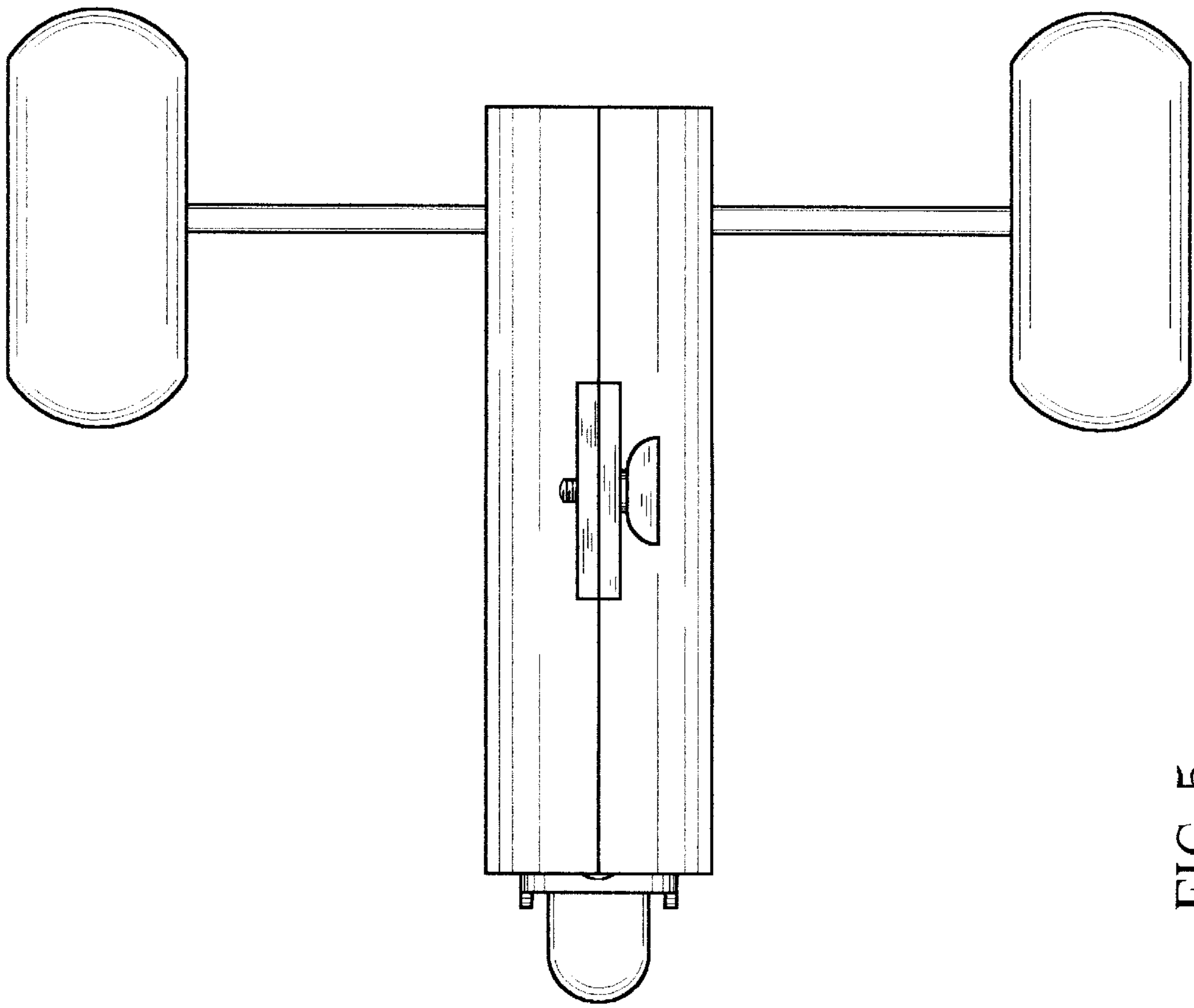


FIG. 5

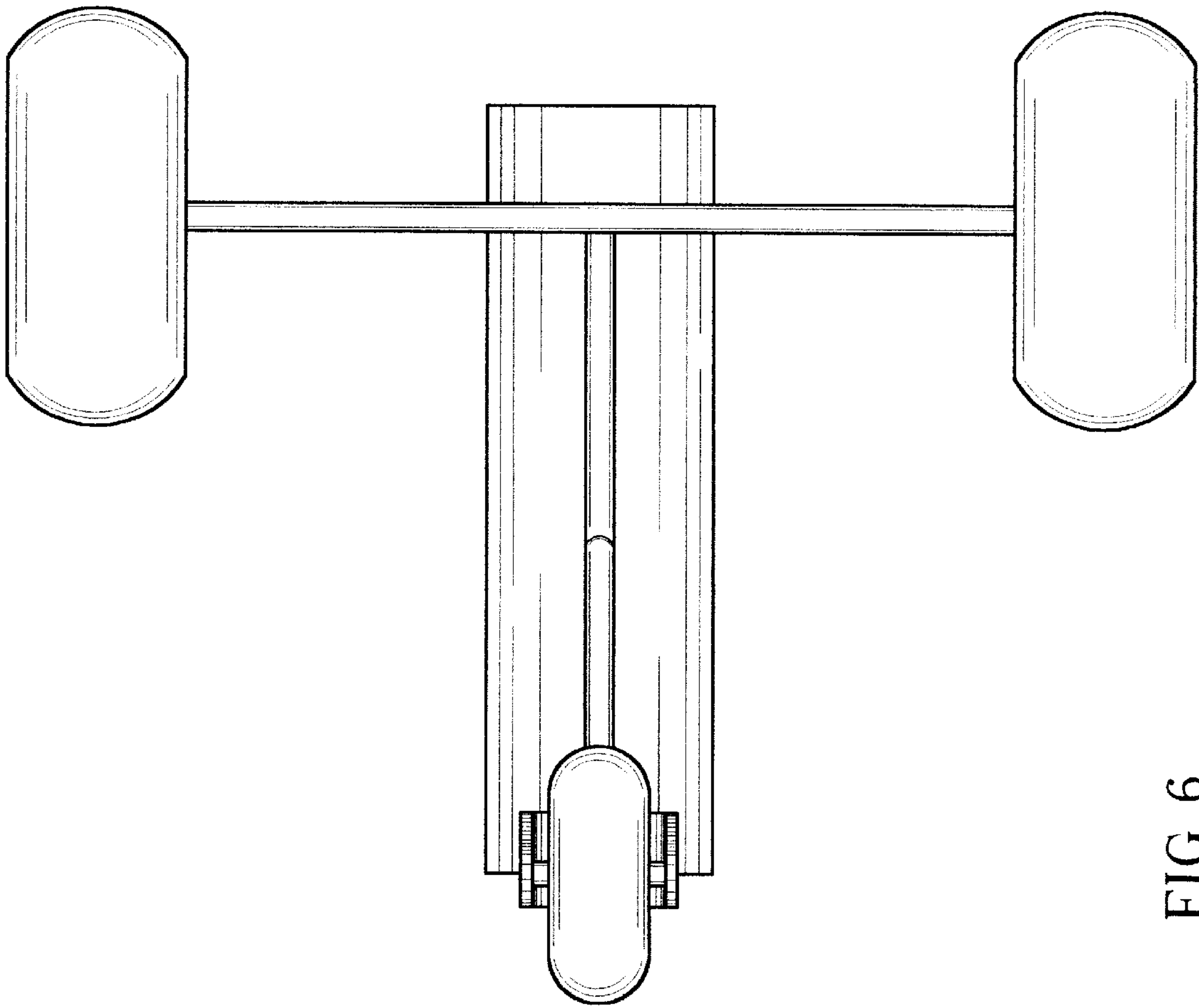


FIG. 6

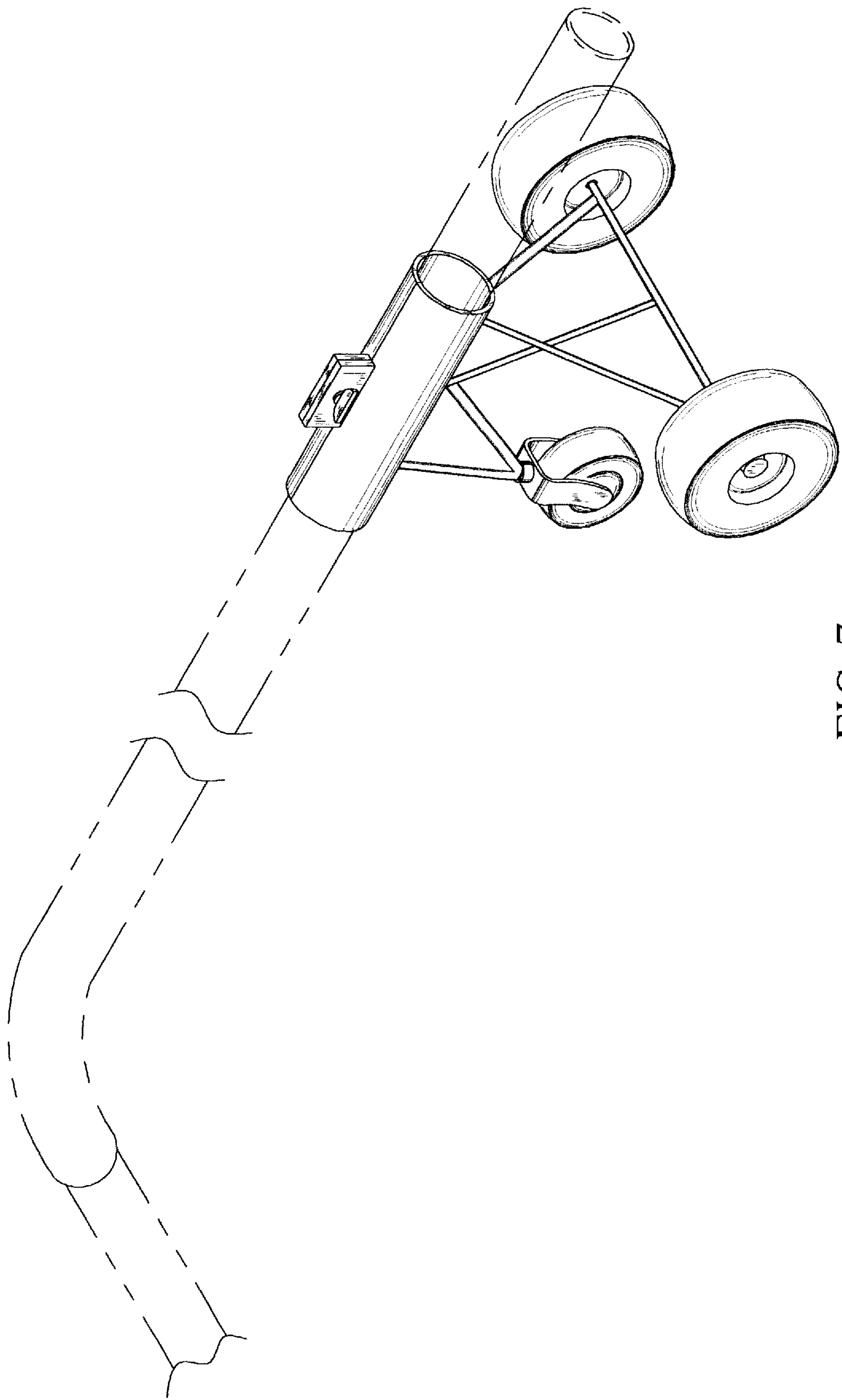


FIG. 7