



US00D462493S

(12) **United States Design Patent**
Sivells et al.

(10) **Patent No.:** **US D462,493 S**

(45) **Date of Patent:** **** Sep. 3, 2002**

(54) **SPRAYER DOLLY**

D440,371 S * 4/2001 Stanek et al. D34/24

(75) Inventors: **Michael D. Sivells; Barbara A. Sivells,**
both of Fairdale, KY (US)

* cited by examiner

Primary Examiner—Kay H. Chin

(73) Assignee: **Empire Spraying Systems, Inc.,**
Louisville, KY (US)

(74) *Attorney, Agent, or Firm*—Carrithers Law Office;
David W. Carrithers

(**) Term: **14 Years**

(57) **CLAIM**

The ornamental design for a sprayer dolly, as shown and described.

(21) Appl. No.: **29/136,484**

DESCRIPTION

(22) Filed: **Jan. 31, 2001**

(51) **LOC (7) Cl.** **12-02**

FIG. 1 is a perspective view of a sprayer dolly in accordance with our design;

(52) **U.S. Cl.** **D34/12; D34/18; D34/24**

FIG. 2 is a front end view thereof;

(58) **Field of Search** **D34/12-27; 280/47.19,**
280/47.24, 47.26, 47.27, 79.5, 79.11, 651,
652; 248/129

FIG. 3 is a rear end view thereof;

FIG. 4 is a top view thereof;

FIG. 5 is a bottom view thereof;

FIG. 6 is a left side view thereof; and,

FIG. 7 is a right side view.

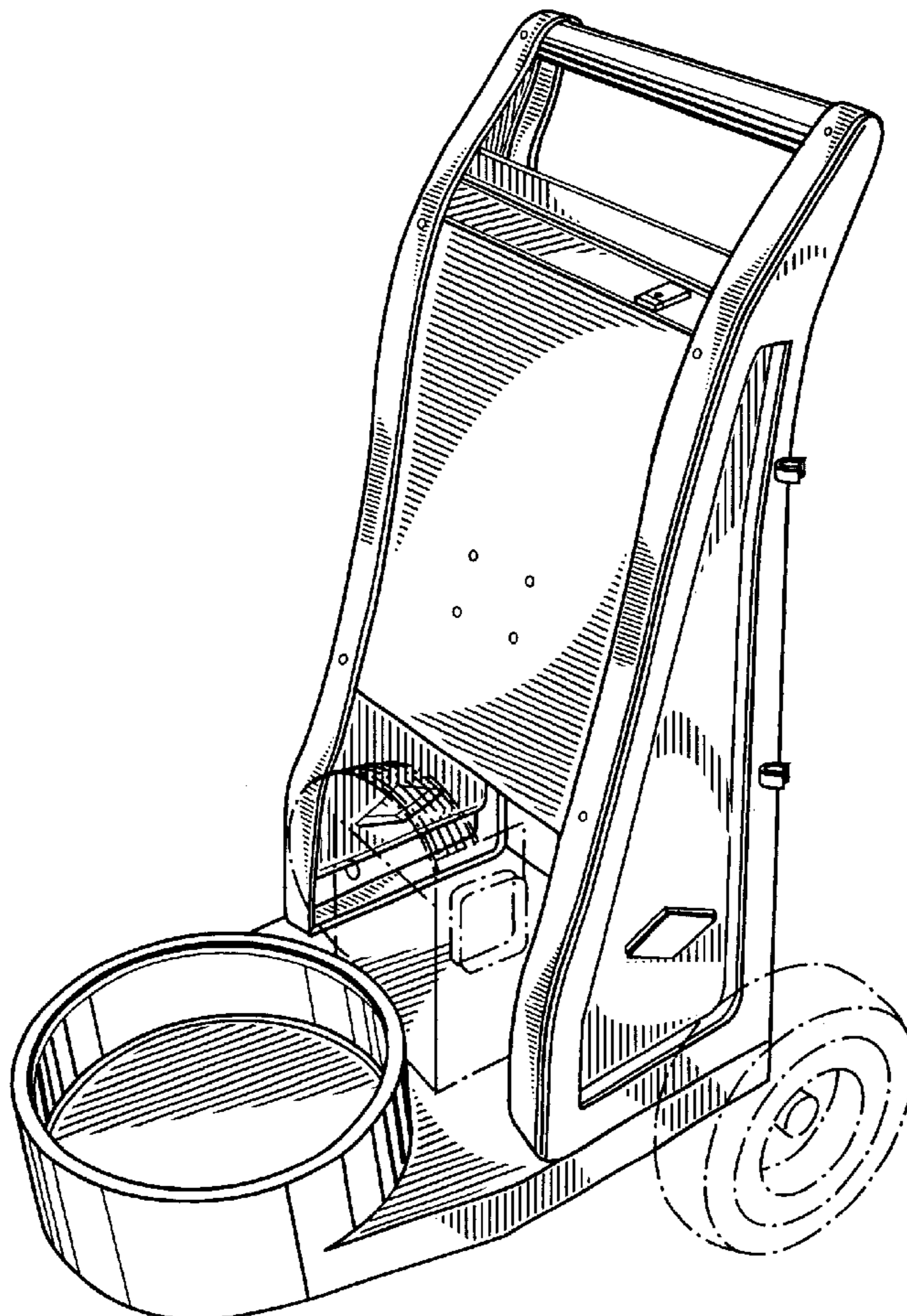
(56) **References Cited**

U.S. PATENT DOCUMENTS

- D187,550 S 3/1960 Hoover
- 5,340,136 A * 8/1994 MacNeil et al. 280/472
- D396,924 S 8/1998 Cardenas
- D424,771 S 5/2000 Sivell

The broken line showing the battery box, hose reel, and wheels are included for the purpose of illustrating environmental structure only and form no part of the claimed design.

1 Claim, 3 Drawing Sheets



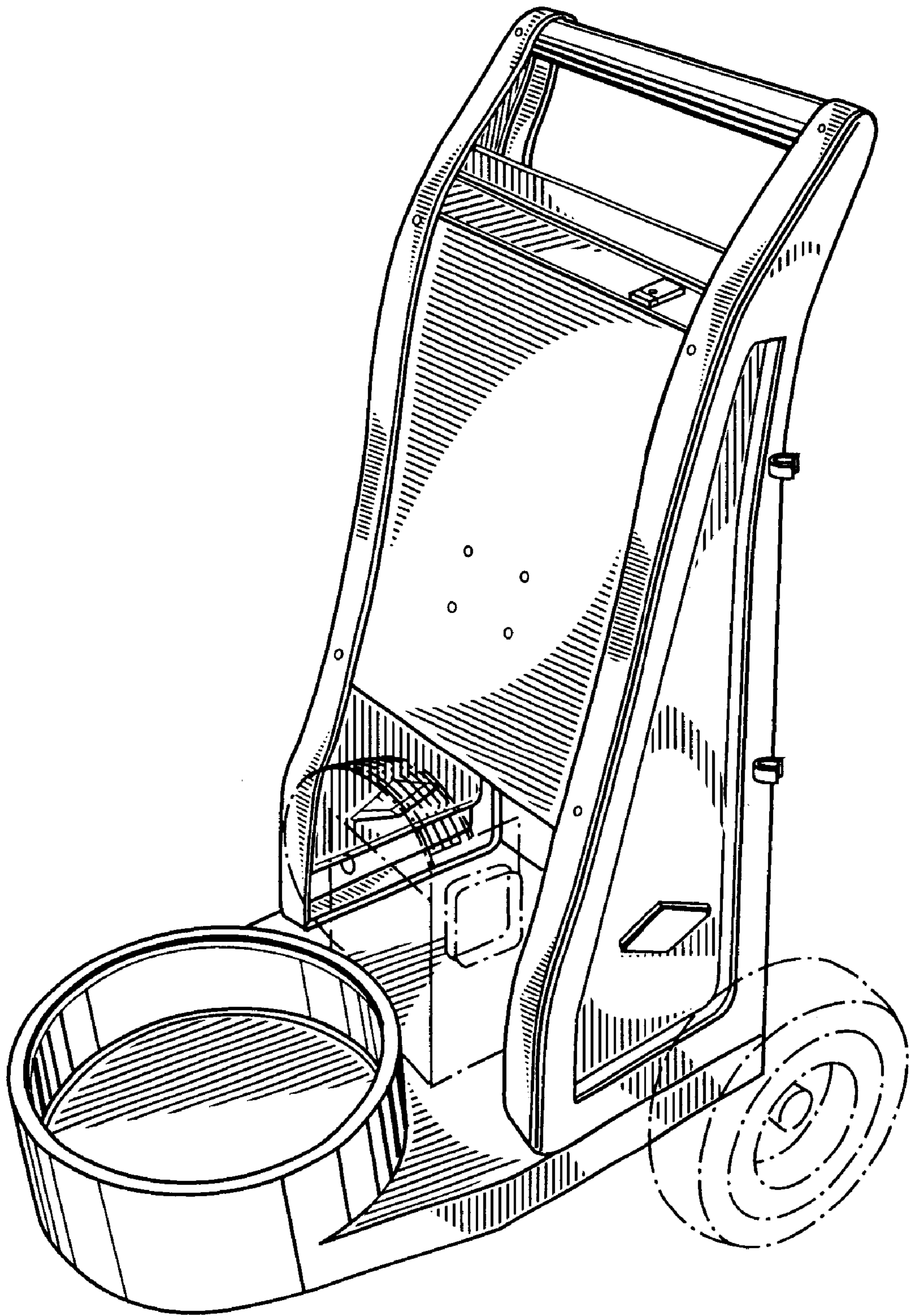


FIG. 1

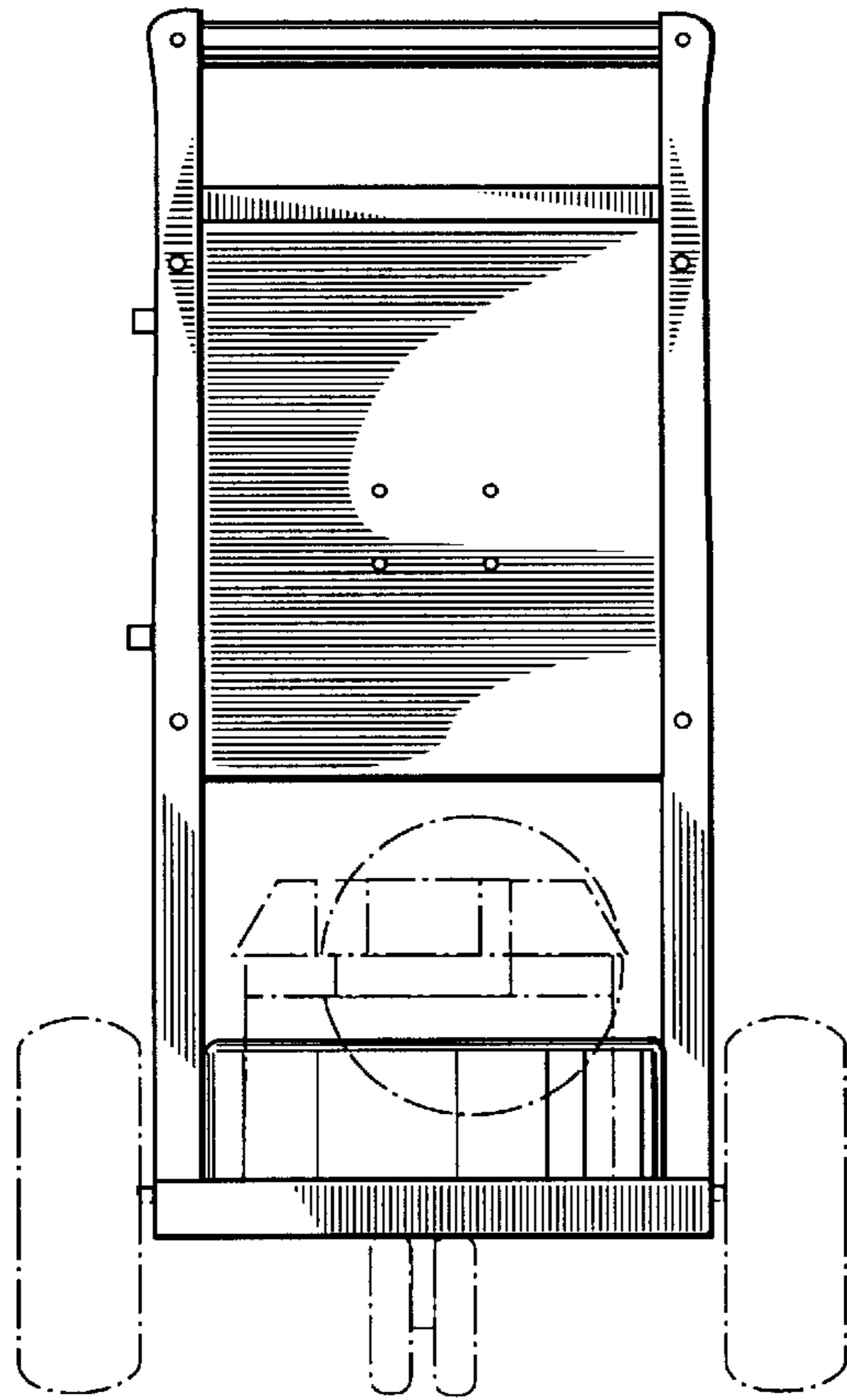


FIG. 2

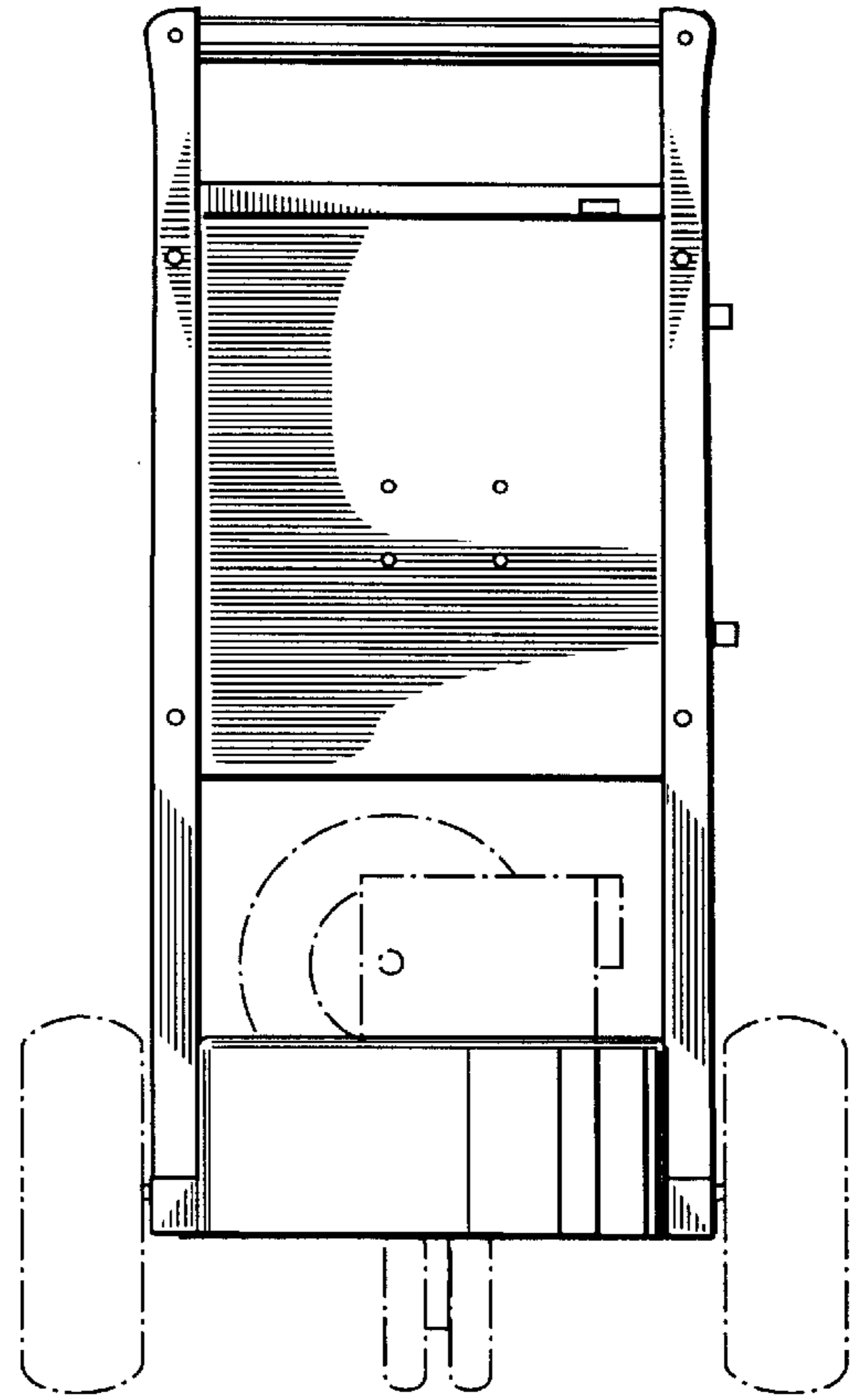


FIG. 3

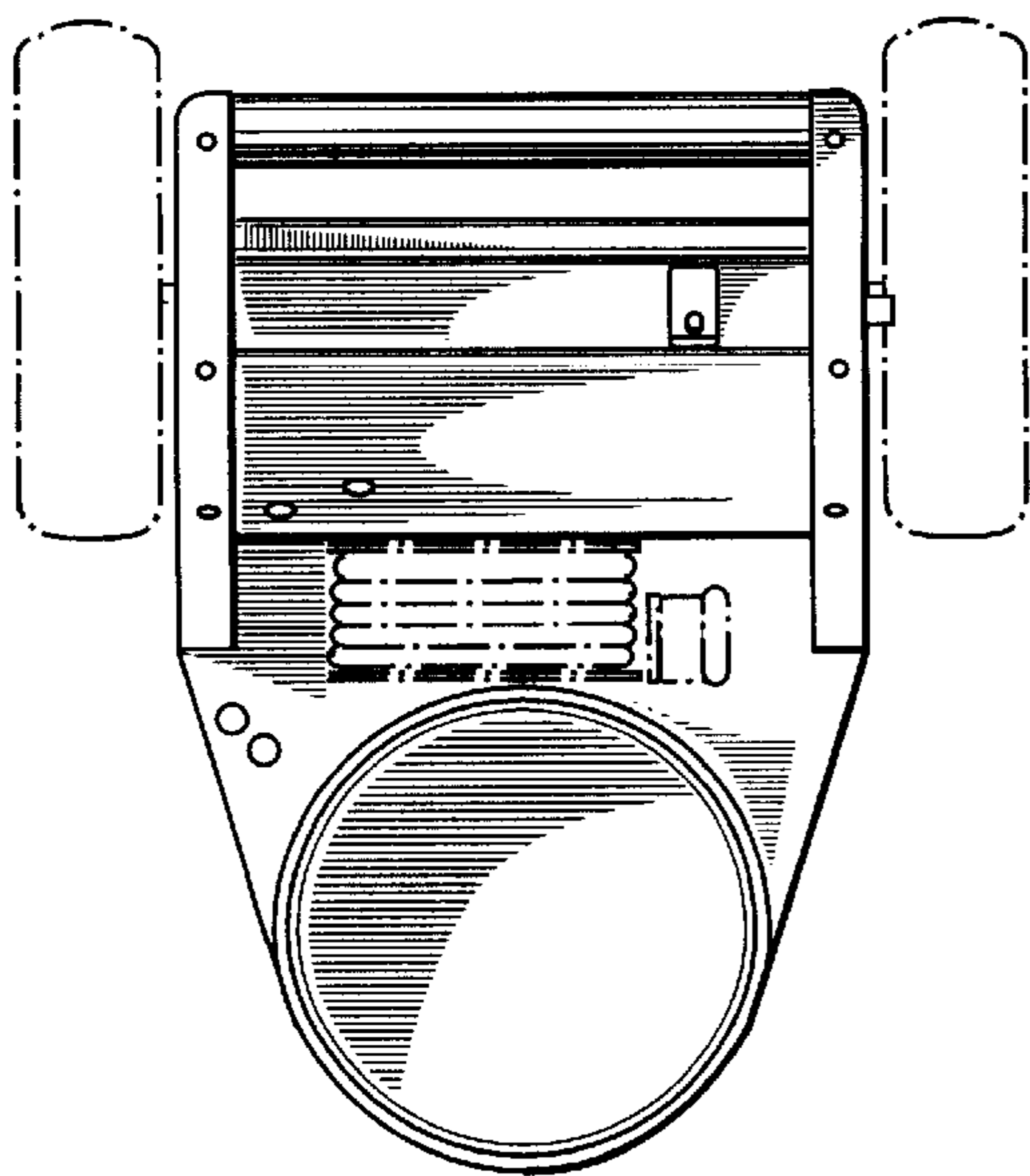


FIG. 4

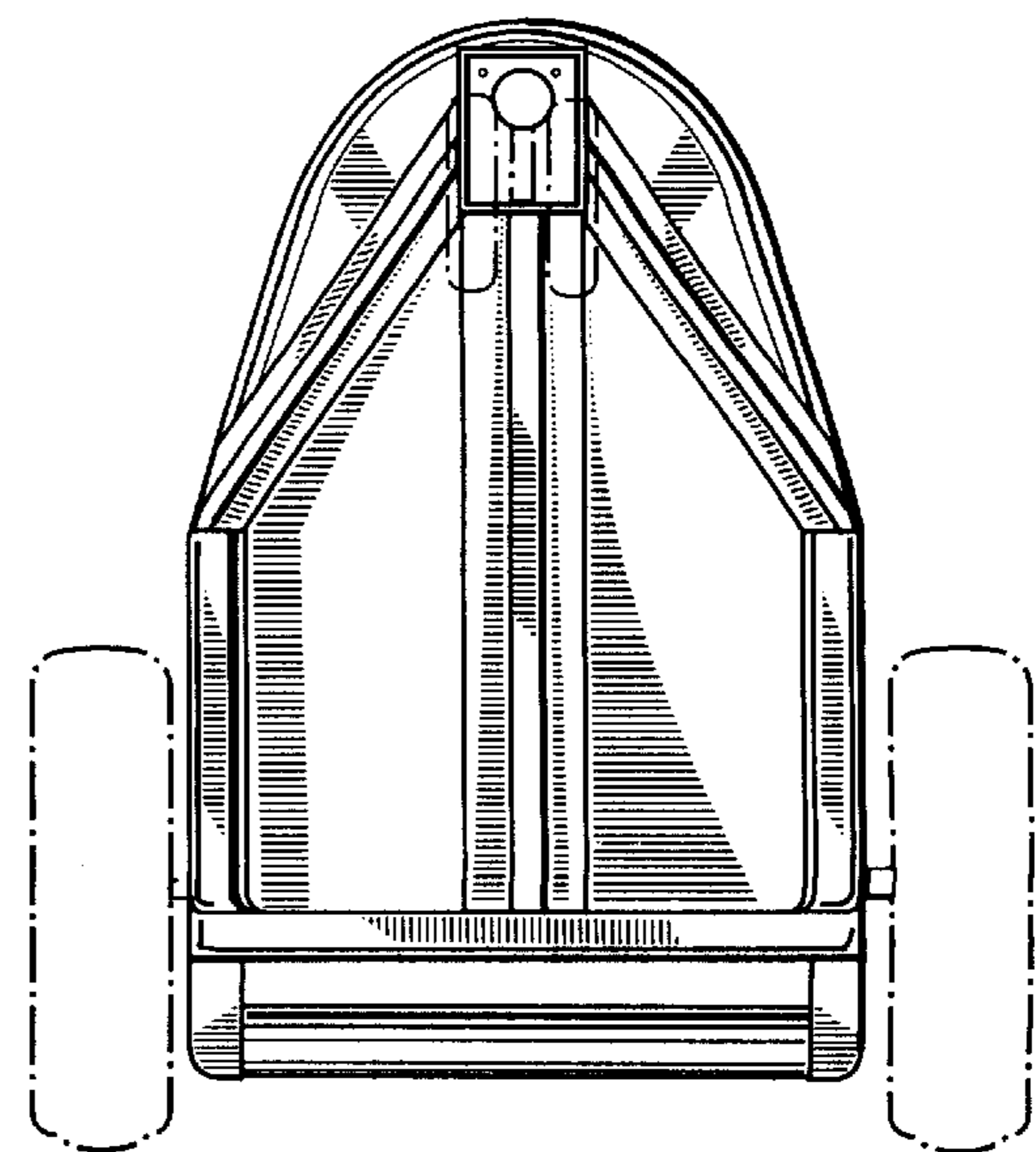


FIG. 5

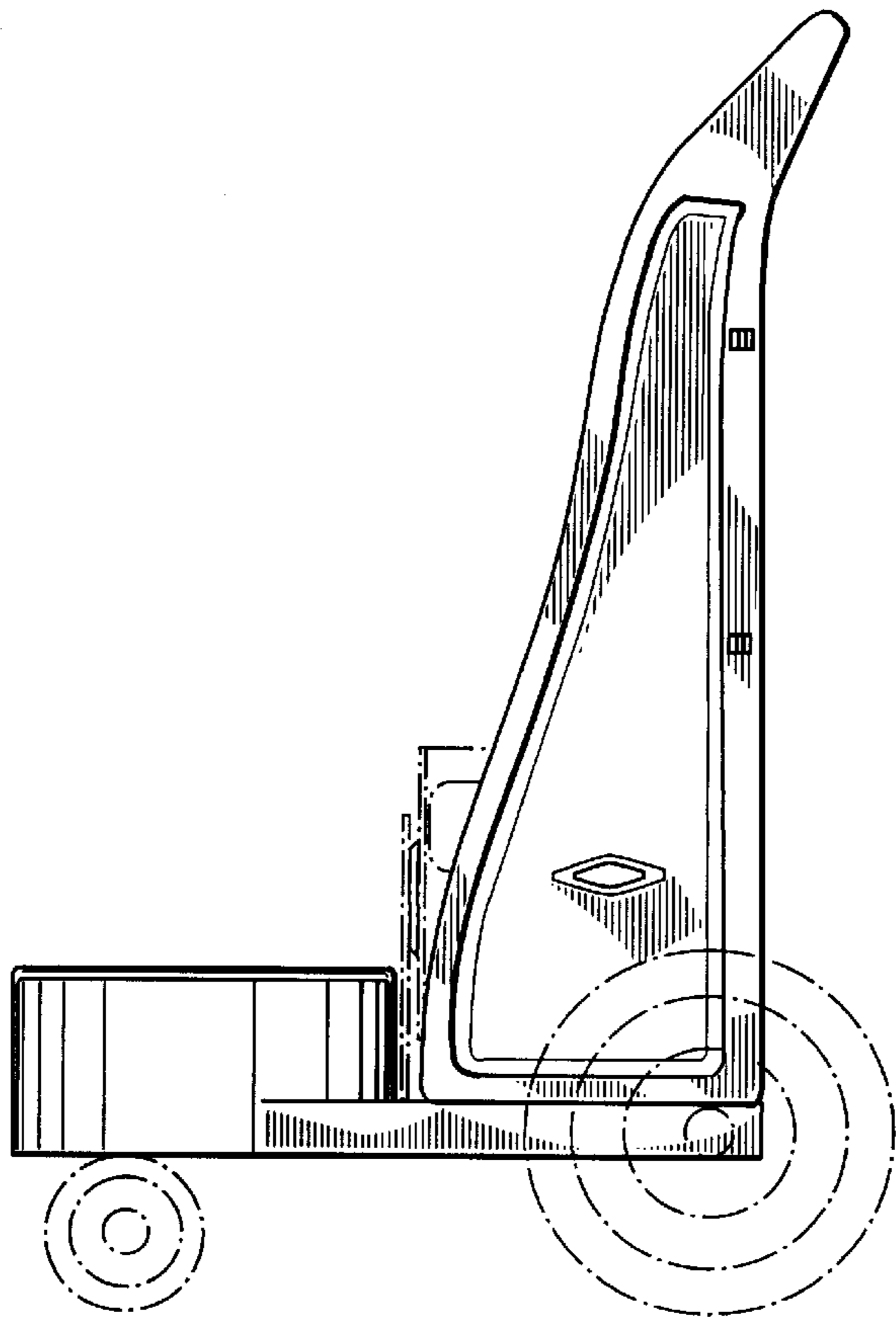


FIG. 6

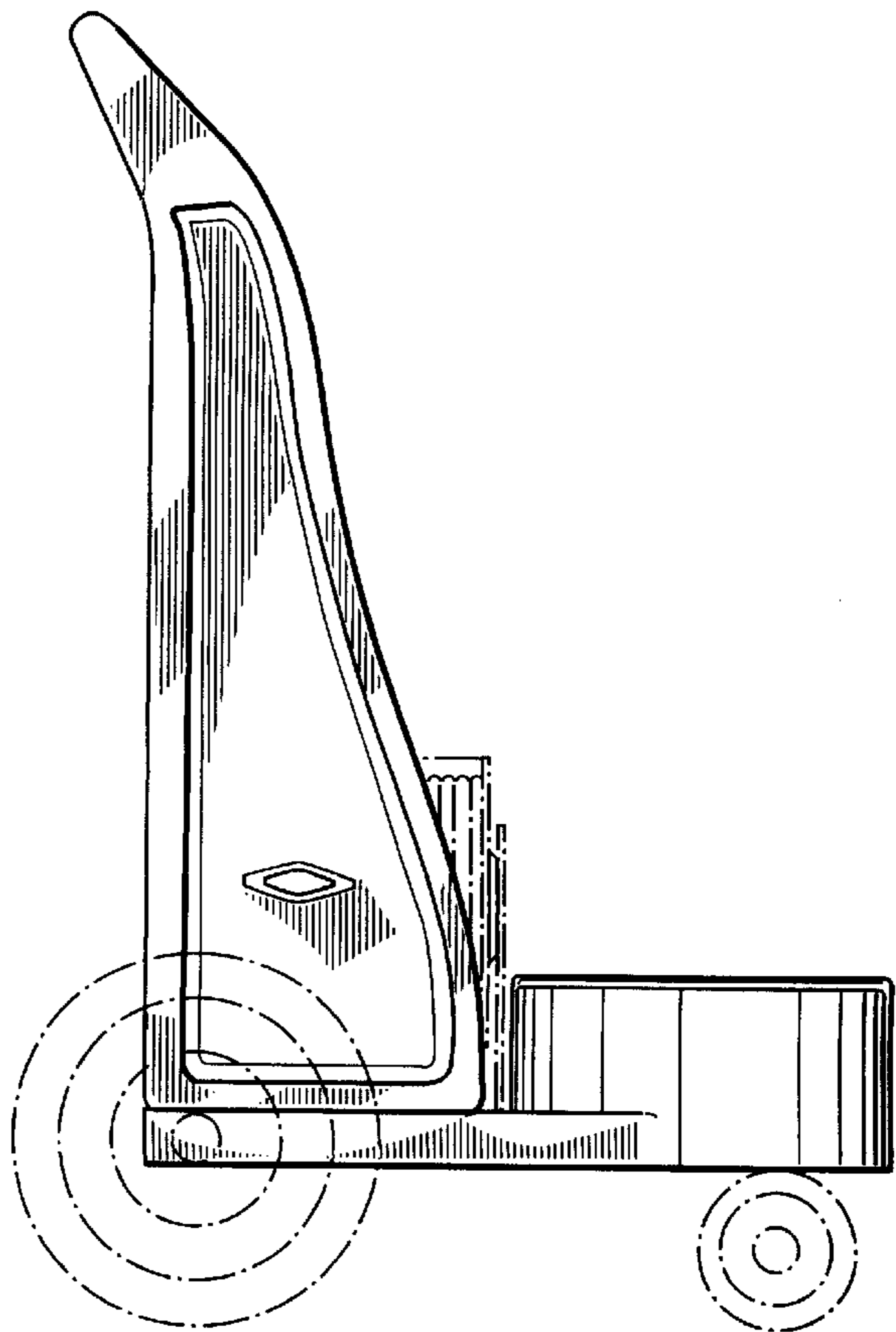


FIG. 7