



US00D462490S

(12) **United States Design Patent**
Mendis

(10) **Patent No.:** **US D462,490 S**

(45) **Date of Patent:** **** Sep. 3, 2002**

(54) **BOOT SCRAPER**

(75) Inventor: **H. C. S. Mendis, Mahabage (LK)**

(73) Assignee: **Rileys Limited, Colombo (LK)**

(**) Term: **14 Years**

(21) Appl. No.: **29/132,009**

(22) Filed: **Oct. 31, 2000**

(30) **Foreign Application Priority Data**

May 29, 2000 (LK) 5729

(51) **LOC (7) Cl.** **08-99**

(52) **U.S. Cl.** **D32/47**

(58) **Field of Search** **D32/47; D6/582,**
D6/583, 592; 15/112, 160, 161, 215-217,
237-240

(56) **References Cited**

U.S. PATENT DOCUMENTS

D407,255 S * 3/1999 Librett D6/582

* cited by examiner

Primary Examiner—Jennifer Rivard

(74) *Attorney, Agent, or Firm*—Lawrence E. Apolzon;
Fross, Zelnick, Lehrman & Zissu, P.C.

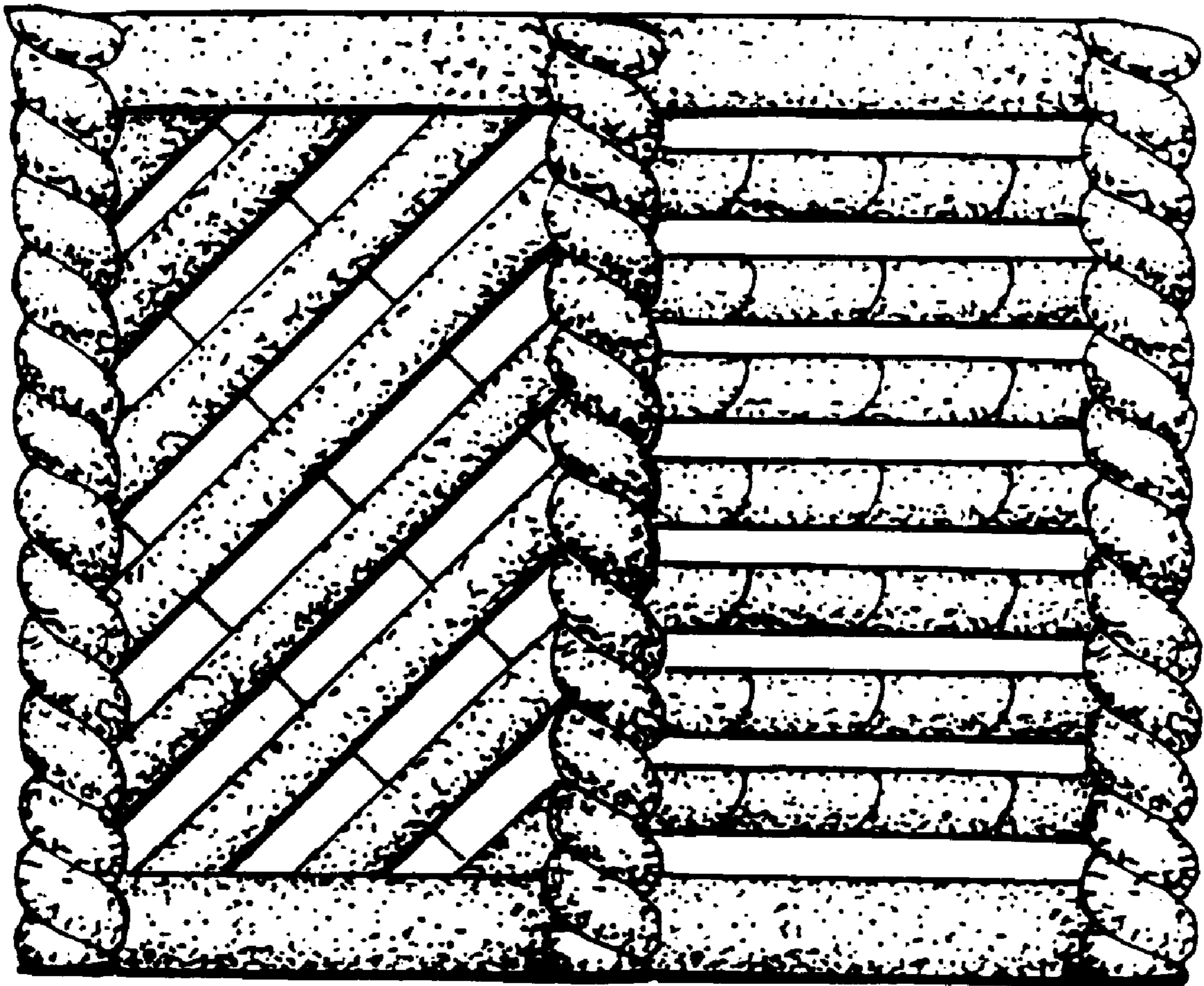
(57) **CLAIM**

The ornamental design for a boot scraper, as shown and described.

DESCRIPTION

FIG. 1 is a top view;
FIG. 2 is a front view; and,
FIG. 3 is a isometric view.

1 Claim, 1 Drawing Sheet



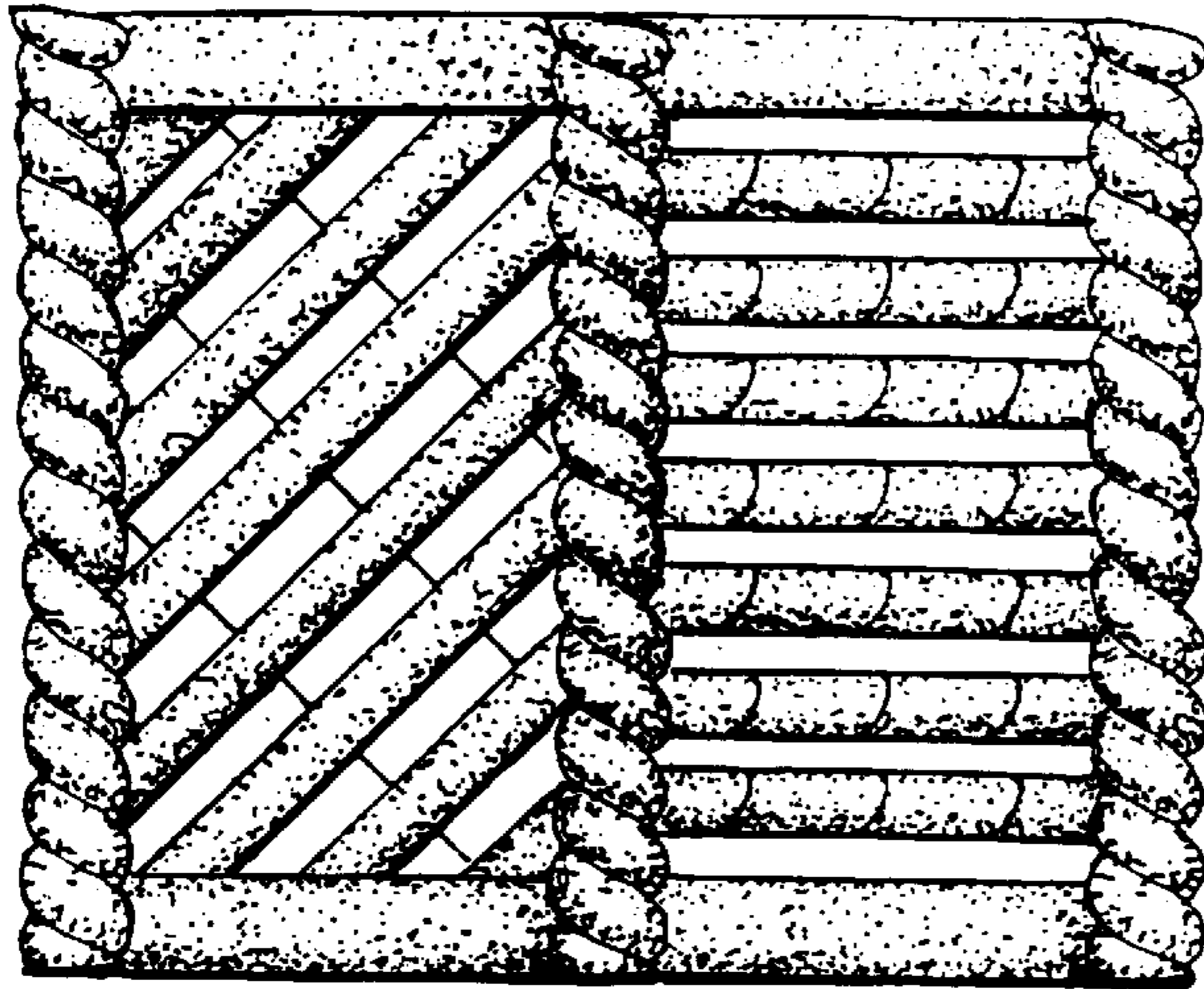


FIG. 1



FIG. 2

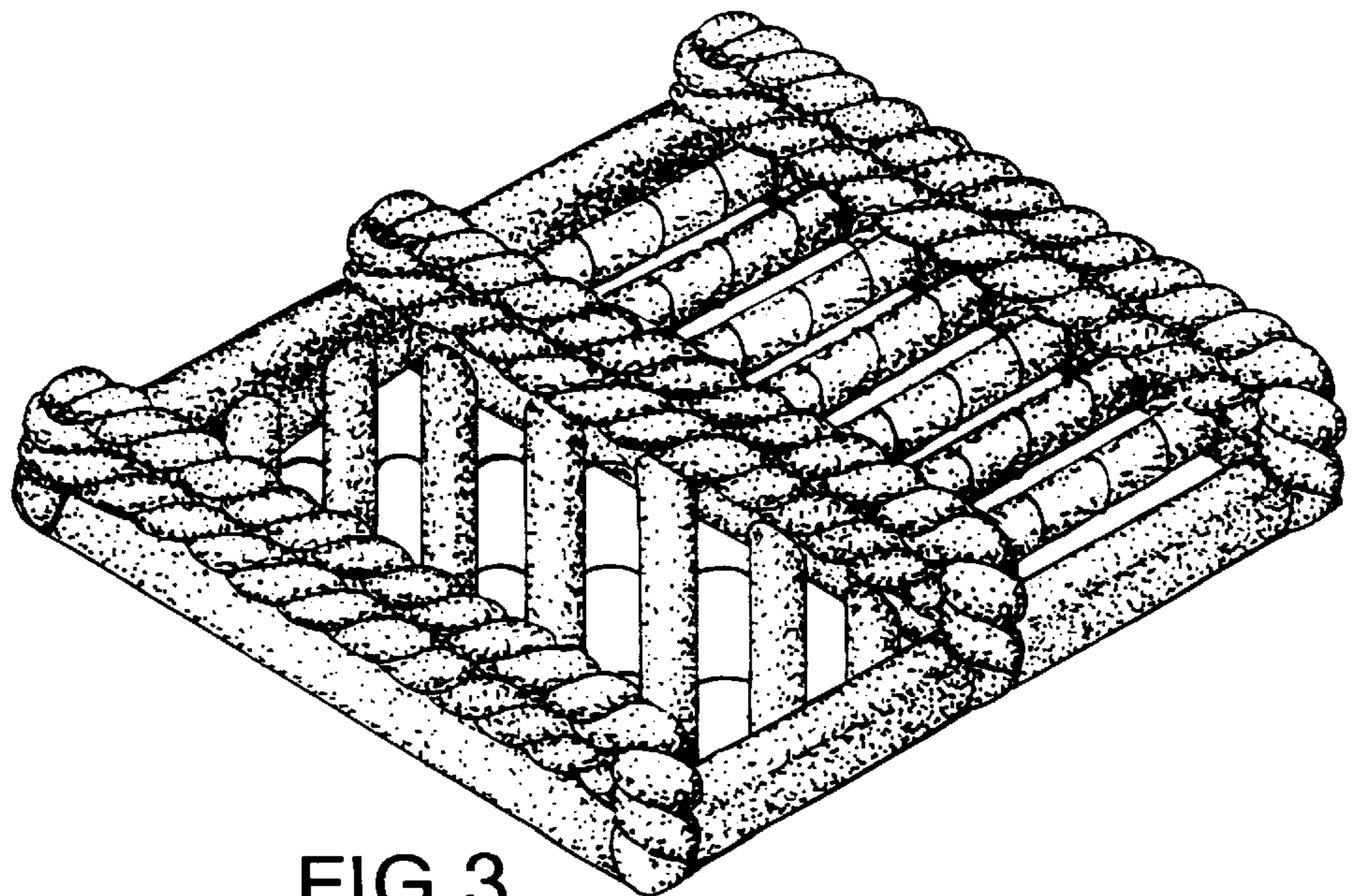


FIG. 3