



US00D462489S

(12) **United States Design Patent** (10) **Patent No.:** **US D462,489 S**
Roberts et al. (45) **Date of Patent:** **** Sep. 3, 2002**

(54) **VACUUM CLEANER UPPER PORTION**

(75) Inventors: **Kenneth L. Roberts**, Rockford;
Douglas J. Medema, Belding, both of
MI (US)

(73) Assignee: **Bissell Homecare, Inc.**, Grand Rapids,
MI (US)

(**) Term: **14 Years**

(21) Appl. No.: **29/152,218**

(22) Filed: **Oct. 30, 2001**

(51) **LOC (7) Cl.** **15-05**

(52) **U.S. Cl.** **D32/31**

(58) **Field of Search** D32/21-22, 31,
D32/34; 15/320-321, 347, 350-353, 361,
410-411, 377, 323, DIG. 10; 174/46; 285/7;
439/191

(56) **References Cited**

U.S. PATENT DOCUMENTS

D309,203 S * 7/1990 Goodrich D32/22
D343,707 S 1/1994 Dyson
D418,265 S * 12/1999 Farone et al. D32/22

6,003,196 A 12/1999 Wright et al.
6,026,540 A * 2/2000 Wright et al. 15/347
D429,854 S * 8/2000 Hohulin et al. D32/22
D434,884 S * 12/2000 Hohulin et al. D32/22
D435,945 S * 1/2001 Ikeno et al. D32/22
D452,758 S * 1/2002 Yokoyama et al. D32/22

* cited by examiner

Primary Examiner—Ruth McInroy

(74) *Attorney, Agent, or Firm*—McGarry Bair LLP

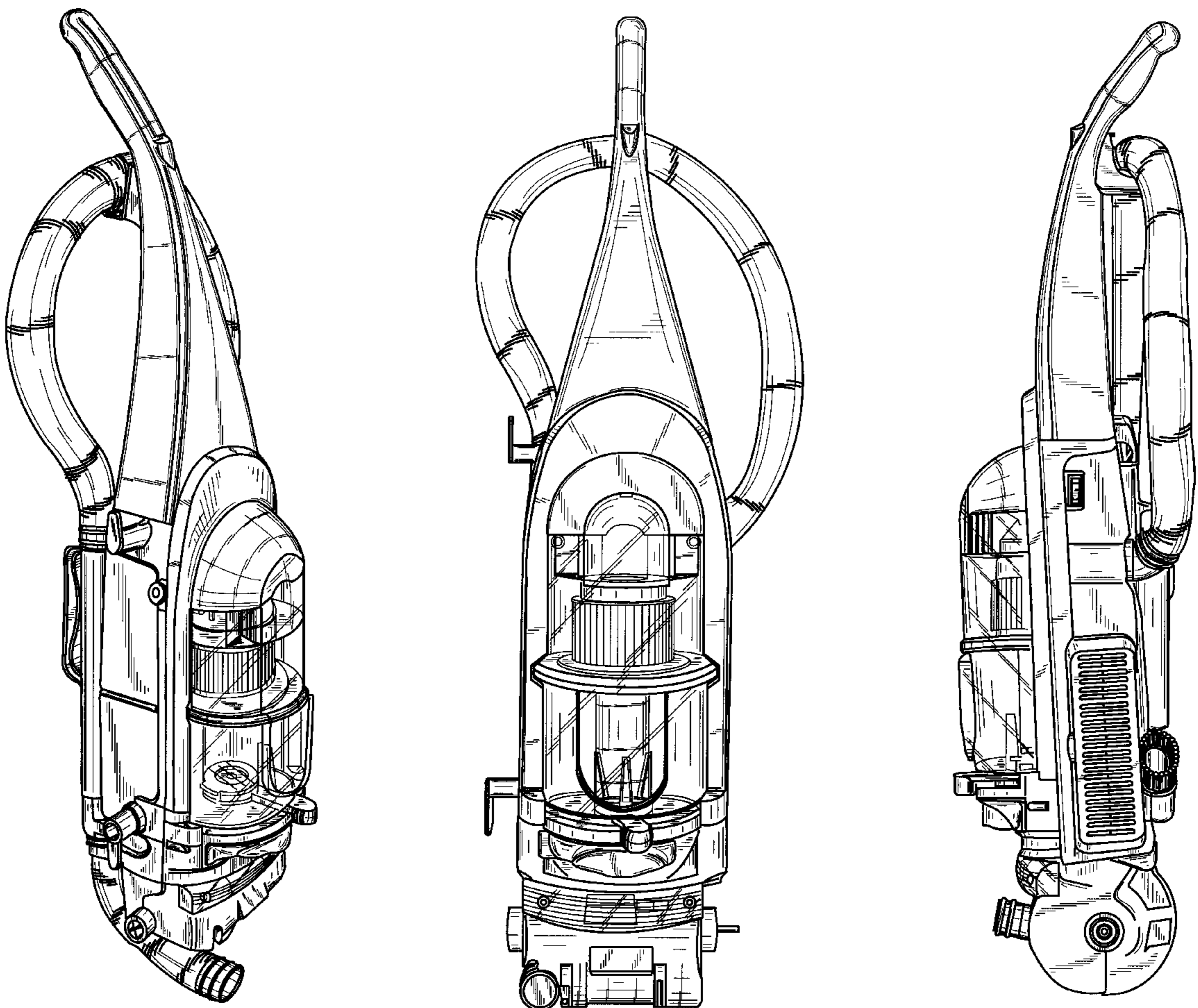
(57) **CLAIM**

The ornamental design for a vacuum cleaner upper portion,
as shown and described.

DESCRIPTION

FIG. 1 is a perspective view of a vacuum cleaner upper portion showing our new design;
FIG. 2 is a front view thereof;
FIG. 3 is a rear view thereof;
FIG. 4 is a left side view thereof;
FIG. 5 is a right side view thereof;
FIG. 6 is a top view thereof; and,
FIG. 7 is a bottom view thereof.

1 Claim, 6 Drawing Sheets



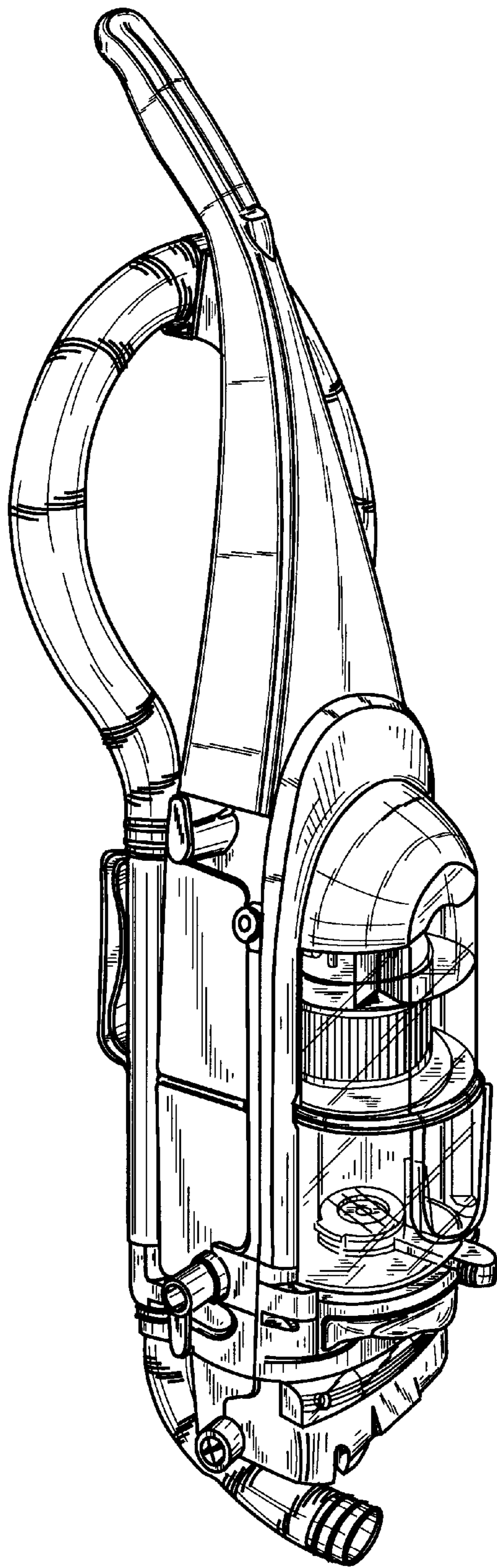


Fig. 1

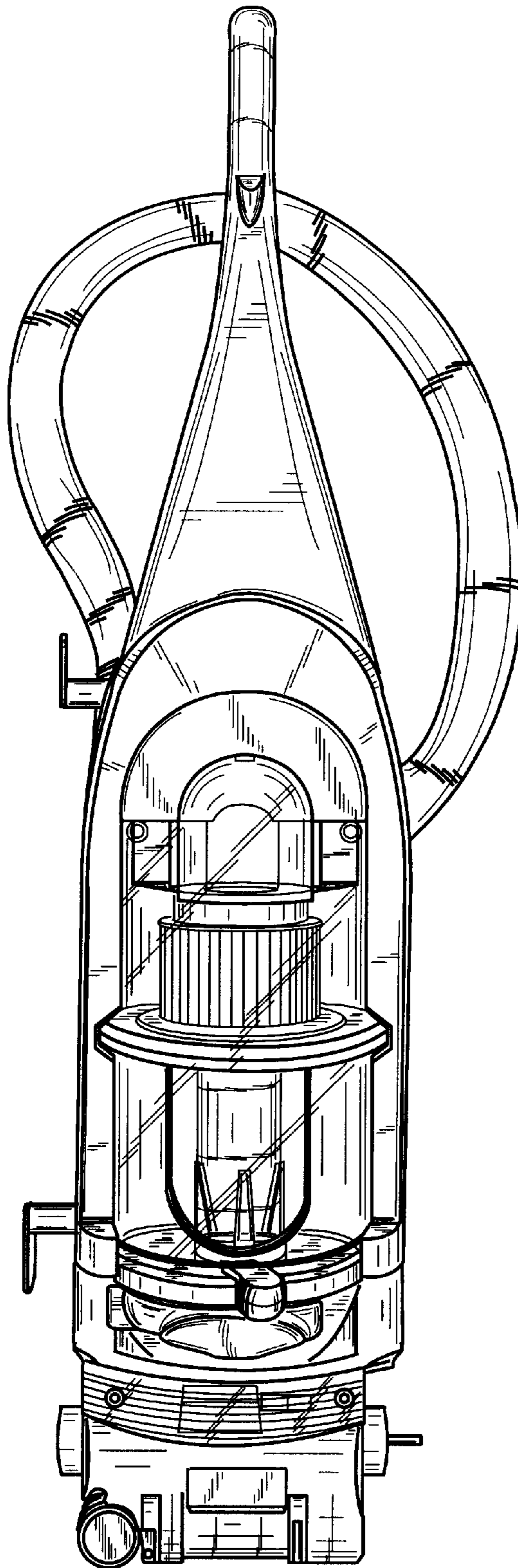


Fig. 2

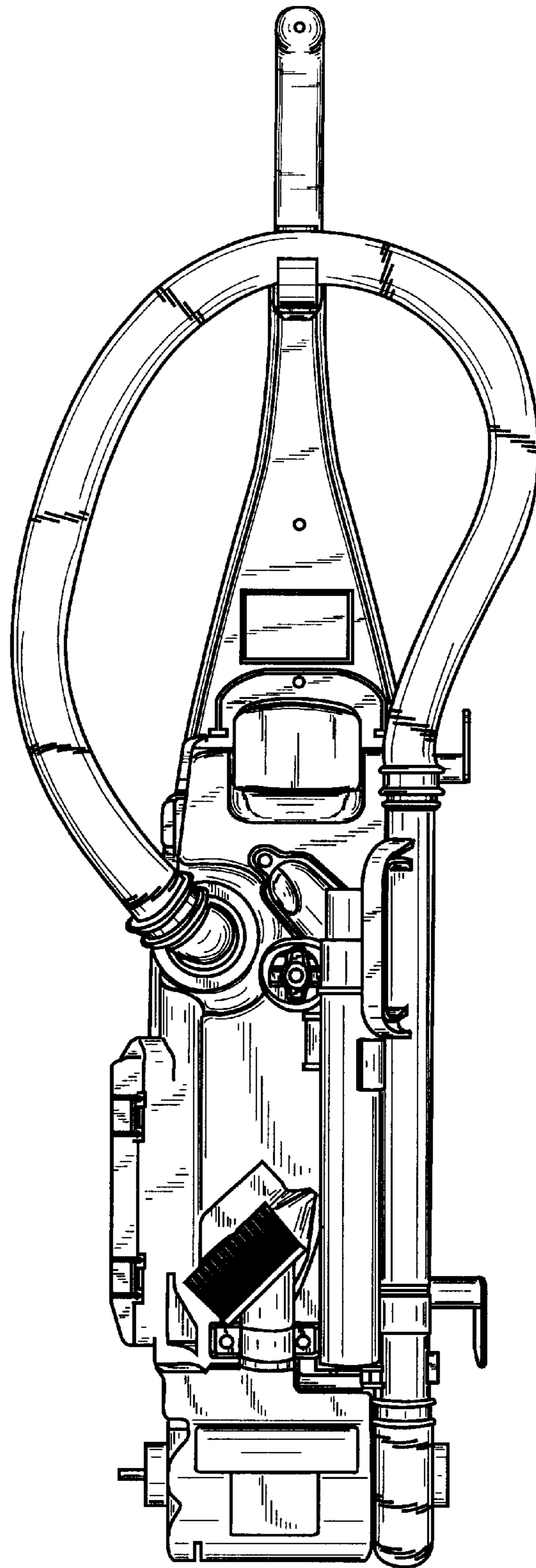


Fig. 3

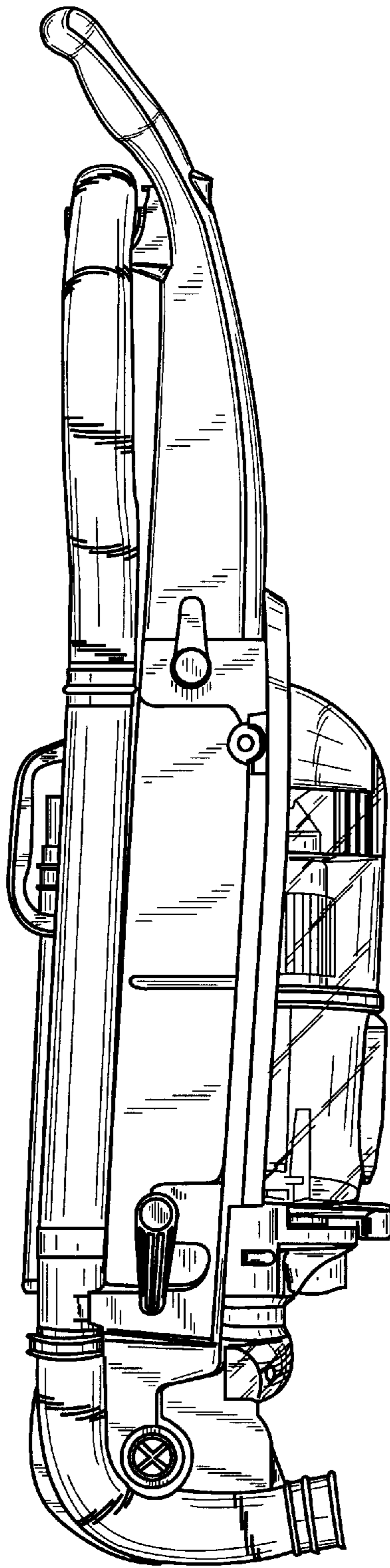


Fig. 4

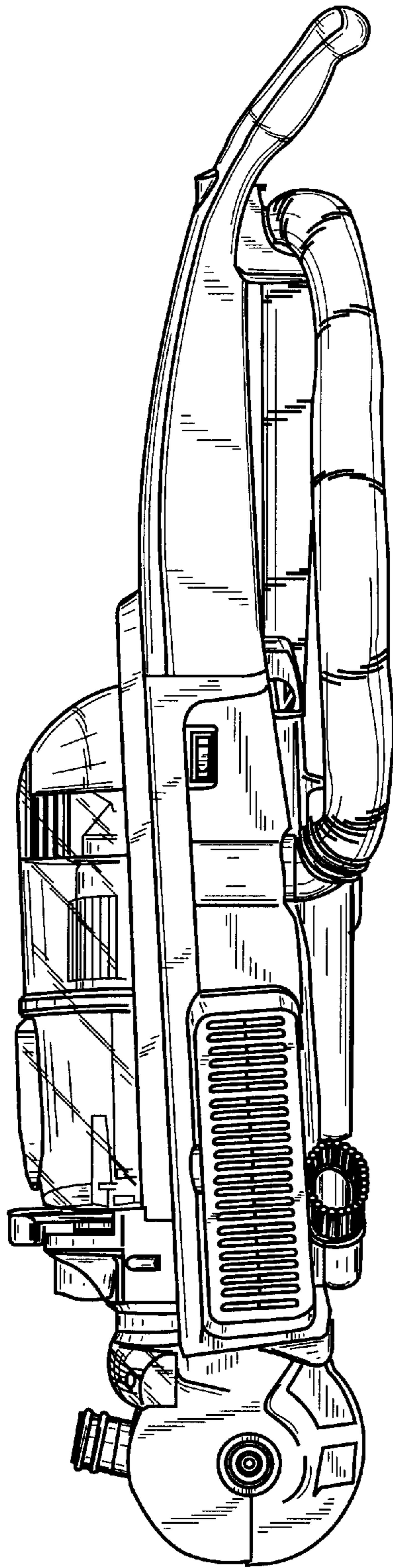


Fig. 5

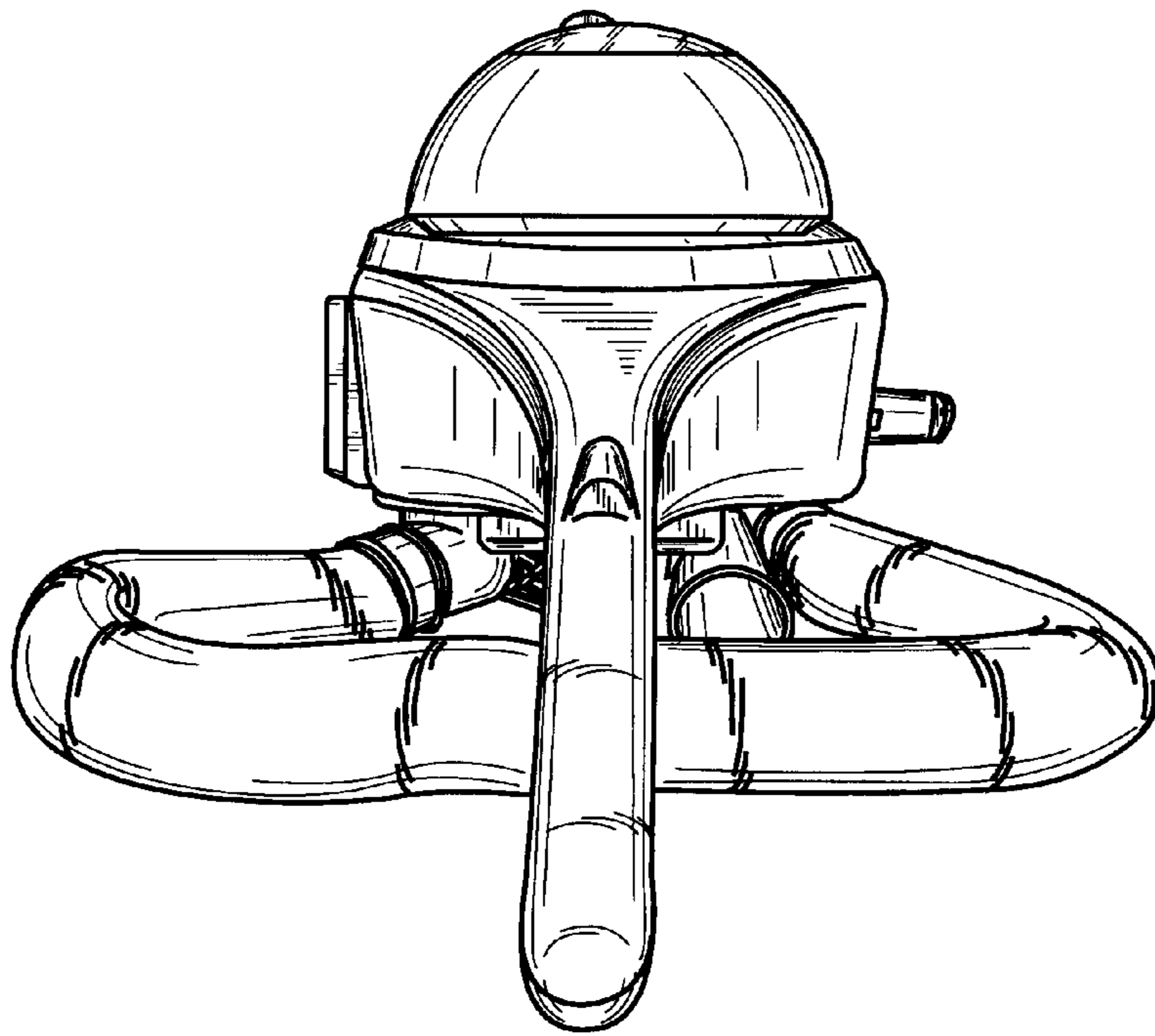


Fig. 6

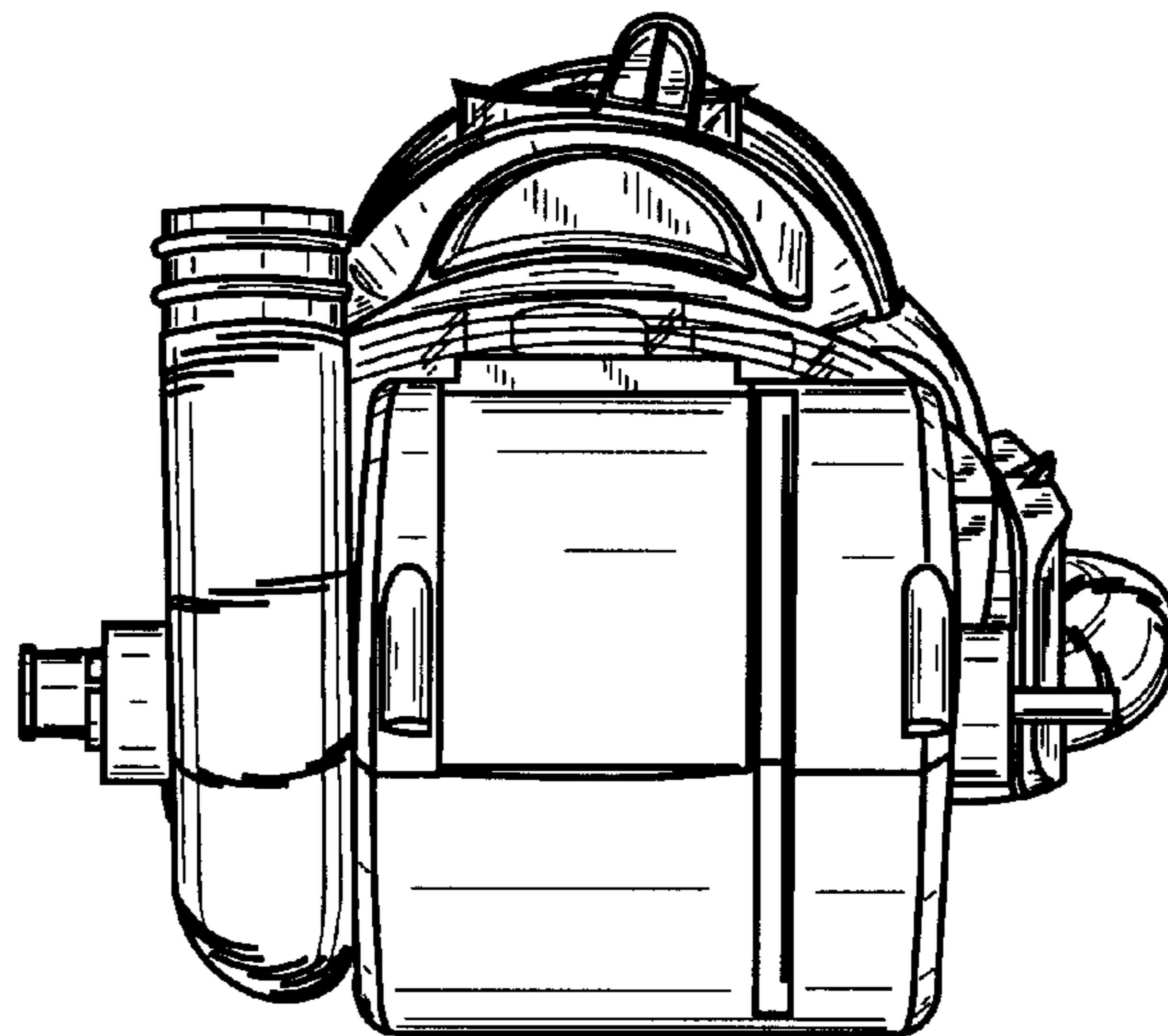


Fig. 7