



US00D462488S

(12) **United States Design Patent**
Santiago et al.

(10) **Patent No.:** **US D462,488 S**

(45) **Date of Patent:** **** Sep. 3, 2002**

(54) **EXTRACTION CLEANER**

(75) Inventors: **Jose Carlito Santiago; Kevin T. Downey**, both of Grand Rapids, MI (US)

(73) Assignee: **Bissell Homecare, Inc.**, Grand Rapids, MI (US)

(**) Term: **14 Years**

(21) Appl. No.: **29/150,515**

(22) Filed: **Nov. 14, 2001**

(51) **LOC (7) Cl.** **15-05**

(52) **U.S. Cl.** **D32/18; D32/21**

(58) **Field of Search** D32/17-18, 21-22, D32/25, 31, 34; 15/320-322, 329, 341, 344, 347, 350-353, 361, 410-411, 377, 323, DIG. 10, 414-422.1

(56) **References Cited**

U.S. PATENT DOCUMENTS

- D175,495 S * 9/1955 Conord D32/24
- D183,192 S * 7/1958 Anderson-Sason et al. .. D32/24
- D316,766 S 5/1991 Chi Ho
- D325,451 S 4/1992 Pino
- D340,556 S * 10/1993 Berfield et al. D32/1
- D341,009 S * 11/1993 Berfield et al. D32/1

- D352,146 S * 11/1994 Wulff D32/24
- D384,447 S * 9/1997 Lauer et al. D32/21
- D386,842 S 11/1997 Hoshino et al.
- D398,100 S 9/1998 Stephens et al.
- D418,643 S 1/2000 Hoshino
- D420,474 S 2/2000 Auburn
- D432,746 S * 10/2000 Frey D32/24
- D435,322 S 12/2000 DeBlasis et al.
- D443,119 S 5/2001 Sung
- D452,594 S * 12/2001 Rosa D32/21

* cited by examiner

Primary Examiner—Ruth McInroy

(74) *Attorney, Agent, or Firm*—McGarry Bair LLP

(57) **CLAIM**

The ornamental design for an extraction cleaner, as shown and described.

DESCRIPTION

FIG. 1 is a perspective view of an extraction cleaner showing our new design;

FIG. 2 is a front view thereof;

FIG. 3 is a back view thereof;

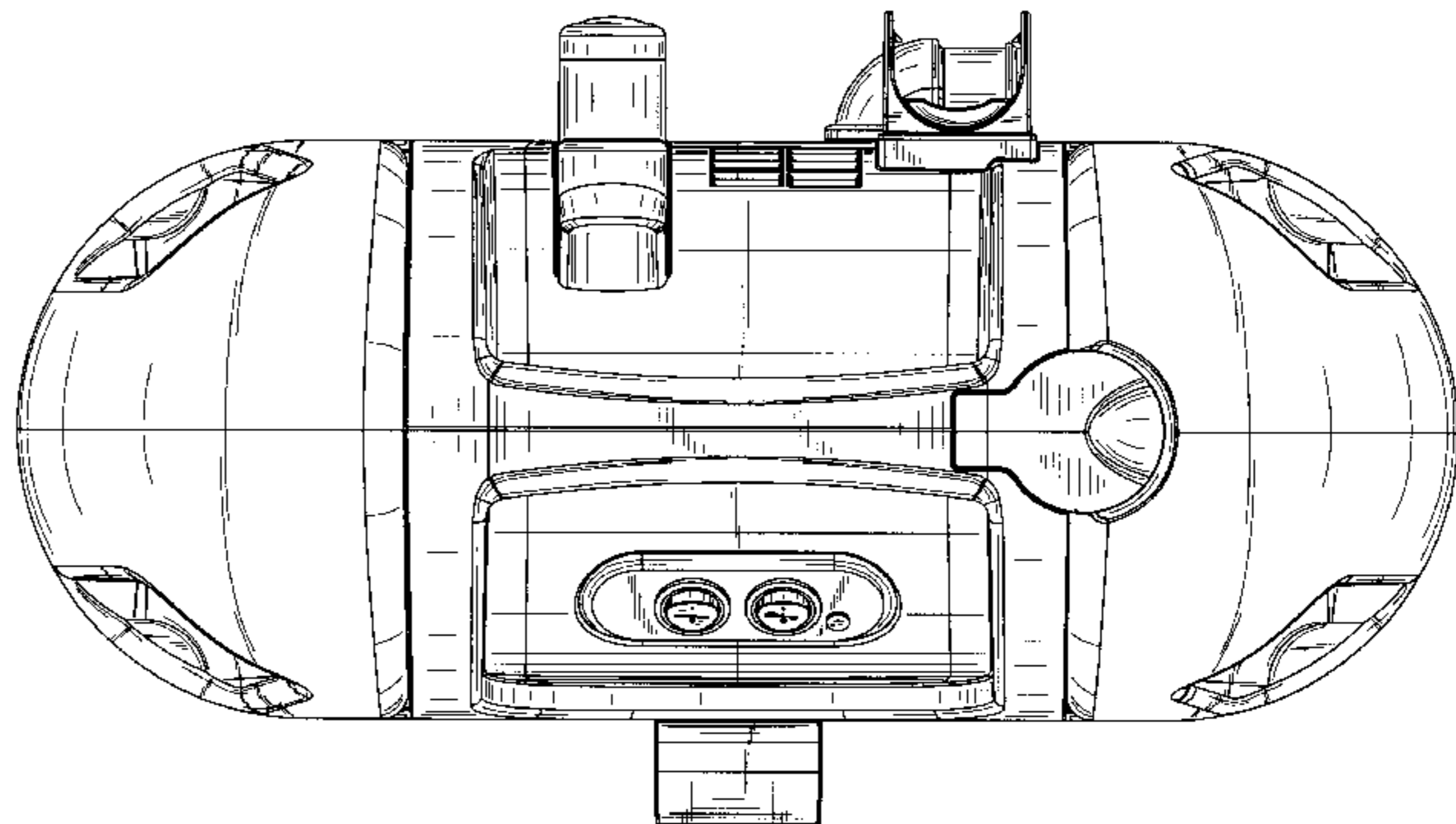
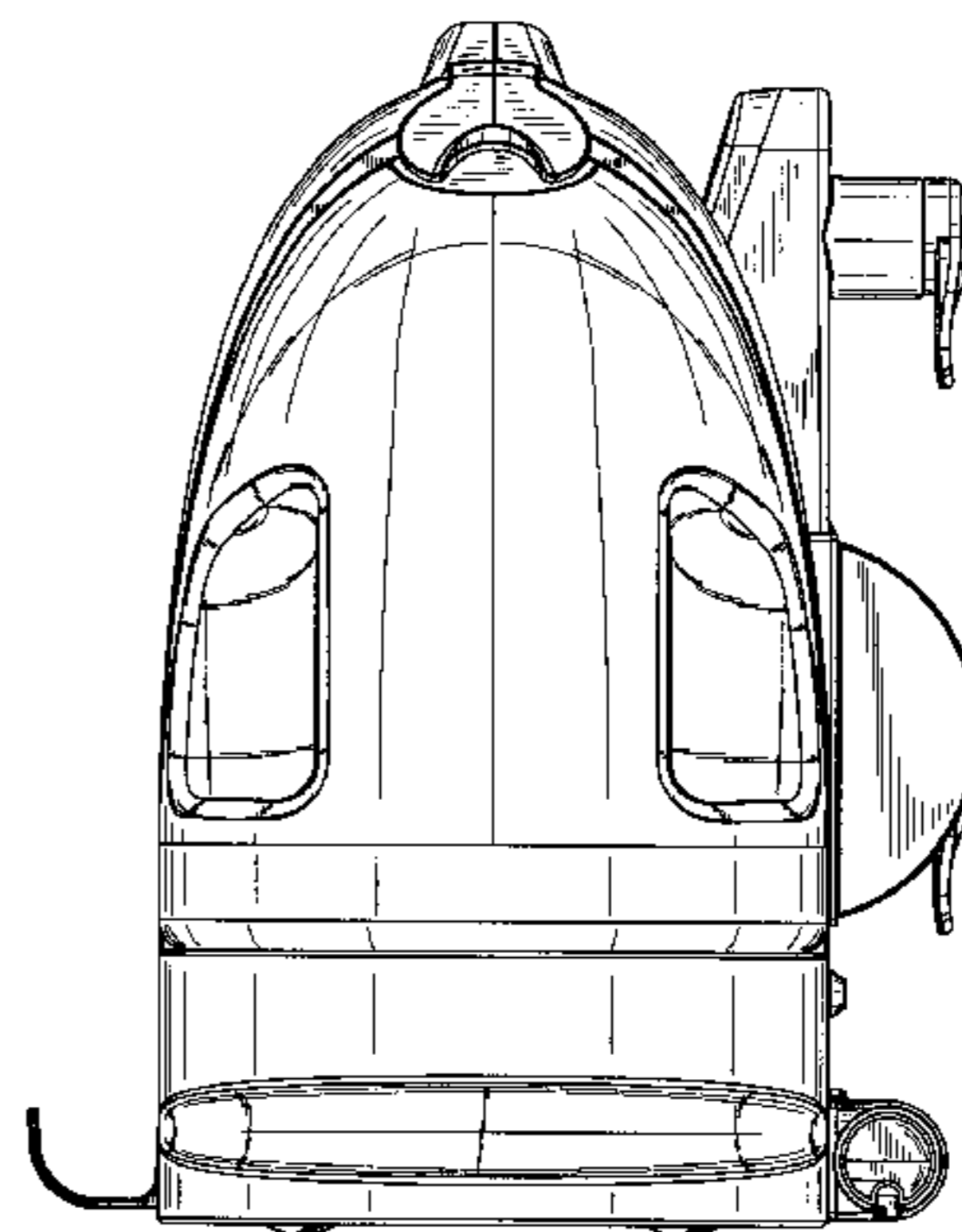
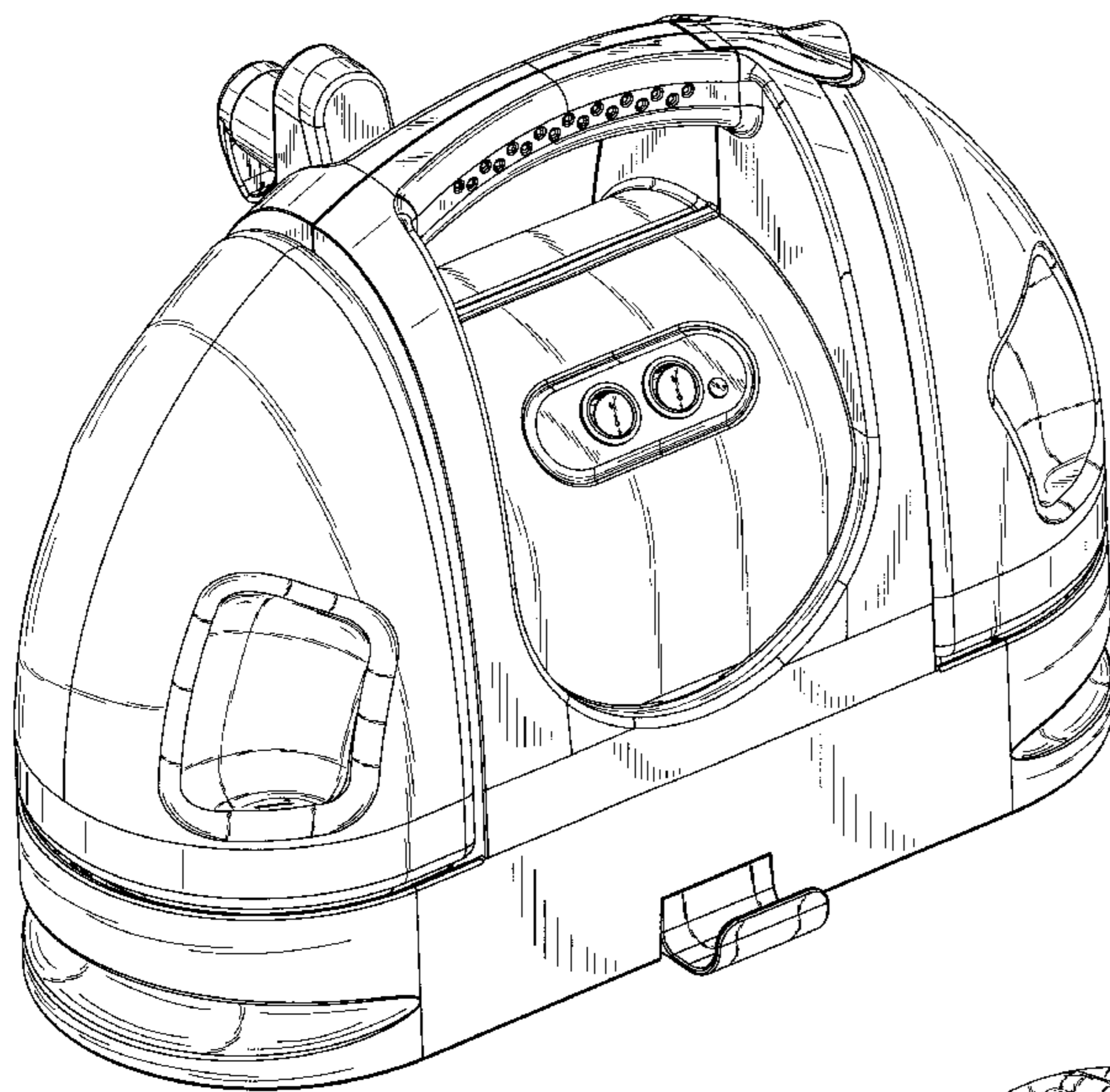
FIG. 4 is a right side view thereof;

FIG. 5 is a left side view thereof; and,

FIG. 6 is a top view thereof.

The bottom is unornamented.

1 Claim, 5 Drawing Sheets



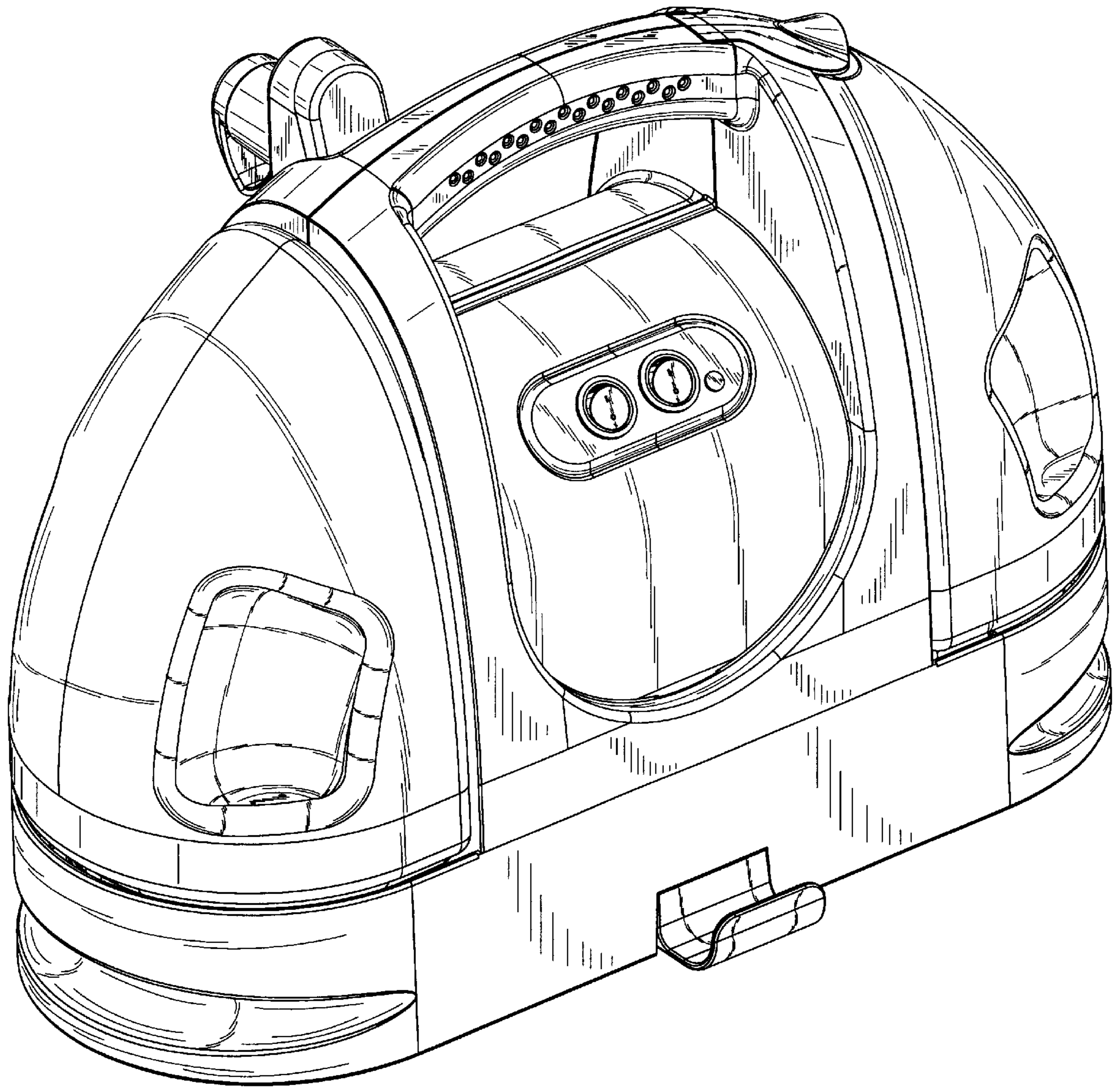


Fig. 1

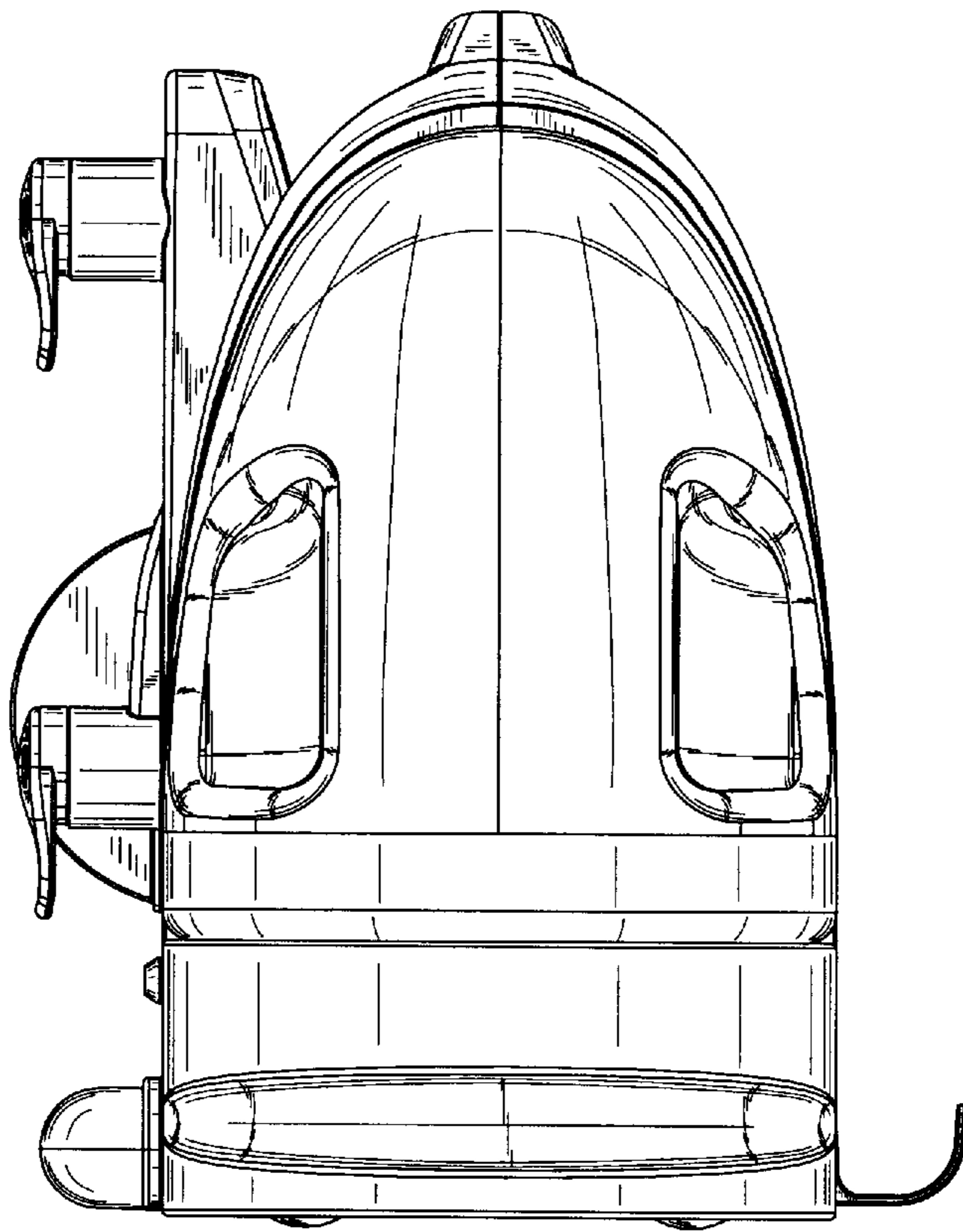


Fig. 2

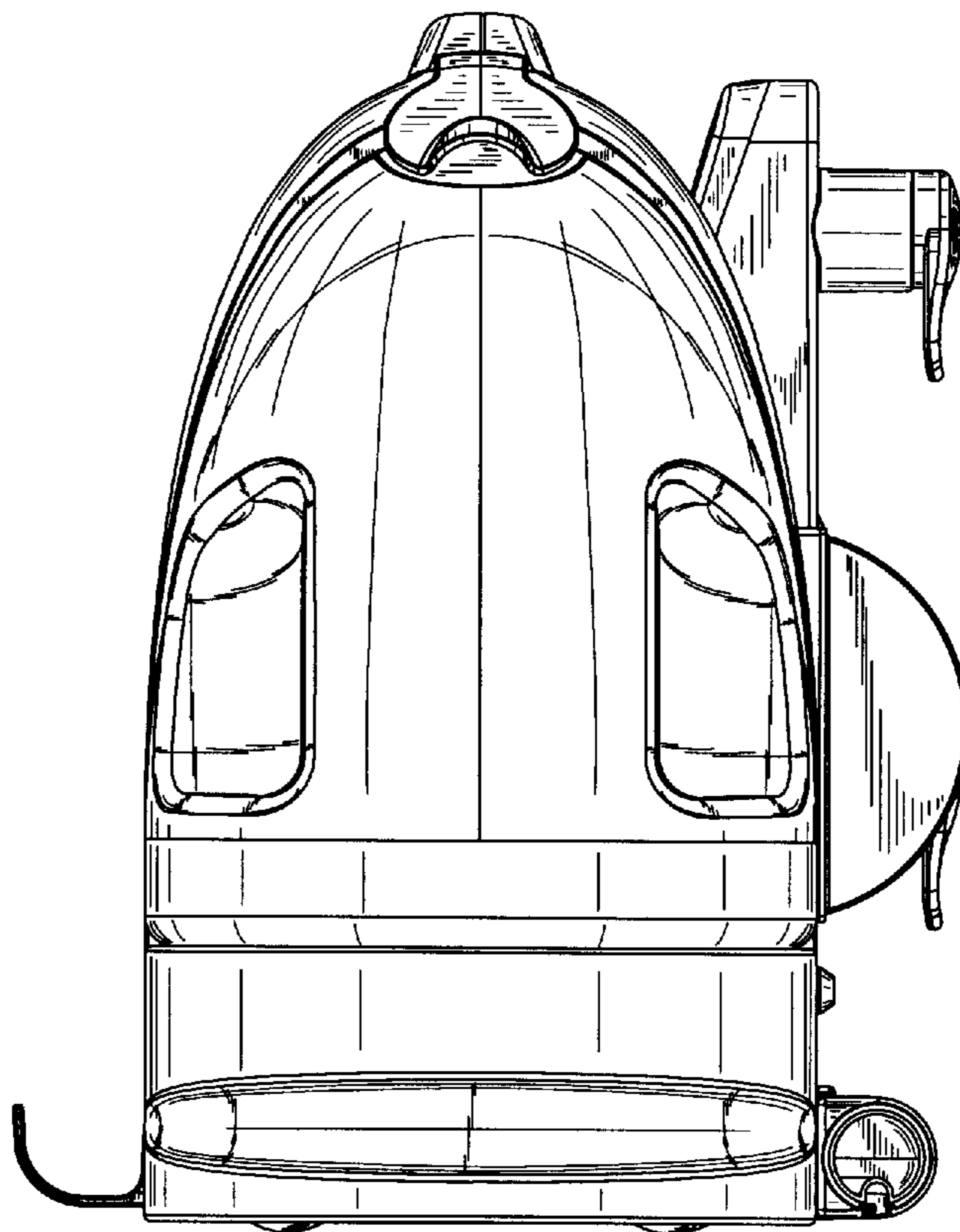


Fig. 3

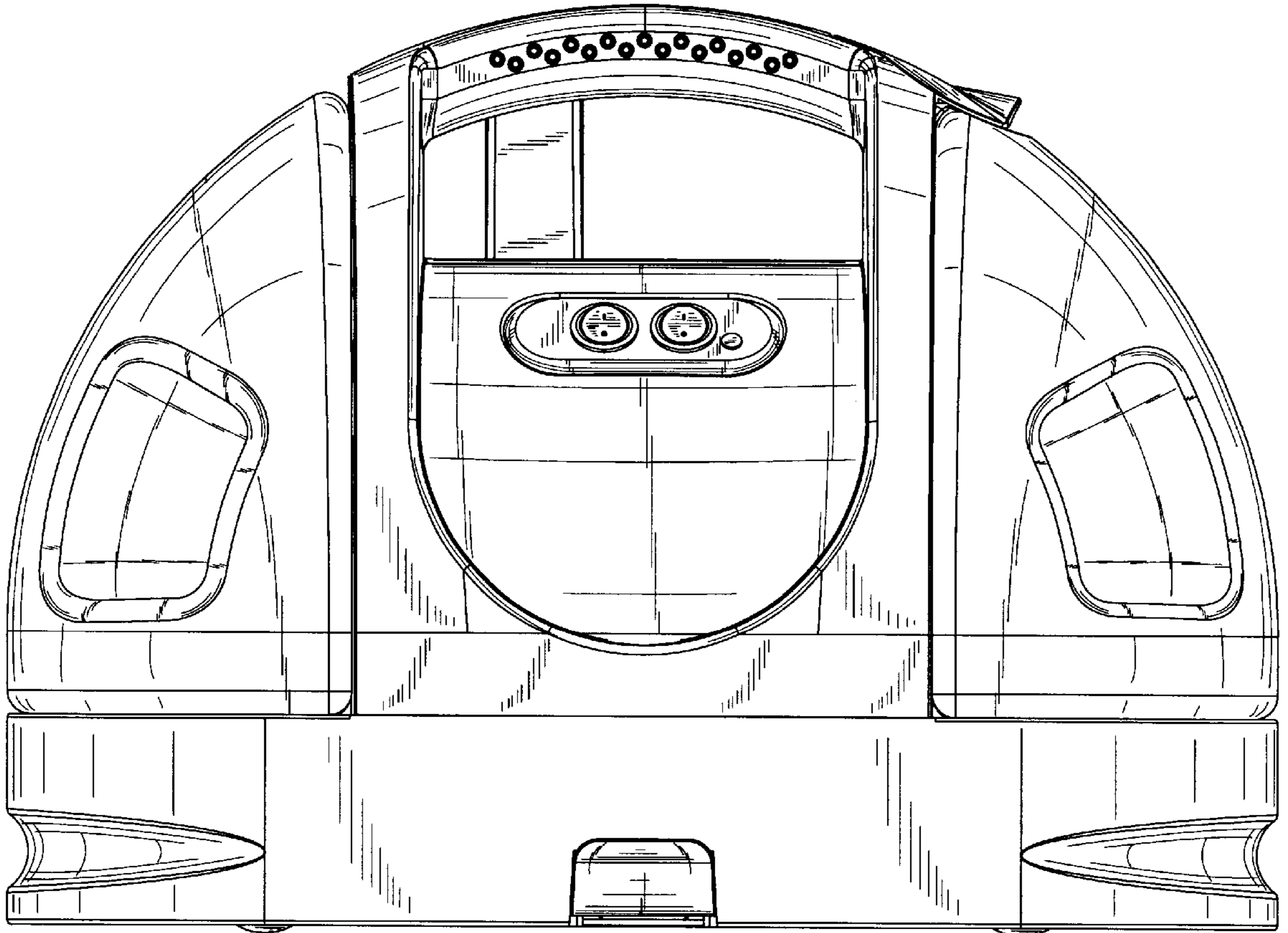


Fig. 4

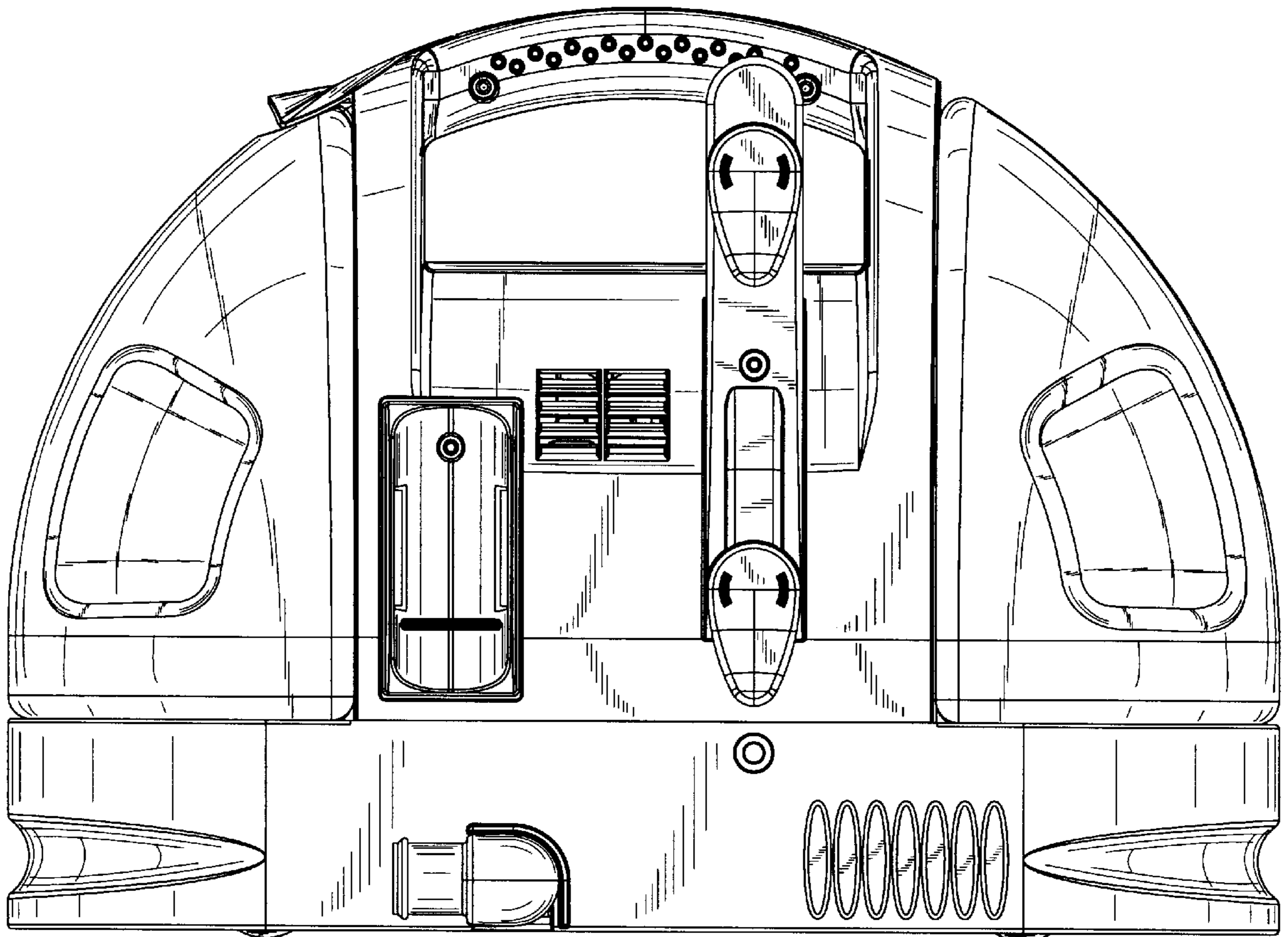


Fig. 5

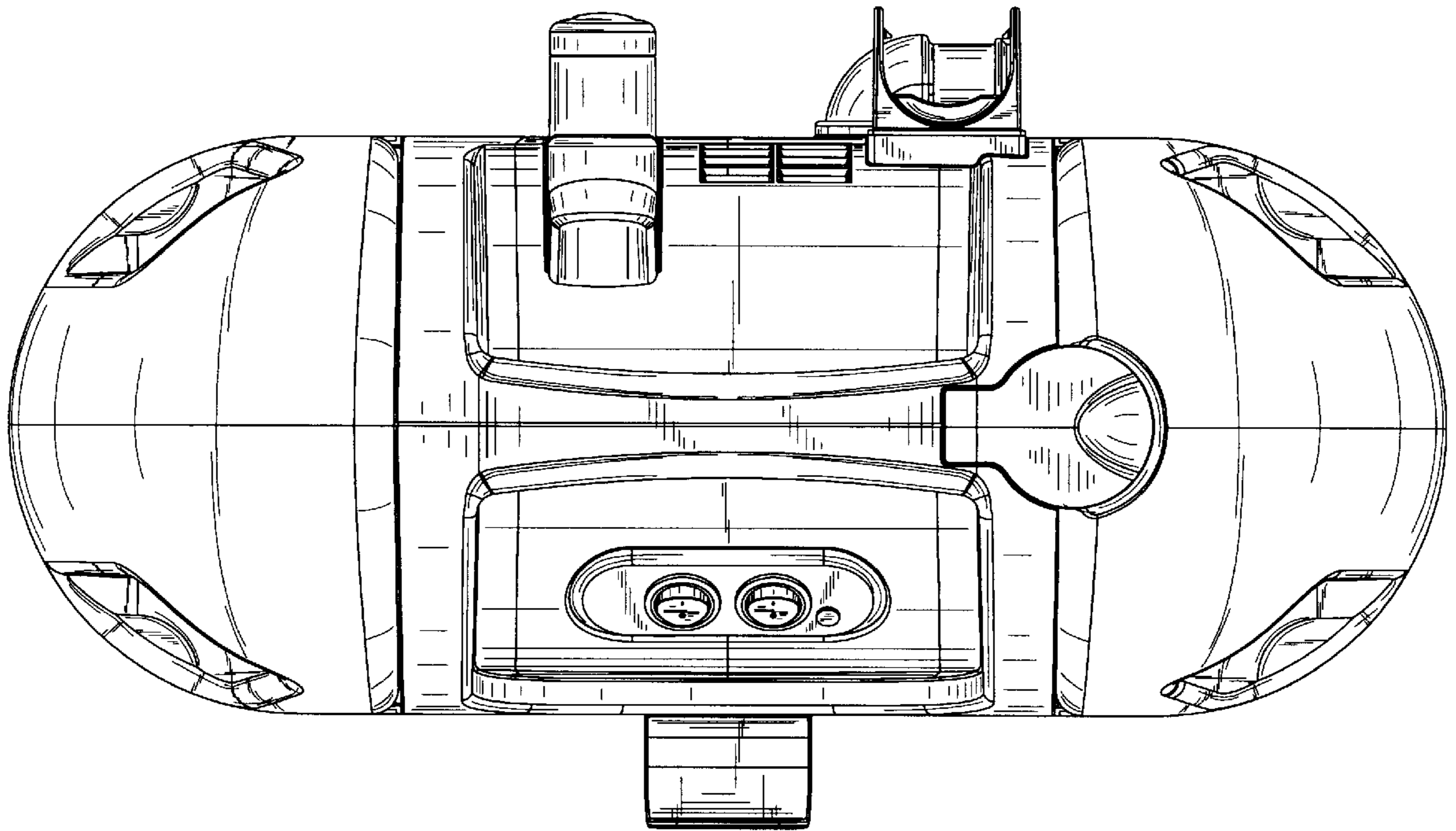


Fig. 6