



US00D462486S

(12) **United States Design Patent**
Razor

(10) **Patent No.:** **US D462,486 S**

(45) **Date of Patent:** **** Sep. 3, 2002**

(54) **BIRD FEEDER**

(76) **Inventor:** **Kim A. Razor**, R.R. 2, Box 255AA,
Rockville, IN (US) 47872

(**) **Term:** **14 Years**

(21) **Appl. No.:** **29/137,852**

(22) **Filed:** **Feb. 28, 2001**

(51) **LOC (7) Cl.** **30-03**

(52) **U.S. Cl.** **D30/126**

(58) **Field of Search** D30/108, 110,
D30/111, 112, 121, 124, 126; 119/52.2,
52.3, 53, 57.8, 57.9, 51.01, 428, 429

(56) **References Cited**

U.S. PATENT DOCUMENTS

D353,231 S	*	12/1994	MacDonald	D30/124
D359,146 S	*	6/1995	Finch	D30/121
5,829,382 A	*	11/1998	Garrison	119/52.2
D426,683 S	*	6/2000	Rogers	D30/124

* cited by examiner

Primary Examiner—Pamela Burgess

(74) *Attorney, Agent, or Firm*—Woodward, Emhardt,
Naughton, Moriarty & McNett

(57) **CLAIM**

The ornamental design for a bird feeder, as shown and described.

DESCRIPTION

FIG. 1 is a front view of the bird feeder, incorporating my new design;

FIG. 2 is a left end view with the right end view being a mirror image thereof;

FIG. 3 is a rear view;

FIG. 4 is a top view;

FIG. 5 is a bottom view;

FIG. 6 is a cross sectional view taken along the line 6—6 of FIG. 4 and viewed in the direction of the arrows;

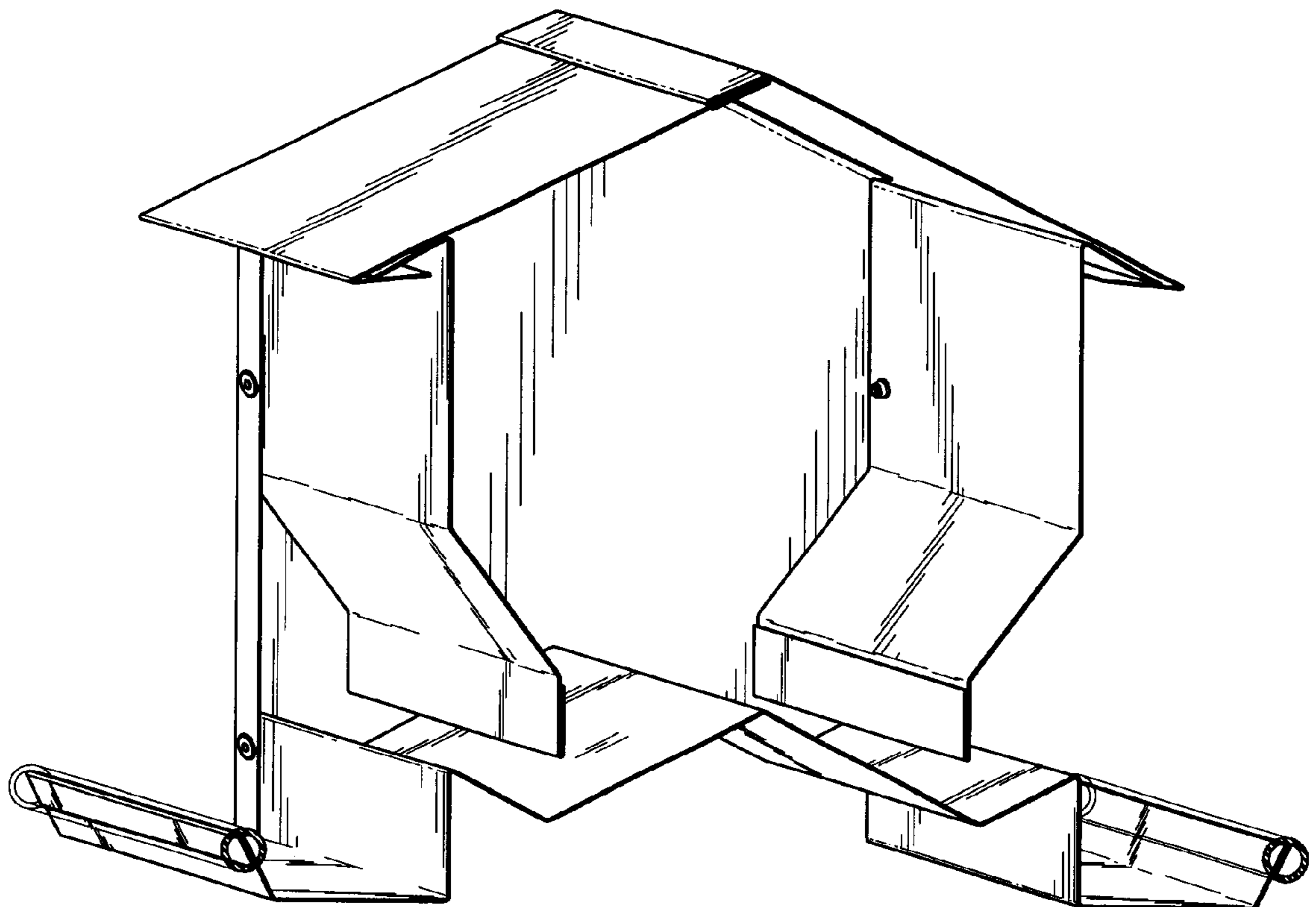
FIG. 7 is an enlarged view of the portion of the bird feeder enclosed by circle 7 of FIG. 6;

FIG. 8 is an enlarged view of the portion of the bird feeder enclosed by circle 8 of FIG. 6; and,

FIG. 9 is a perspective view of the bird feeder cross sectioned in FIG. 6.

The broken lines shown in FIGS. 1, 2 and 3 are for illustrative purposes only and form no part of the claimed design.

1 Claim, 7 Drawing Sheets



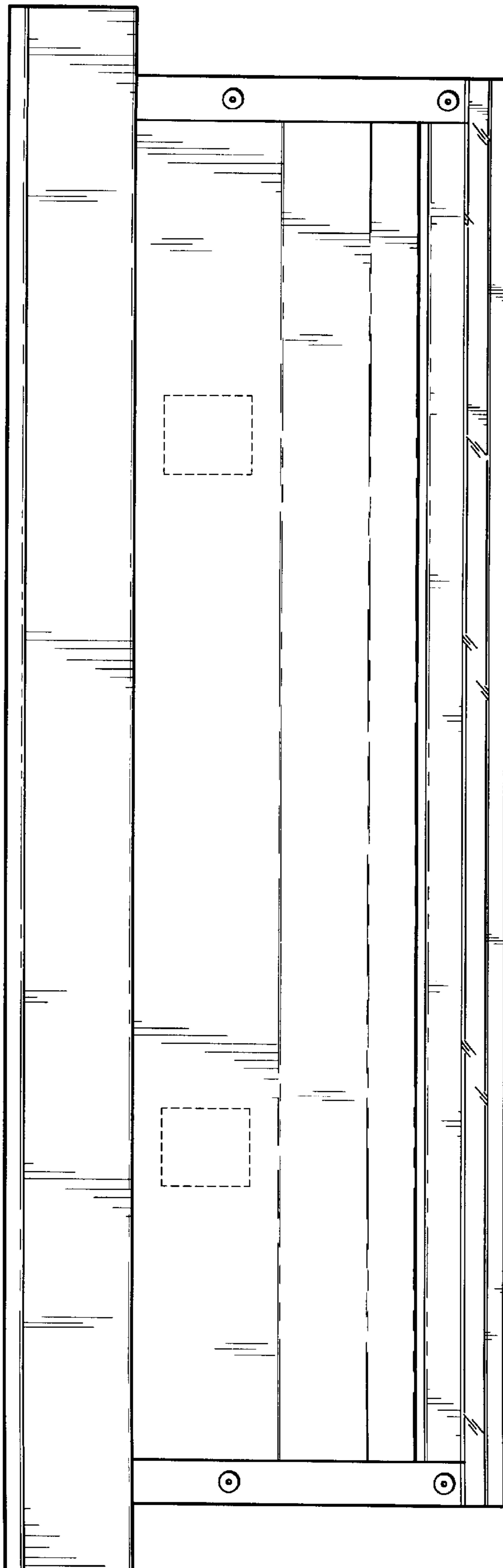


Fig. 1

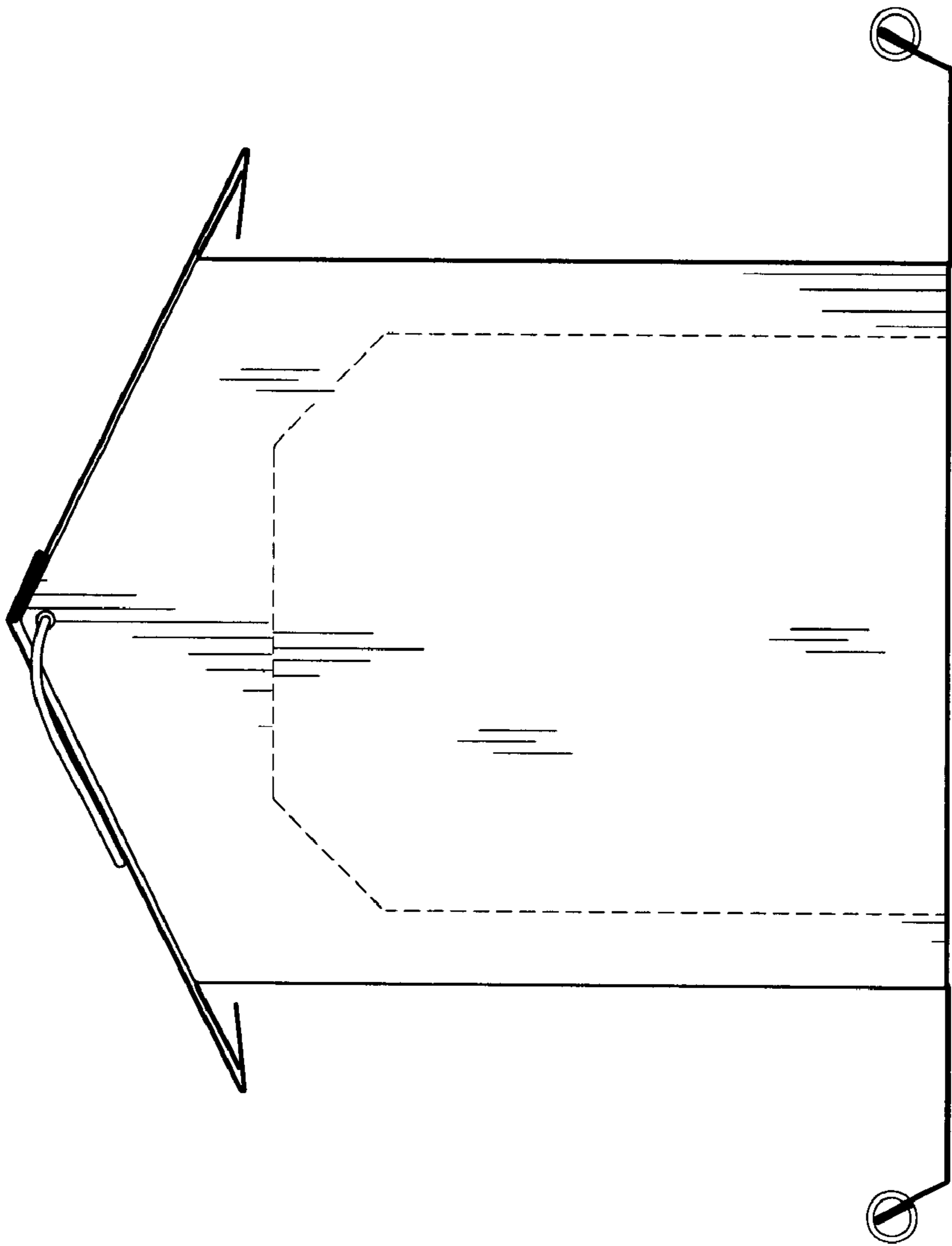


Fig. 2

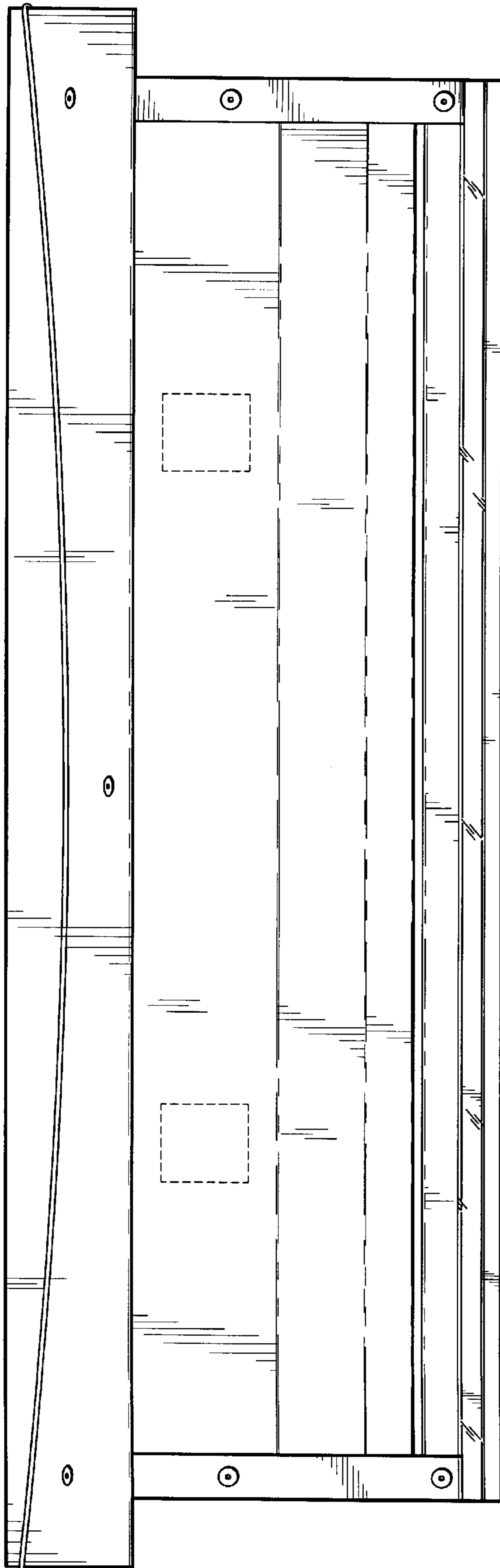


Fig. 3

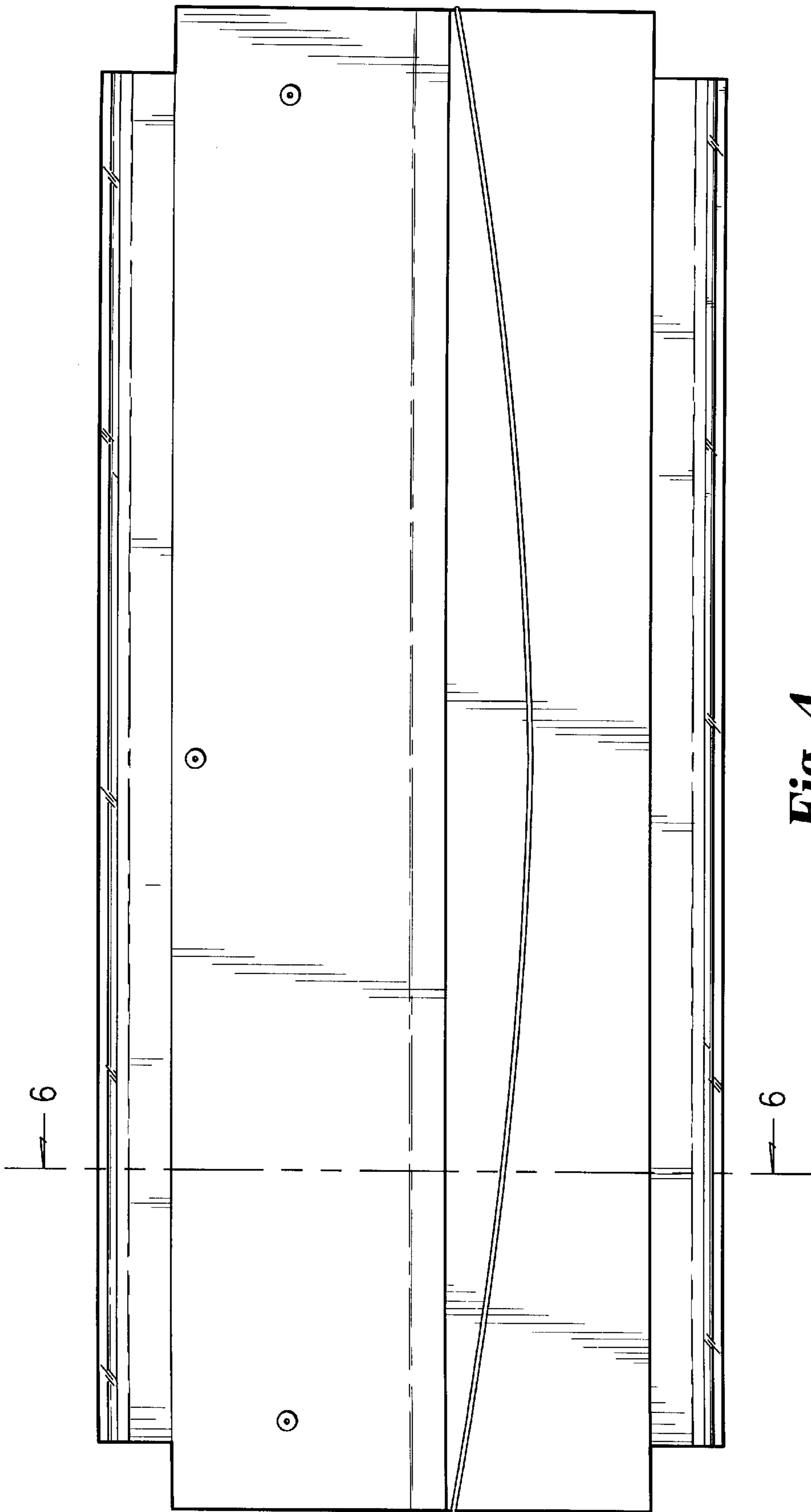


Fig. 4

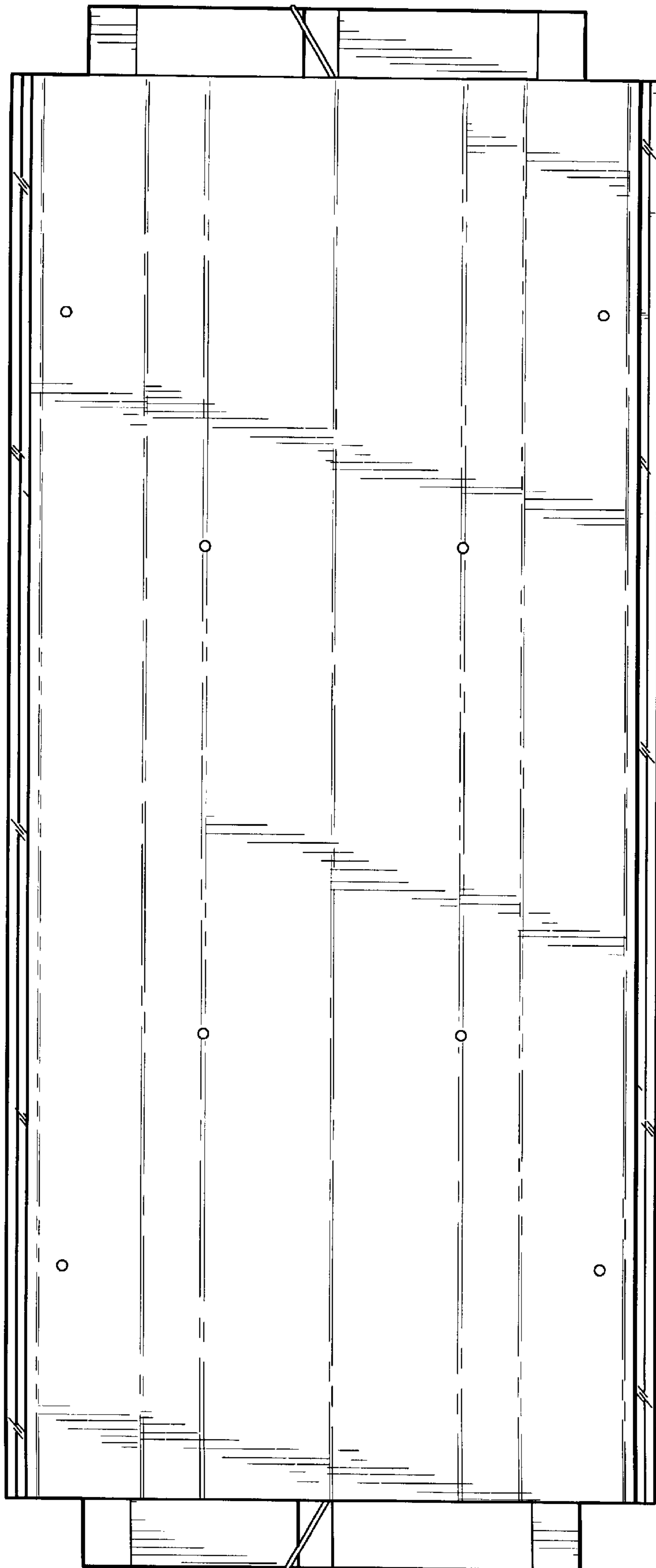


Fig. 5

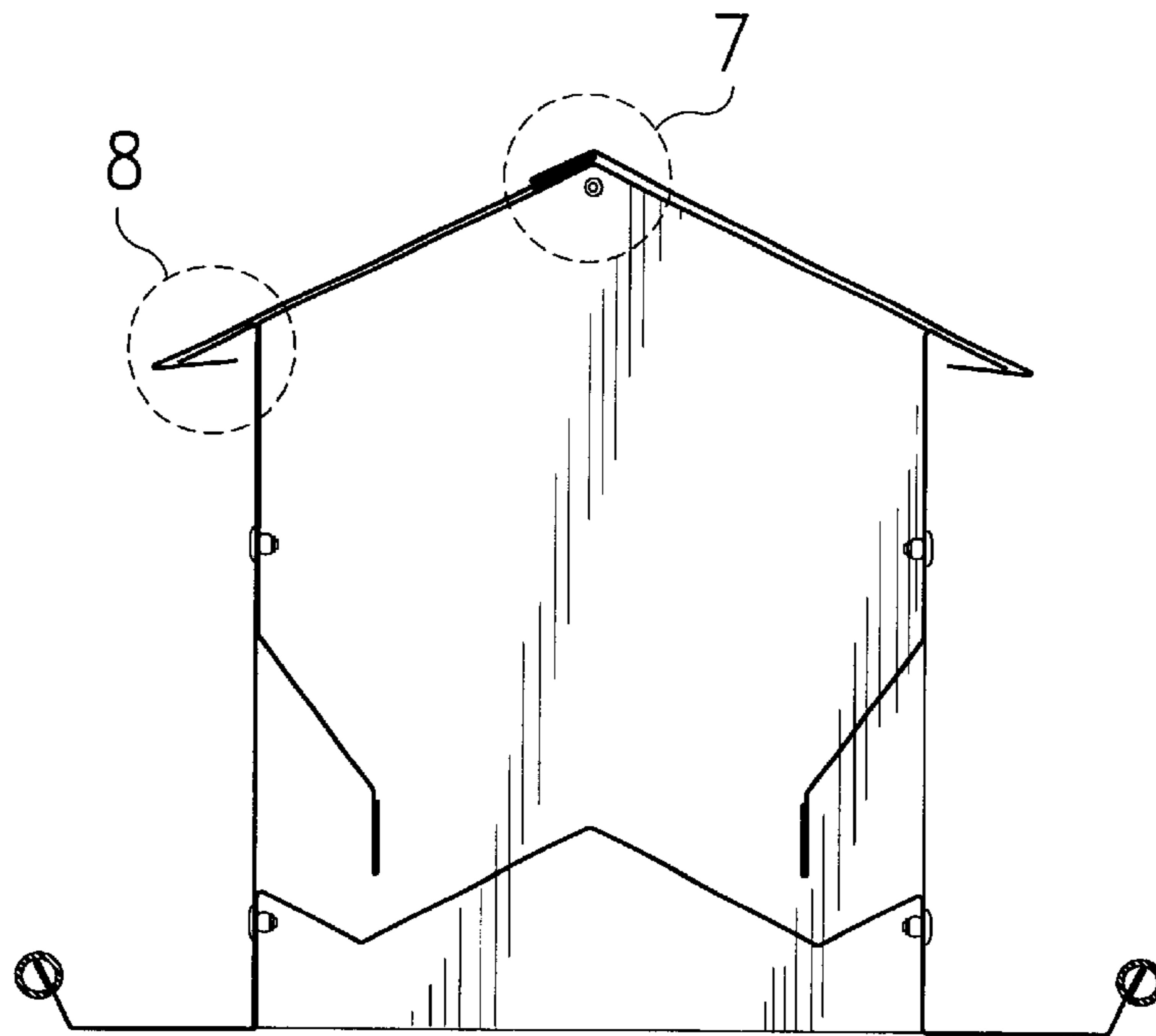


Fig. 6

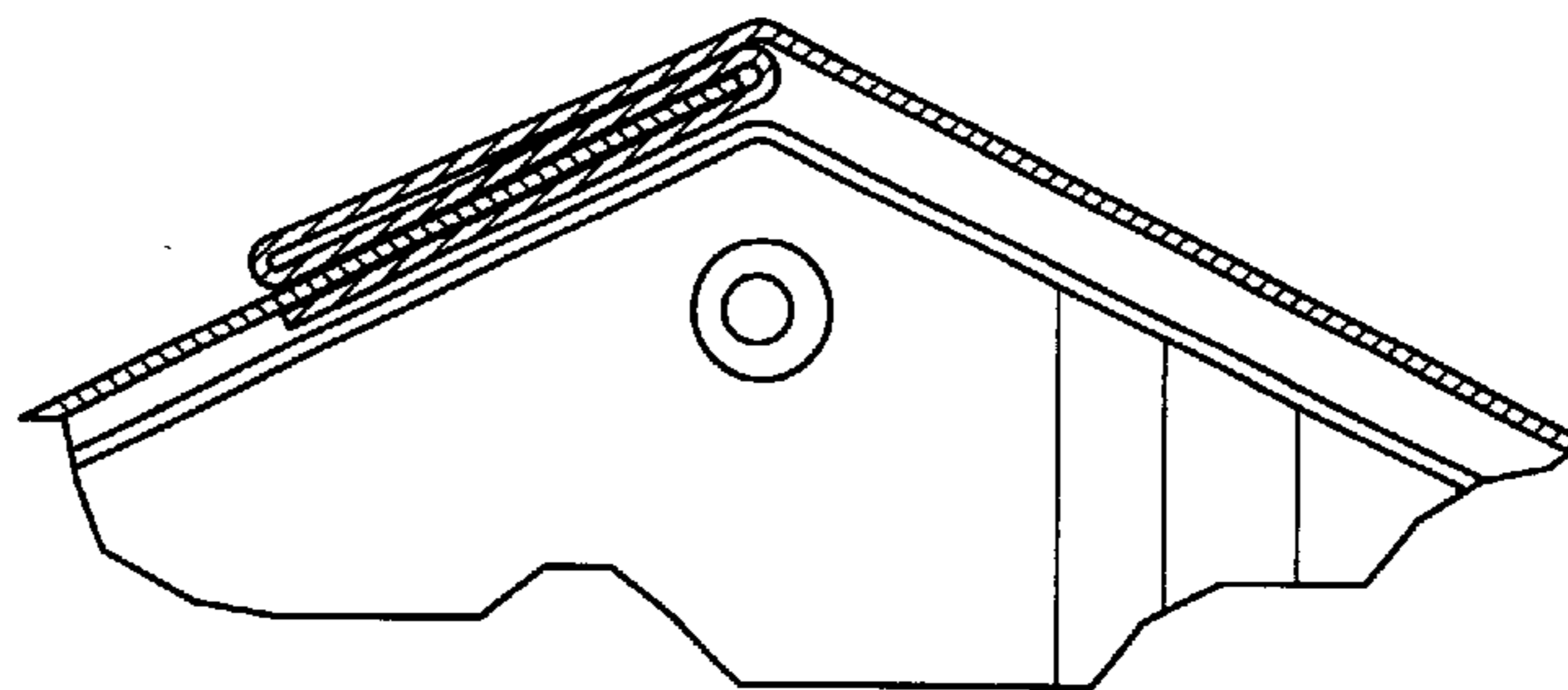


Fig. 7

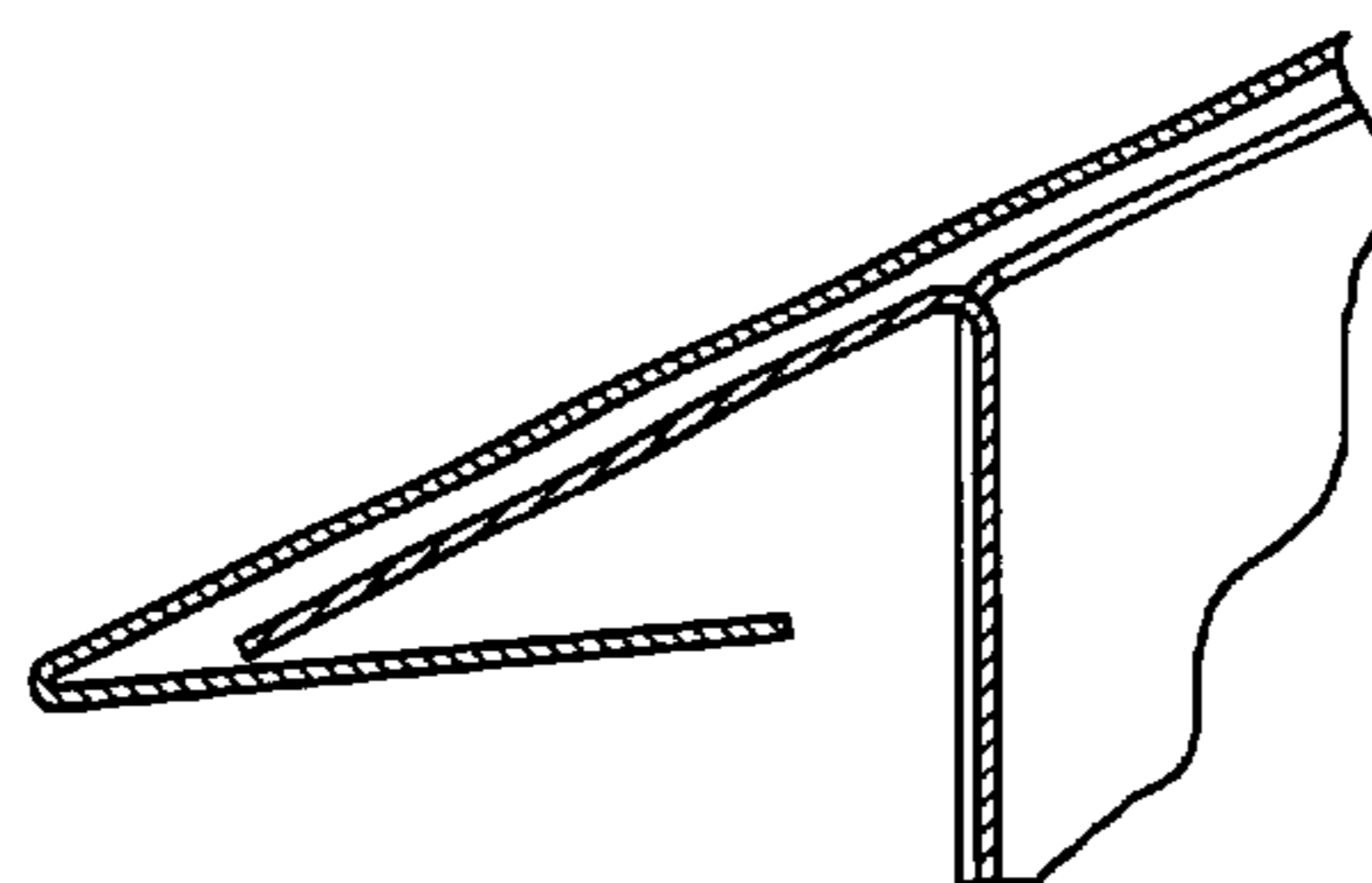


Fig. 8

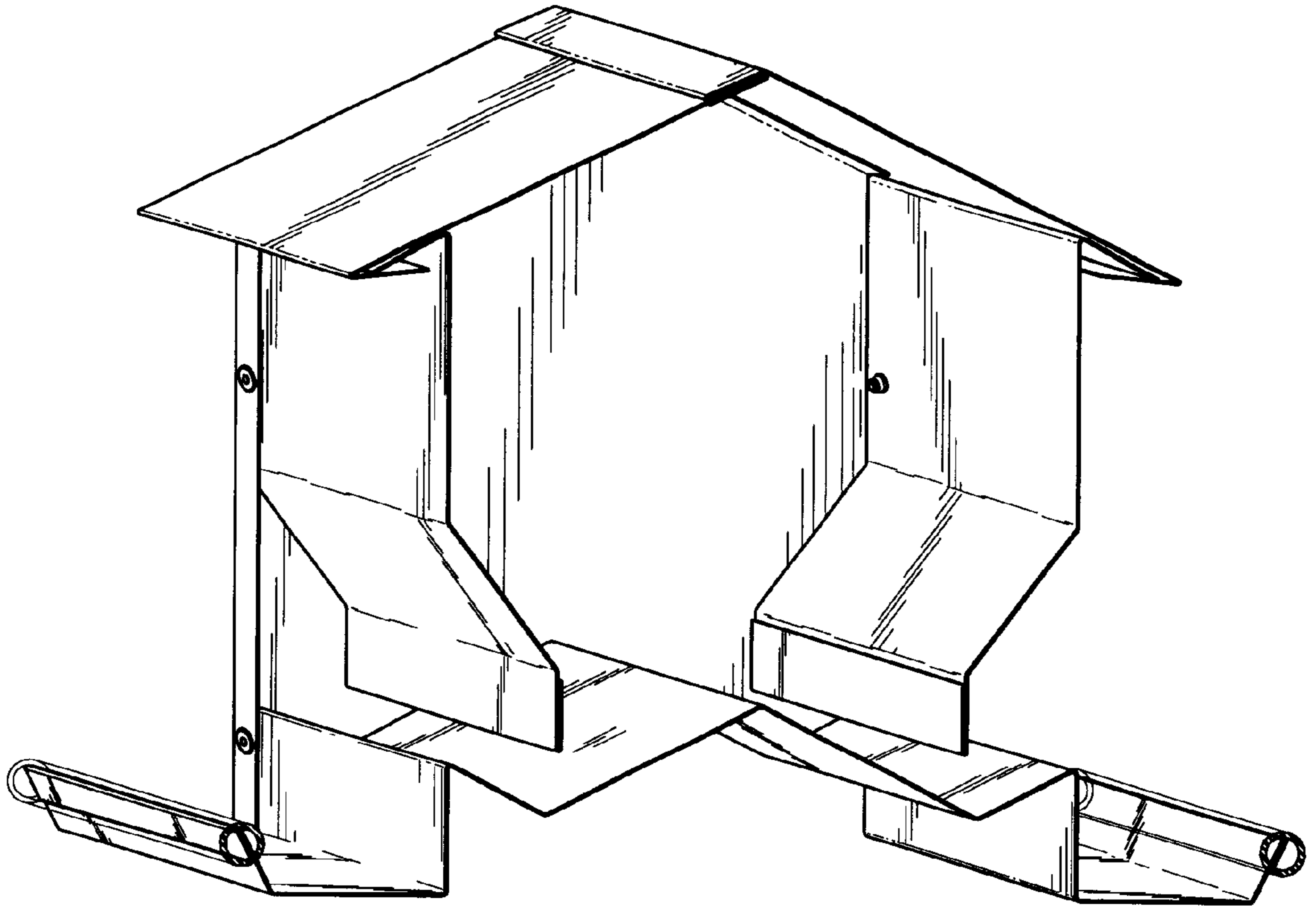


Fig. 9