



US00D462484S

(12) **United States Design Patent**  
**Lai**

(10) **Patent No.:** **US D462,484 S**

(45) **Date of Patent:** **\*\* Sep. 3, 2002**

(54) **COSMETIC CASING**

D443,137 S \* 6/2001 Lai ..... D3/295  
D444,596 S \* 7/2001 Lai ..... D28/82

(75) **Inventor:** **Chin Chun Lai, Chong Ho (TW)**

**FOREIGN PATENT DOCUMENTS**

(73) **Assignee:** **Chao Ling Chemical Industry Co., Ltd., Taipei Hsien (TW)**

FR 1259423 \* 3/1961 ..... 220/528  
JP 714274 \* 2/1983

(\*\*) **Term:** **14 Years**

**OTHER PUBLICATIONS**

(21) **Appl. No.:** **29/152,607**

Hong Knog Enterprise Oct. 1995, p. 790: item Nos. 9018A, 9004, 9029, 9053, 9052B and 9052.\*

(22) **Filed:** **Dec. 19, 2001**

\* cited by examiner

(51) **LOC (7) Cl.** ..... **28-03**

*Primary Examiner*—Ted Shooman

(52) **U.S. Cl.** ..... **D28/78**

*Assistant Examiner*—C Tuttle

(58) **Field of Search** ..... D28/73, 76-84;  
D9/341, 347, 420, 423; D3/273-275, 294-297,  
901; 132/286, 293-307, 314-318; 206/235,  
581, 823; 220/DIG. 26, 4.26, 4.27, 23.88

(57) **CLAIM**

The ornamental design for a cosmetic casing, as shown and described.

(56) **References Cited**

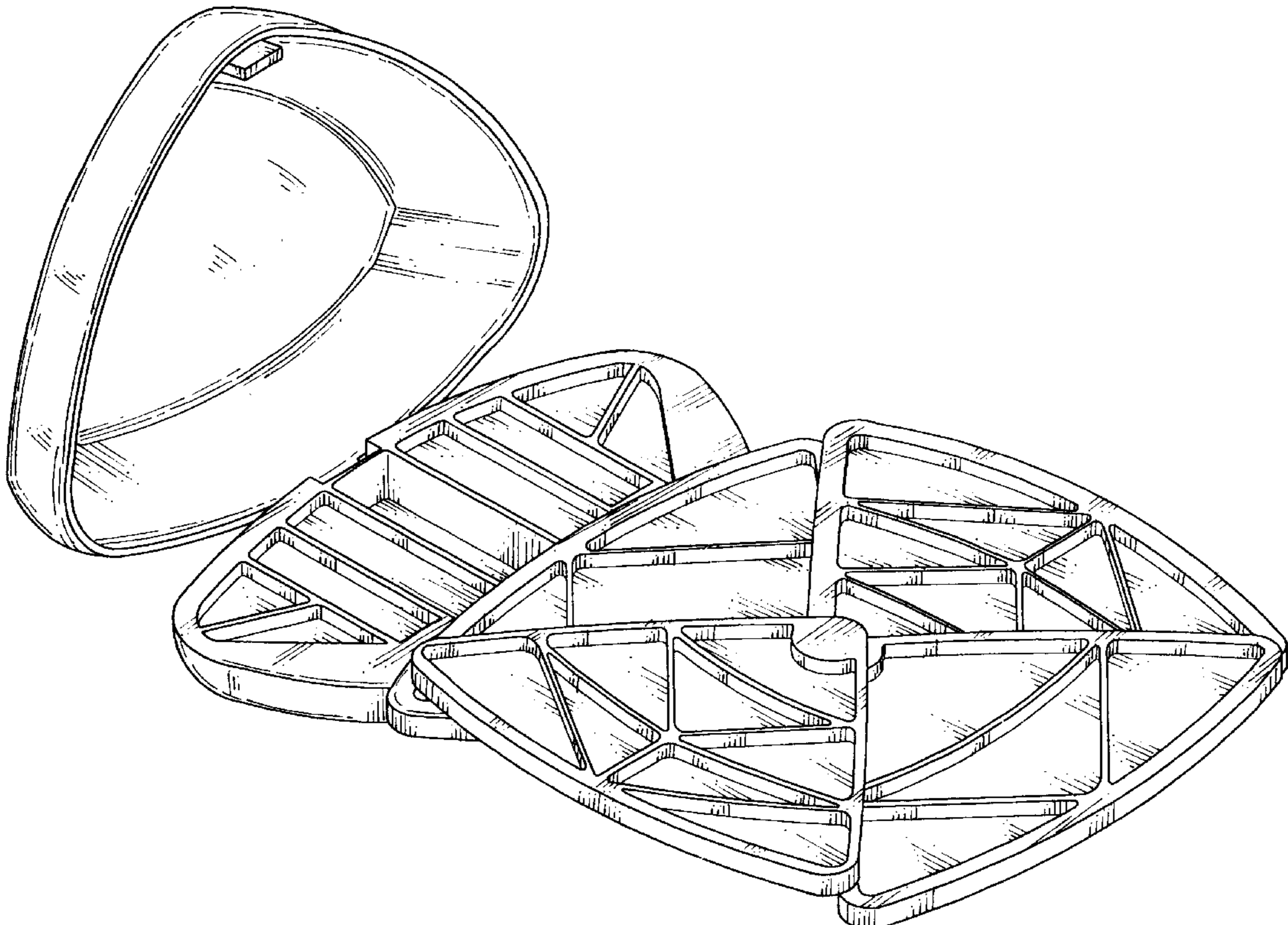
**DESCRIPTION**

**U.S. PATENT DOCUMENTS**

D70,022 S	*	4/1926	Marcus	.....	D28/78
D299,561 S	*	1/1989	Bakic	.....	D28/78
D303,581 S	*	9/1989	Bakic	.....	D28/78
D316,763 S	*	5/1991	Ferrari	.....	D28/83
D337,179 S	*	7/1993	Faure	.....	D28/83
D344,817 S	*	3/1994	Chen	.....	D28/82
D350,625 S	*	9/1994	Shen	.....	D28/82
D355,486 S	*	2/1995	Ikeda	.....	D28/78 X
D363,569 S	*	10/1995	Lai	.....	D28/82
D426,029 S	*	5/2000	Lai	.....	D28/82

FIG. 1 is a perspective view of a cosmetic casing showing my new design;  
FIG. 2 is a front elevational view thereof;  
FIG. 3 is a rear elevational view thereof;  
FIG. 4 is an enlarged scale top plan view;  
FIG. 5 is a bottom plan view thereof;  
FIG. 6 is a left side elevational view shown on the same scale as FIGS. 1-3; and,  
FIG. 7 is a right side elevational view thereof.

**1 Claim, 4 Drawing Sheets**



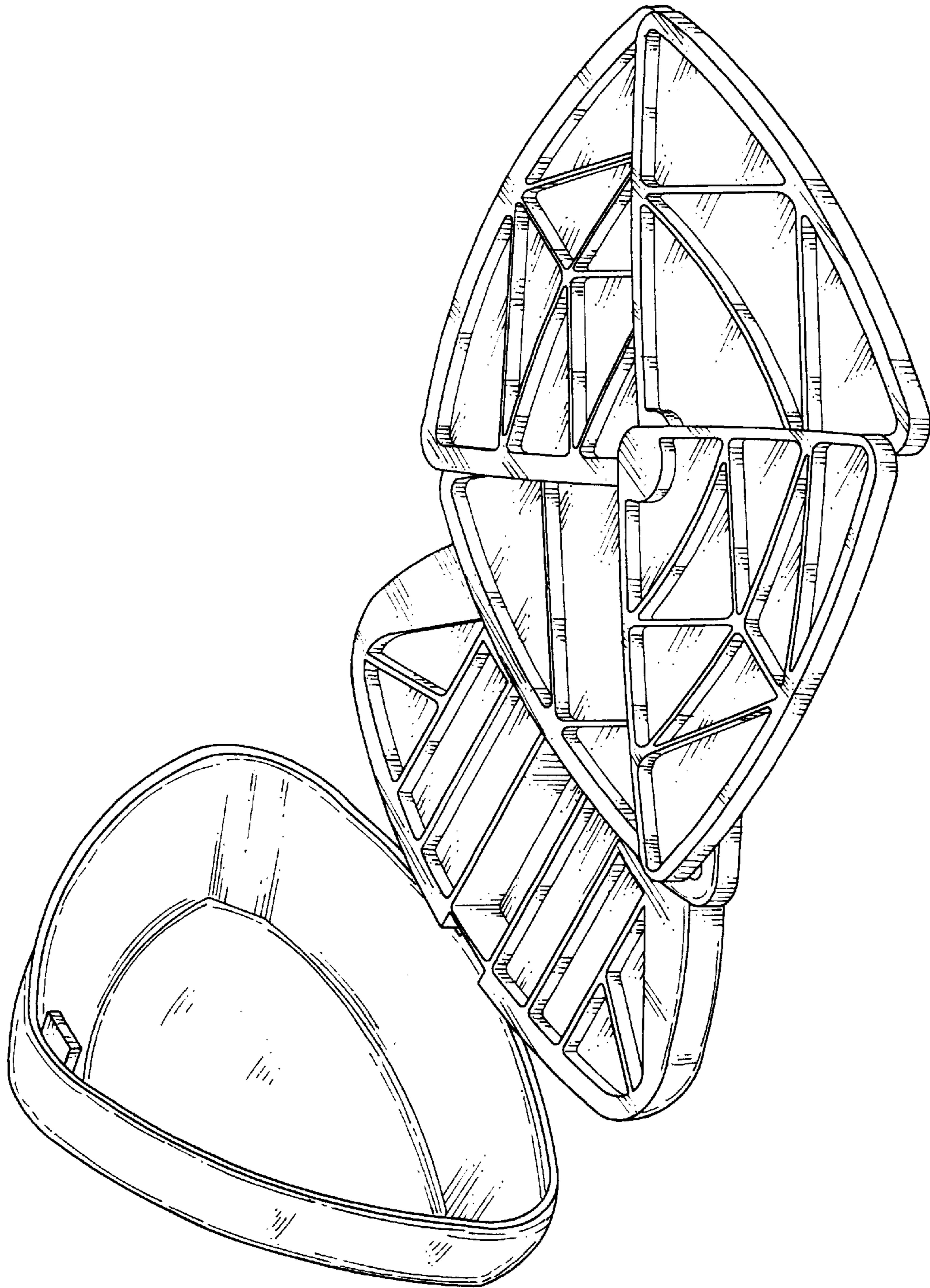


FIG. 1

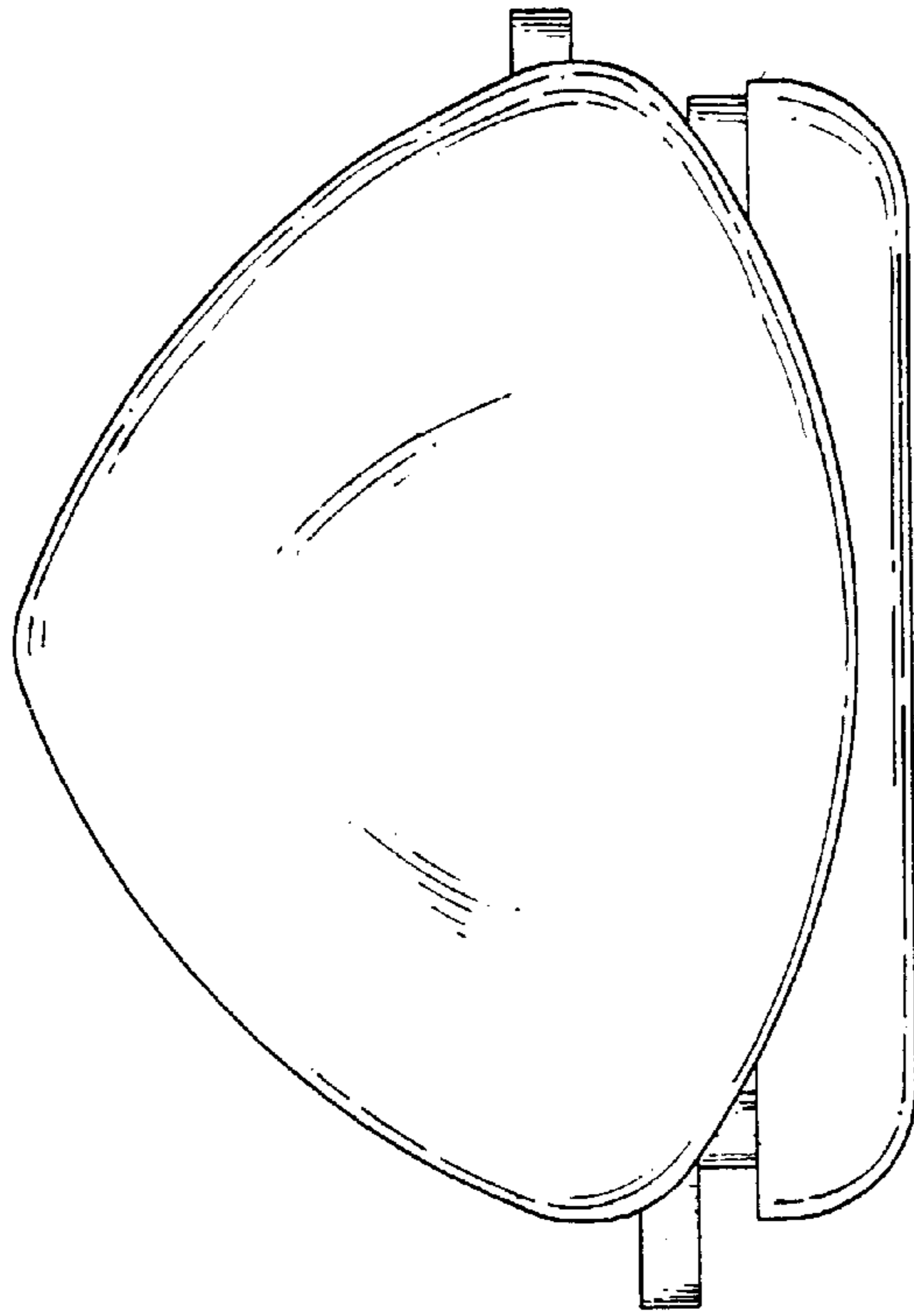


FIG. 3

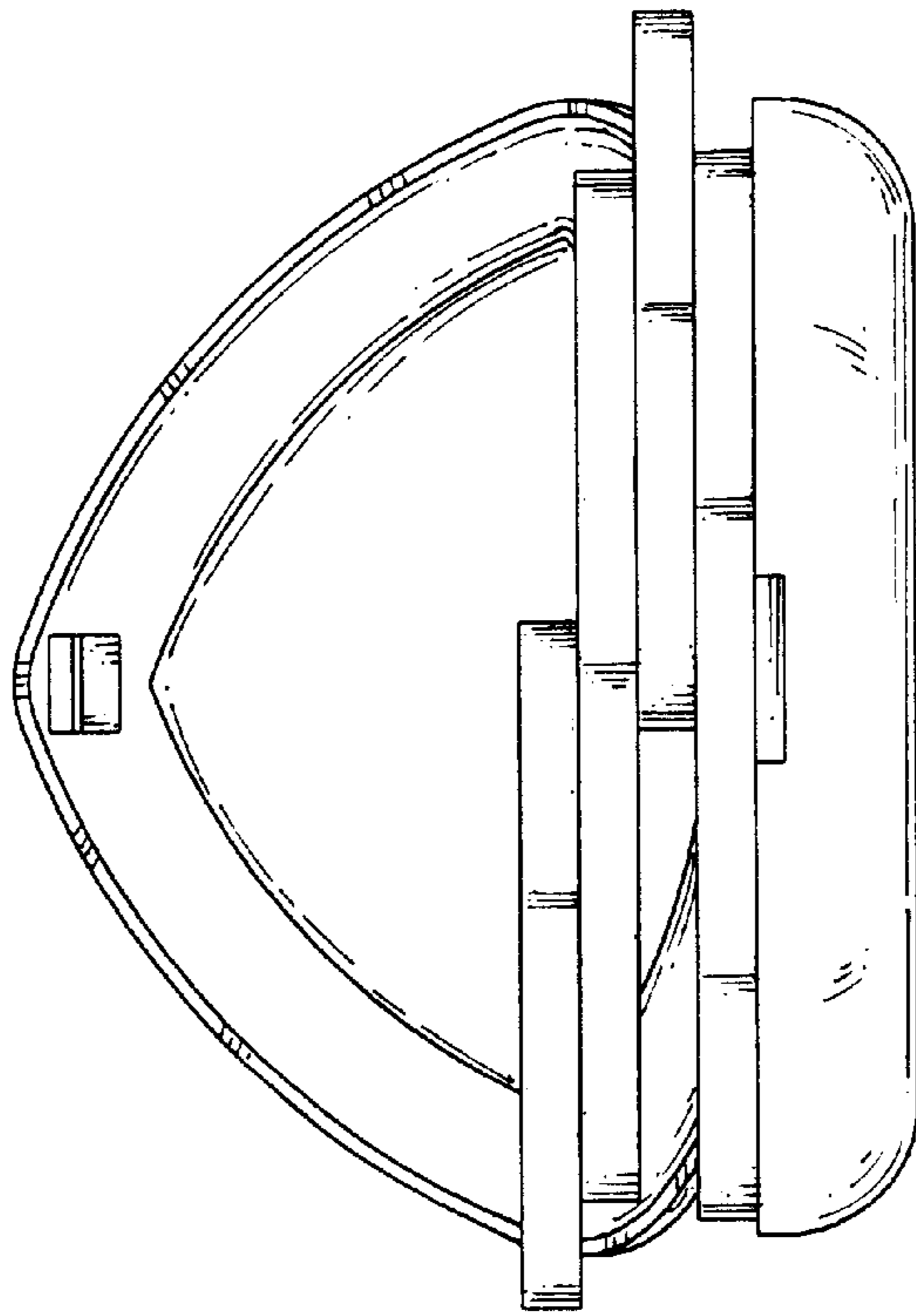


FIG. 2



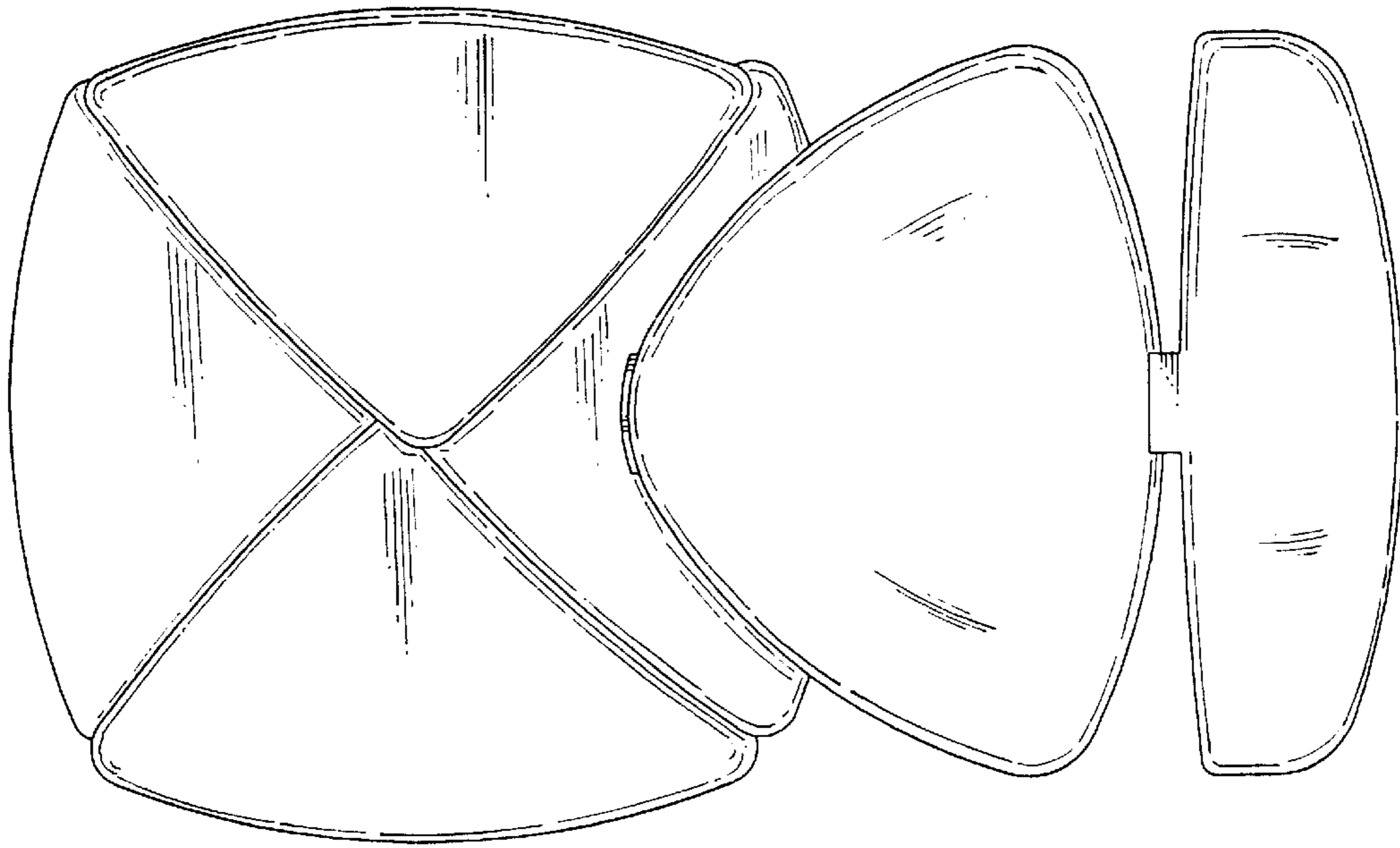


FIG. 5

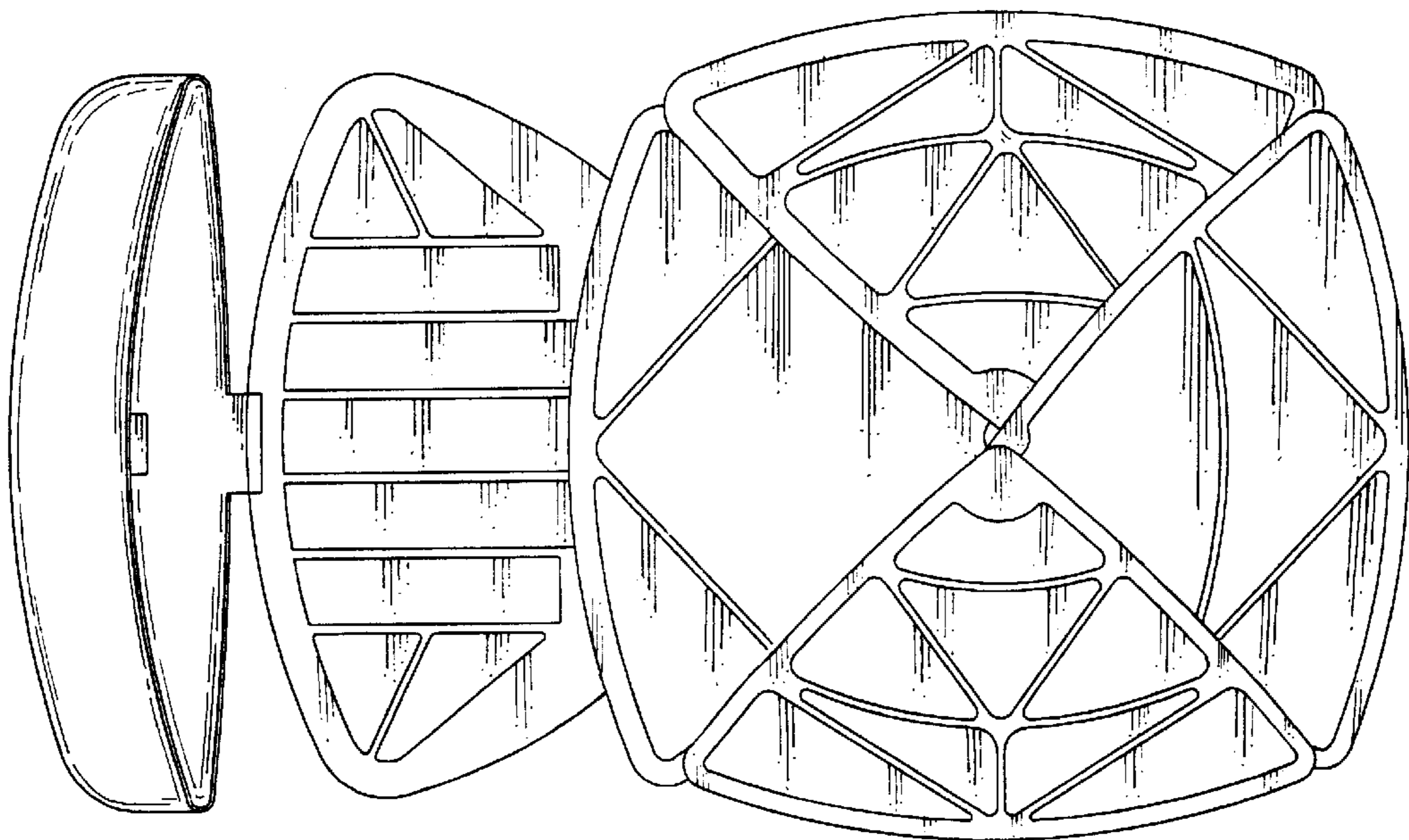


FIG. 4

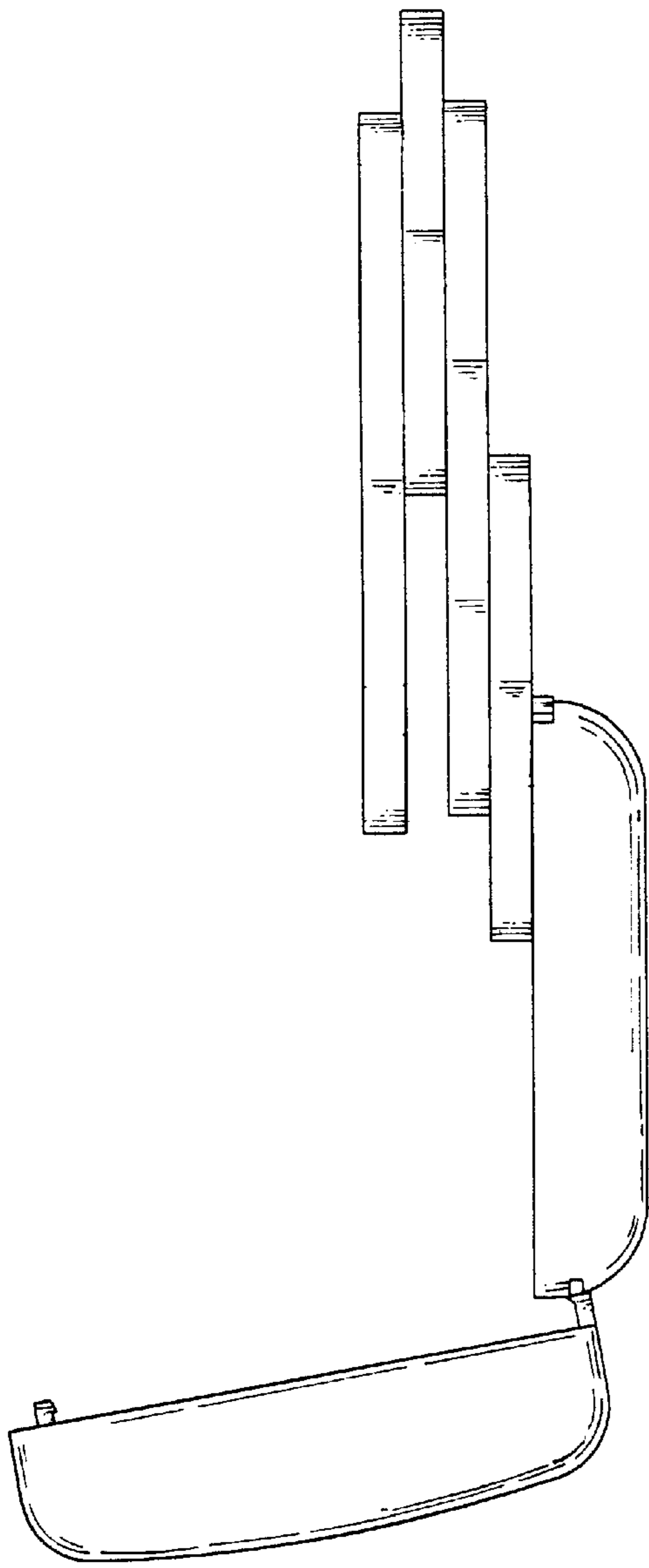


FIG. 6

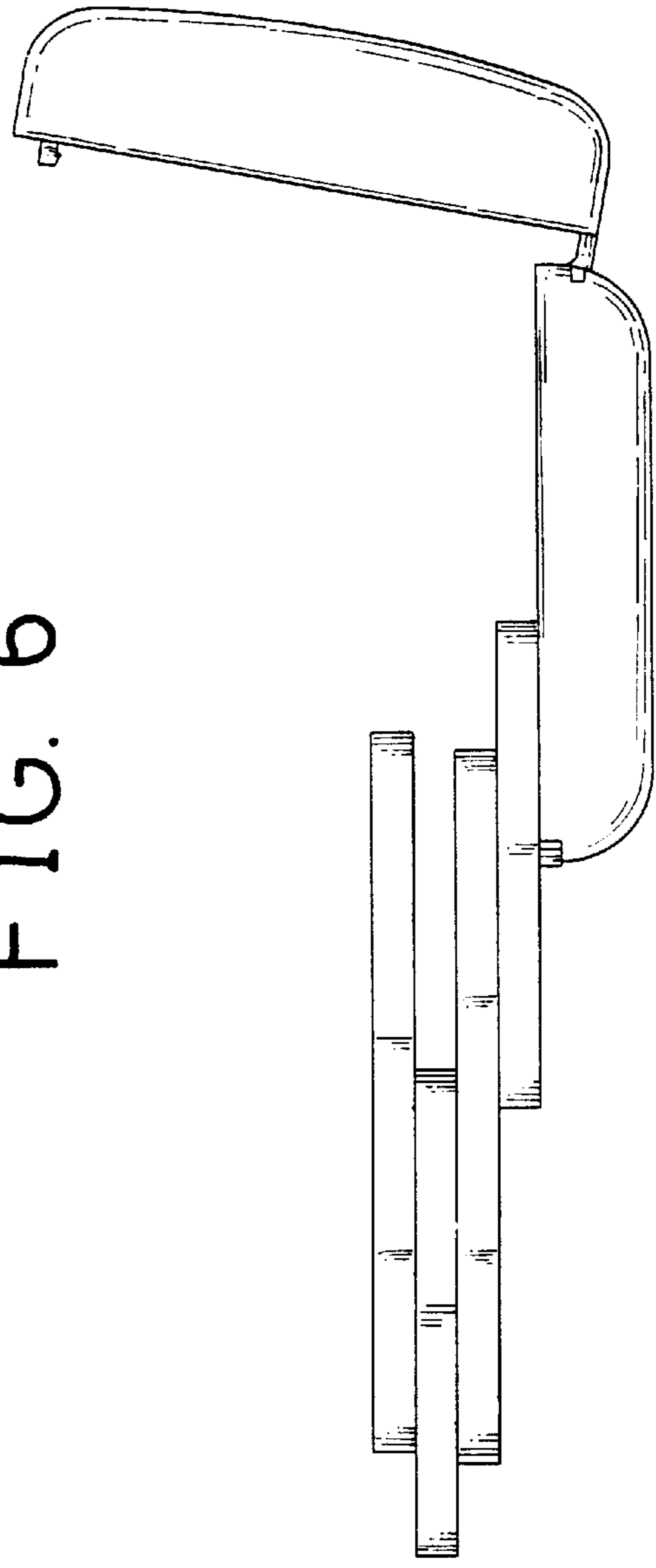


FIG. 7