



US00D462481S

(12) **United States Design Patent**
Rizzuto, Jr. et al.

(10) **Patent No.:** **US D462,481 S**

(45) **Date of Patent:** **** Sep. 3, 2002**

(54) **HANDLE**

(75) Inventors: **Leandro P. Rizzuto, Jr.**, Sheridan, WY (US); **Kam Fai Fung**, Hong Kong (CN); **Brenda P. K. Yue**, Hong Kong (CN); **Anthony Kit Lun Leung**, Hong Kong (CN)

(73) Assignee: **Conair Corporation**, Stamford, CT (US)

(**) Term: **14 Years**

(21) Appl. No.: **29/145,926**

(22) Filed: **Jul. 31, 2001**

(51) **LOC (7) Cl.** **28-03**

(52) **U.S. Cl.** **D28/10; D28/35**

(58) **Field of Search** D28/10, 12, 13, D28/15, 18, 23, 25, 35, 38, 34, 58; D4/100-102, 128, 136, 138; D7/646, 393, 395, 401.2; D8/29.1, 29.2, 30, 87, 107, DIG. 7; 132/117, 118, 119.1, 212, 223-244, 263, 265, 269, 271, 272; 219/222-227; 392/379, 380, 383, 384

(56) **References Cited**

U.S. PATENT DOCUMENTS

3,658,071 A	4/1972	Wise	
D240,089 S	* 5/1976	Rawson	D28/12
D240,339 S	* 6/1976	Benty	D28/13
4,075,458 A	2/1978	Moyer	219/225
RE30,618 E	5/1981	Van Dyck et al.	219/225
4,469,934 A	9/1984	Isshiki et al.	219/222
4,585,926 A	4/1986	Easthill	219/506

D288,250 S	* 2/1987	Adams	D28/35
4,673,798 A	6/1987	Contri et al.	219/225
4,731,519 A	* 3/1988	Dieterle et al.	219/225
4,891,497 A	1/1990	Yoshimura	219/241
4,939,340 A	* 7/1990	Brill	219/225
5,354,967 A	10/1994	Barzilai et al.	219/225
5,749,379 A	5/1998	Stillwagon et al.	132/200
5,783,800 A	7/1998	Thompson et al.	219/225
5,785,064 A	* 7/1998	Simpson	132/226
5,794,799 A	8/1998	Collins et al.	211/70.6
5,951,894 A	* 9/1999	White, Jr.	219/222
D421,152 S	* 2/2000	Kwok	D28/18

* cited by examiner

Primary Examiner—Ted Shooman

Assistant Examiner—C. Tuttle

(74) *Attorney, Agent, or Firm*—Ohlandt, Greeley, Ruggiero & Perle, LLP

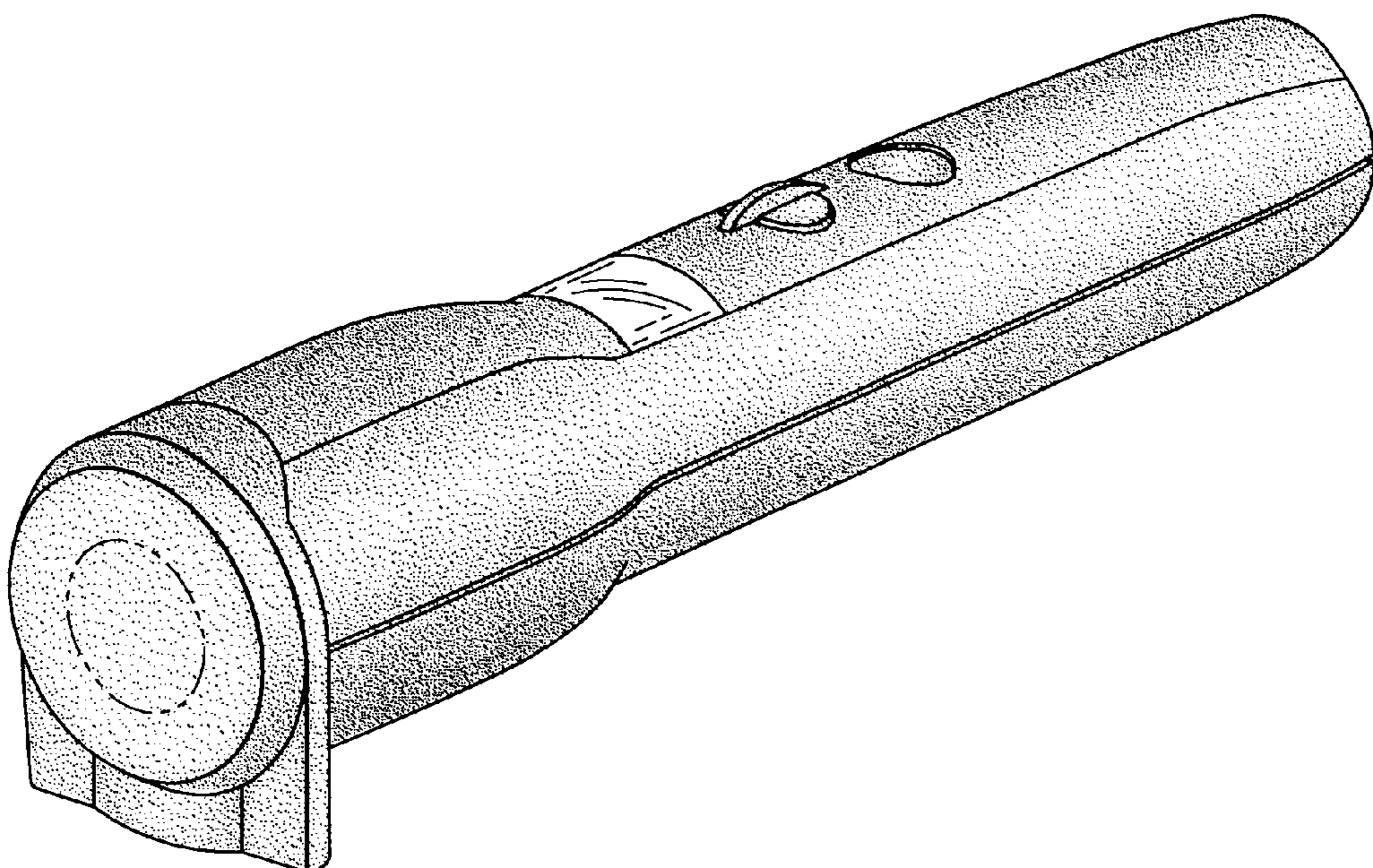
(57) **CLAIM**

The ornamental design for the handle, as shown and described in the accompanying figures.

DESCRIPTION

FIG. 1 is a front perspective view of a handle according to the present invention;
FIG. 2 is a front end view of the handle of FIG. 1;
FIG. 3 is a rear end view of the handle of FIG. 1;
FIG. 4 is a top view of the handle of FIG. 1;
FIG. 5 is a bottom view of the handle of FIG. 1; and,
FIG. 6 is a right side view of the handle of FIG. 1.
The portions shown in broken lines in FIGS. 1, 2 and 6 are for illustrative purposes only and form no part of the claimed design.

1 Claim, 3 Drawing Sheets



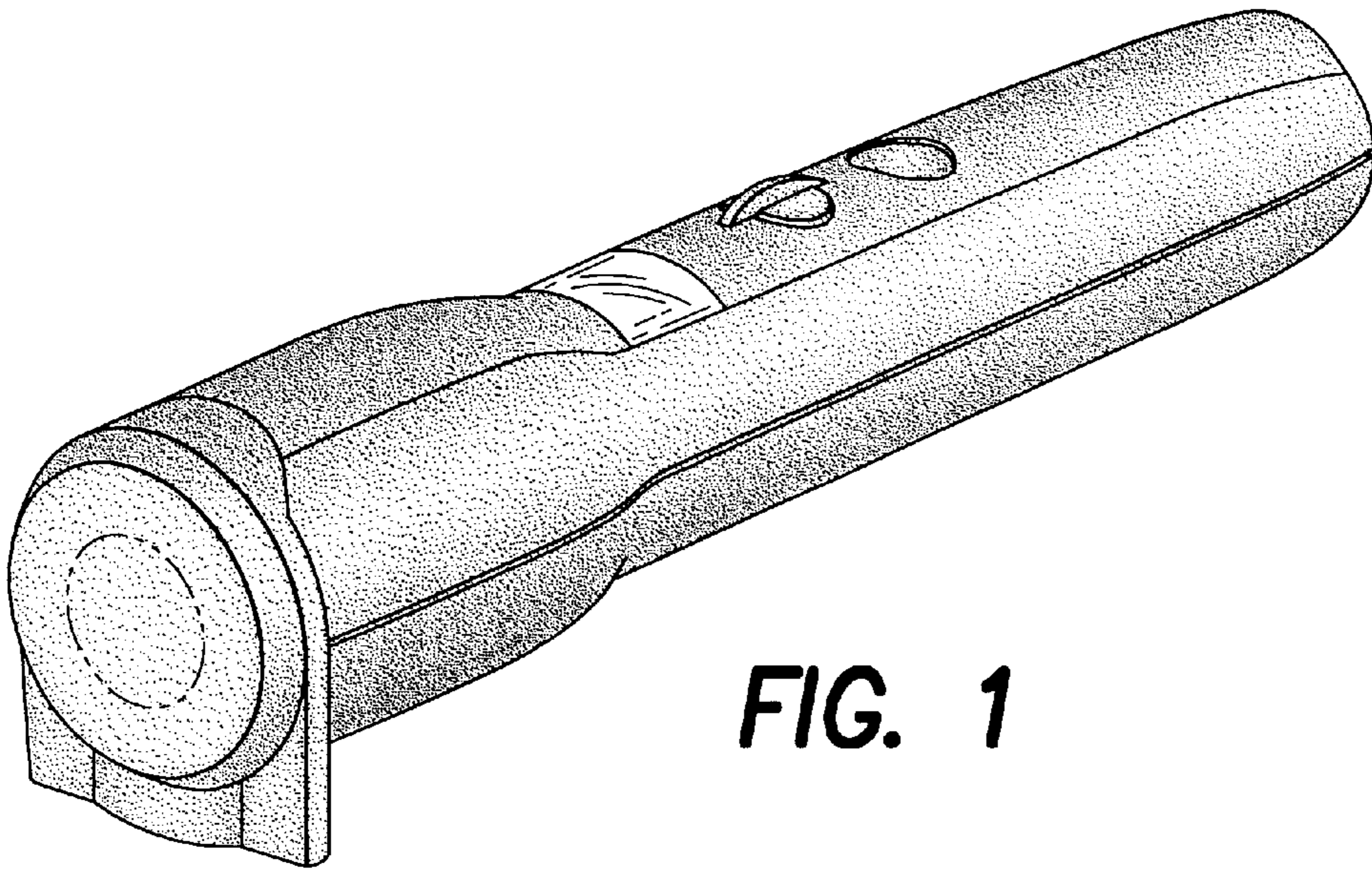


FIG. 1

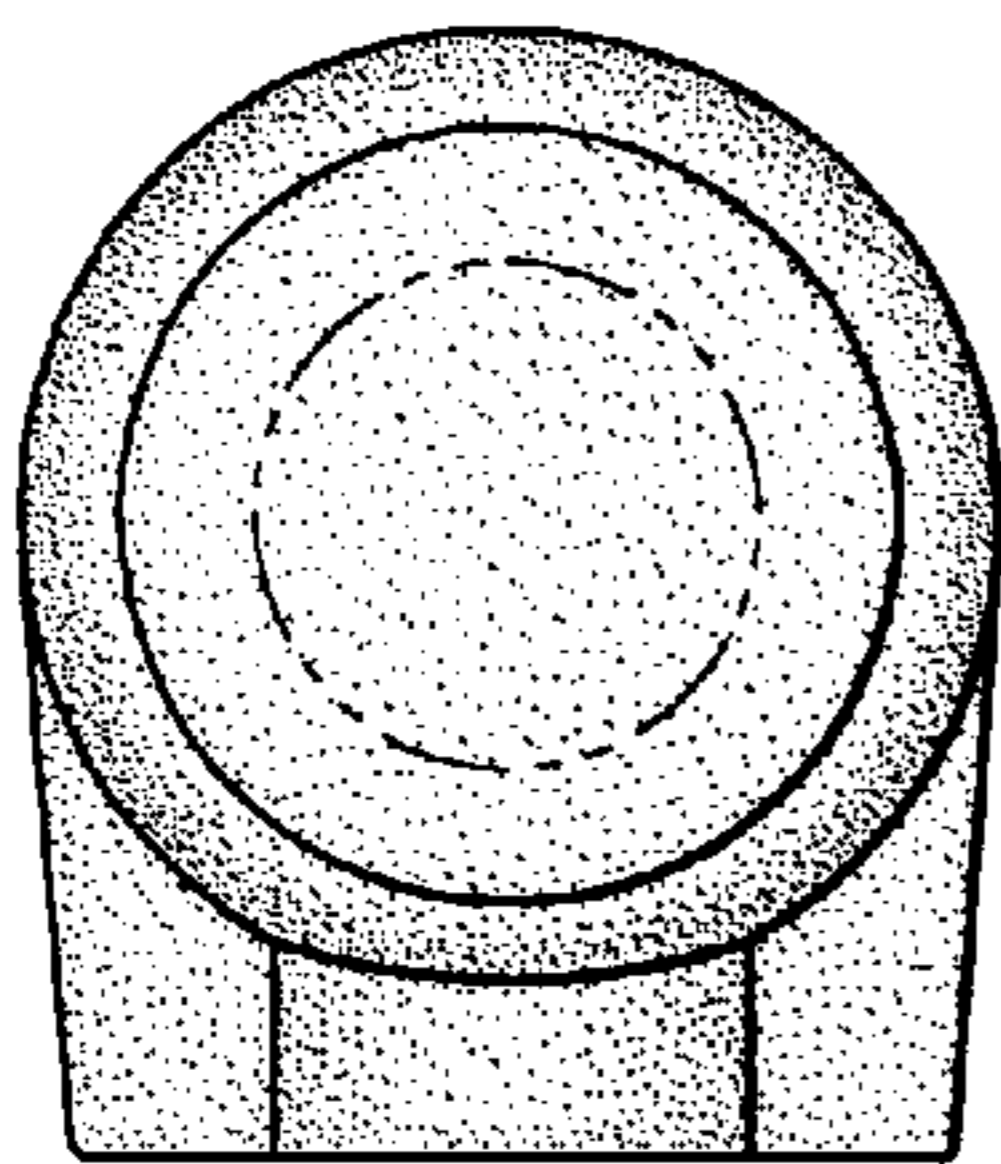


FIG. 2

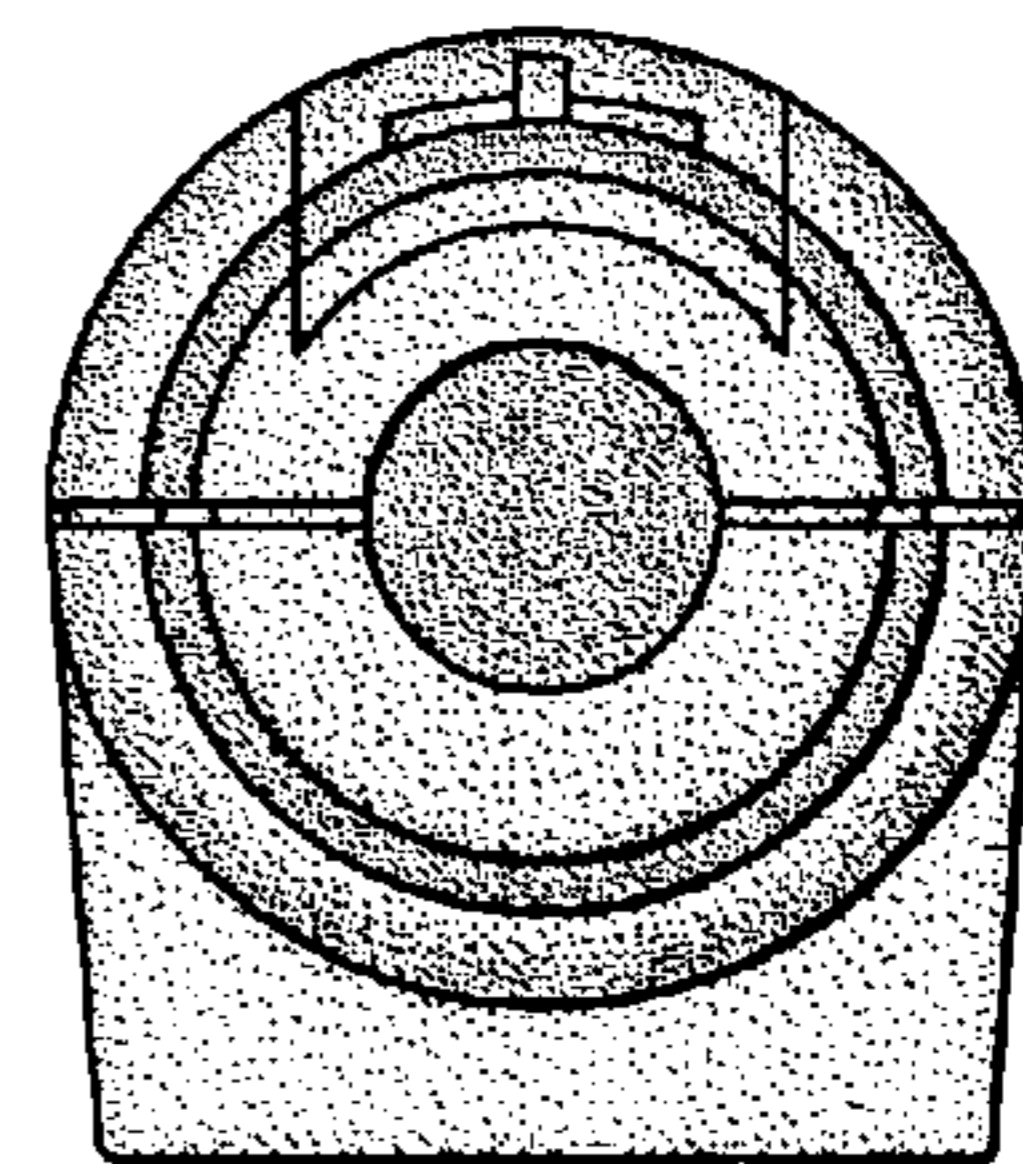


FIG. 3

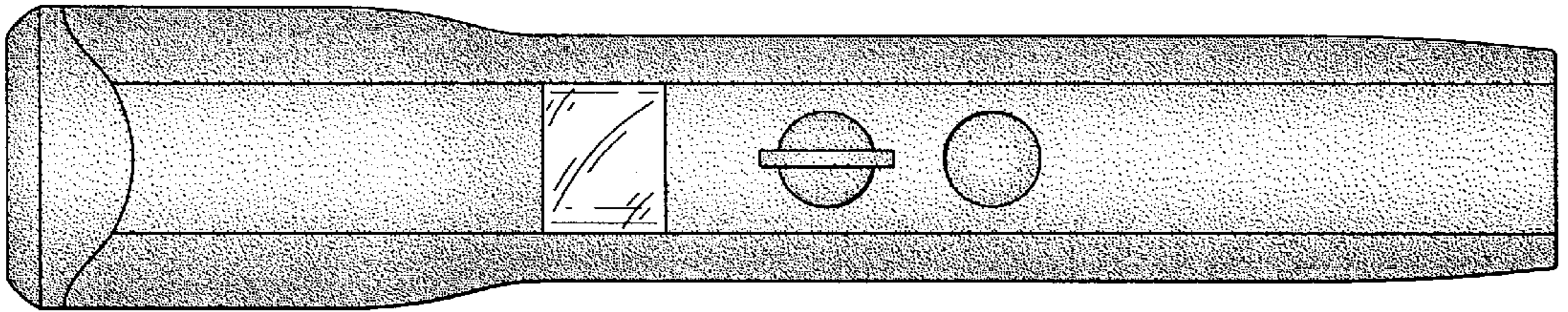


FIG. 4

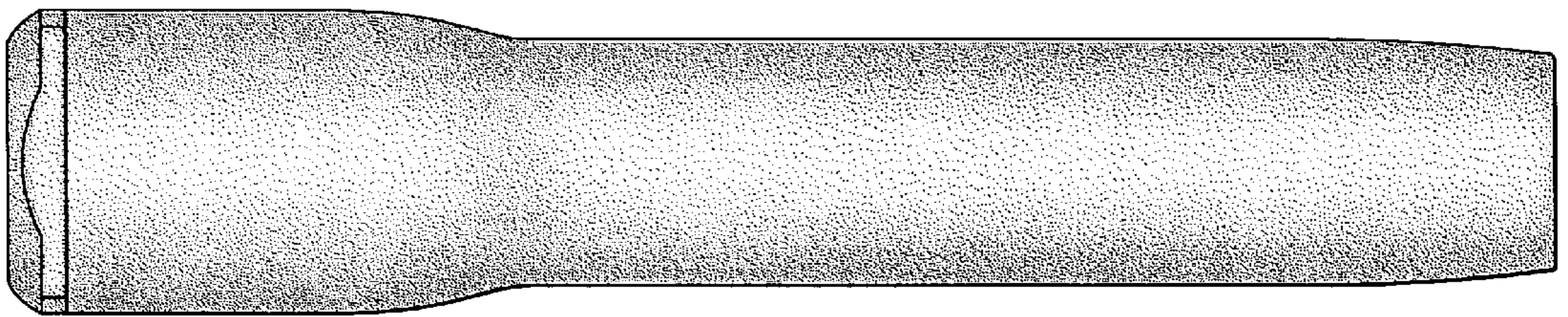


FIG. 5

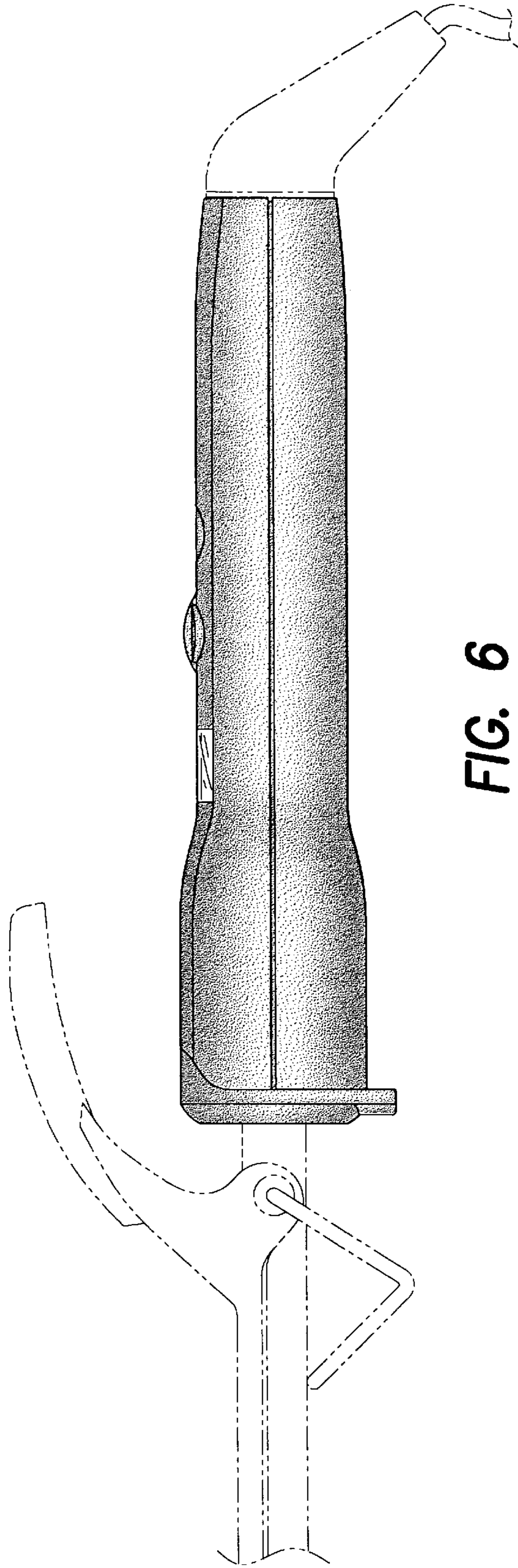


FIG. 6