



US00D462480S

(12) **United States Design Patent**  
**Jones**

(10) **Patent No.: US D462,480 S**

(45) **Date of Patent: \*\* \*Sep. 3, 2002**

(54) **LOTION APPLICATOR**

(76) Inventor: **Veronica Jones**, 1828 N. 26th St.,  
Philadelphia, PA (US) 10439

(\* ) Notice: This patent is subject to a terminal disclaimer.

(\*\* ) Term: **14 Years**

(21) Appl. No.: **29/123,656**

(22) Filed: **May 22, 2000**

(51) **LOC (7) Cl. .... 28-02**

(52) **U.S. Cl. .... D28/7**

(58) **Field of Search .... D28/7, 63; D32/40;**  
132/317, 318, 311, 320; 401/6, 208, 218;  
15/144.1, 144.2, 144.3, 144.4, 220.1

(56) **References Cited**

**U.S. PATENT DOCUMENTS**

D271,624 S	*	11/1983	Paulson	.....	D28/7
4,961,661 A		10/1990	Sutton et al.	.....	401/6
D323,568 S	*	1/1992	Hackler	.....	D28/63
5,353,819 A	*	10/1994	Kahn et al.	.....	132/320
D384,436 S	*	9/1997	Kelley	.....	D28/7
D388,535 S	*	12/1997	Per-Lee	.....	D28/7

5,823,206 A		10/1998	Mapleback	.....	132/320
5,845,659 A		12/1998	Hutchins	.....	132/317
5,862,565 A	*	1/1999	Lundstedt	.....	15/220.1
D410,110 S	*	5/1999	Roland	.....	D28/7
5,909,740 A	*	6/1999	Sussman	.....	132/318
5,961,235 A	*	10/1999	Kennedy	.....	401/6

\* cited by examiner

*Primary Examiner*—Paula A. Mortimer

(74) *Attorney, Agent, or Firm*—Goldstein Law Offices P.C.

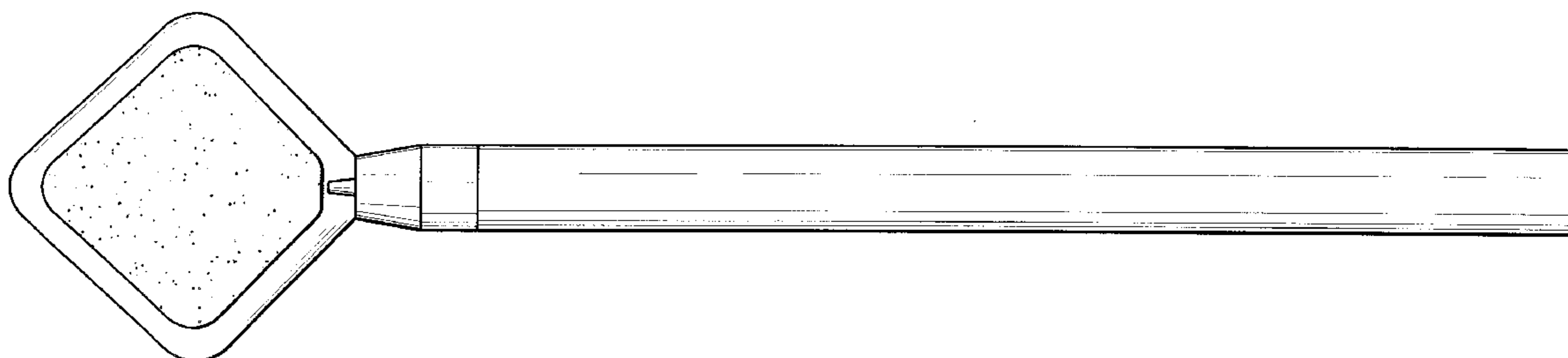
(57) **CLAIM**

The ornamental design for a lotion applicator, as shown and described.

**DESCRIPTION**

FIG. 1 is a perspective view of a lotion applicator;  
FIG. 2 is an exploded perspective view of the lotion applicator;  
FIG. 3 is a top plan view of the lotion applicator;  
FIG. 4 is a bottom plan view thereof;  
FIG. 5 is a left side elevational view thereof, the right side elevational view being a mirror image of the left side view;  
FIG. 6 is a front elevational view thereof; and,  
FIG. 7 is a rear elevational view thereof.

**1 Claim, 3 Drawing Sheets**



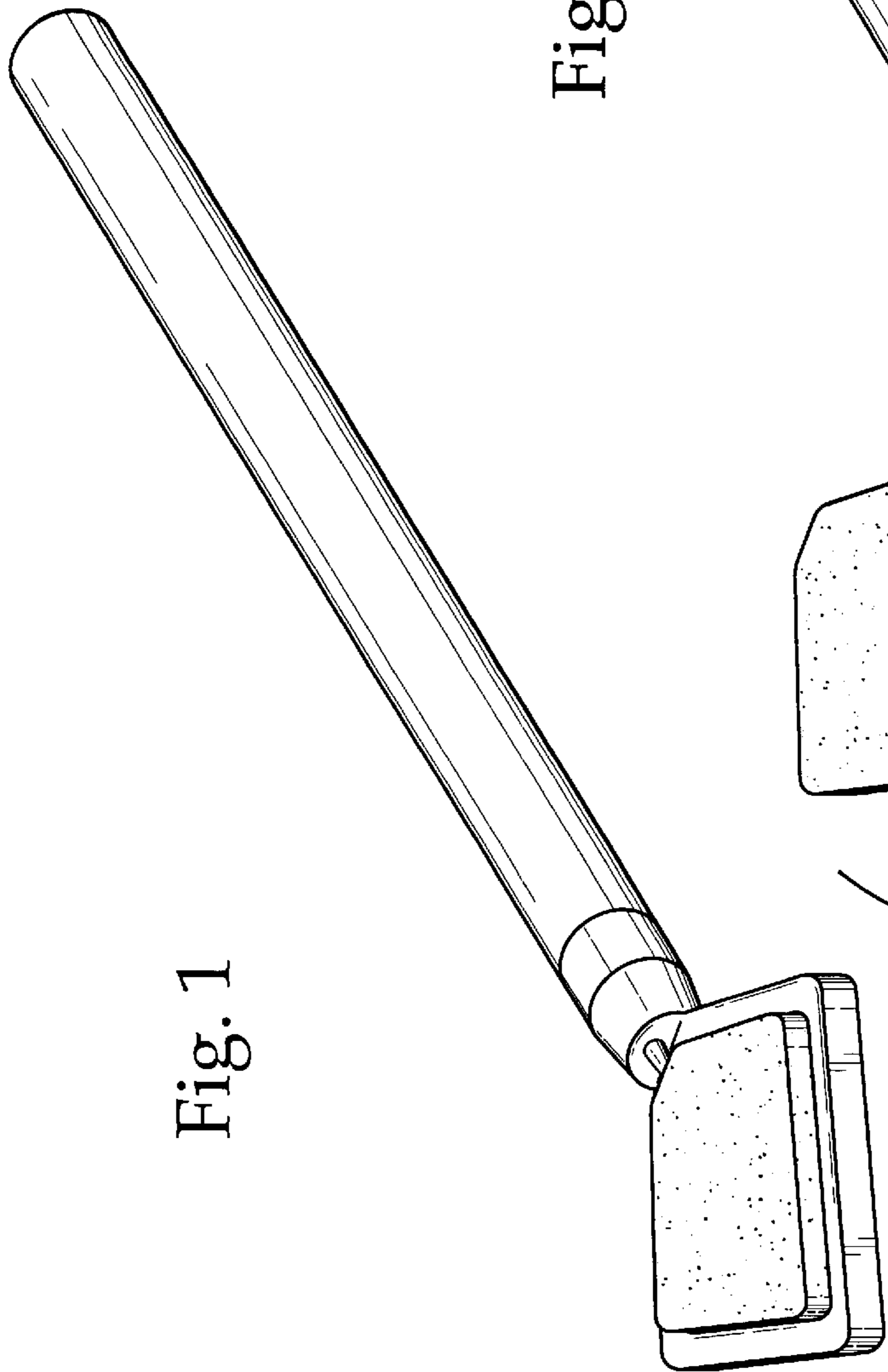


Fig. 1

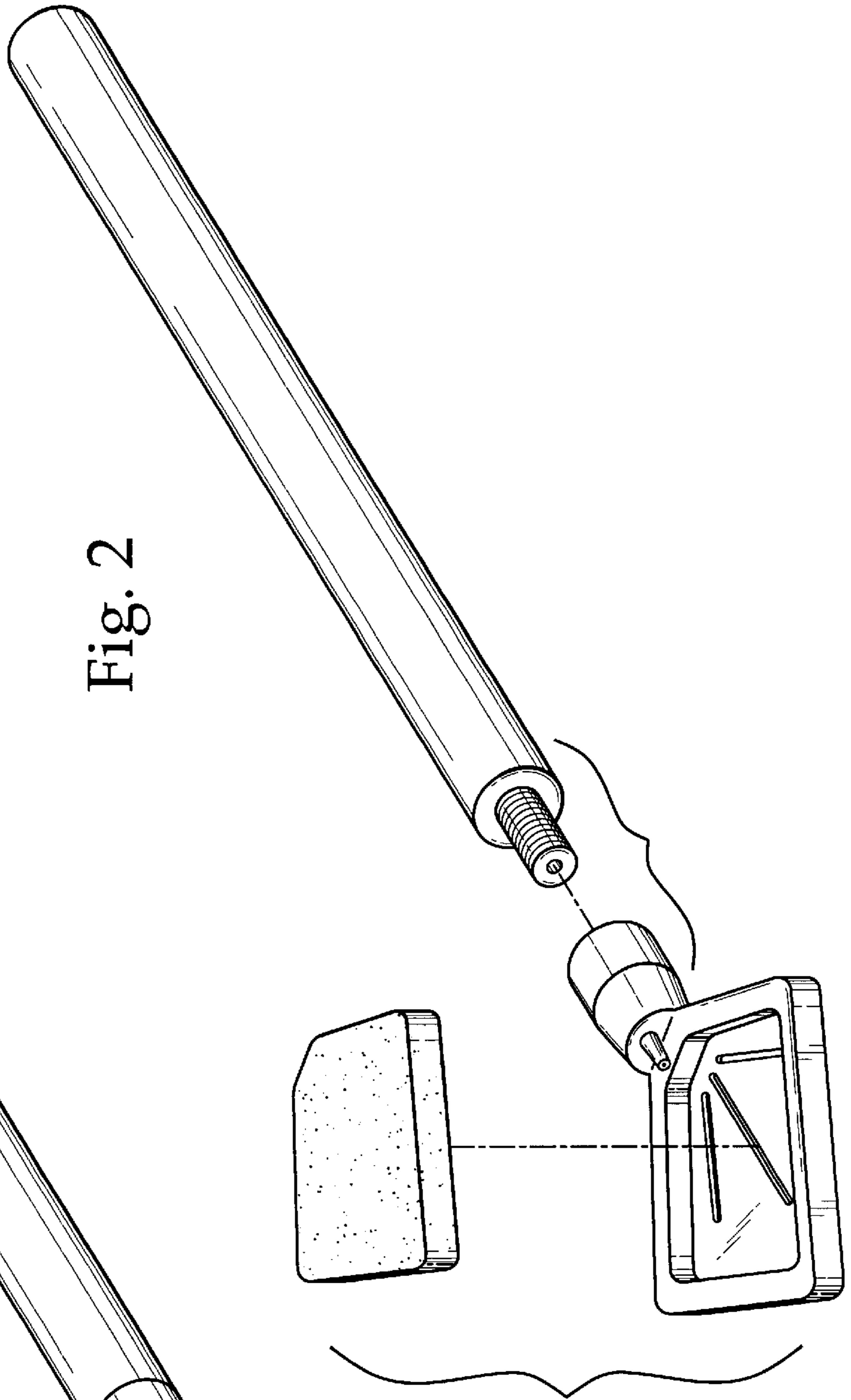


Fig. 2

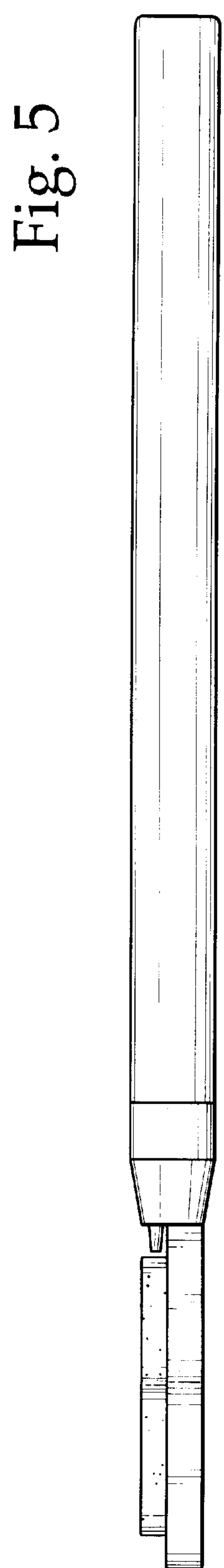
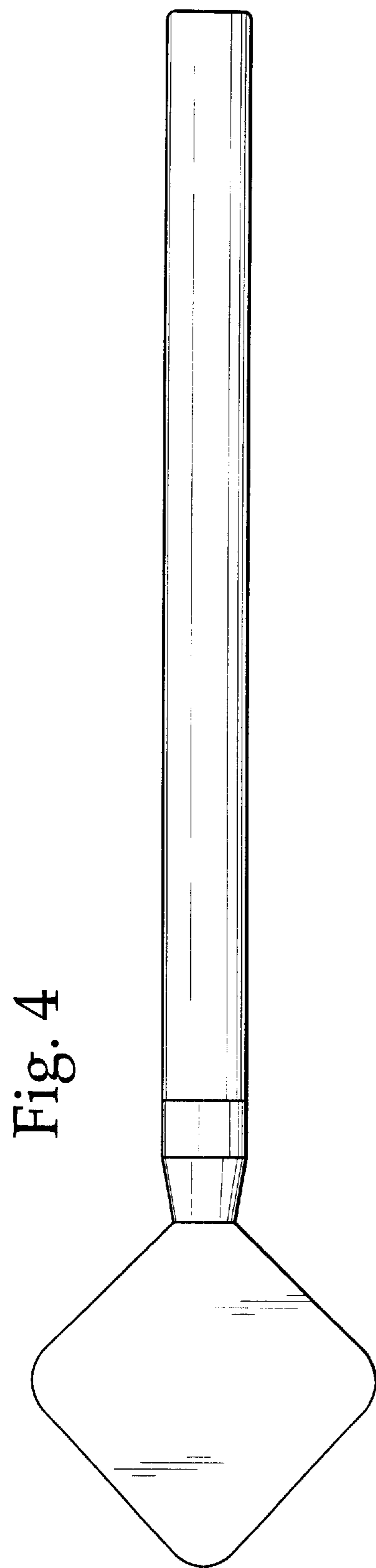
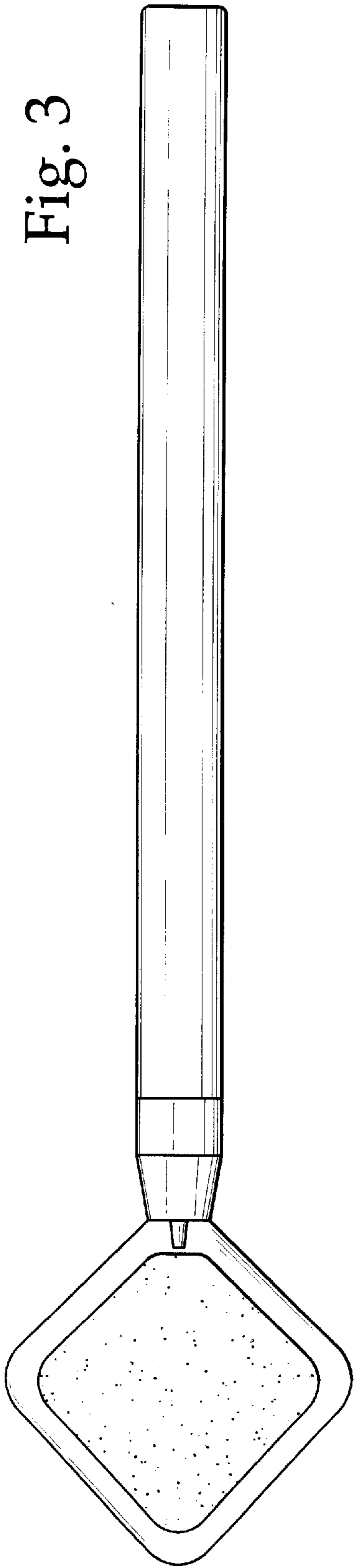




Fig. 6

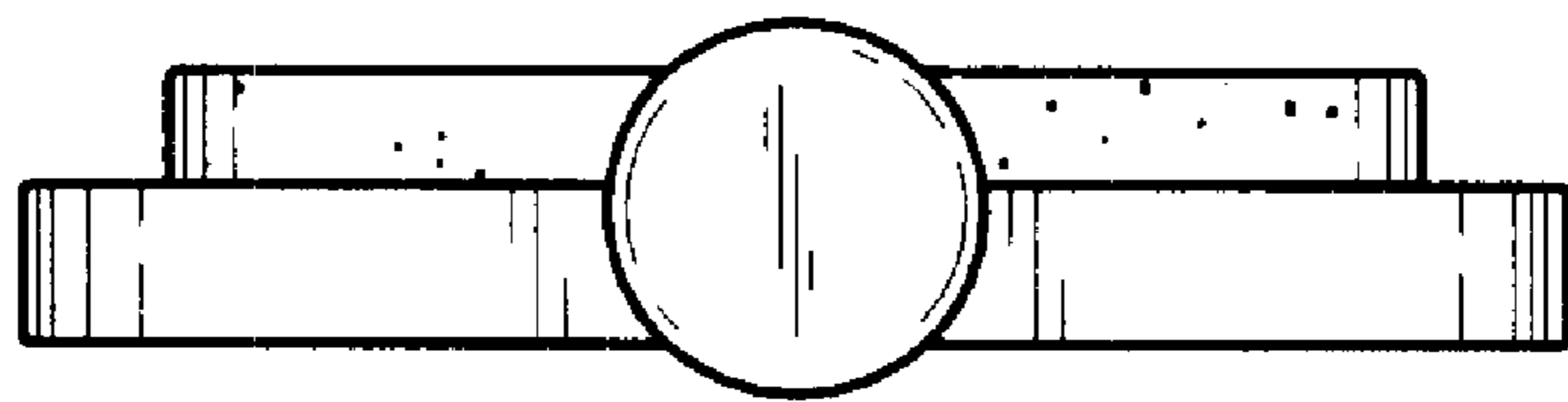


Fig. 7