



US00D462472S

(12) **United States Design Patent**
Parker et al.

(10) **Patent No.:** **US D462,472 S**

(45) **Date of Patent:** **** Sep. 3, 2002**

(54) **FLASHLIGHT**

D434,513 S * 11/2000 Poon D26/45

(75) Inventors: **David H. Parker**, Torrance; **Kevin Deighton**, Long Beach; **John Hoven**, Manhattan Beach, all of CA (US)

* cited by examiner

(73) Assignee: **Pelican Products, Inc.**, Torrance, CA (US)

Primary Examiner—Marcus A. Jackson
(74) *Attorney, Agent, or Firm*—Oppenheimer Wolff & Donnelly, LLP

(**) Term: **14 Years**

(57) **CLAIM**

(21) Appl. No.: **29/151,669**

The ornamental design for a flashlight, as shown and described.

(22) Filed: **Dec. 7, 2001**

DESCRIPTION

Related U.S. Application Data

(63) Continuation-in-part of application No. 29/148,171, filed on Sep. 17, 2001.

FIG. 1 is a perspective view from the front of the flashlight, with the broken line showing for illustrative purposes only and forming no part of the claimed design;

(51) **LOC (7) Cl.** **26-02**

(52) **U.S. Cl.** **D26/45**

FIG. 2 is a rear view of the flashlight;

(58) **Field of Search** D26/37-50; 362/157, 362/158, 171, 172, 173, 183-208

FIG. 3 is a side view of the flashlight;

FIG. 4 is a front view of the flashlight;

FIG. 5 is a top view of the flashlight; and,

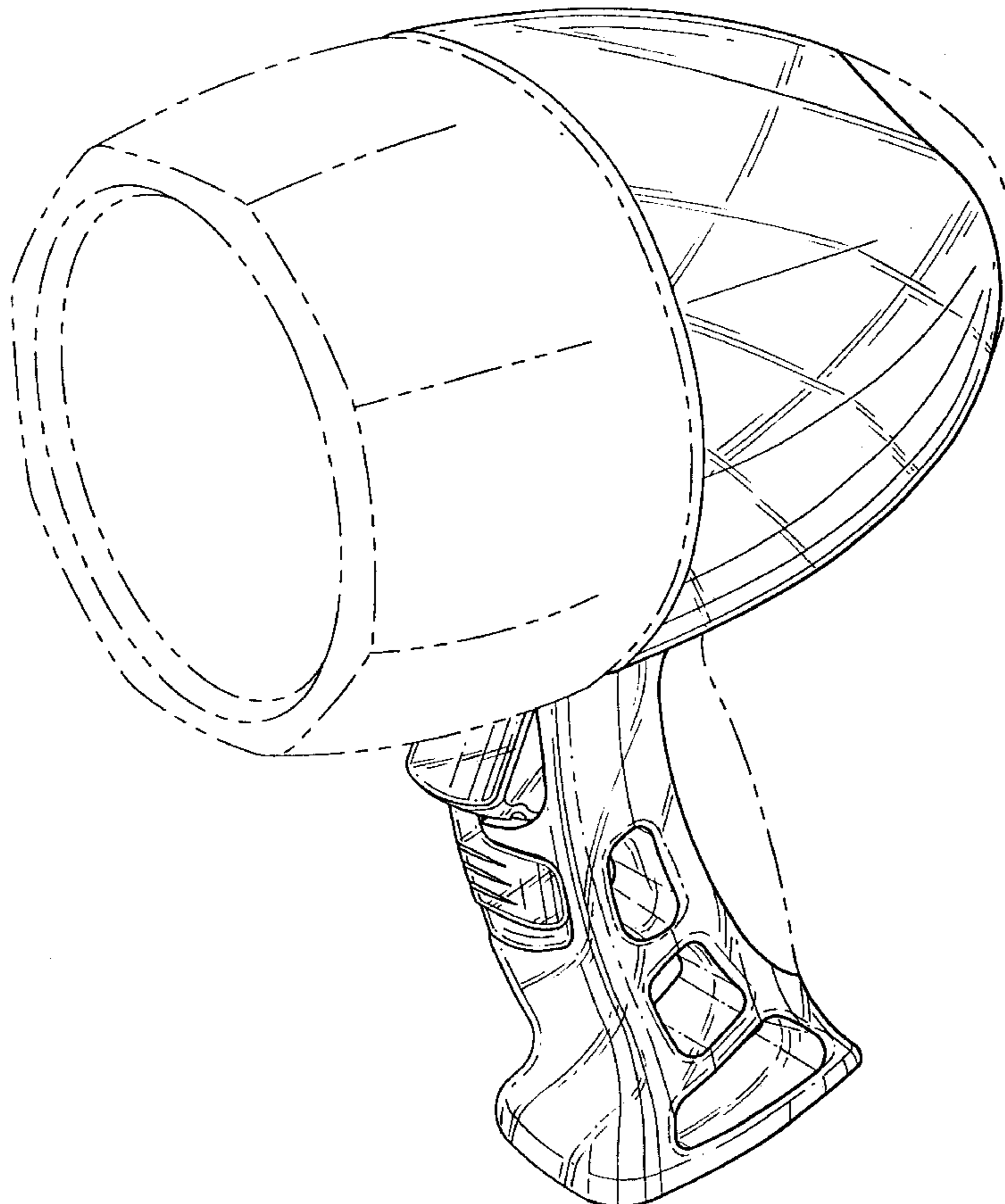
FIG. 6 is a under view of the flashlight.

(56) **References Cited**

U.S. PATENT DOCUMENTS

D431,662 S * 10/2000 Krieger D26/45

1 Claim, 3 Drawing Sheets



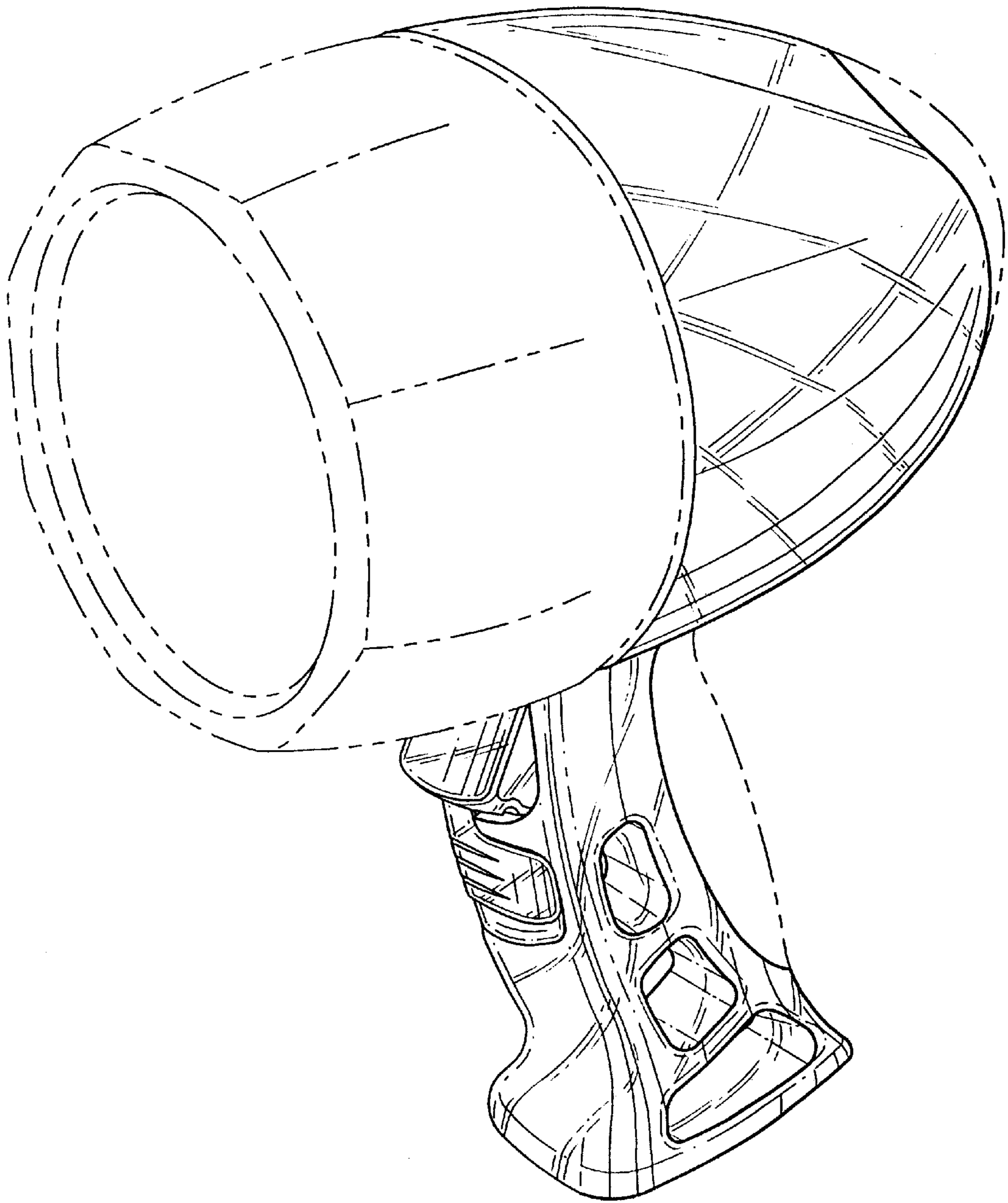


FIG. 1

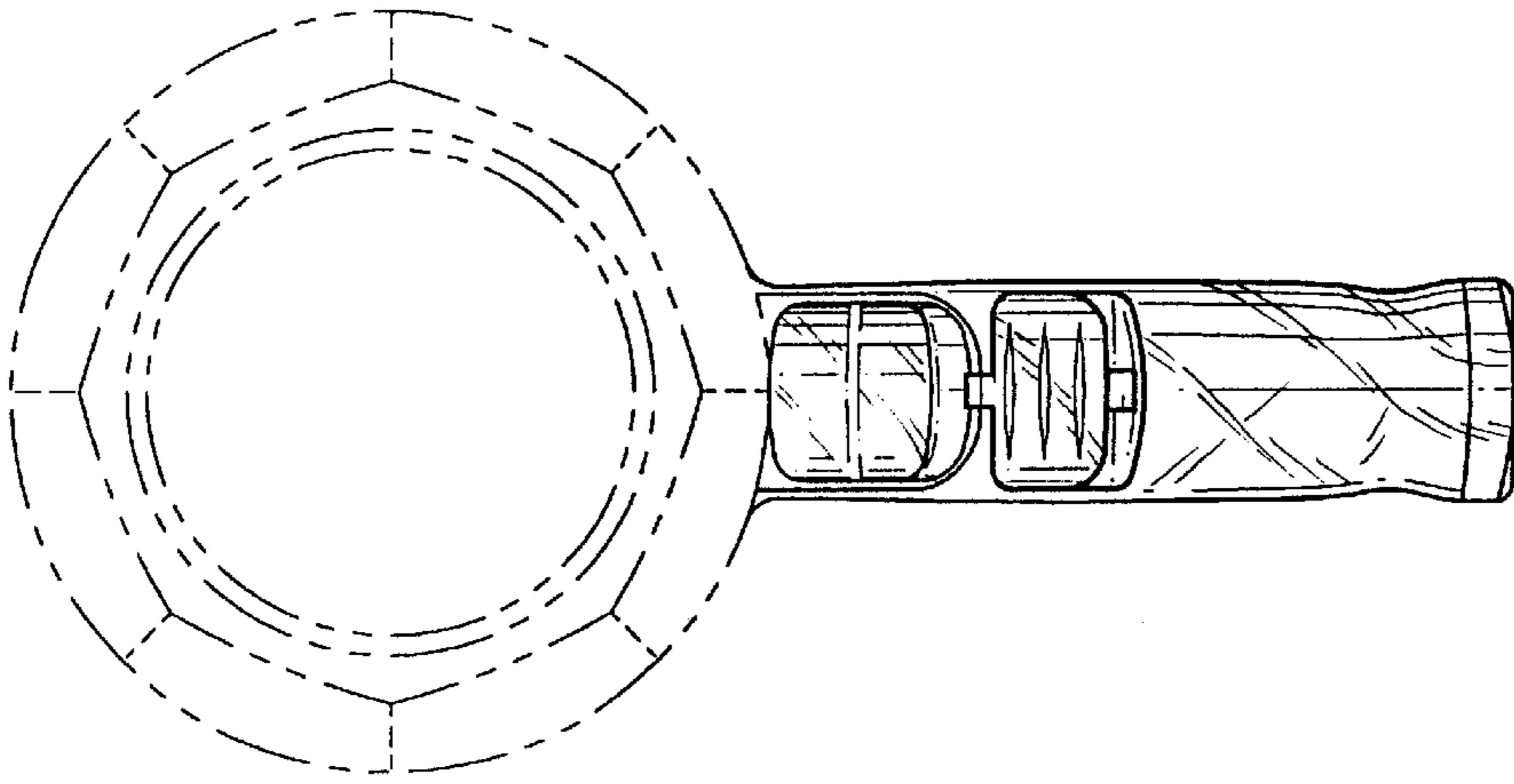


FIG. 4

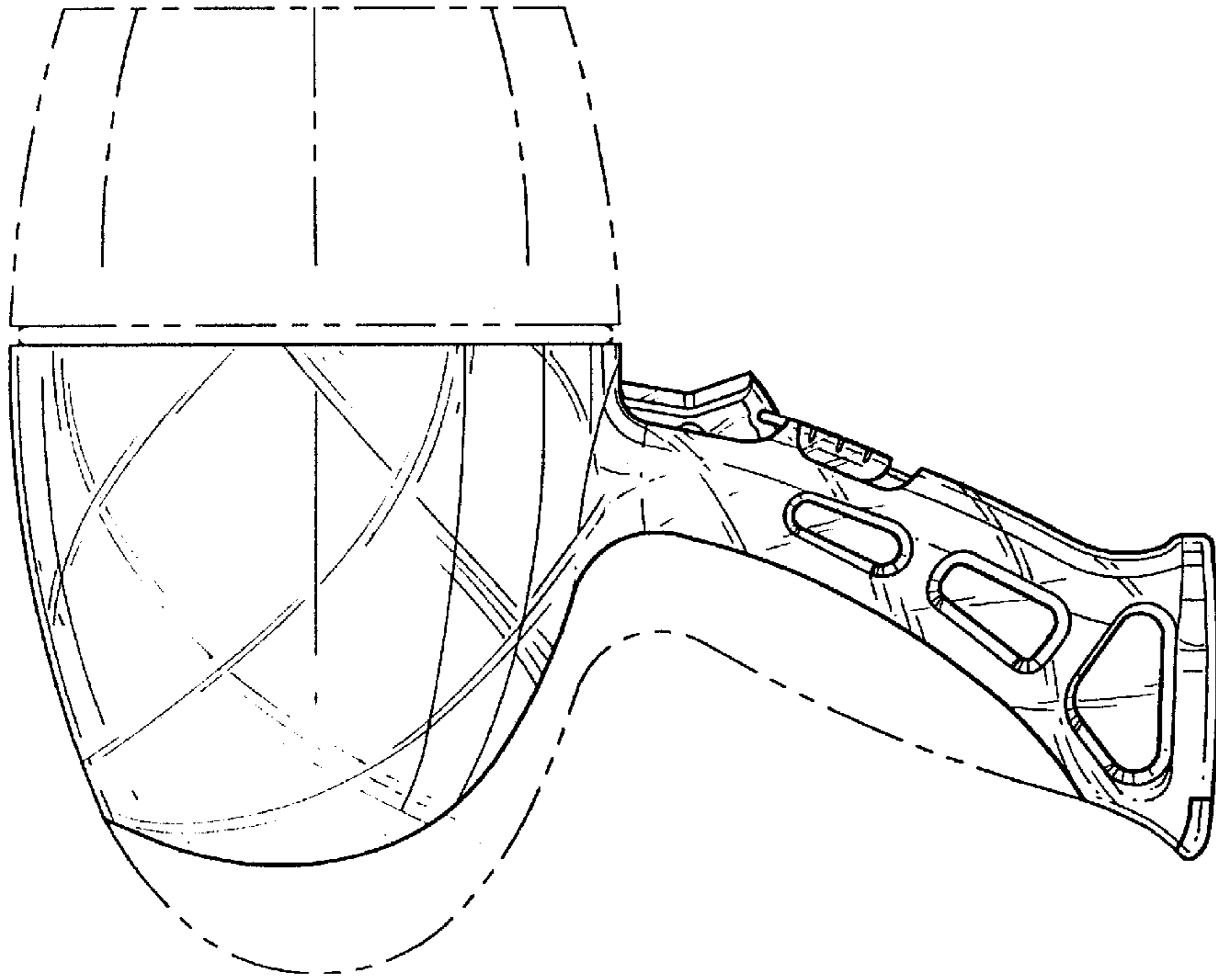


FIG. 3

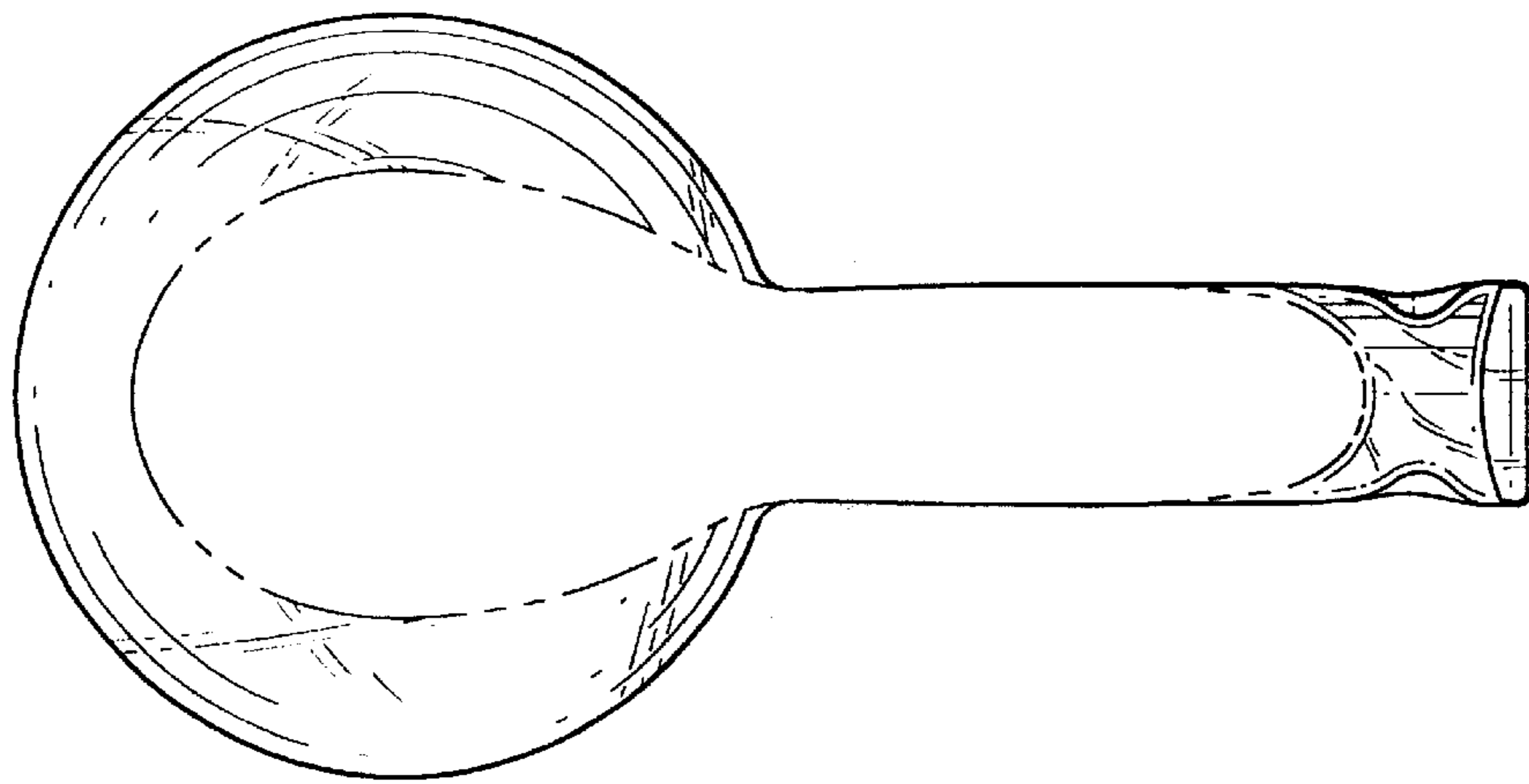


FIG. 2

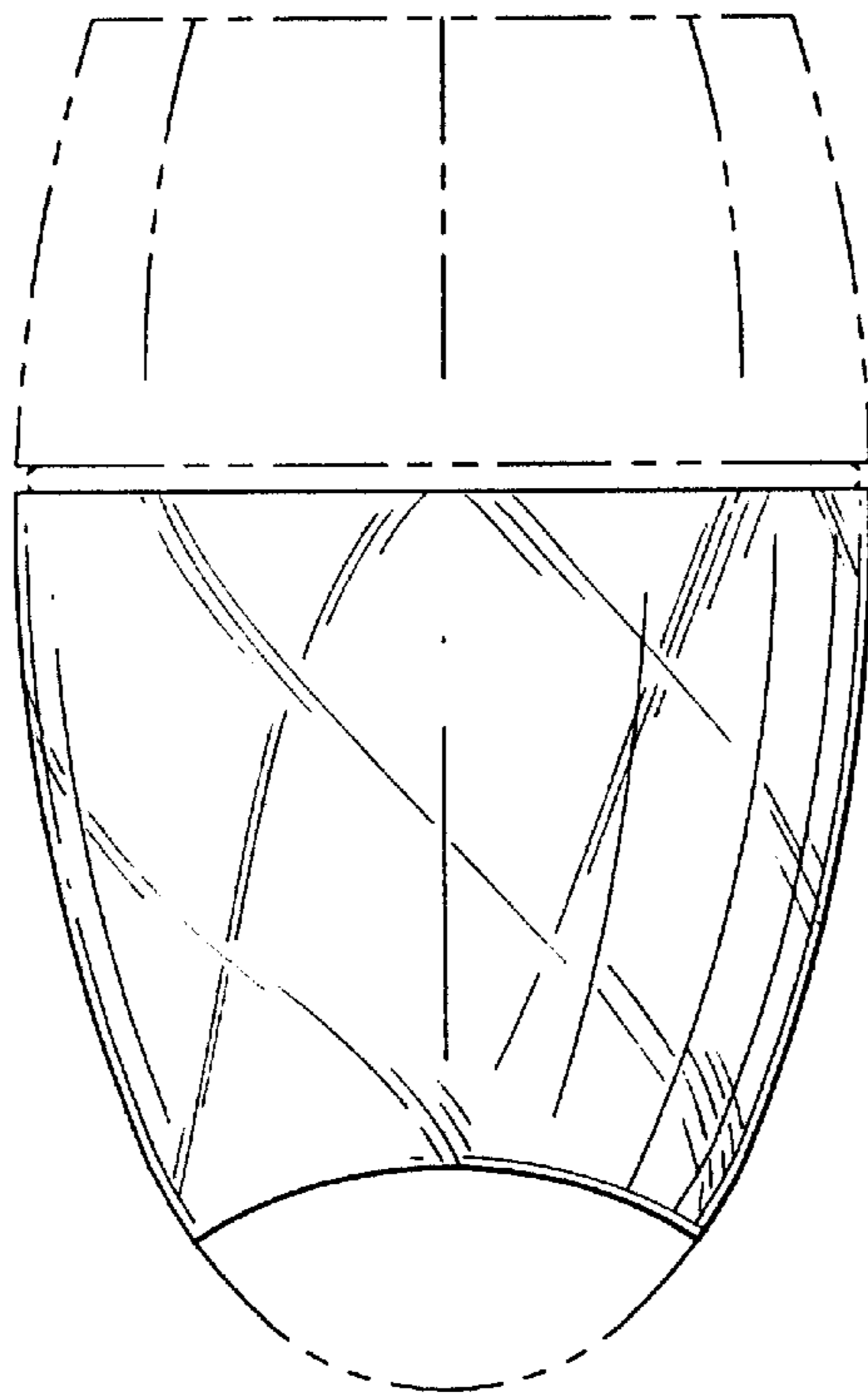


FIG. 5

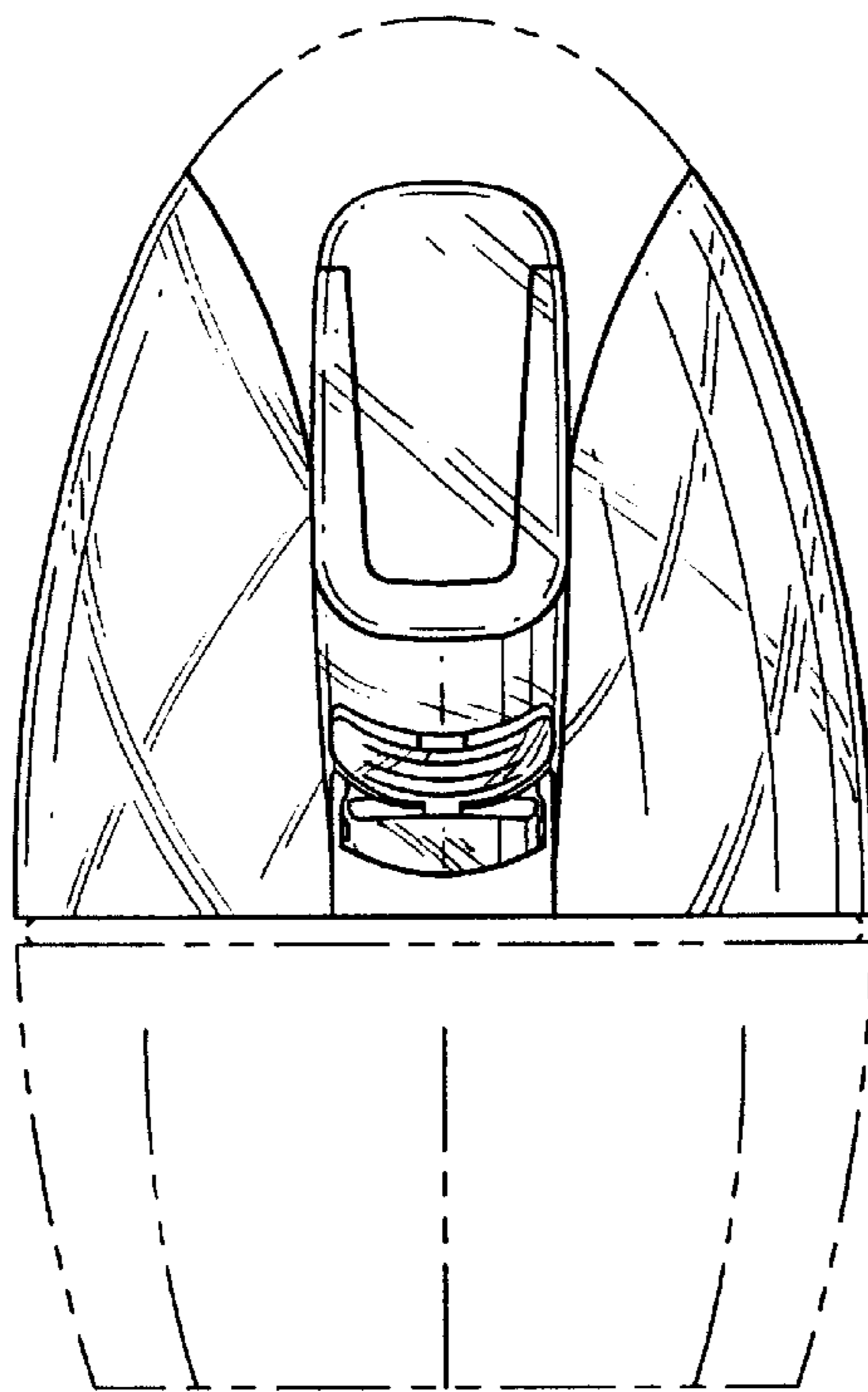


FIG. 6