



US00D462470S

(12) **United States Design Patent**
Krieger et al.

(10) **Patent No.:** **US D462,470 S**

(45) **Date of Patent:** **** Sep. 3, 2002**

(54) **SPOTLIGHT WITH GUN GRIP HANDLE**

(57) **CLAIM**

(75) Inventors: **Michael Krieger**, Miami Beach; **Kevin Ellsworth**, Hollywood, both of FL (US)

The ornamental design for a spotlight with gun grip handle, as shown and described.

(73) Assignee: **Vector Products, Inc.**, Ft. Lauderdale, FL (US)

DESCRIPTION

(**) Term: **14 Years**

FIG. 1 is a perspective view from the front-top-left side of the spotlight with gun grip handle showing our new design with the handle extended;

(21) Appl. No.: **29/145,219**

FIG. 2 is a front view of the design shown in FIG. 1;

(22) Filed: **Jul. 19, 2001**

FIG. 3 is a rear view of the design shown in FIG. 1;

(51) **LOC (7) Cl.** **26-02**

FIG. 4 is a left side view of the design shown in FIG. 1;

(52) **U.S. Cl.** **D26/45**

FIG. 5 is a right side view of the design of FIG. 1;

(58) **Field of Search** D26/37-50; 362/157, 362/158, 171, 172, 173, 181-208

FIG. 6 is a top view of the design shown in FIG. 1;

FIG. 7 is a bottom view of the design shown in FIG. 1;

FIG. 8 is a perspective view from the front-left-top of the new design showing the spotlight of FIG. 1 with the gun grip handle in a retracted position;

(56) **References Cited**

U.S. PATENT DOCUMENTS

D301,752 S	*	6/1989	Osterhout	D26/45
D429,013 S	*	8/2000	Poon	D26/45
D431,662 S	*	10/2000	Krieger	D26/45
D434,513 S	*	11/2000	Poon	D26/45
D436,200 S	*	1/2001	Cheong et al.	D26/45
D441,474 S	*	5/2001	Poon	D26/45

FIG. 9 is a front view of the design as shown in FIG. 8;

FIG. 10 is a rear view of the design as shown in FIG. 8;

FIG. 11 is a left side view of the design as shown in FIG. 8;

FIG. 12 is a right side view of the design as shown in FIG. 8;

FIG. 13 is a top view of the design as shown in FIG. 8;

FIG. 14 is a bottom view of the design as shown in FIG. 8; and,

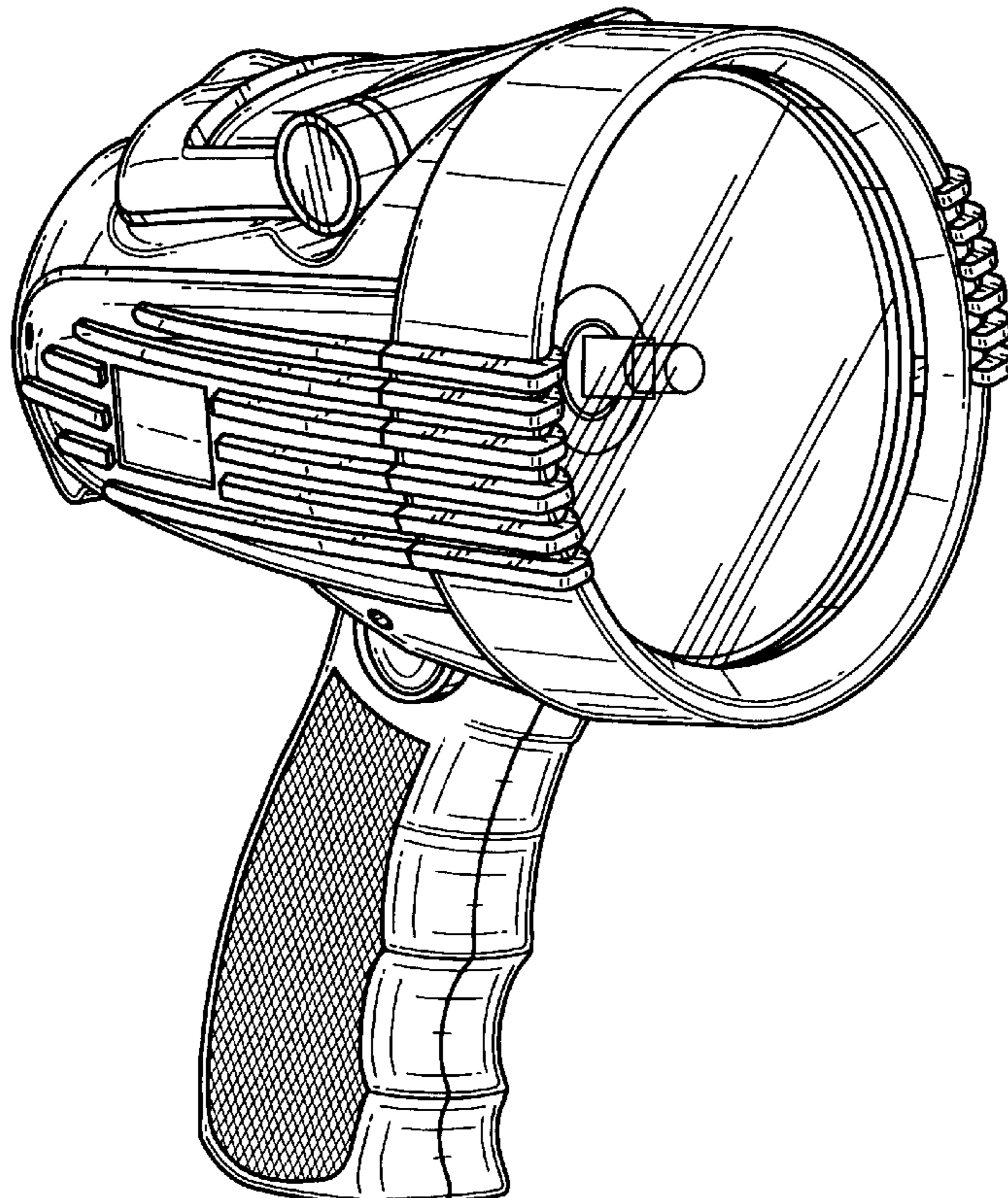
* cited by examiner

FIG. 15 is a perspective view from the front-right bottom of the design as shown in FIG. 8.

Primary Examiner—Marcus A. Jackson

(74) *Attorney, Agent, or Firm*—Venable; Robert Kinberg

1 Claim, 13 Drawing Sheets



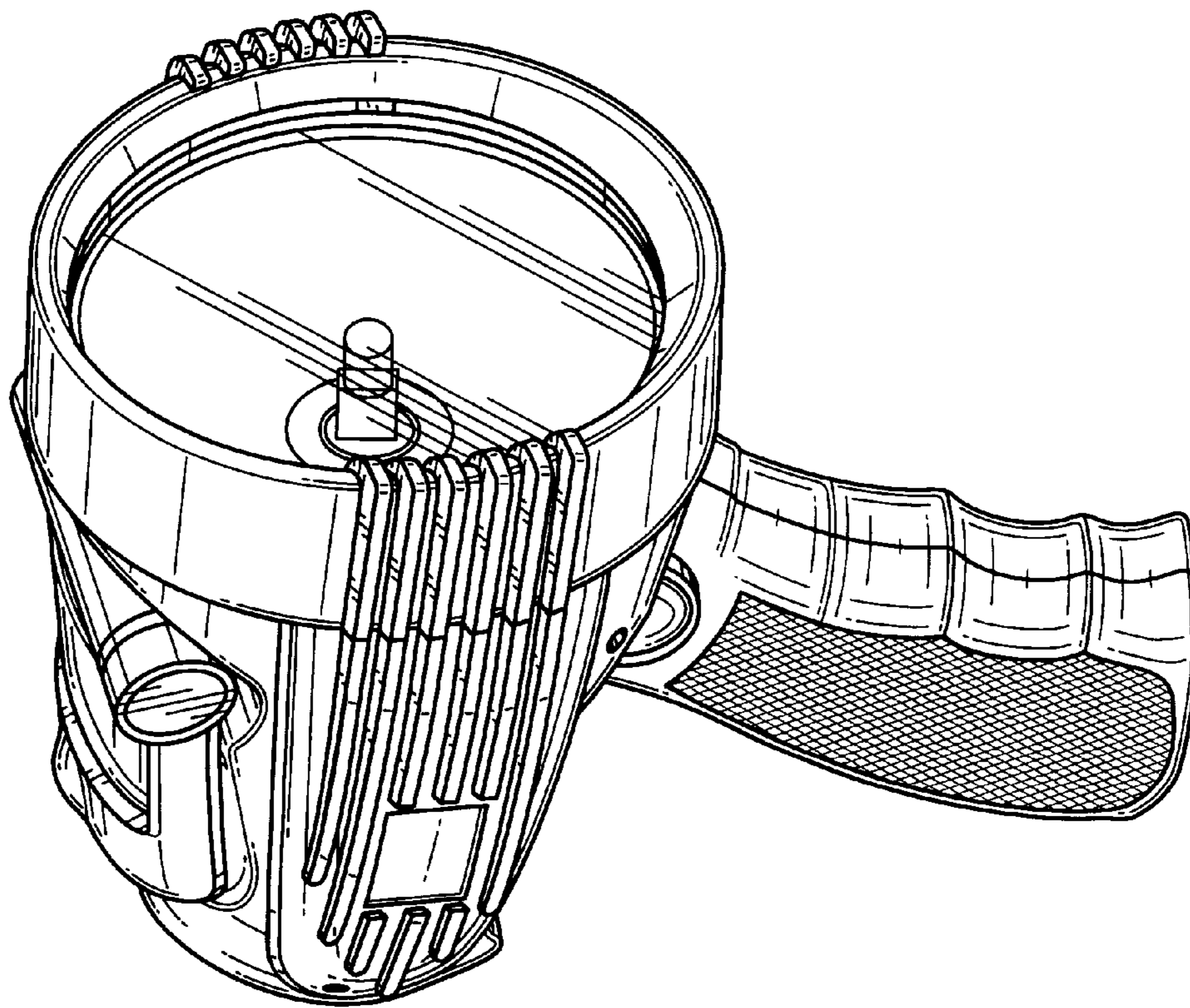


FIG. 1

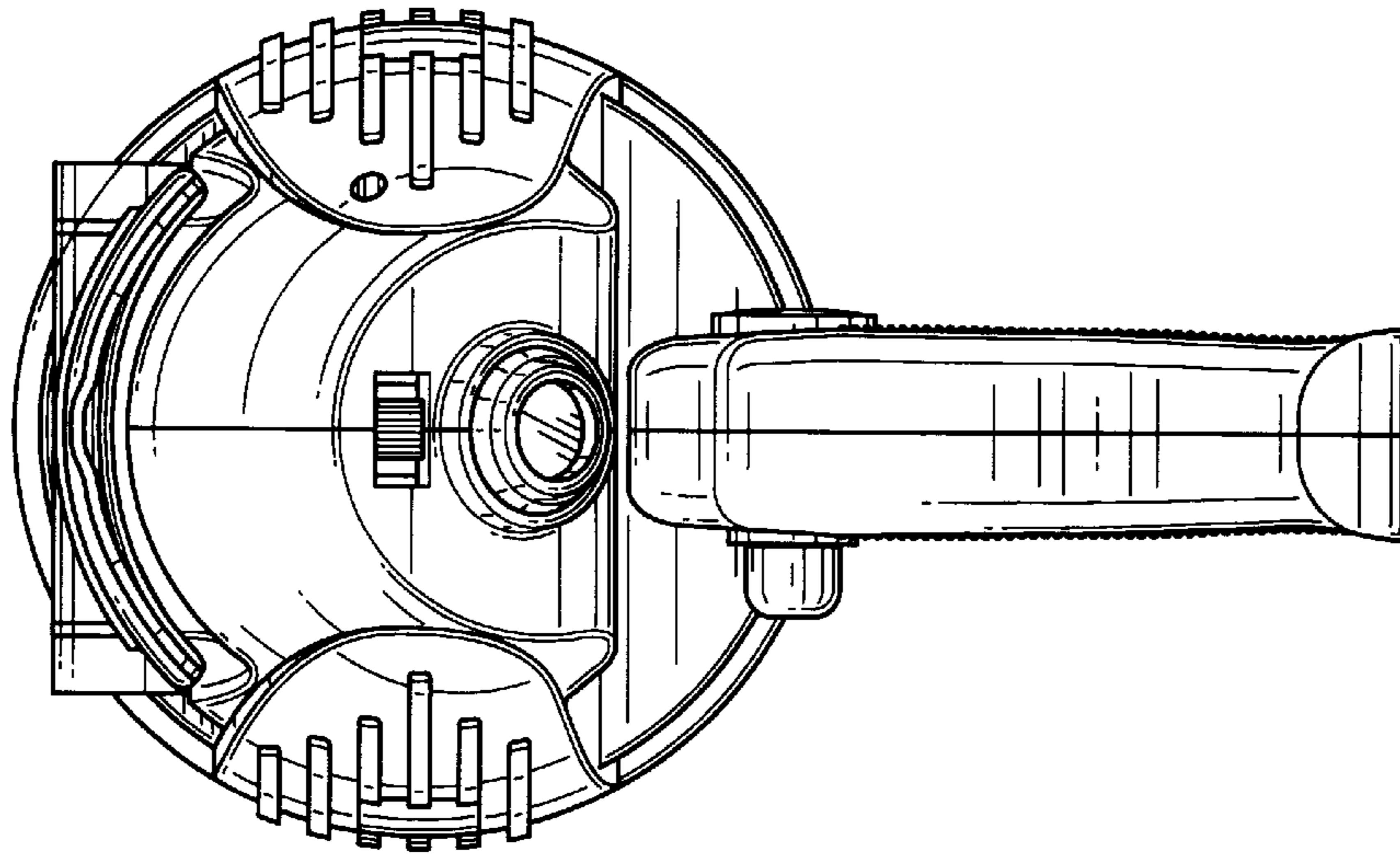


FIG. 3

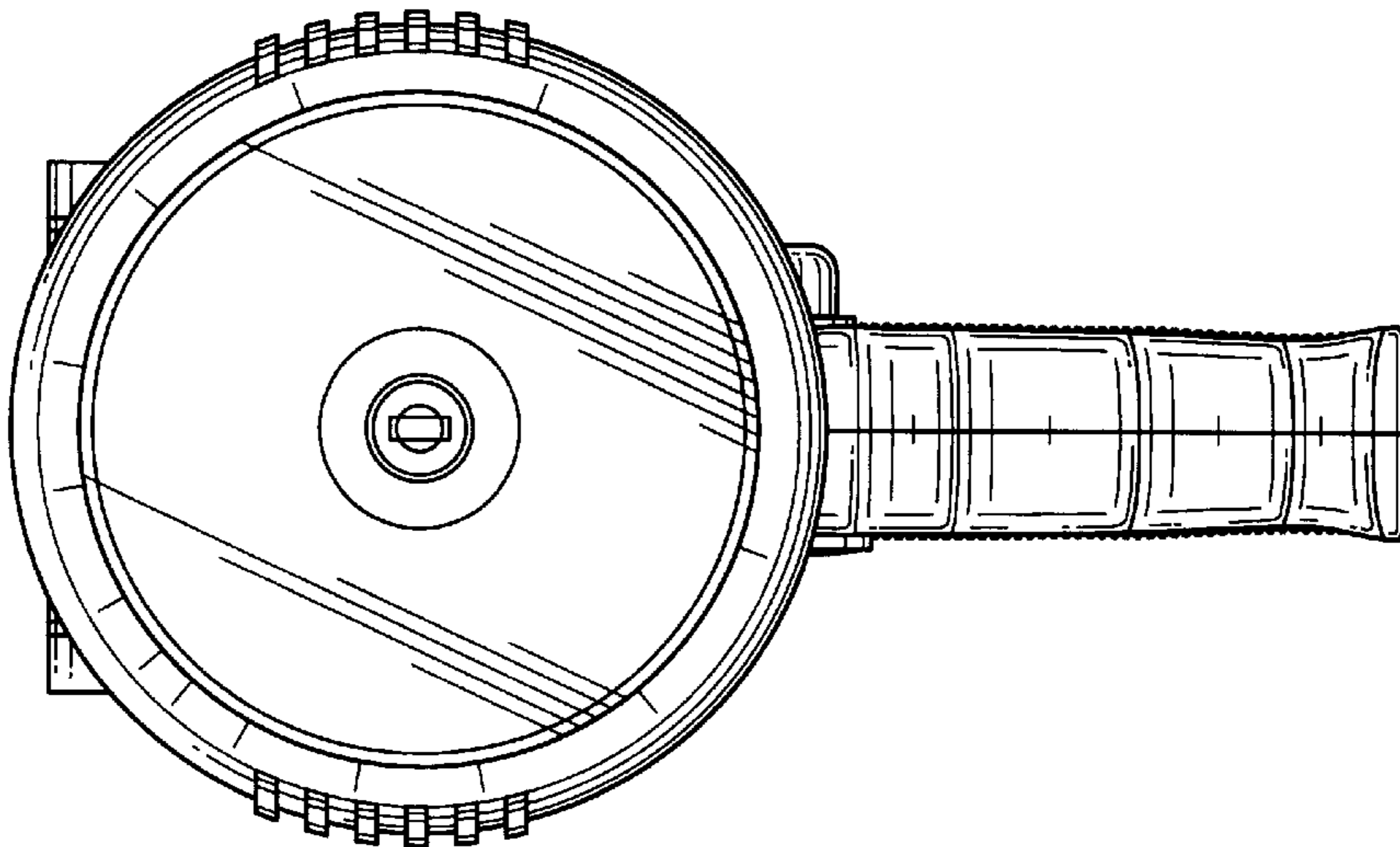


FIG. 2

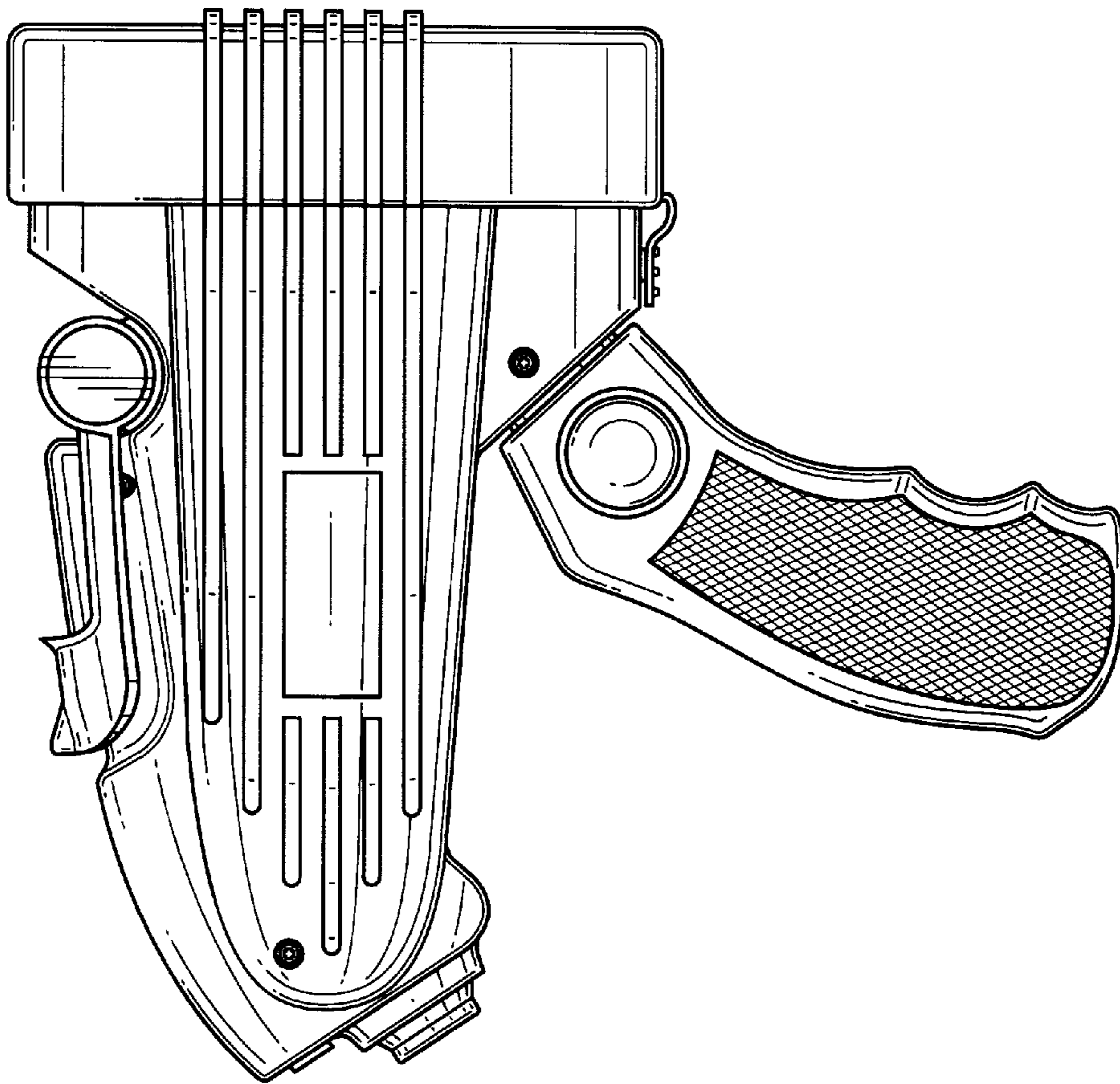


FIG. 4

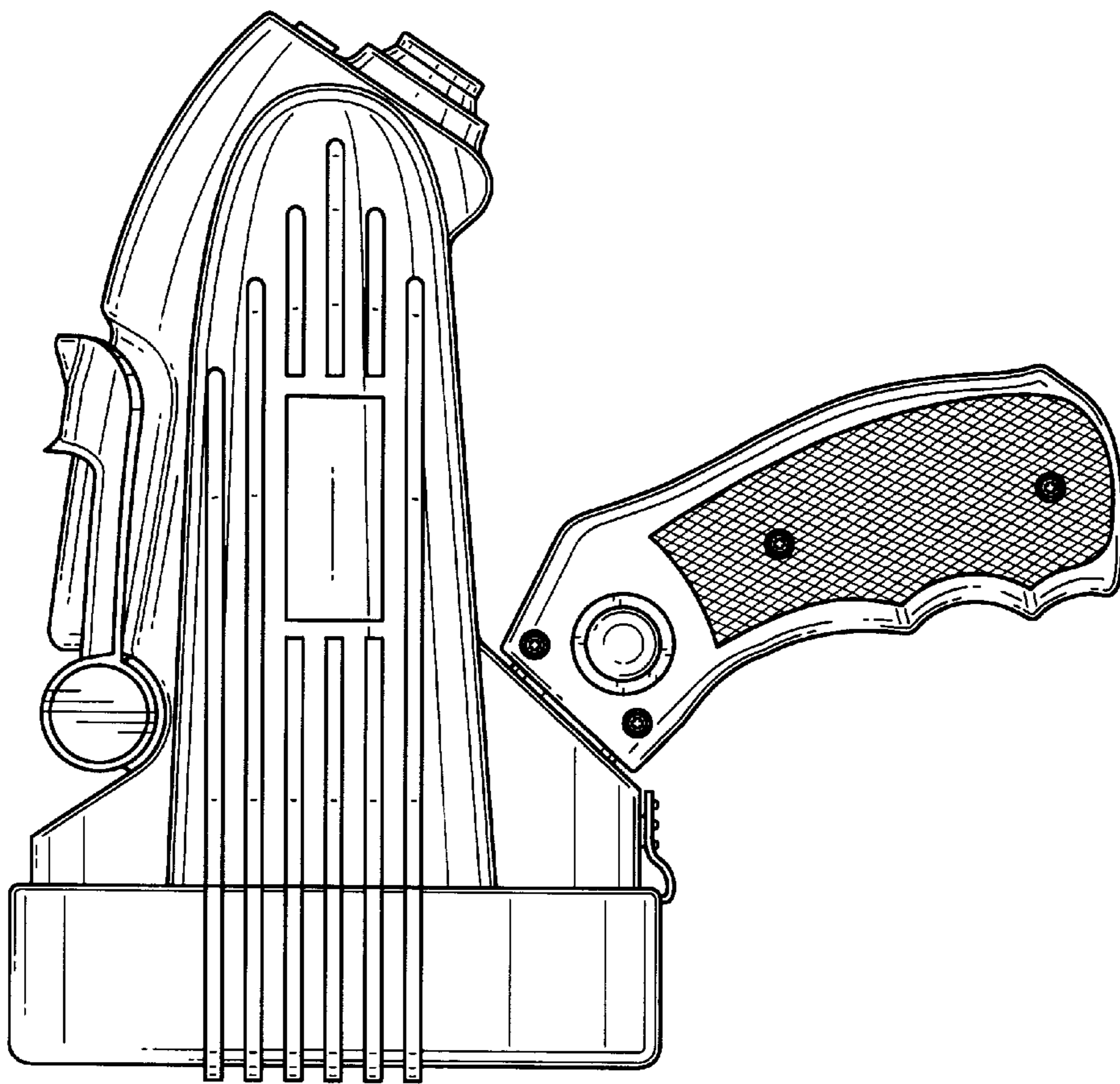


FIG. 5

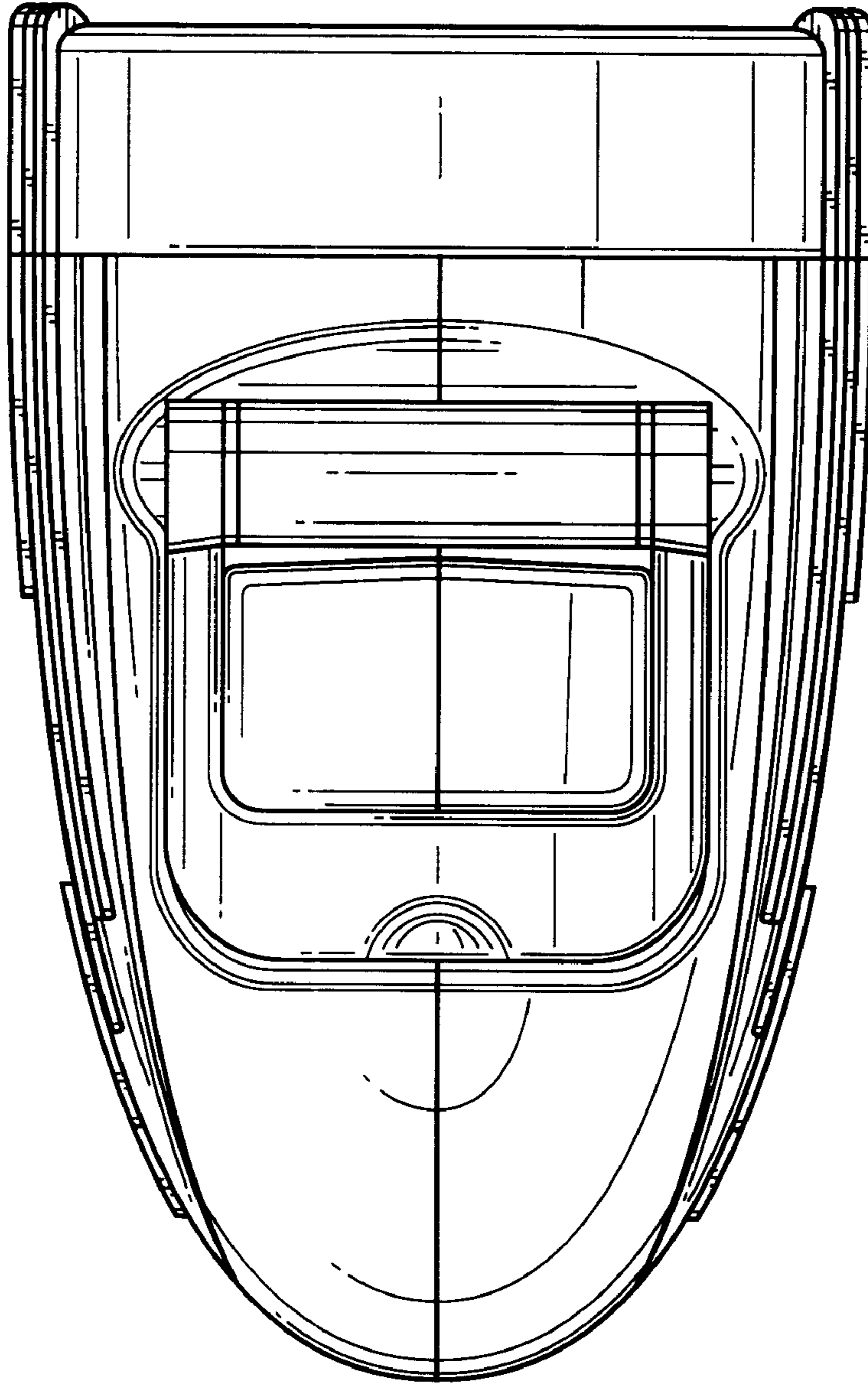


FIG. 6

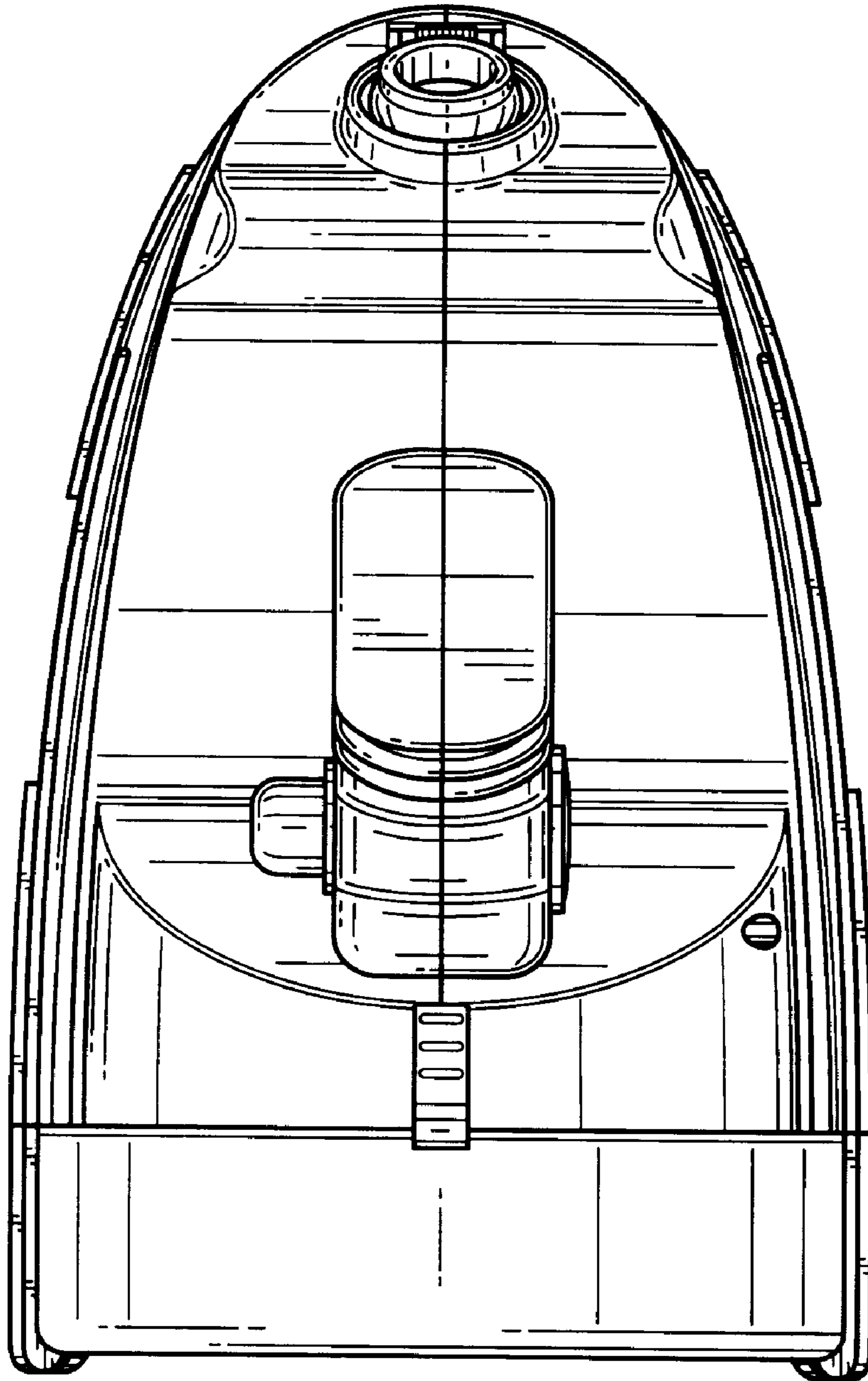


FIG. 7

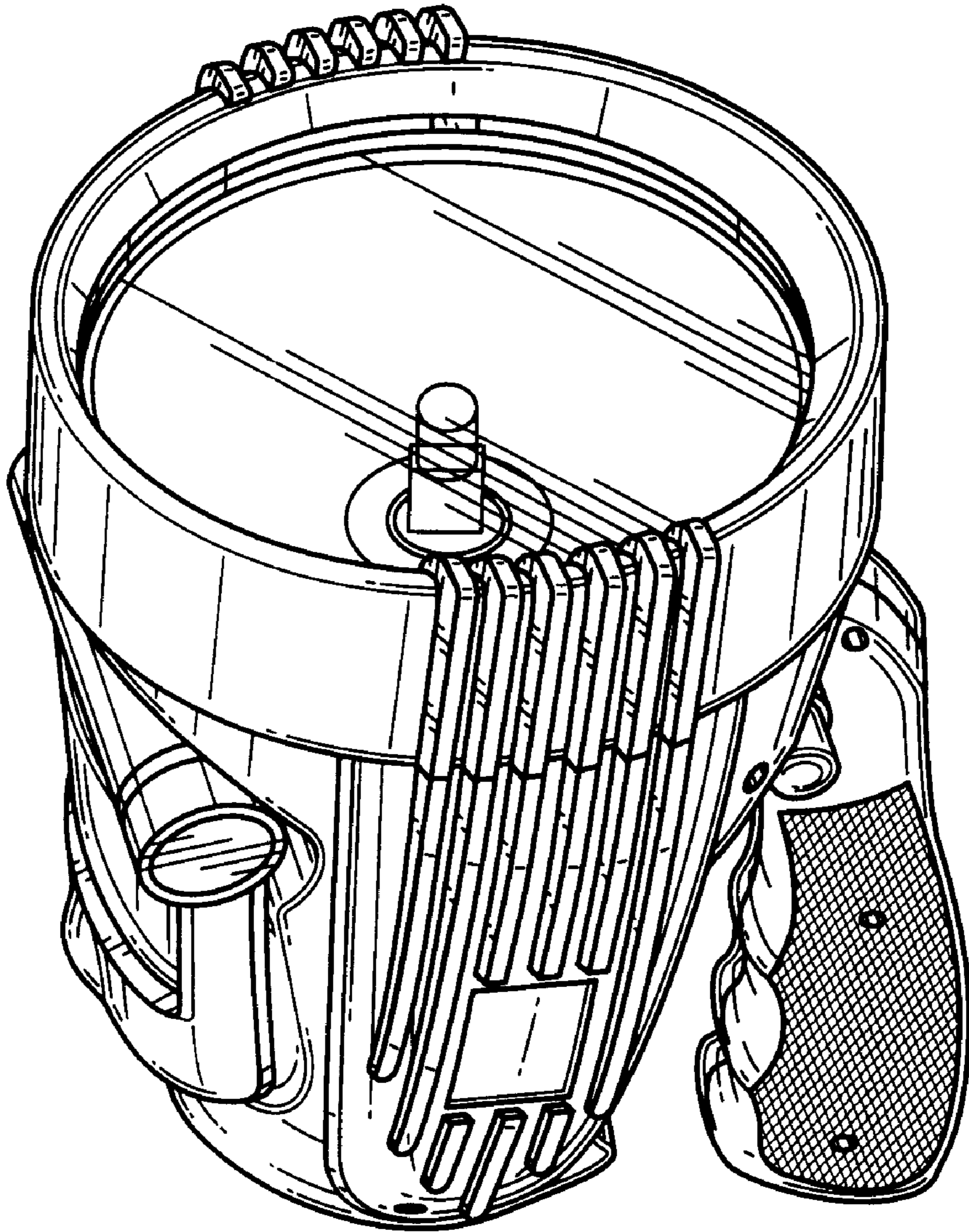


FIG. 8

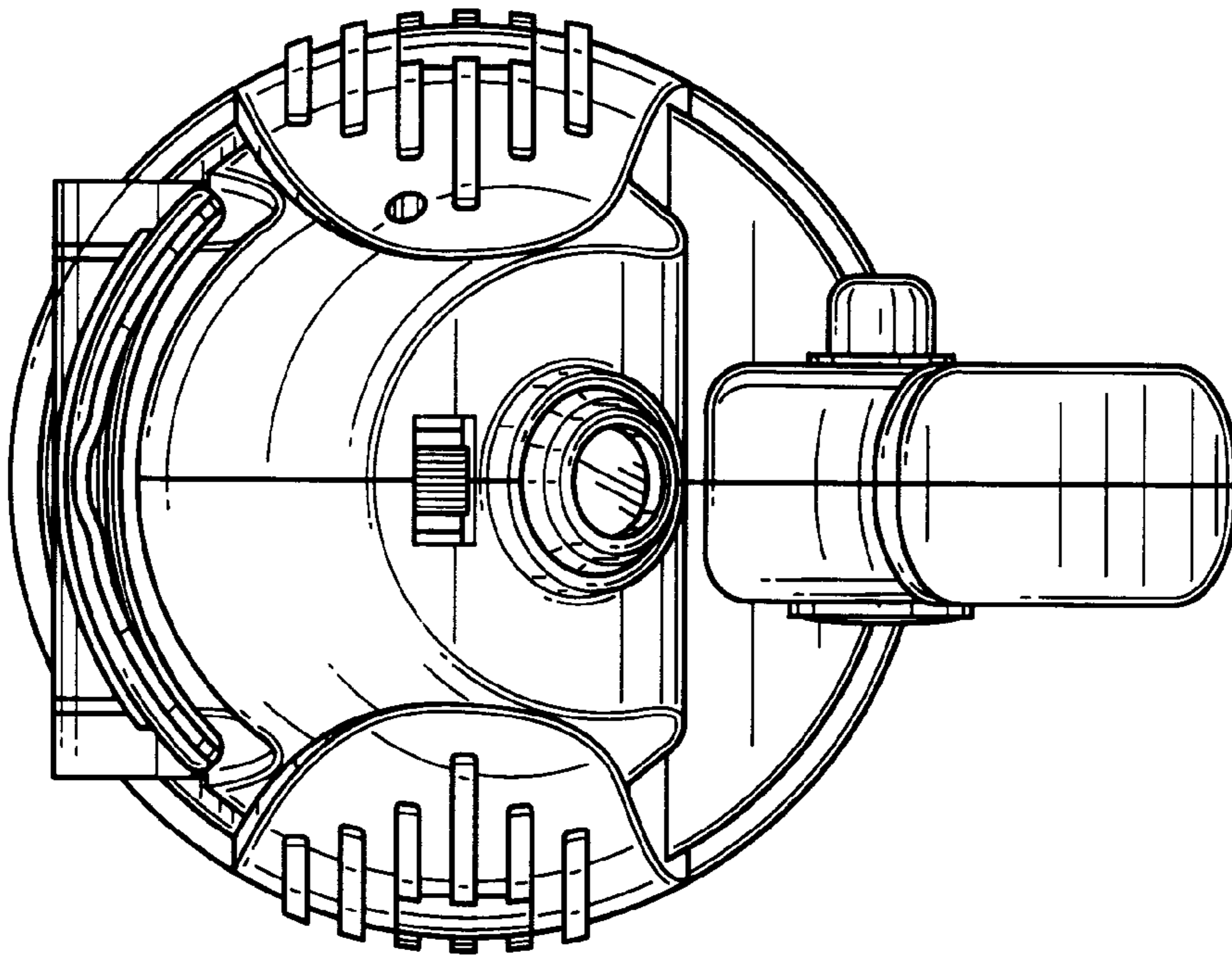


FIG. 10

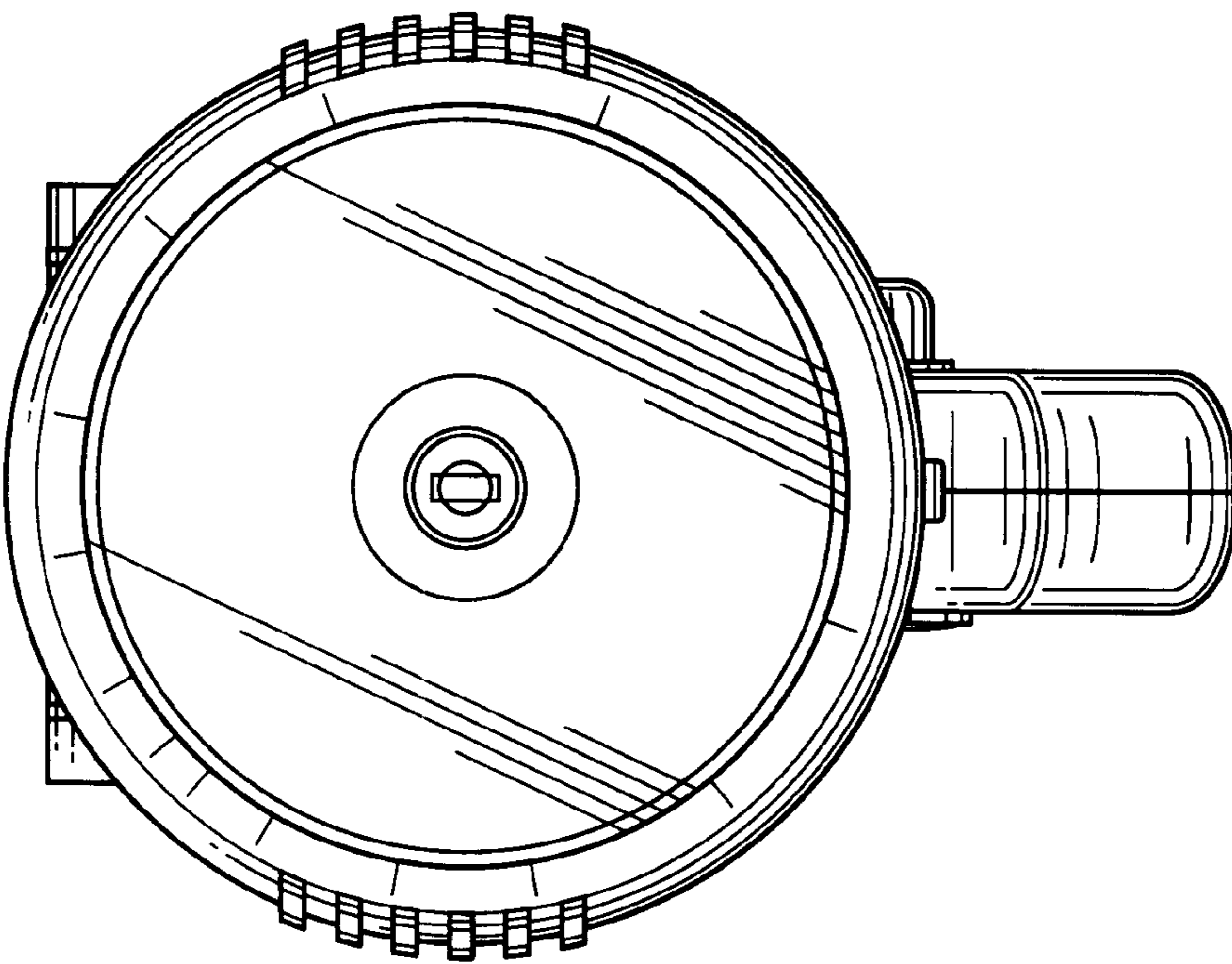


FIG. 9

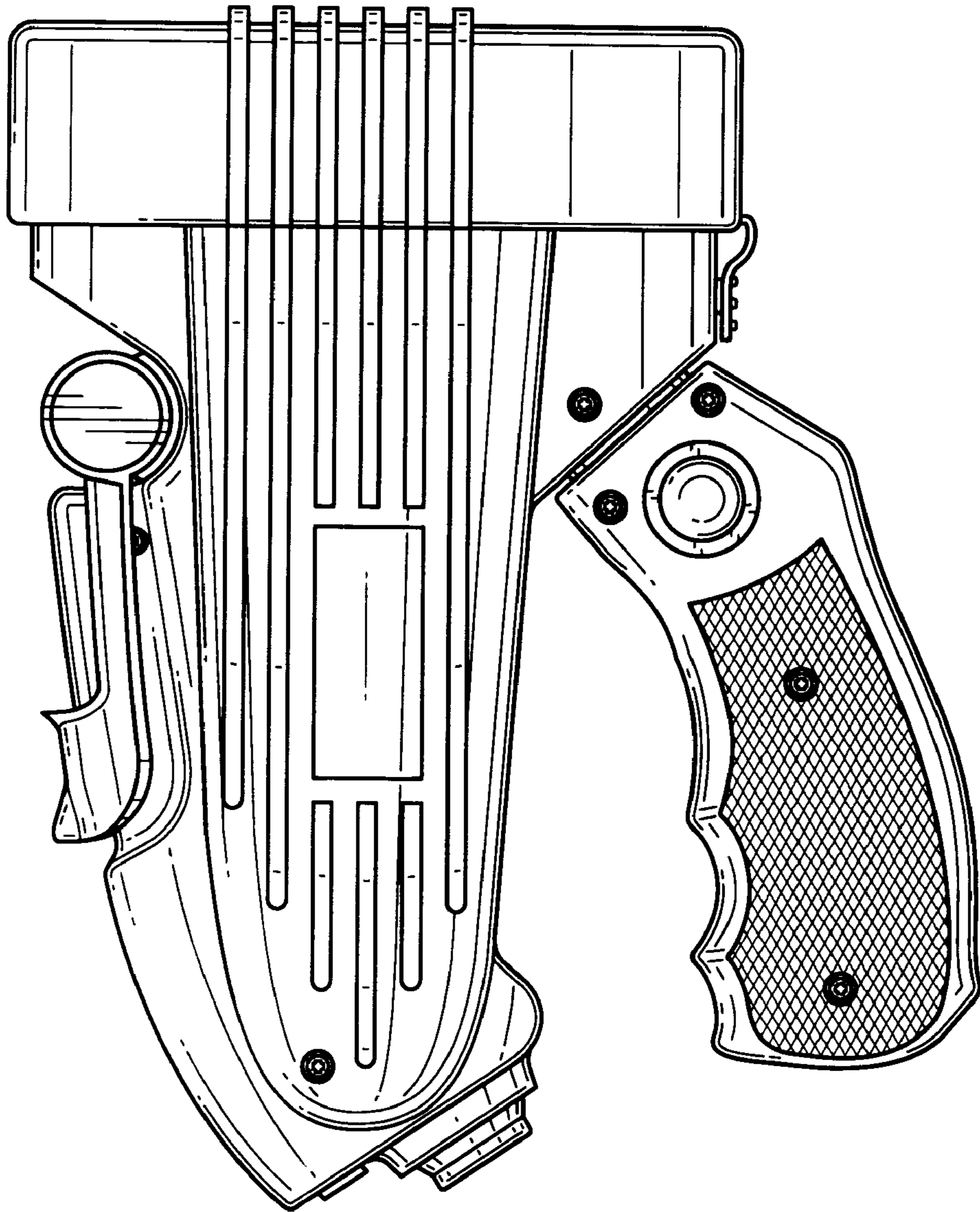


FIG. 11

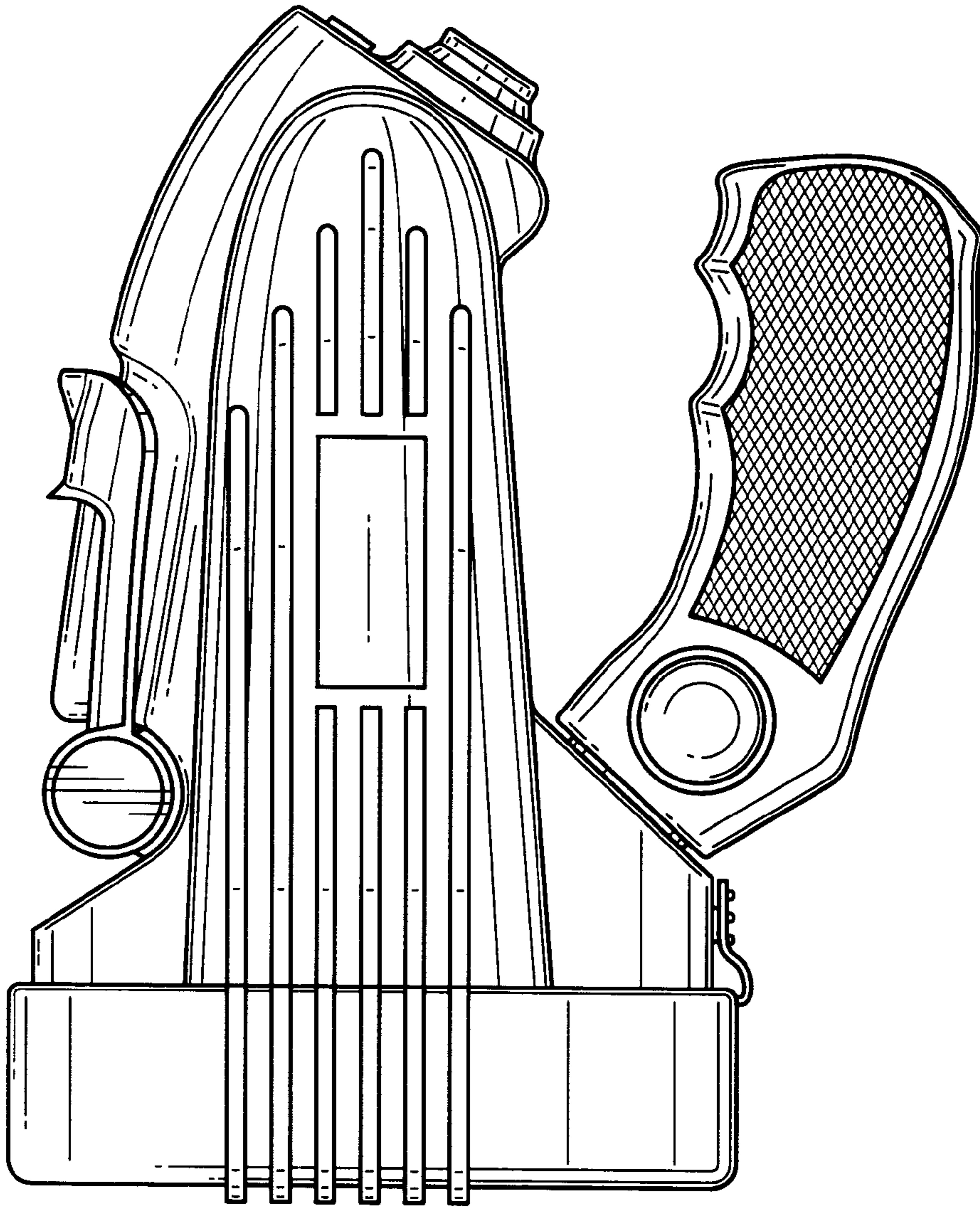


FIG. 12

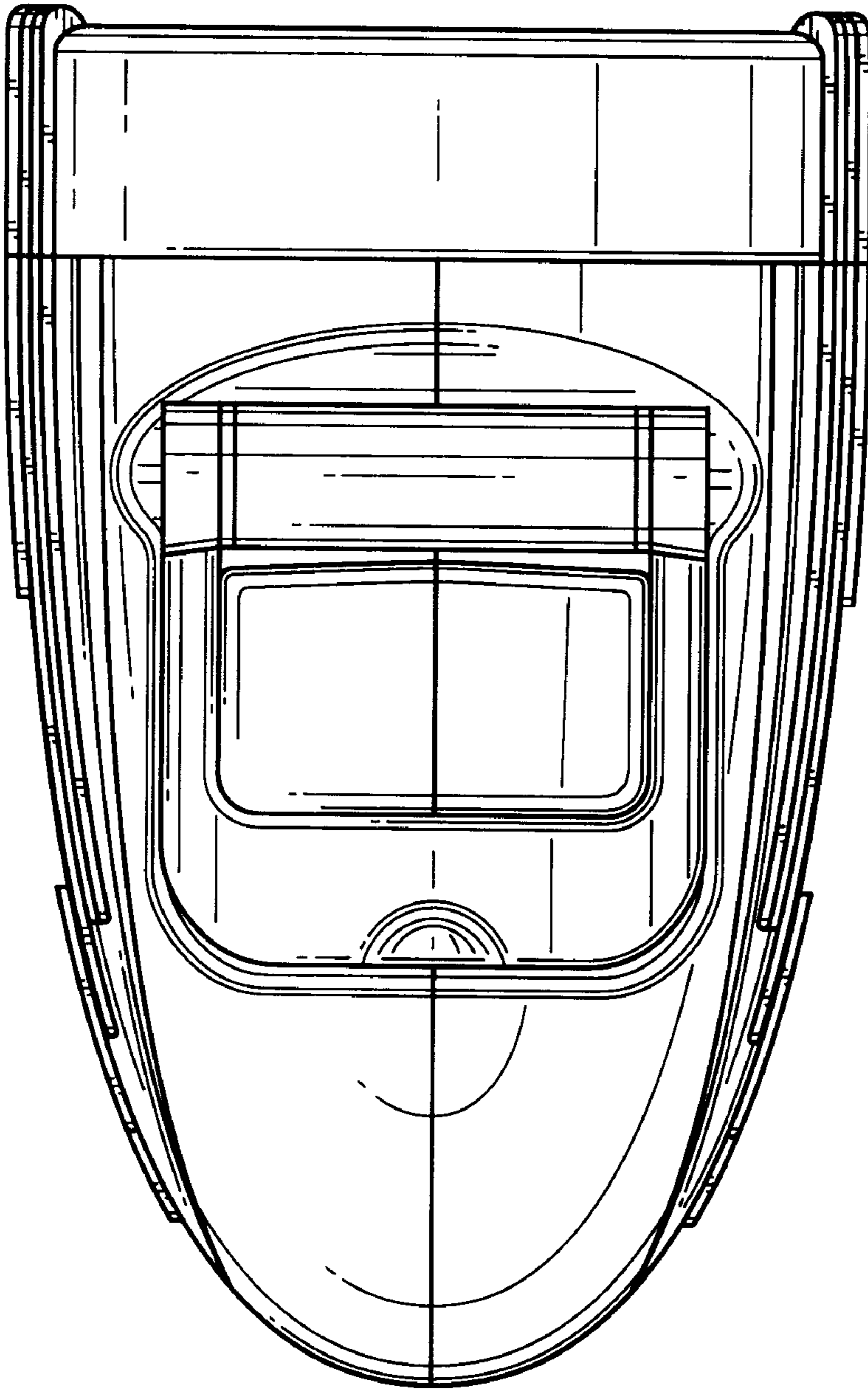


FIG. 13

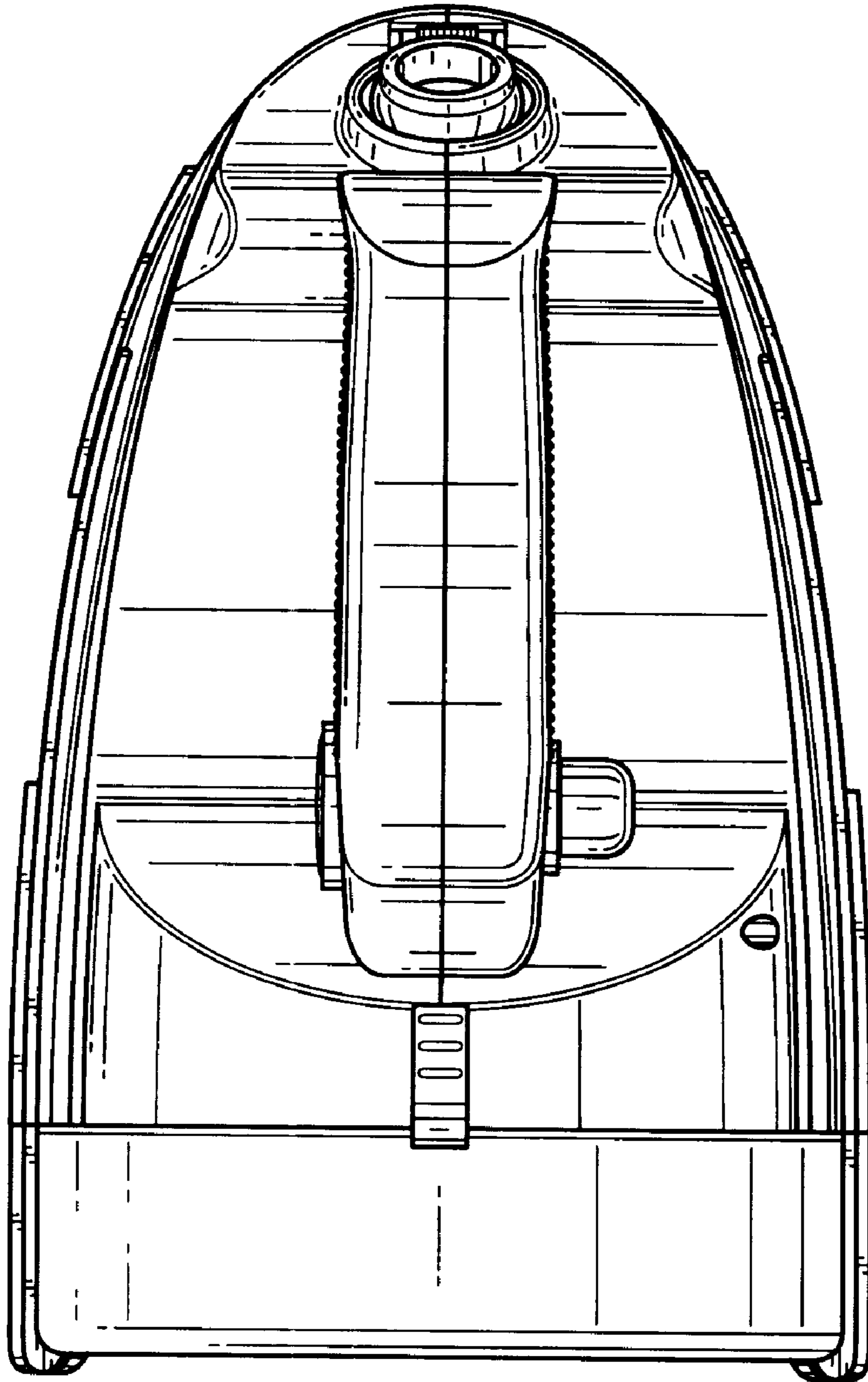


FIG. 14

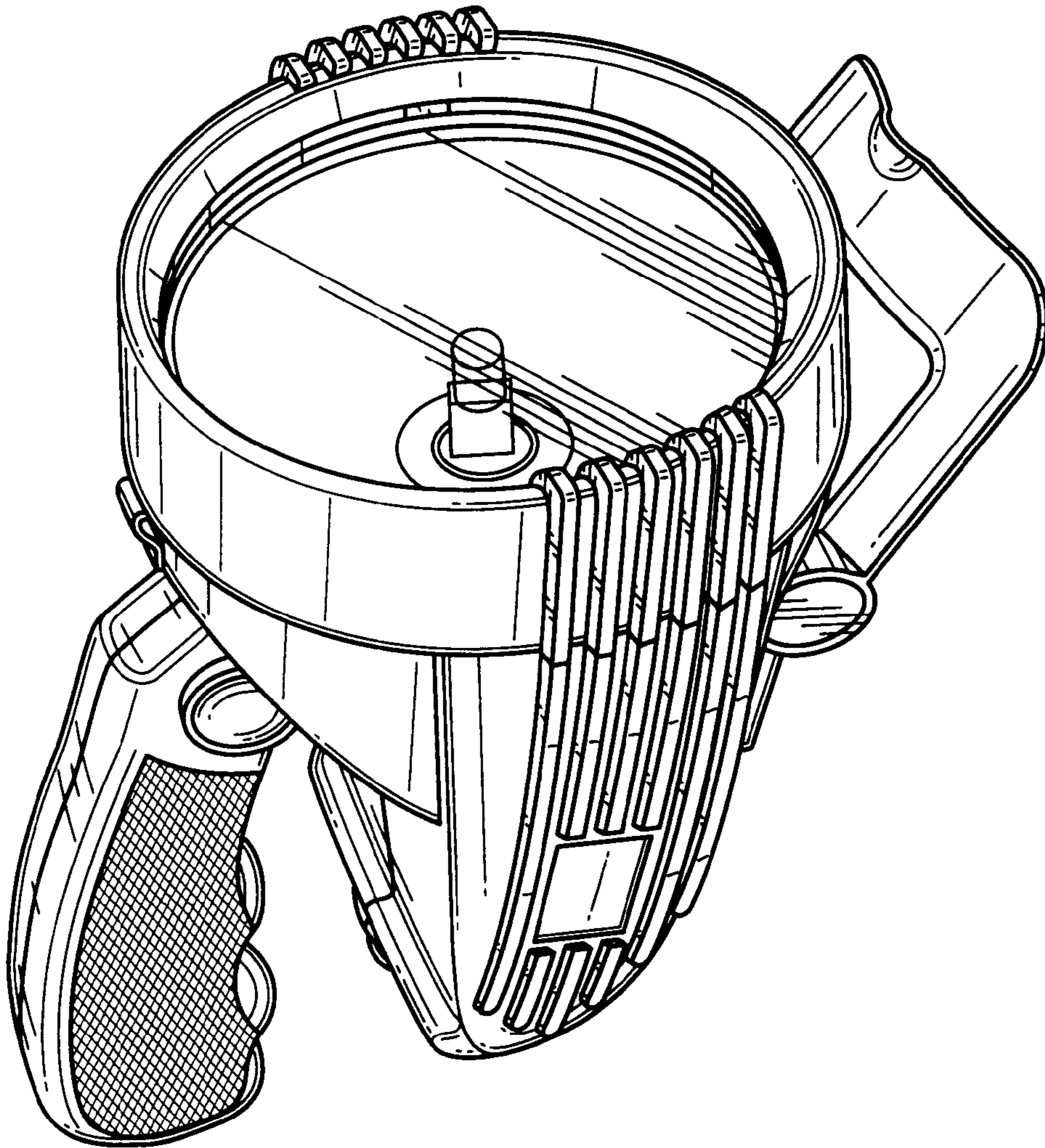


FIG. 15