



US00D462469S

(12) **United States Design Patent**
Poon

(10) **Patent No.:** **US D462,469 S**

(45) **Date of Patent:** **** Sep. 3, 2002**

(54) **LANTERN**

D451,220 S * 11/2001 Long et al. D26/37

(75) **Inventor:** **Tit Wing Poon, Shatin (HK)**

* cited by examiner

(73) **Assignee:** **Flying Dragon Development Ltd.,
Shatin (CN)**

Primary Examiner—Marcus A. Jackson
(74) *Attorney, Agent, or Firm*—Alix, Yale & Ristas, LLP

(**) **Term:** **14 Years**

(57) **CLAIM**

(21) **Appl. No.:** **29/150,752**

The ornamental design for a lantern, as shown and described.

(22) **Filed:** **Nov. 29, 2001**

DESCRIPTION

(30) **Foreign Application Priority Data**

May 31, 2001 (HK) 0110823

FIG. 1 is a front perspective view of the lantern showing my new design;

(51) **LOC (7) Cl.** **26-02**

FIG. 2 is a front view of the lantern of FIG. 1;

(52) **U.S. Cl.** **D26/37; D26/46**

FIG. 3 is a left side view of the lantern of FIG. 1;

(58) **Field of Search** **D26/37-50; 362/157,
362/158, 171, 172, 173, 181-208**

FIG. 4 is a top plan view of the lantern of FIG. 1;

FIG. 5 is a rear view of the lantern of FIG. 1;

(56) **References Cited**

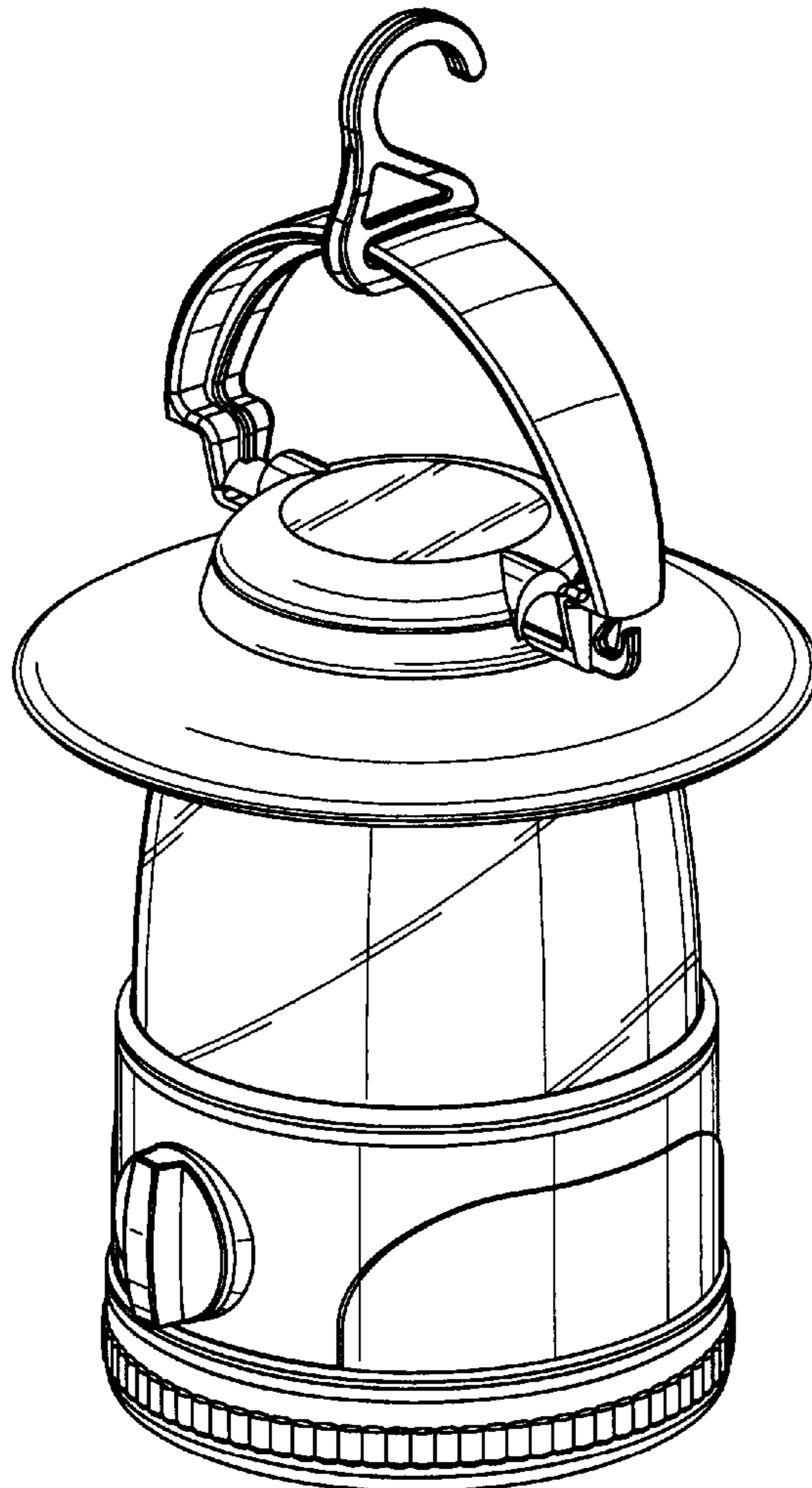
FIG. 6 is a right side view of the lantern of FIG. 1; and,

FIG. 7 is a bottom plan view of the lantern of FIG. 1.

U.S. PATENT DOCUMENTS

D422,725 S * 4/2000 Leonard D26/37

1 Claim, 3 Drawing Sheets



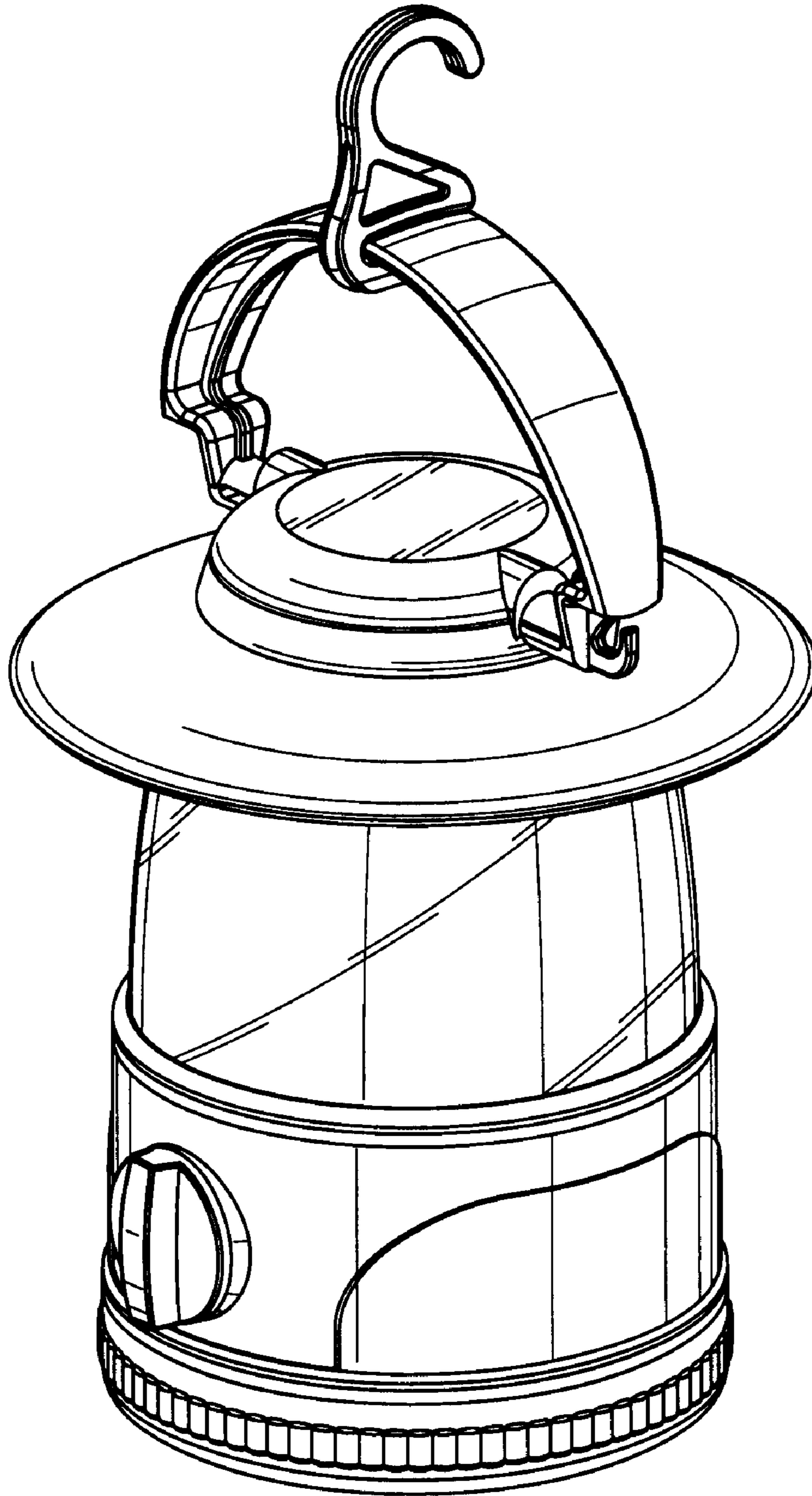


FIG. 1

FIG. 4

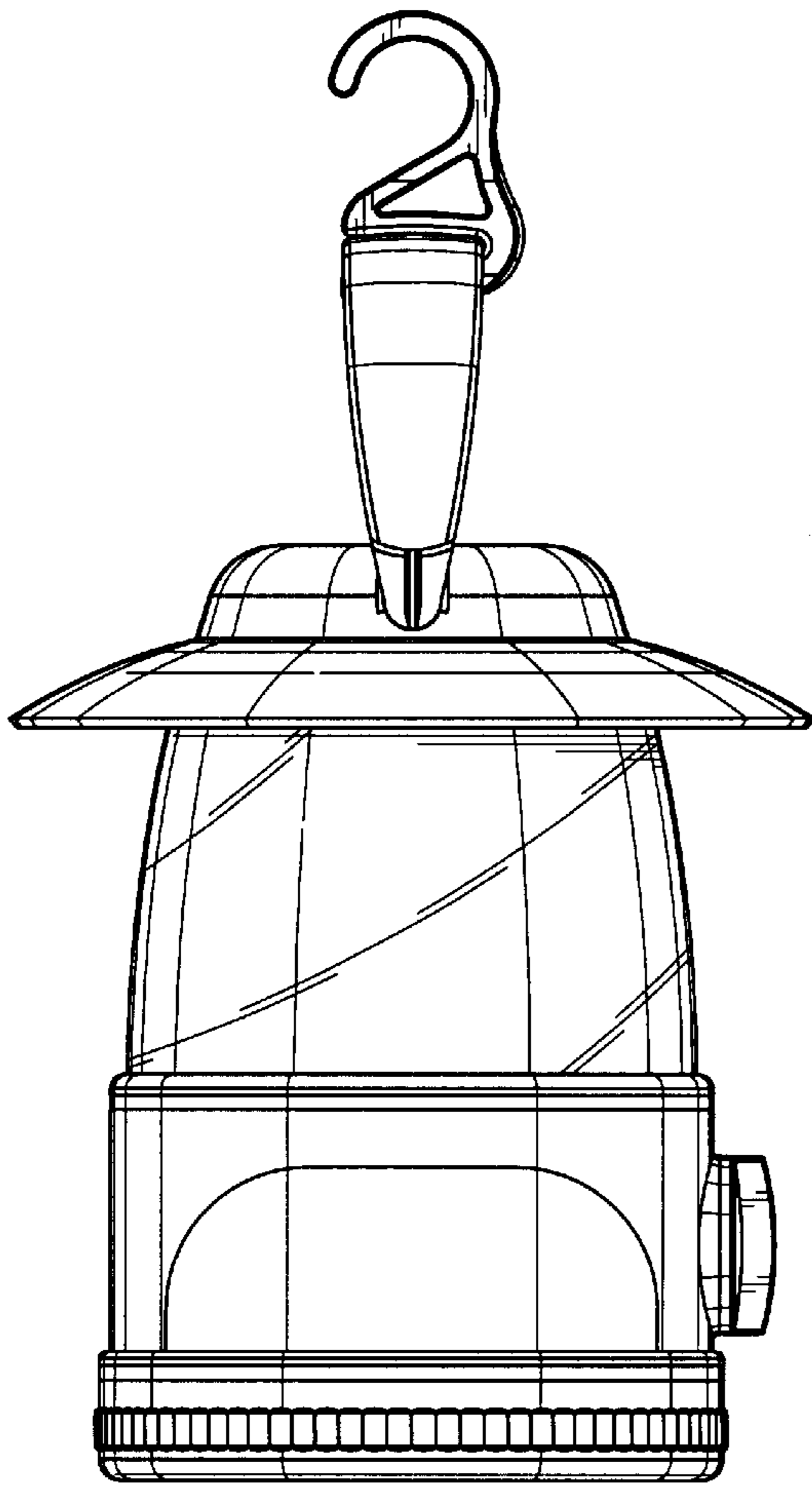
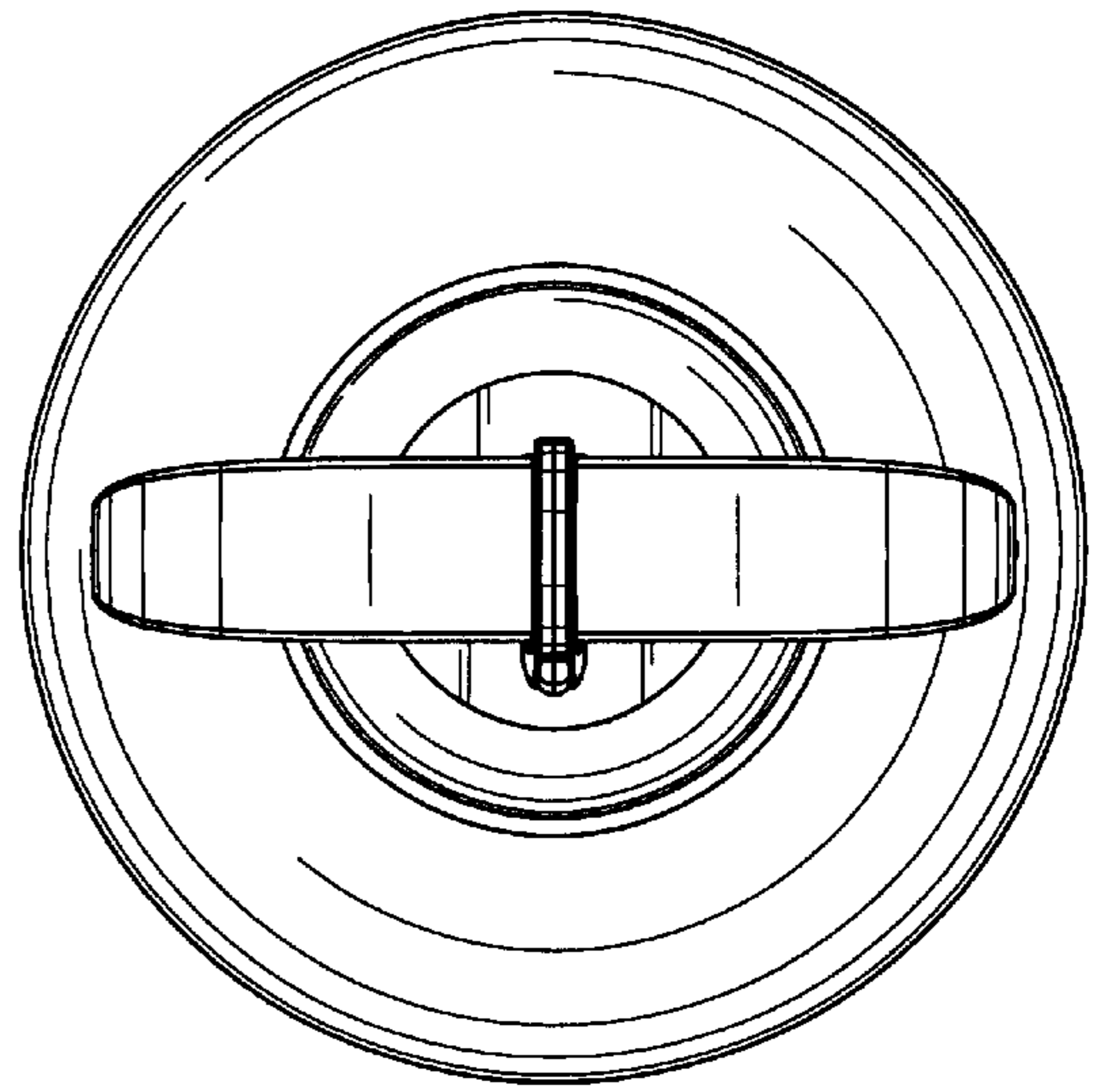


FIG. 3

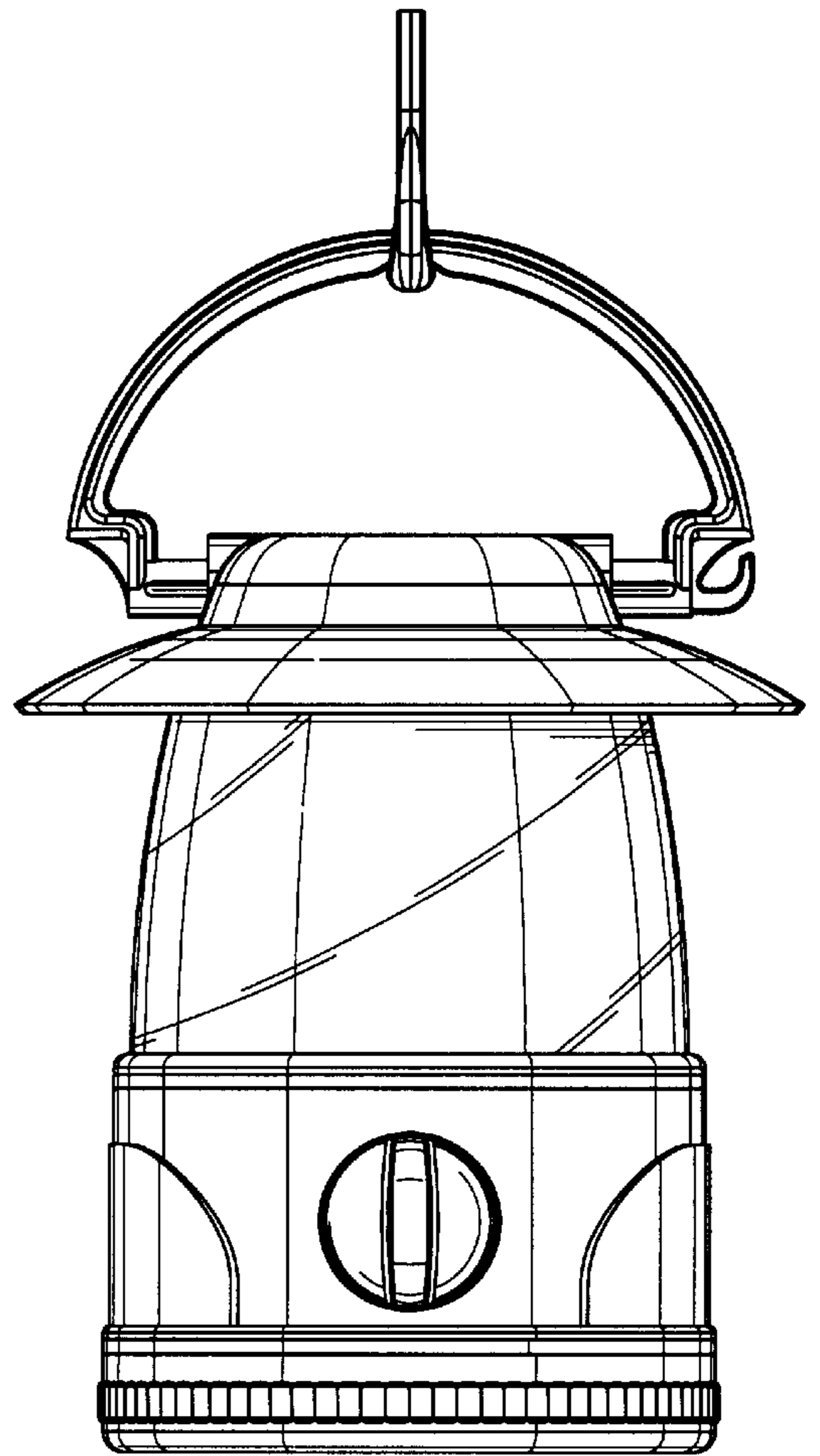


FIG. 2

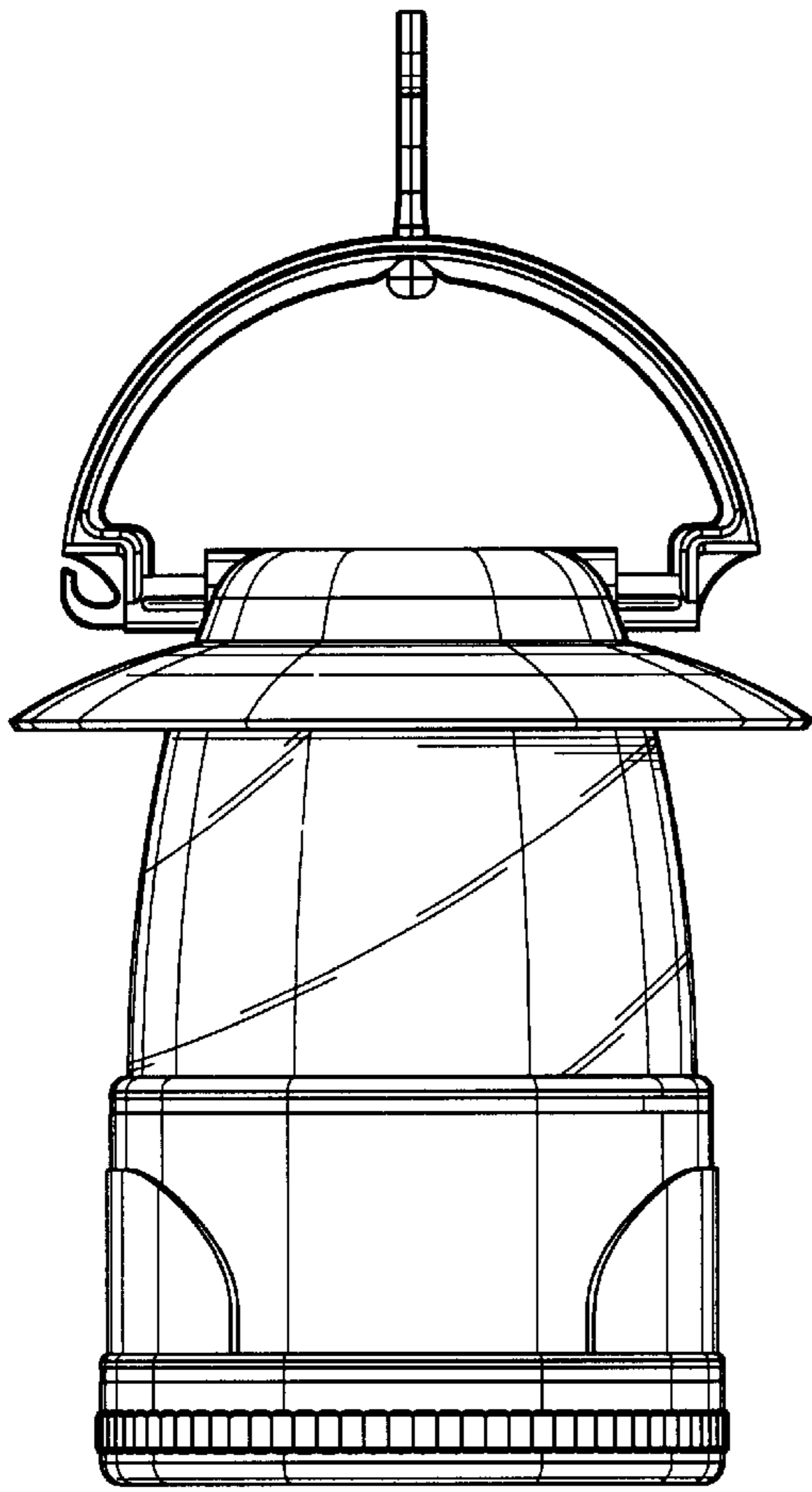


FIG. 5

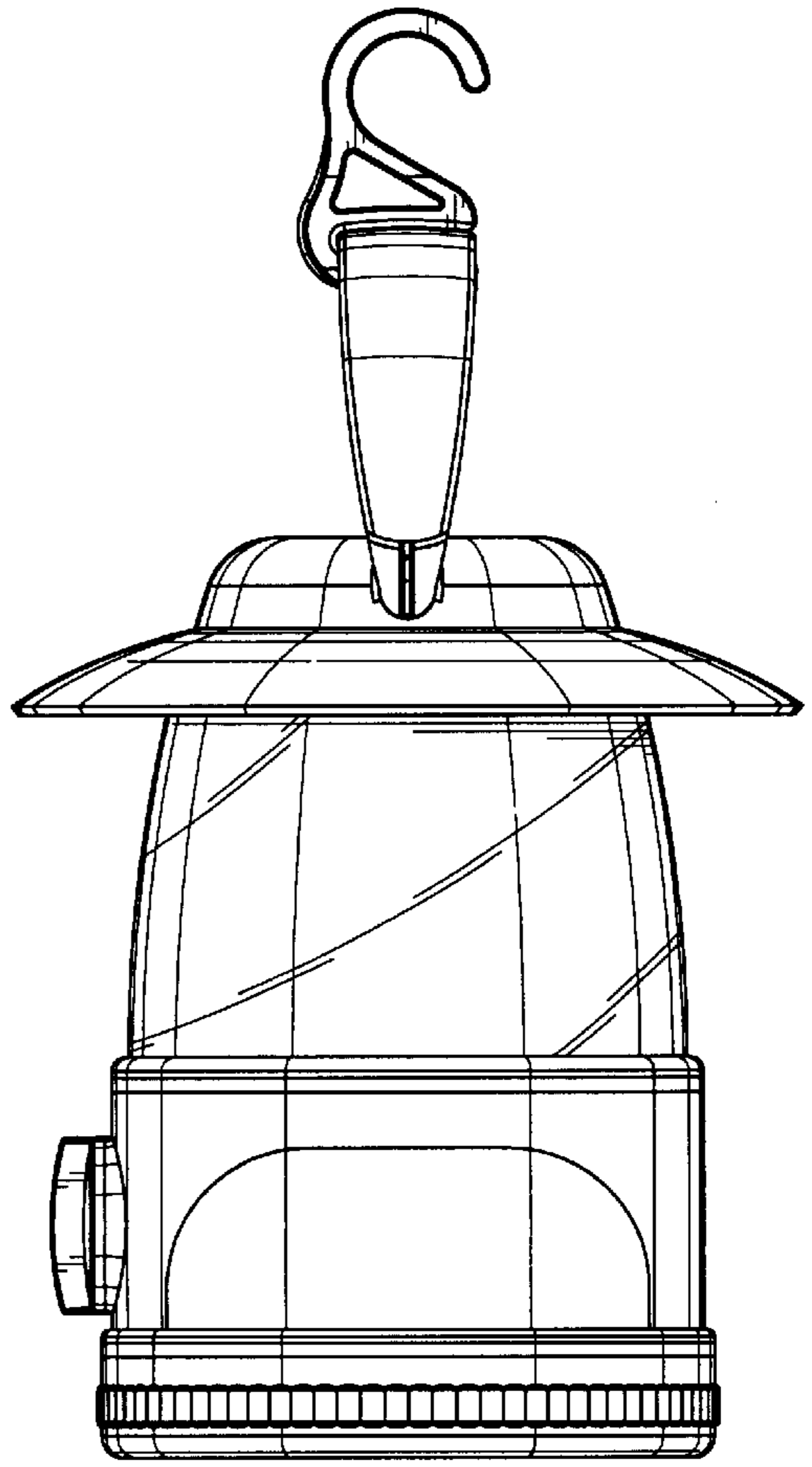


FIG. 6

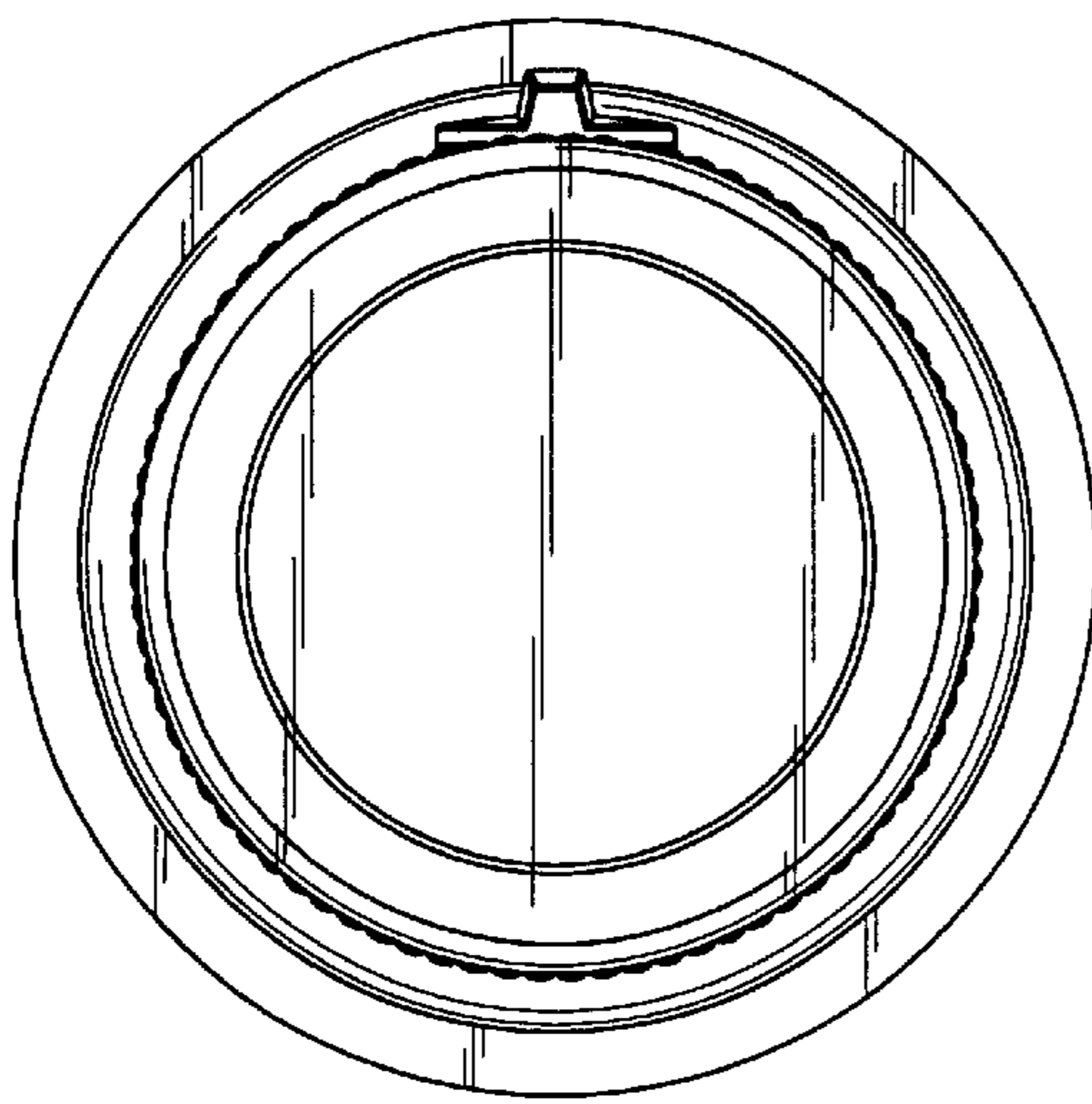


FIG. 7