

US00D462458S

(12) **United States Design Patent**
Hughes et al.

(10) **Patent No.:** **US D462,458 S**

(45) **Date of Patent:** **** Sep. 3, 2002**

(54) **DECKING PLANK**

D426,320 S * 6/2000 Andres D25/122
6,133,349 A 10/2000 Hughes

(76) Inventors: **Roderick E. Hughes**, 2015 Yacht
Mischief, Newport Beach, CA (US)
92660; **Kevin Fidati**, 360 Thornton Dr.,
Fayetteville, GA (US) 30214; **Joe**
Schiff, 511 Manderstone, Peachtree
City, GA (US) 30269; **Jack Cuttle**, 177
Peters Rd., Fairburn, GA (US) 30213;
George Vuduris, 206 Pinnacle Ct.,
Peachtree City, GA (US) 30269

(**) Term: **14 Years**

(21) Appl. No.: **29/135,697**

(22) Filed: **Jan. 16, 2001**

(51) **LOC (7) Cl.** **25-01**

(52) **U.S. Cl.** **D25/122**

(58) **Field of Search** D25/138, 122;
14/73; 405/4, 195.1; 52/650.3

(56) **References Cited**

U.S. PATENT DOCUMENTS

- 3,554,494 A 1/1971 Bee
- 4,208,175 A 6/1980 Rosenbaum
- 4,453,357 A 6/1984 Zwilgmeyer
- 4,514,449 A 4/1985 Budich et al.
- 4,610,902 A 9/1986 Eastman
- 4,746,688 A 5/1988 Bistak et al.
- 4,972,537 A * 11/1990 Slaw, Sr. 14/73
- 5,077,948 A 1/1992 Olson et al.
- 5,100,109 A 3/1992 Robbins, III
- 5,329,741 A 7/1994 Nicolaidis et al.
- 5,404,685 A 4/1995 Collins
- 5,416,139 A 5/1995 Zeiszler
- 5,418,028 A 5/1995 DeWitt
- 5,706,620 A 1/1998 De Zen
- 5,743,986 A 4/1998 Colombo
- 5,883,191 A 3/1999 Hughes
- D409,869 S 5/1999 Marusak
- 5,953,876 A 9/1999 Johnson
- 6,039,307 A 3/2000 De Zen

OTHER PUBLICATIONS

Hughes, application Ser. # 09/488,172, filed Jan. 20, 2000,
Docket # 2764 CIP2

Hughes, application Ser. # 09/488,287, filed Jan. 20, 2000,
Docket # 2869

Hughes, application Ser. # 29/135,696, filed Jan. 16, 2001,
Docket # 2968D.

Hughes, application Ser. # 29/135,695, filed Jan. 16, 2001,
Docket # 2965.

Hughes, application Ser. # 29/135,708, filed Jan. 16, 2001,
Docket # 2966.

Hughes, application Ser. # 09/761,331, filed Jan. 16, 2001,
Docket # 2924.

* cited by examiner

Primary Examiner—Doris Clark

(74) *Attorney, Agent, or Firm*—Frank J. Uxa; Stout, Uxa,
Buyan & Mullins, LLP

(57) **CLAIM**

The ornamental design for decking plank, as shown and
described.

DESCRIPTION

FIG. 1 is a perspective view showing the top, front and left
side of the decking plank.

FIG. 2 is a view showing the back of the decking plank of
the present invention.

FIG. 3 is a view showing the right side of the decking plank
of the present invention.

FIG. 4 is a view showing the bottom of the decking plank of
the present invention; and,

FIG. 5 is an enlargement of area 5 in FIG. 2 of the decking
plank of the present invention.

The decking plank has been broken in the center indicating
indefinite length.

1 Claim, 1 Drawing Sheet

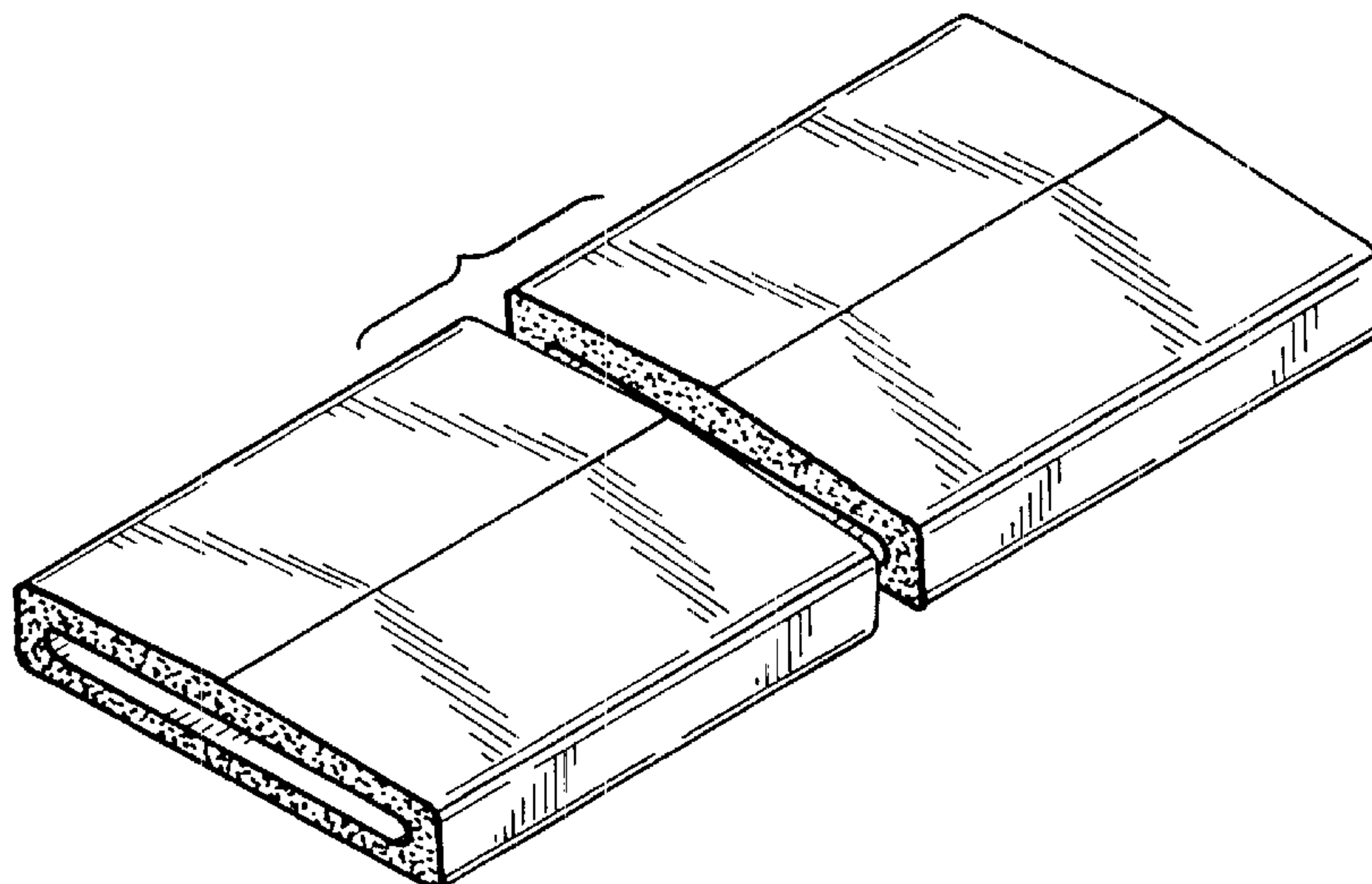


FIG. 1

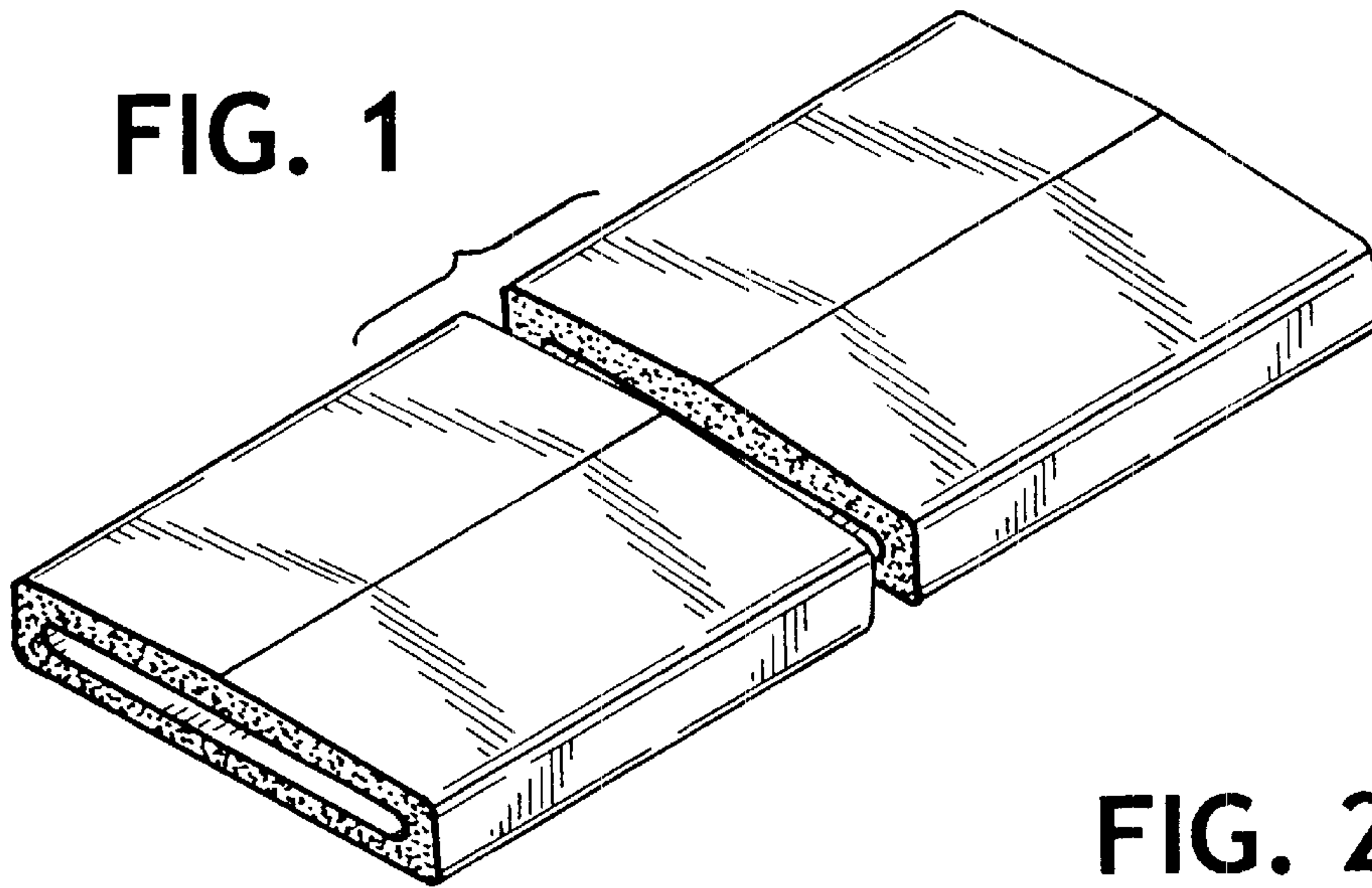


FIG. 2

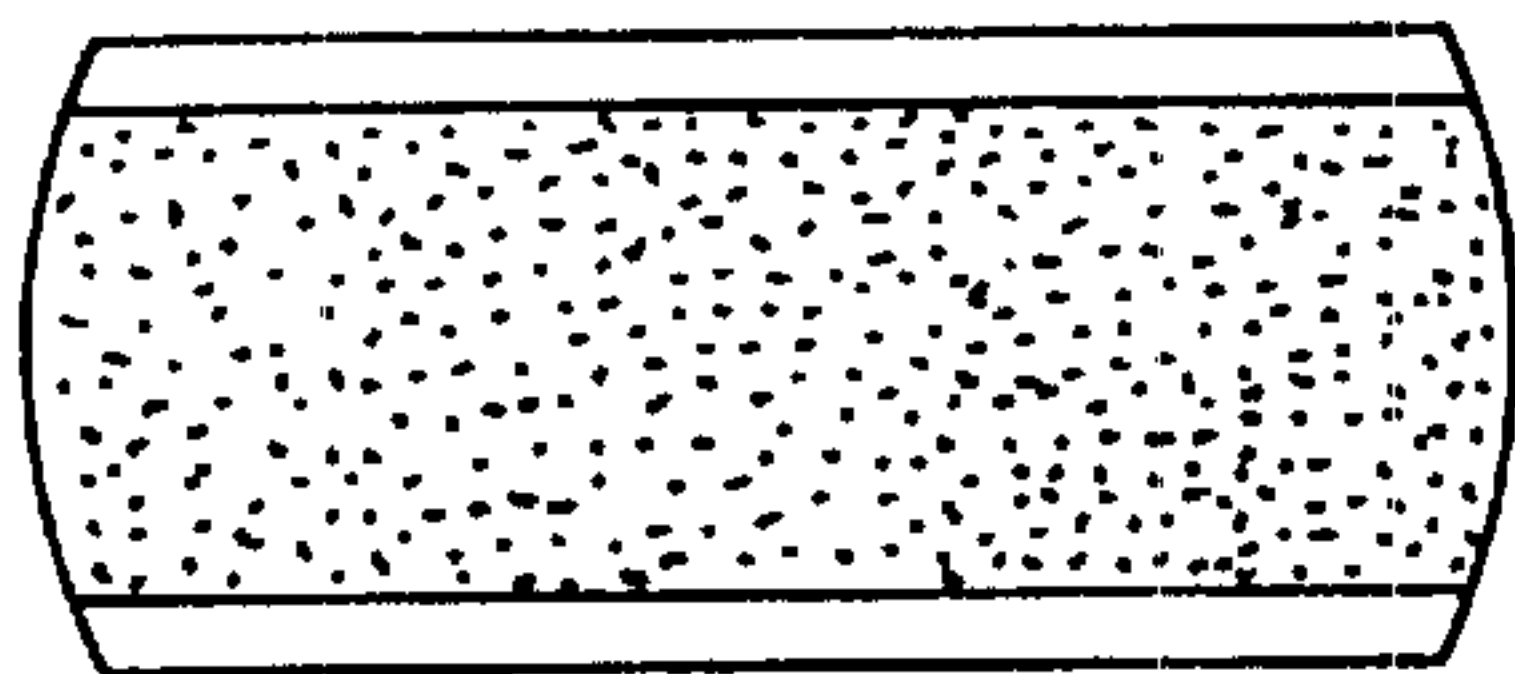
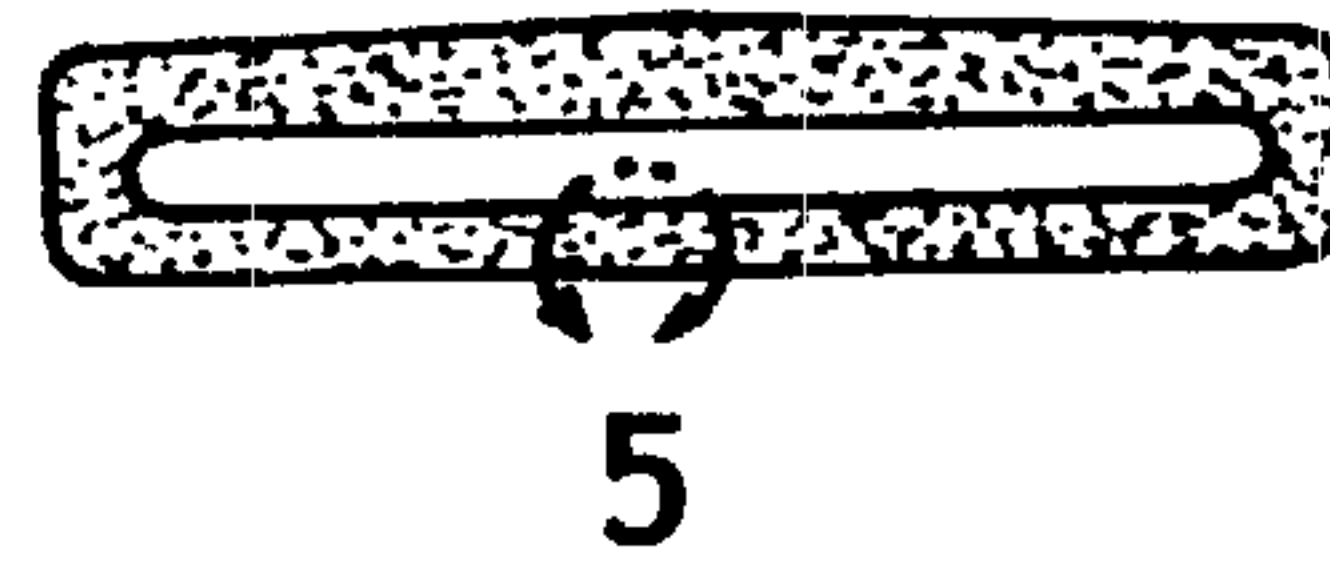


FIG. 5



FIG. 3

FIG. 4

