



US00D462454S

(12) **United States Design Patent**
Sutherland

(10) **Patent No.:** **US D462,454 S**

(45) **Date of Patent:** **** Sep. 3, 2002**

(54) **BENT WOOD ARBOR**

D194,992 S * 4/1963 Jacobsen D25/101

(76) Inventor: **Ted R. Sutherland**, 7763 Jay St.,
Pultneyville, NY (US) 14538

* cited by examiner

(**) Term: **14 Years**

Primary Examiner—Doris Clark

(74) *Attorney, Agent, or Firm*—Robert J. Bird

(21) Appl. No.: **29/129,159**

(22) Filed: **Sep. 11, 2000**

(57) **CLAIM**

The ornamental design for a bent wood arbor, as shown and described.

(51) **LOC (7) Cl.** **08-99**

DESCRIPTION

(52) **U.S. Cl.** **D25/100**

FIG. 1 is a front elevation view of a bent wood arbor of my design.

(58) **Field of Search** D25/100, 101;
47/70, 47

FIG. 2 is a perspective view of a bent wood arbor of my design; and,

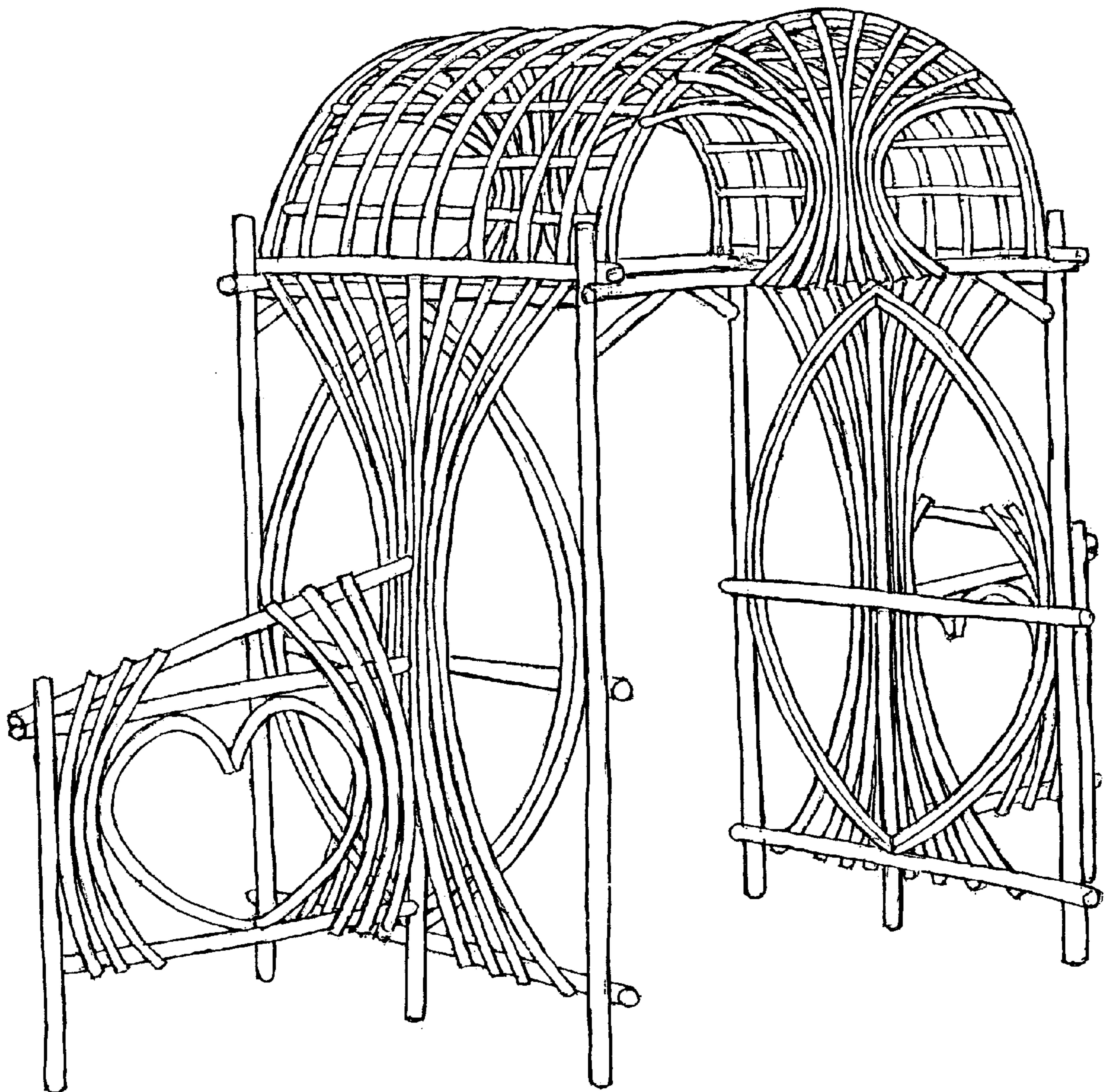
FIG. 3 is a second embodiment front elevation view of a bent wood arbor of my design the difference from the arbor in FIGS. 1 and 2 being in the side rails.

(56) **References Cited**

U.S. PATENT DOCUMENTS

D89,038 S * 1/1933 Gass 47/47
D158,627 S * 5/1950 Thompson D25/100

1 Claim, 3 Drawing Sheets



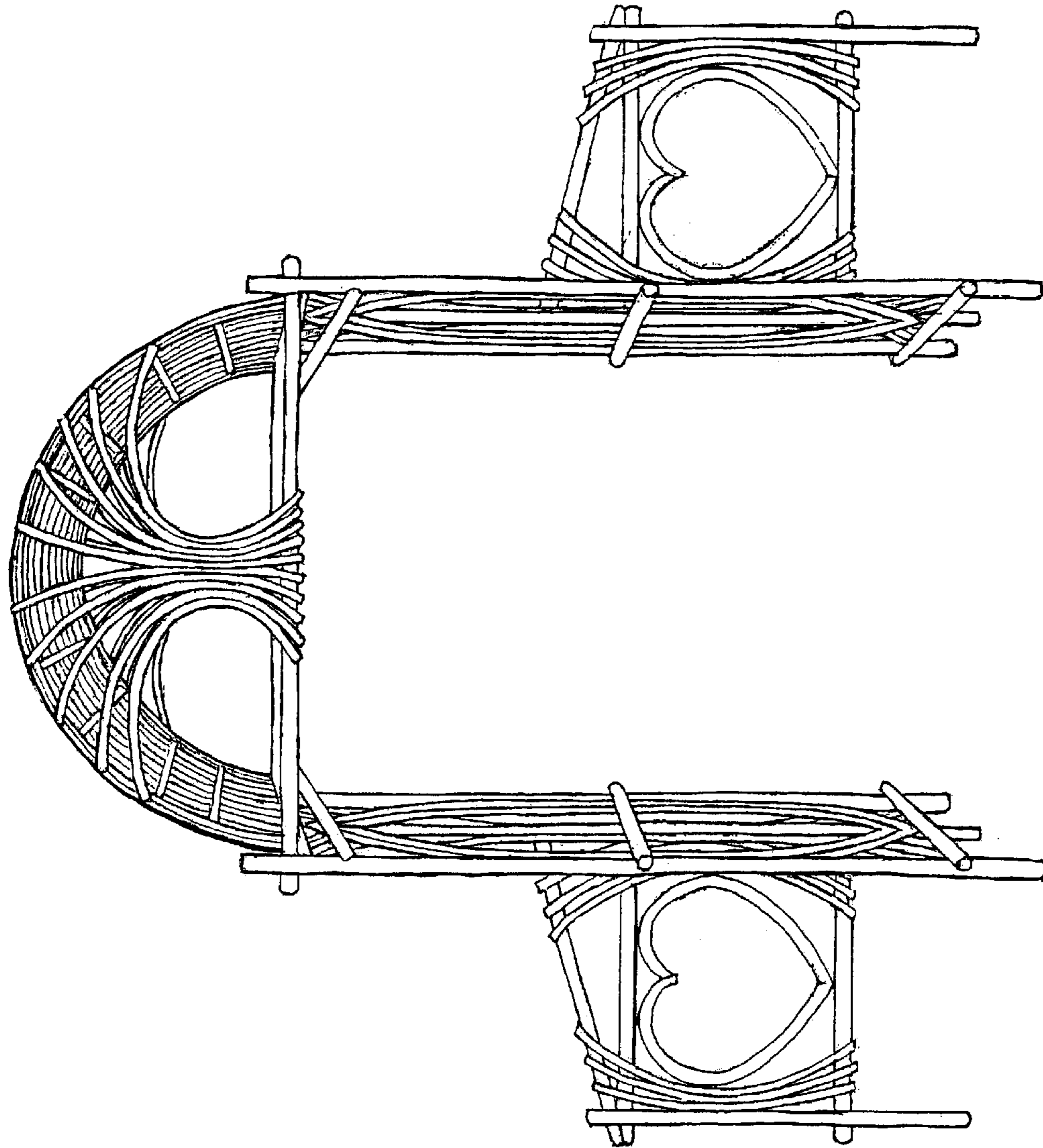


FIG. 1

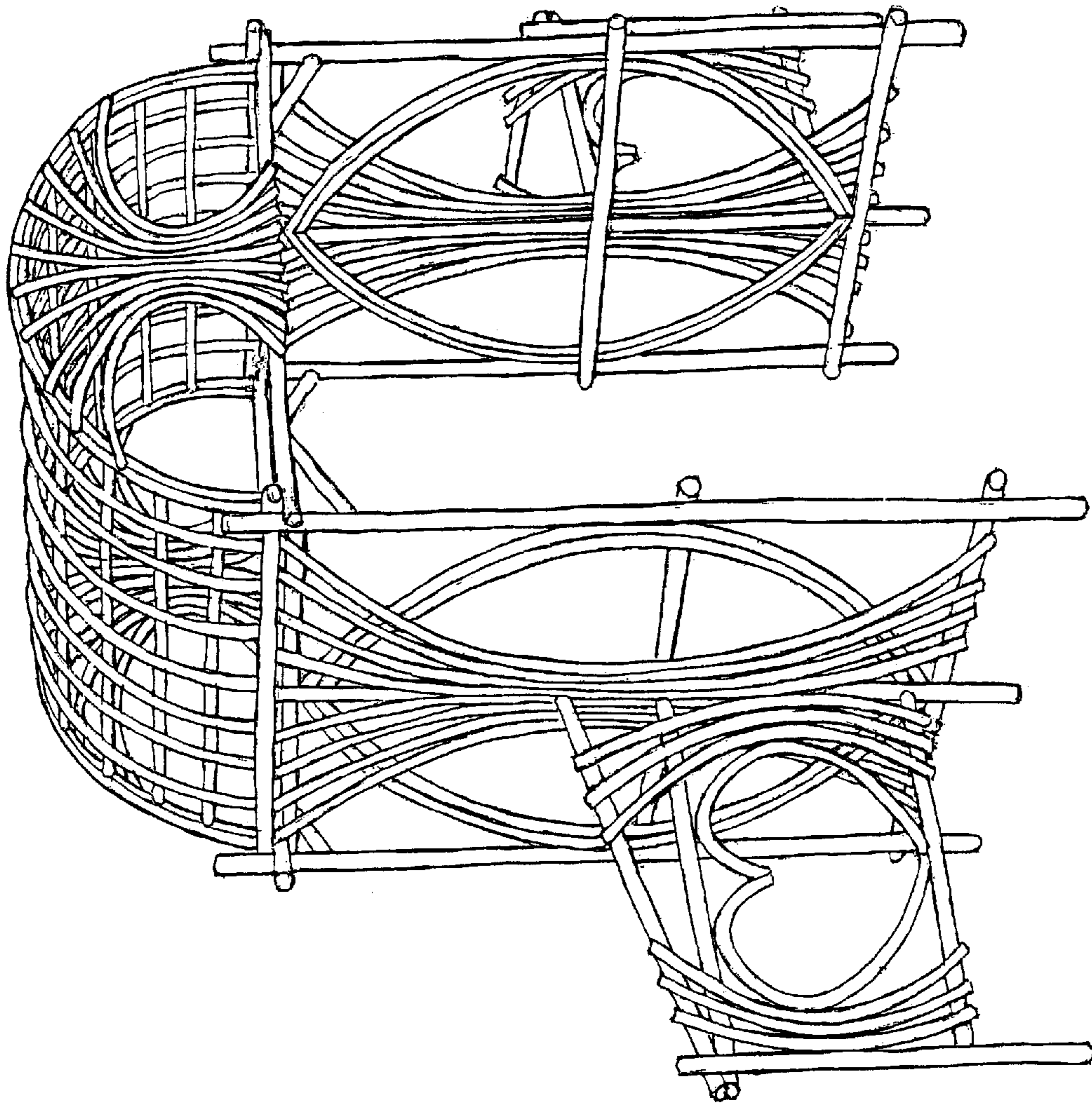


FIG. 2

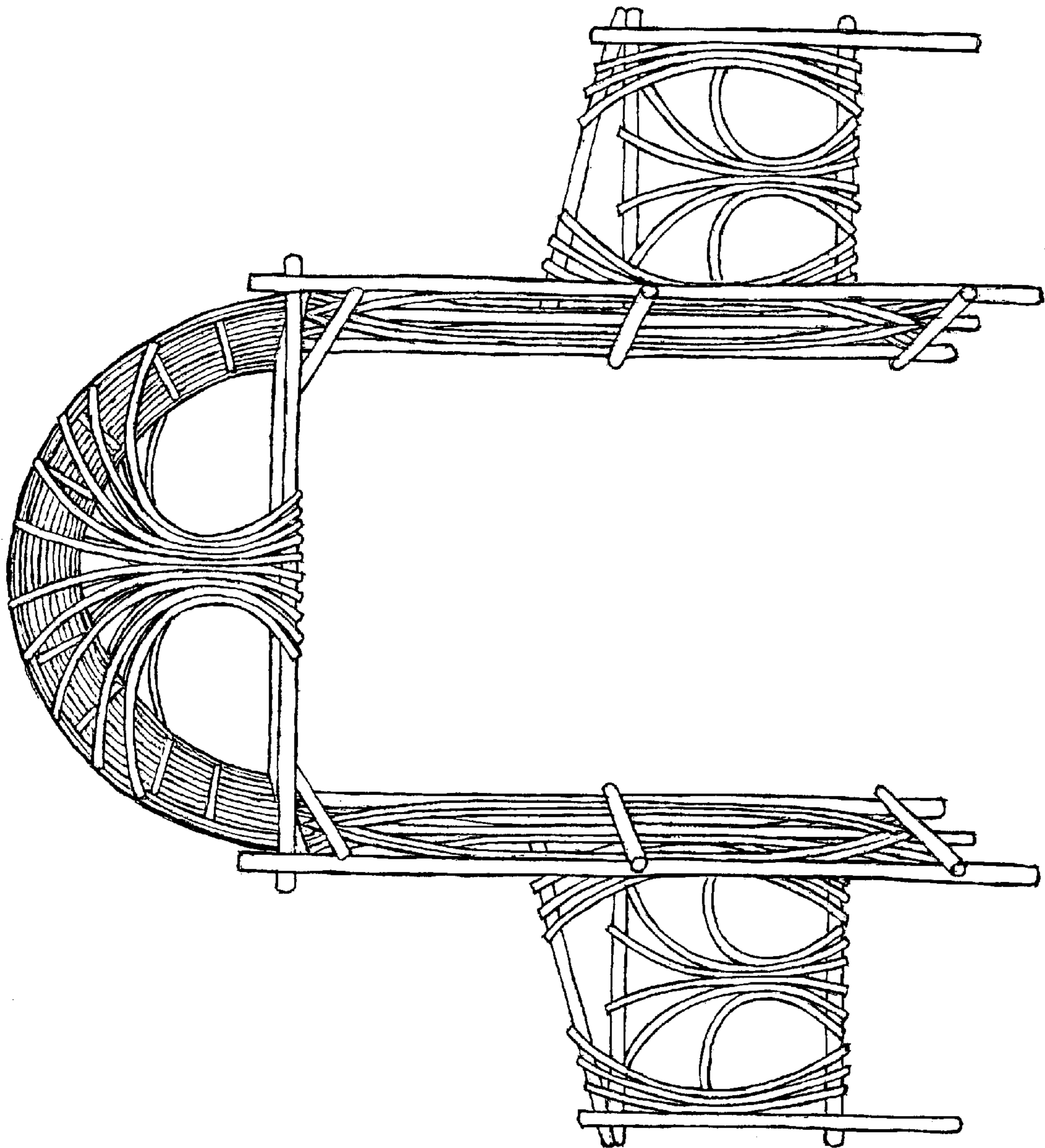


FIG. 3