



US00D462453S

(12) **United States Design Patent**
Johansson

(10) **Patent No.:** **US D462,453 S**

(45) **Date of Patent:** **** Sep. 3, 2002**

(54) **LADDER STEP**

(75) Inventor: **Kjell Johansson**, Forserum (SE)

(73) Assignee: **Telesteps AB**, Tranas (SE)

(**) Term: **14 Years**

(21) Appl. No.: **29/152,105**

(22) Filed: **Dec. 7, 2001**

(30) **Foreign Application Priority Data**

Jun. 13, 2001 (DK) MA 2001 00593

(51) **LOC (7) Cl.** **25-04**

(52) **U.S. Cl.** **D25/69**

(58) **Field of Search** D25/69; 182/33.4,
182/228.1

(56) **References Cited**

U.S. PATENT DOCUMENTS

3,964,572 A * 6/1976 Gannon 182/288.1
D258,839 S * 4/1981 Broyles D25/69

* cited by examiner

Primary Examiner—Doris Clark

(74) *Attorney, Agent, or Firm*—Davis & Bujold, P.L.L.C.

(57) **CLAIM**

I claim the ornamental design for a ladder step, as shown and described.

DESCRIPTION

FIG. 1 is a perspective view from above showing my new design;

FIG. 2 is a perspective view from below of the ladderstep shown in FIG. 1;

FIG. 3 is a top plan view of the ladderstep shown in FIG. 1; FIG. 4 is an underneath plan view of the ladderstep shown in FIG. 1;

FIG. 5 is a side view from one side of the ladderstep shown in FIG. 1;

FIG. 6 is a side view of the other side of the ladderstep shown in FIG. 1;

FIG. 7 is an end view of the ladderstep shown in FIG. 1;

FIG. 8 is an end view from the other side of the ladderstep shown in FIG. 1;

FIG. 9 is a sectional view of the ladderstep shown in FIG. 1; taken along line 9—9 of FIG. 3; and,

FIG. 10 is a sectional view of the ladderstep shown in FIG. 1 taken along line 10—10 of FIG. 5.

1 Claim, 6 Drawing Sheets

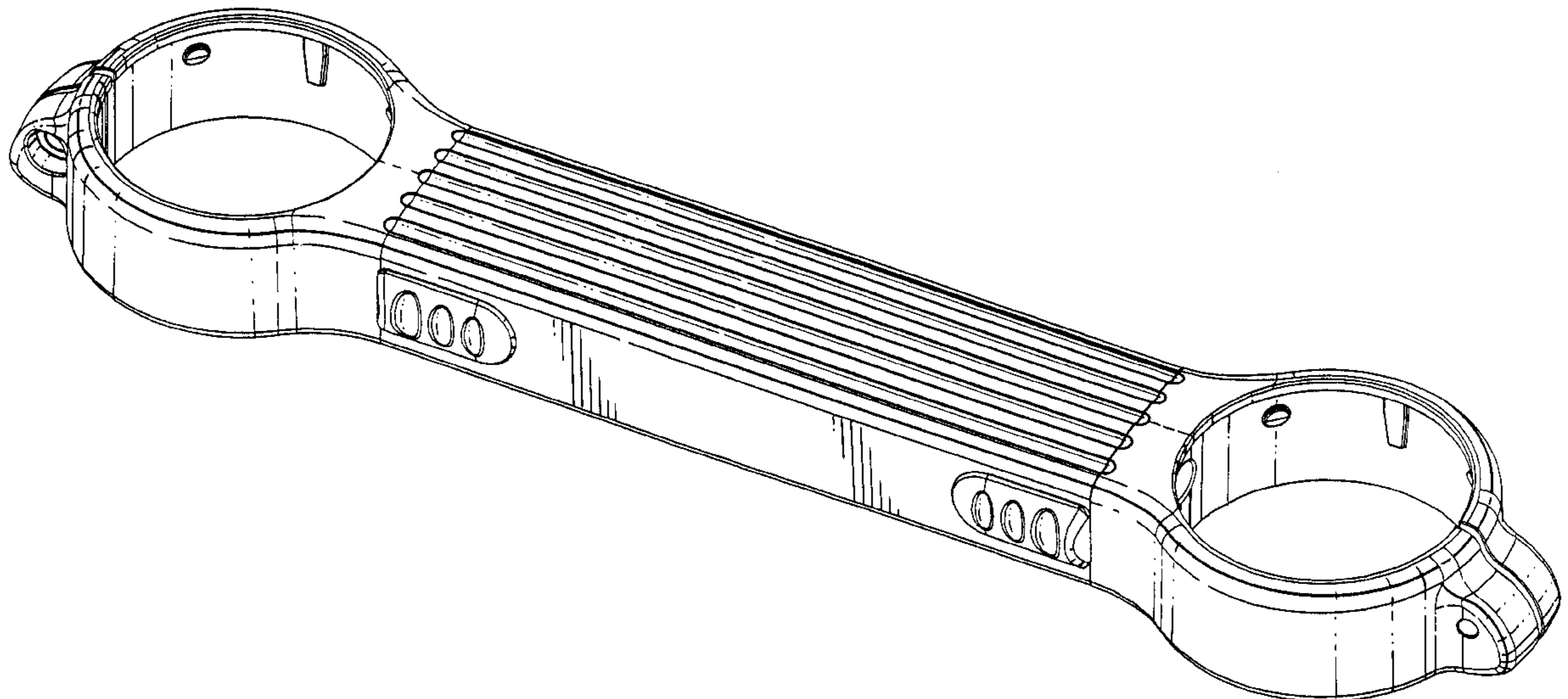


FIG. 1

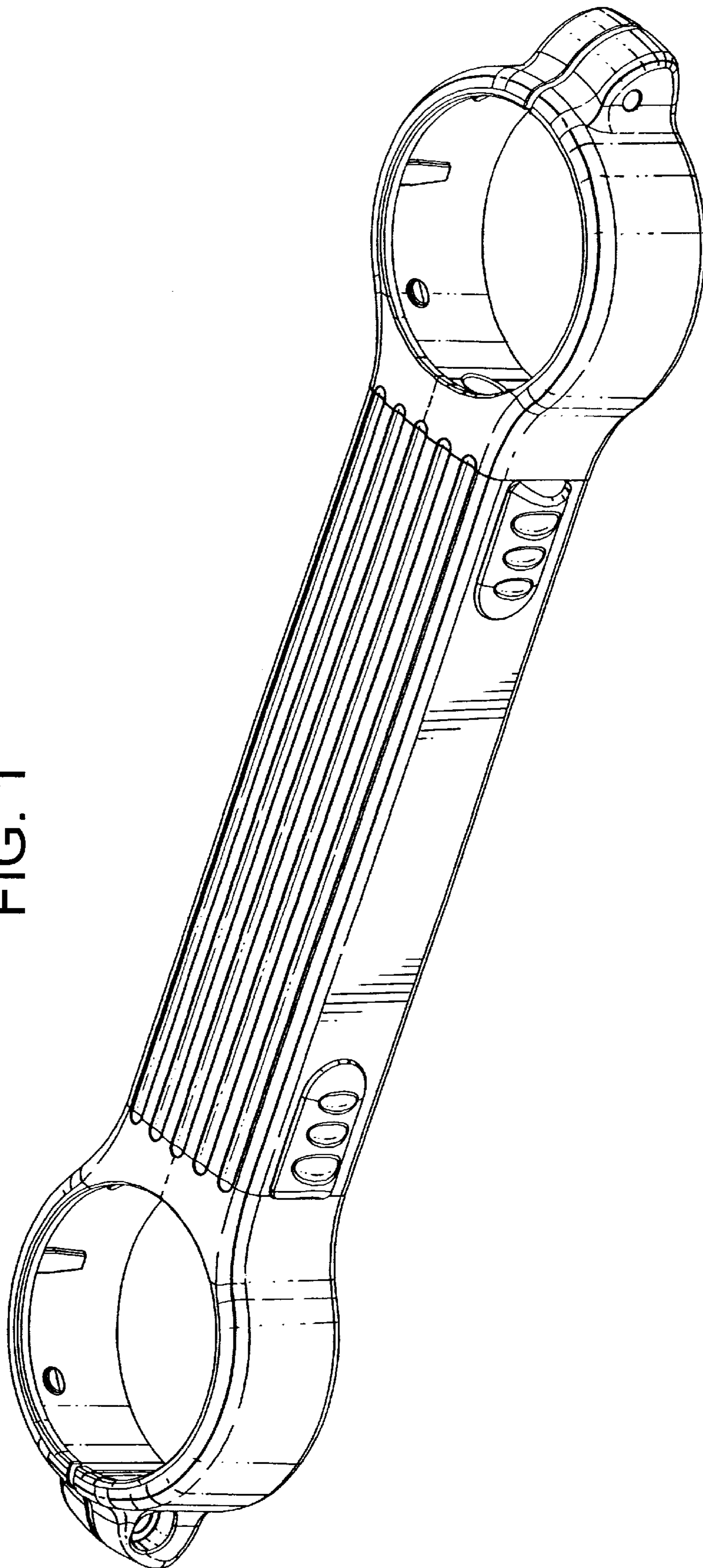


FIG. 2

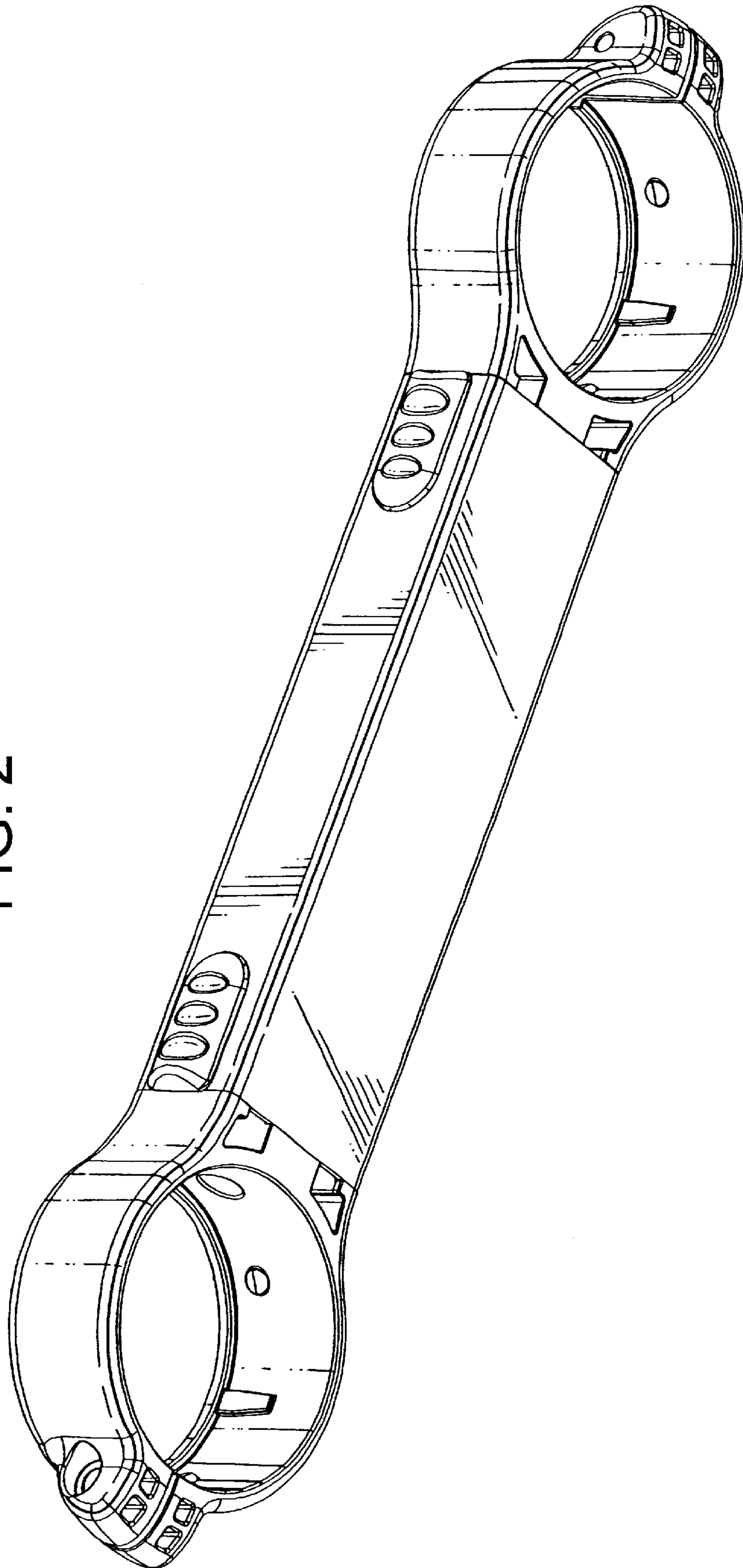


FIG. 3

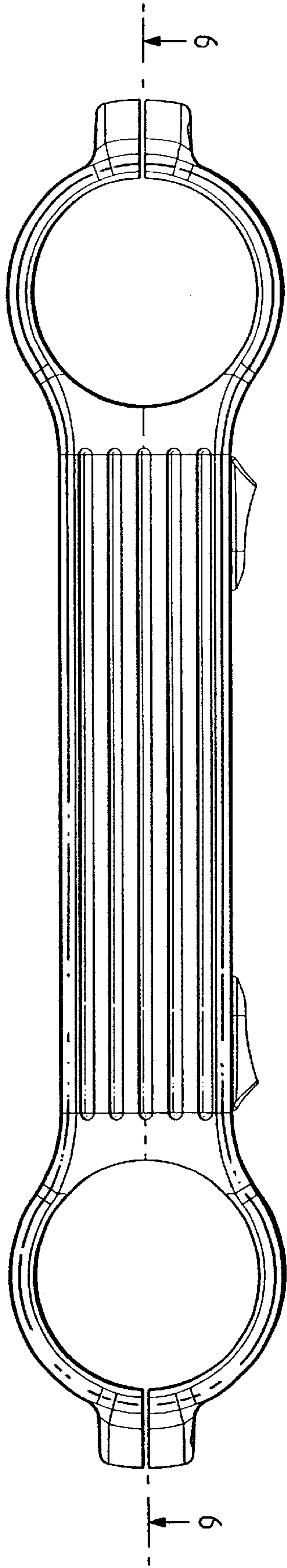


FIG. 4

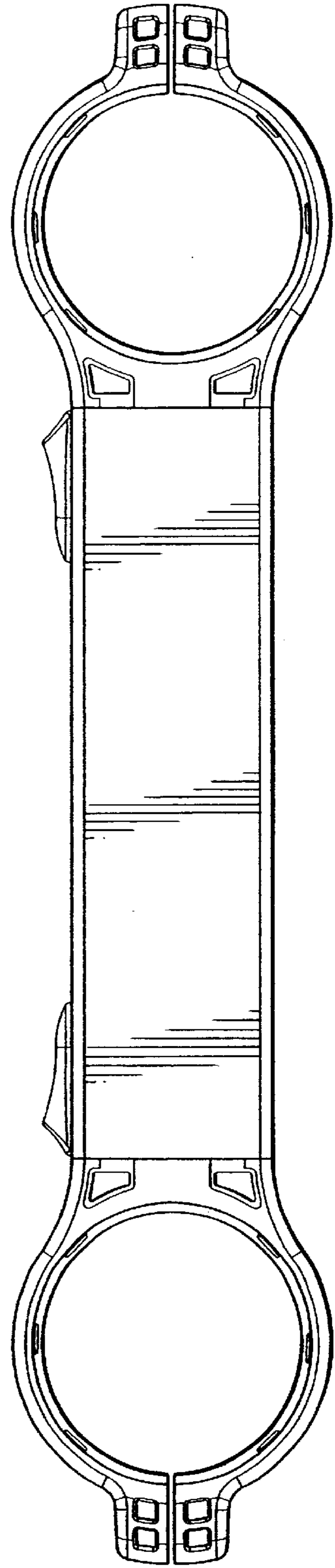


FIG. 5

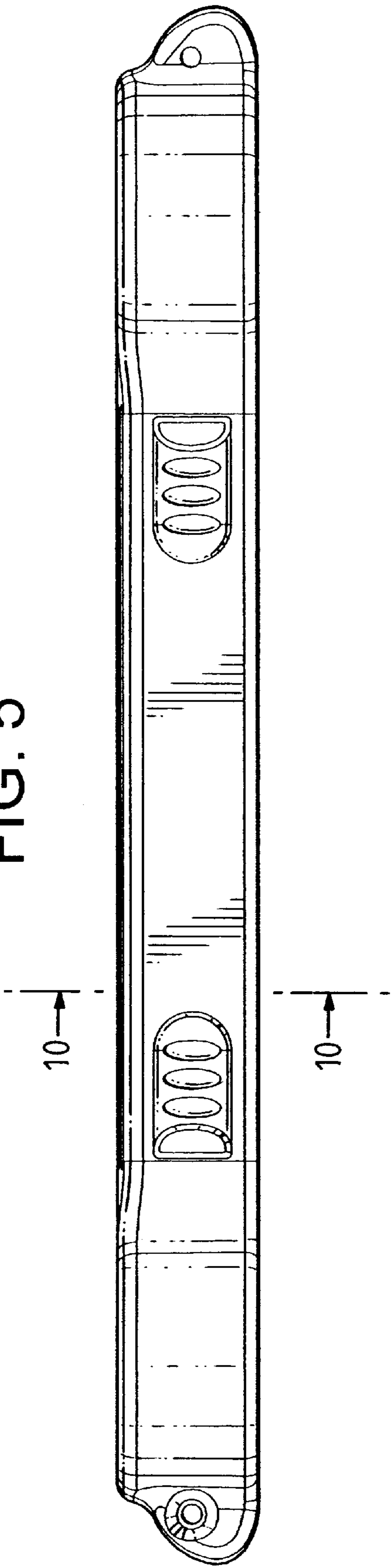


FIG. 6

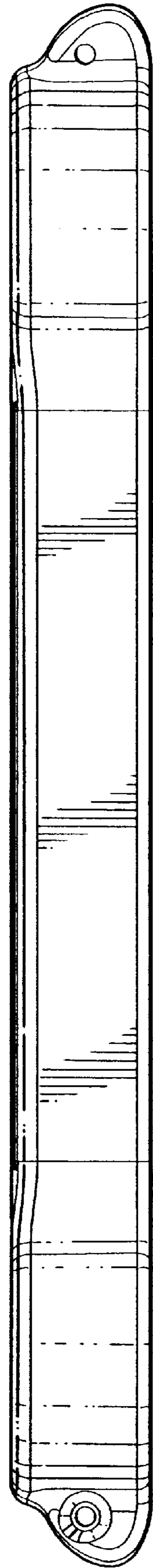


FIG. 7

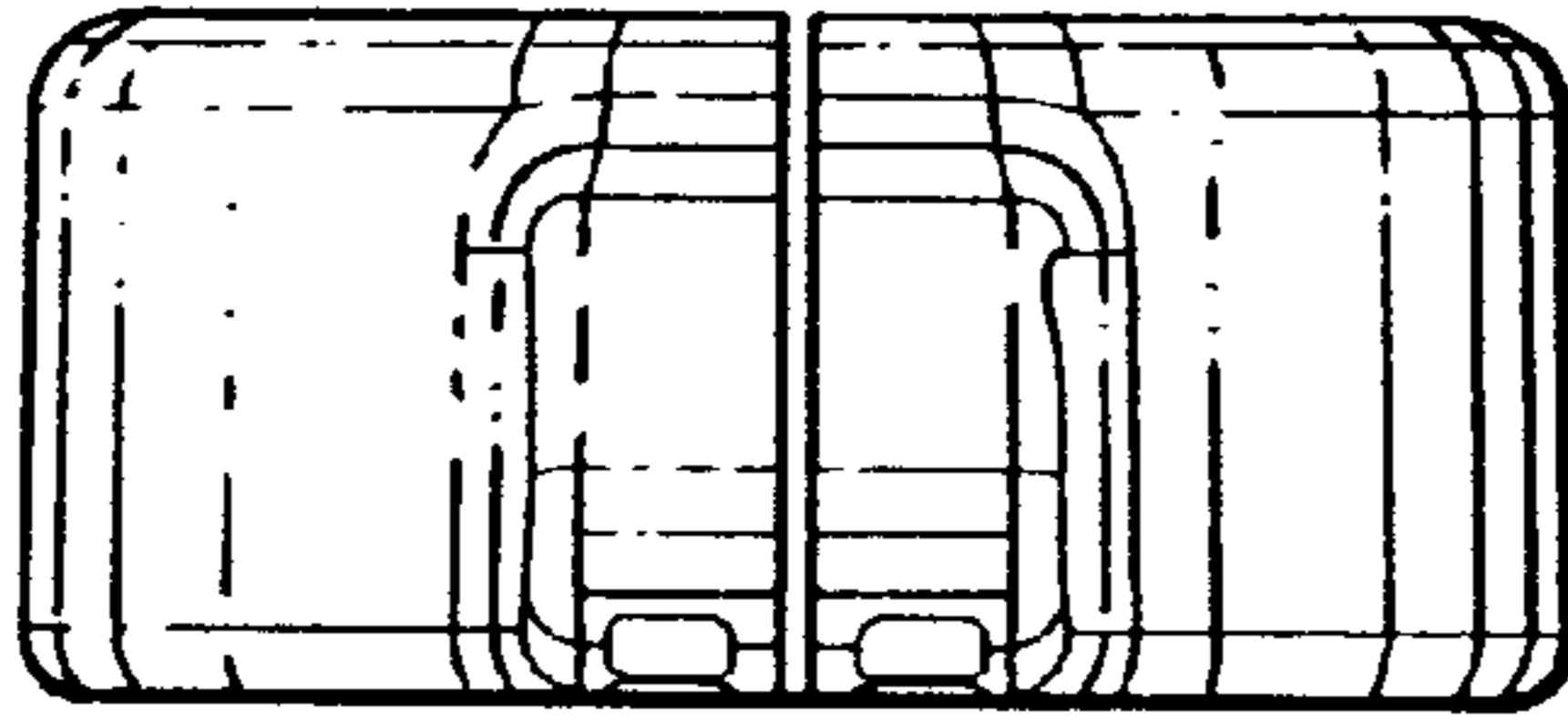


FIG. 8

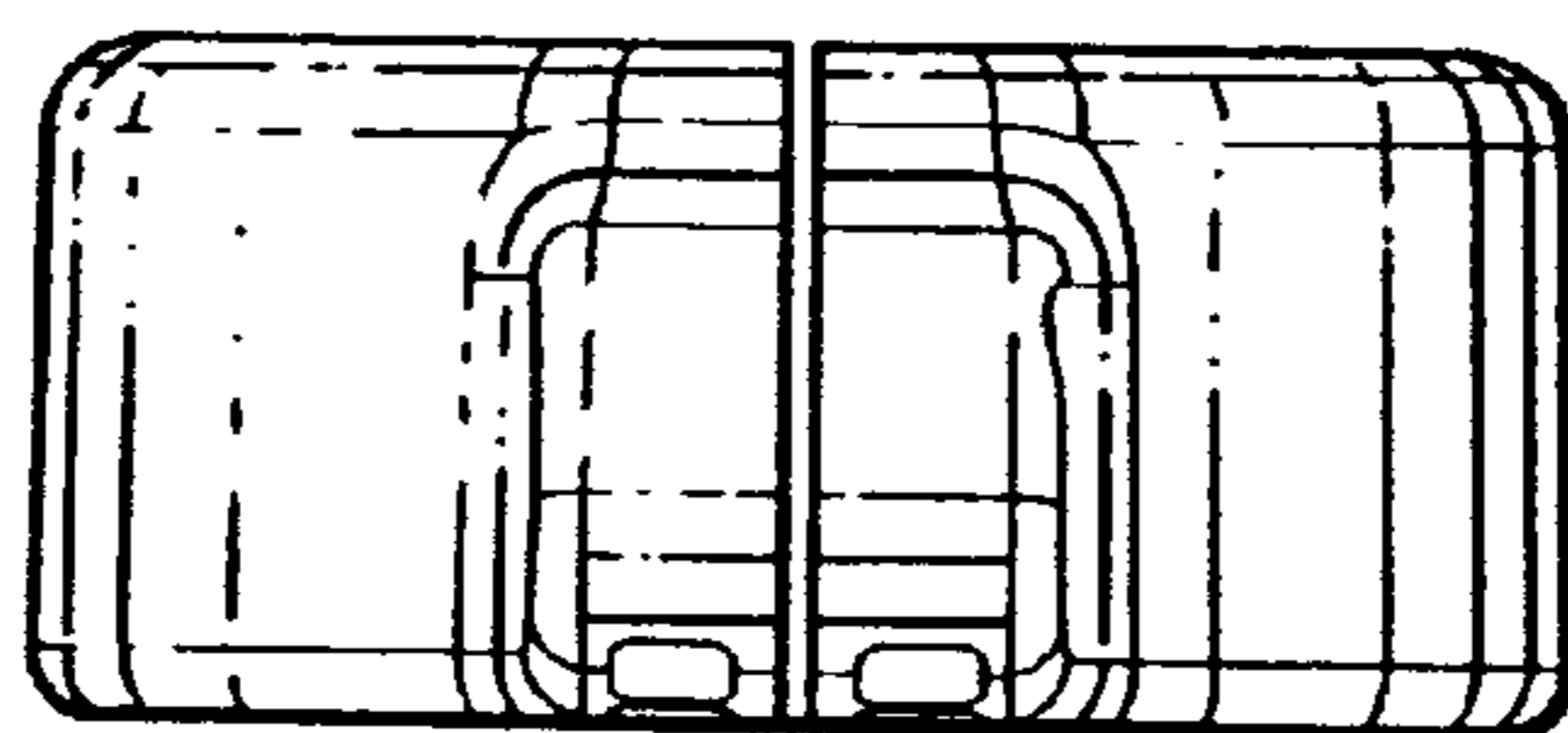


FIG. 9

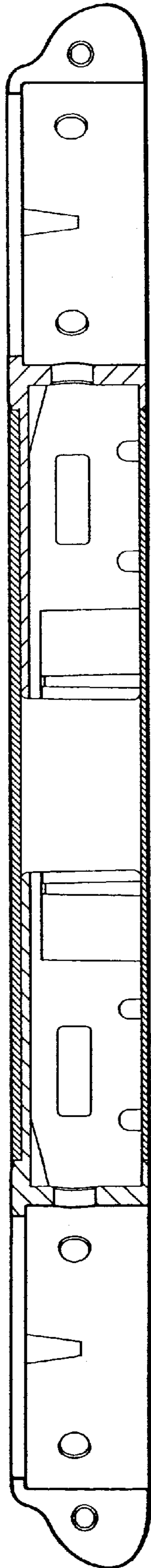


FIG. 10

