



US00D462452S

(12) **United States Design Patent**  
**Miranda**

(10) **Patent No.:** **US D462,452 S**

(45) **Date of Patent:** **\*\* Sep. 3, 2002**

(54) **BALUSTRADE**

(76) Inventor: **Allan D. Miranda**, 1165 Matthew Ave.,  
Las Vegas, NV (US) 89123-0434

(\*\*) Term: **14 Years**

(21) Appl. No.: **29/147,614**

(22) Filed: **Aug. 30, 2001**

(51) **LOC (7) Cl.** ..... **25-02**

(52) **U.S. Cl.** ..... **D25/38; D25/136**

(58) **Field of Search** ..... **D25/38, 126, 42,**  
**D25/43; 256/59, 65, 19; 52/720.1, 720.2**

(56) **References Cited**

**U.S. PATENT DOCUMENTS**

D344,143 S \* 2/1994 Bass ..... D25/126

D360,954 S \* 8/1995 Von Parrish ..... D25/38

\* cited by examiner

*Primary Examiner*—Doris Clark

(74) *Attorney, Agent, or Firm*—Kenehan & Lambertsen,  
Ltd.; John C. Lambertsen

(57) **CLAIM**

The ornamental design for a balustrade, as shown and  
described.

**DESCRIPTION**

FIG. 1 is a fragmented perspective view of a balustrade,  
showing my new design;

FIG. 2 is a fragmented front elevational view, the opposite  
side being identical thereto;

FIG. 3 is a fragmented side elevational view, the opposite  
side being identical thereto;

FIG. 4 is a fragmented front elevational view, the opposite  
side being identical thereto, of a second alternative design;

FIG. 5 is a fragmented side elevational view, the opposite  
side being identical thereto, of said second alternative  
design;

FIG. 6 is a fragmented front elevational view, the opposite  
side being identical thereto, of a third alternative design;

FIG. 7 is a fragmented side elevational view, the opposite  
side being identical thereto, of said third alternative design;

FIG. 8 is a fragmented front elevational view, the opposite  
side being identical thereto, of a fourth alternative design;

FIG. 9 is a fragmented side elevational view, the opposite  
side being identical thereto, of said fourth alternative design;

FIG. 10 is a fragmented front elevational view, the opposite  
side being identical thereto, of a fifth alternative design;

FIG. 11 is a fragmented side elevational view, the opposite  
side being identical thereto, of said fifth alternative design;

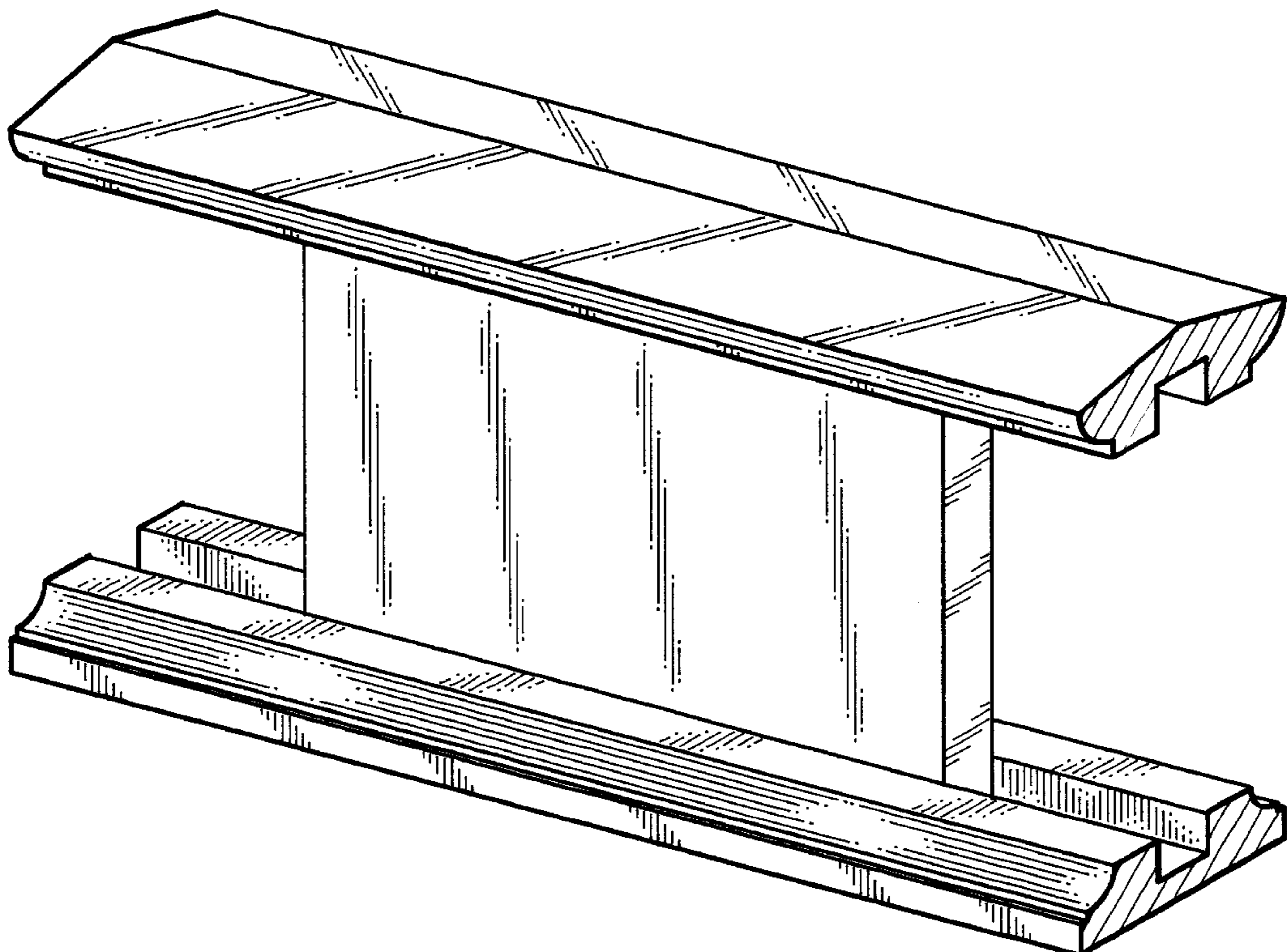
FIG. 12 is a fragmented front elevational view, the opposite  
side being identical thereto, of a sixth alternative design;

FIG. 13 is a fragmented side elevational view, the opposite  
side being identical thereto, of said sixth alternative design;

FIG. 14 is a fragmented top plan view; and,

FIG. 15 is a fragmented bottom plan view thereof.

**1 Claim, 5 Drawing Sheets**



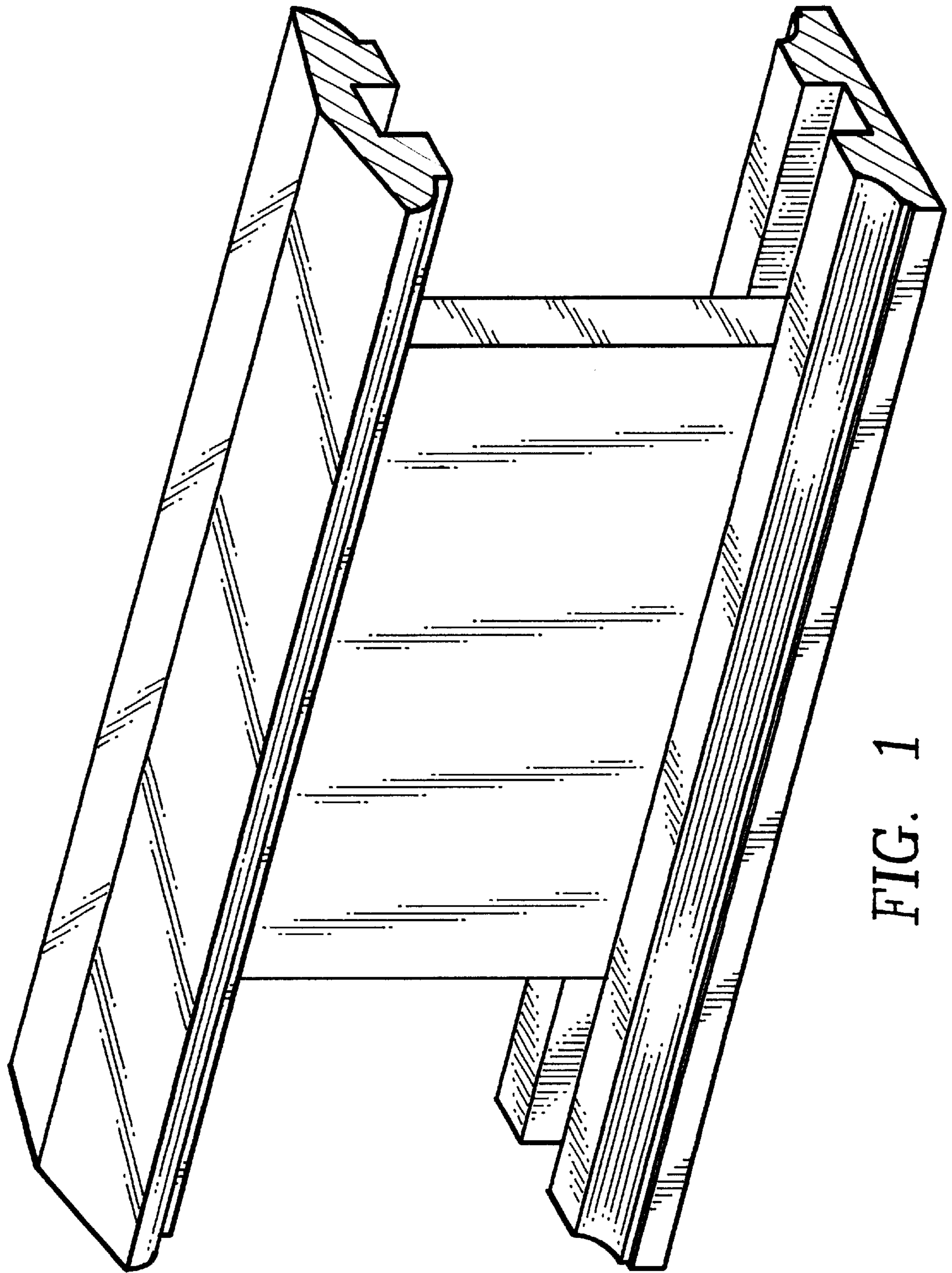


FIG. 1

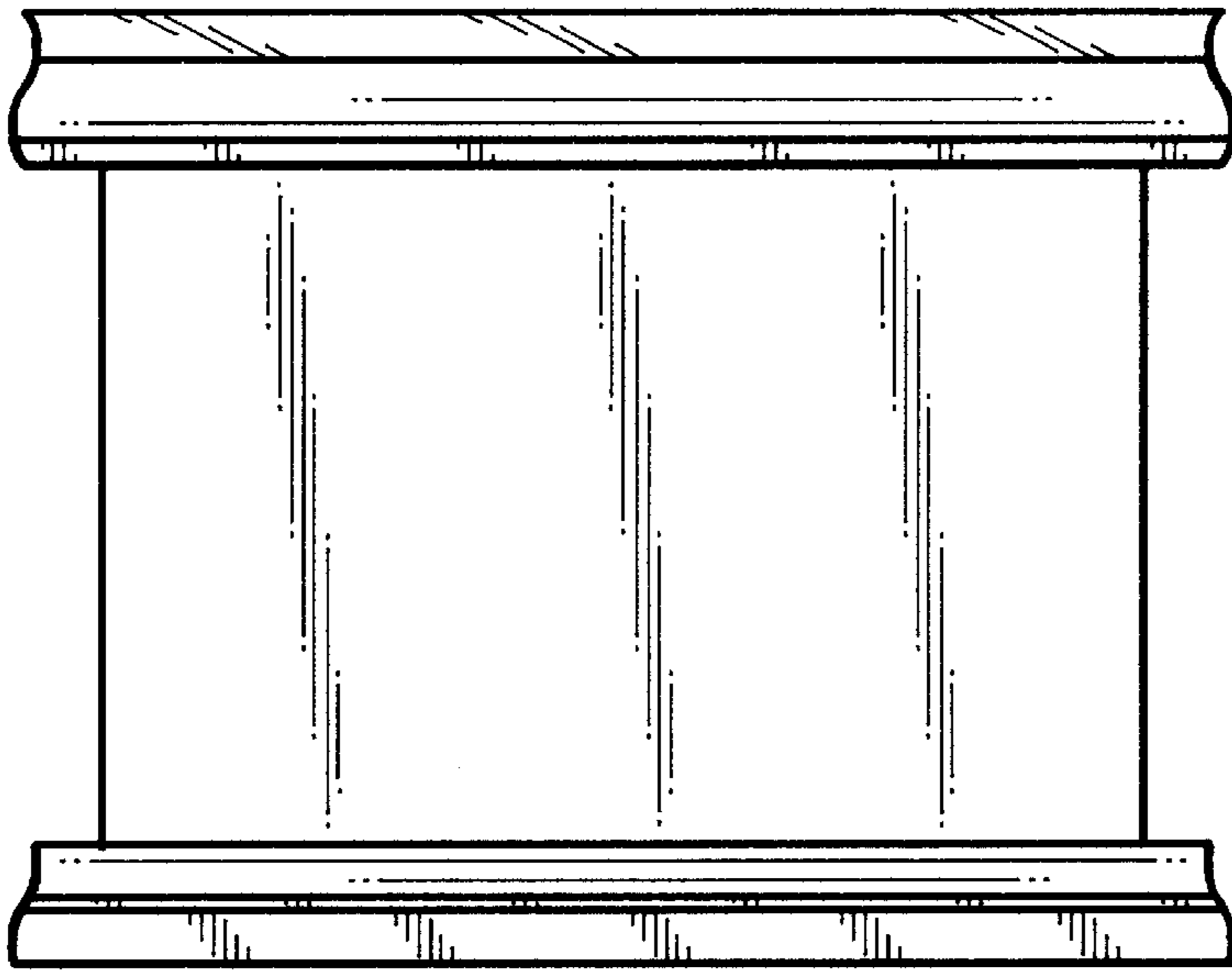


FIG. 2

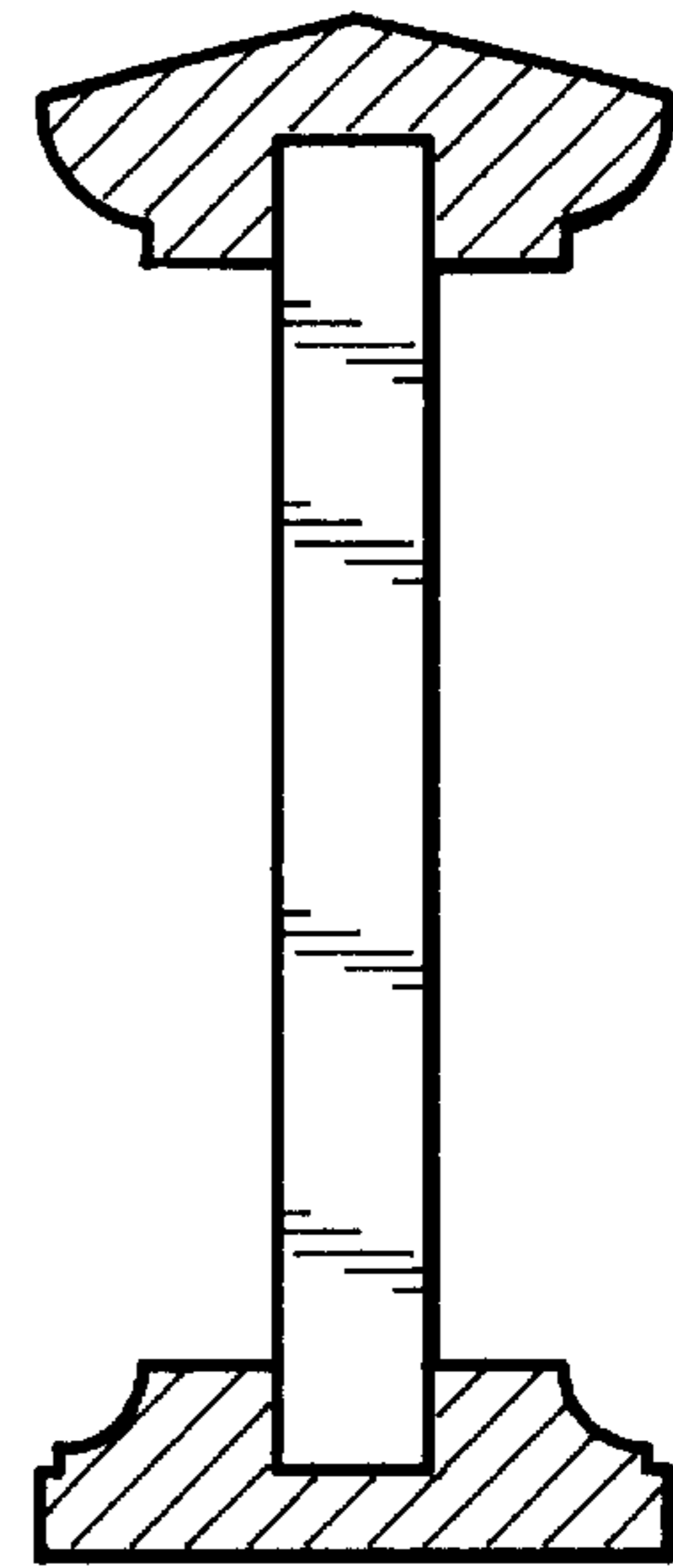


FIG. 3

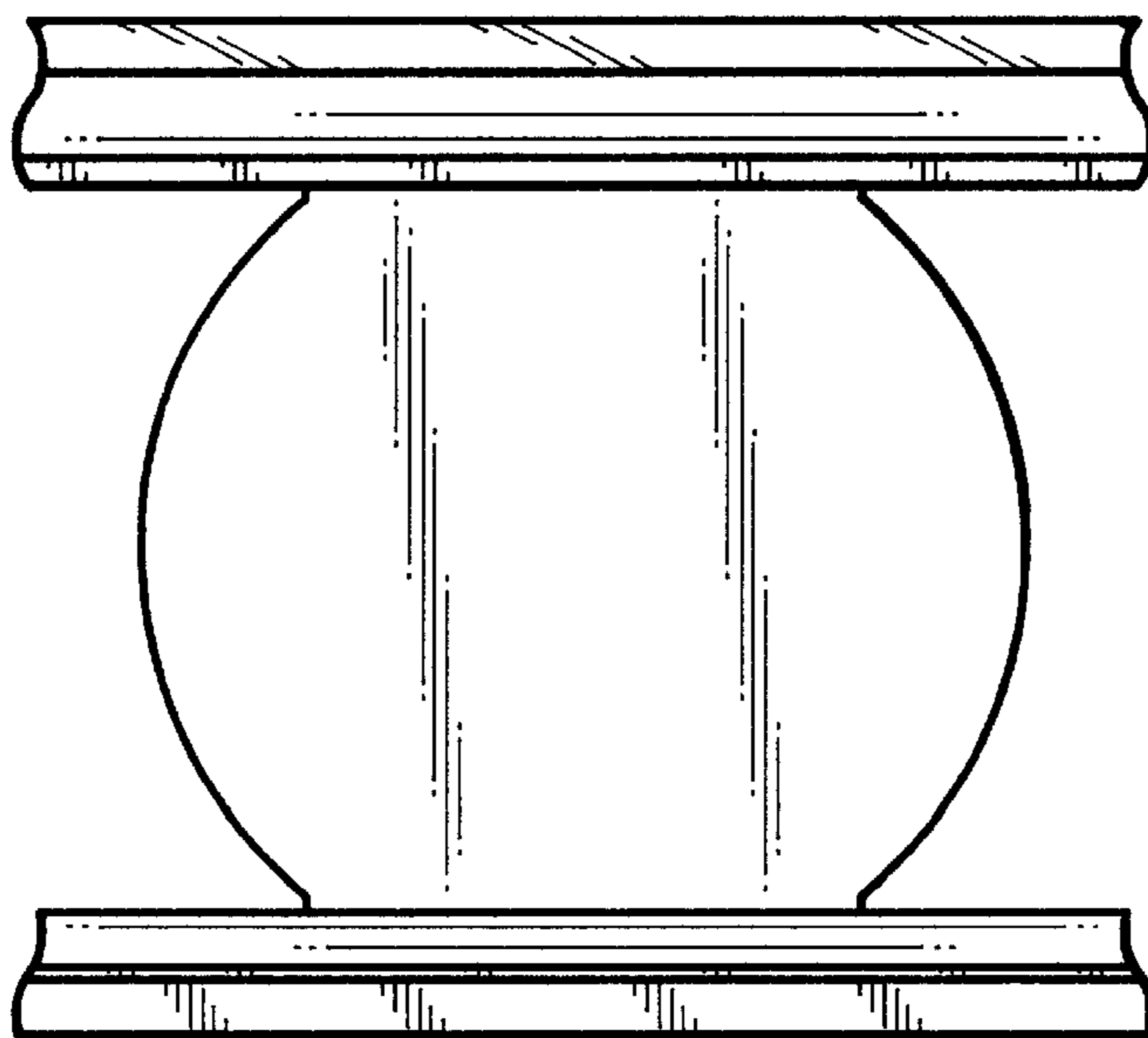


FIG. 4

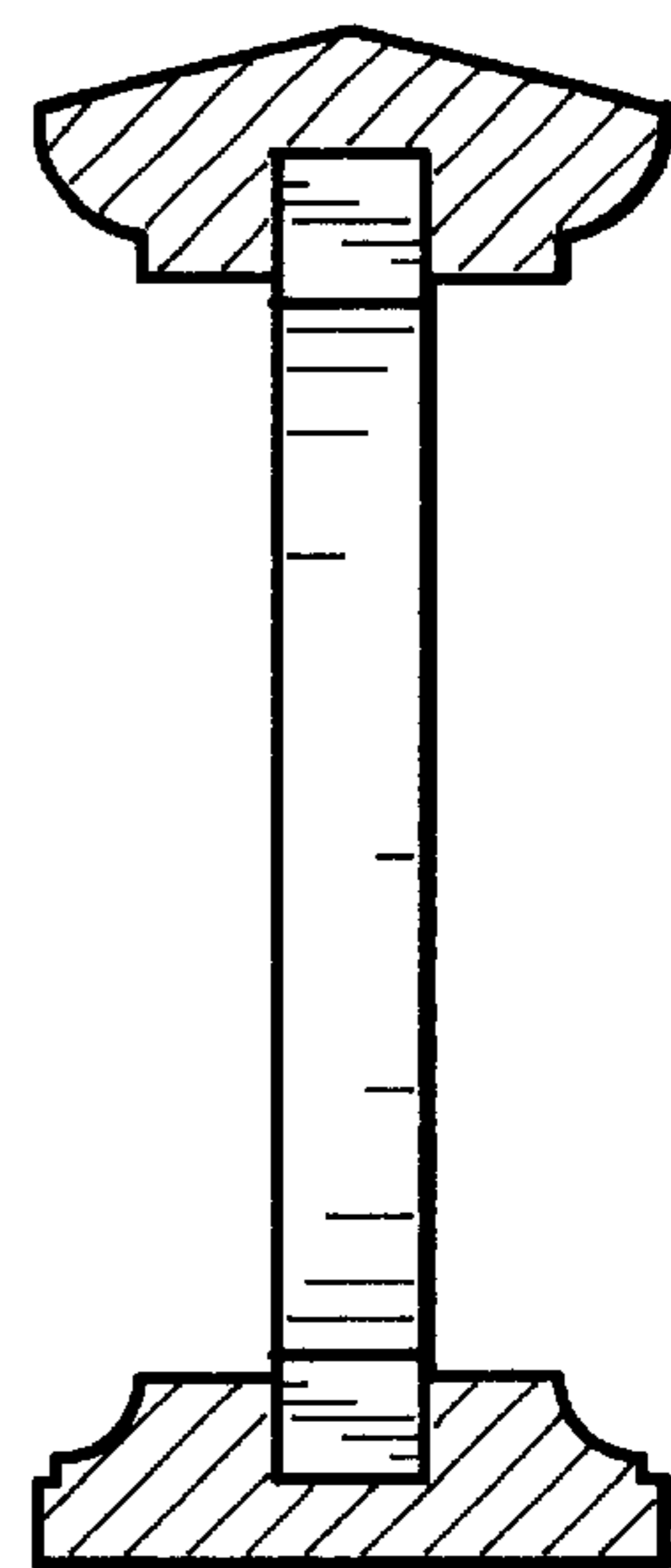


FIG. 5

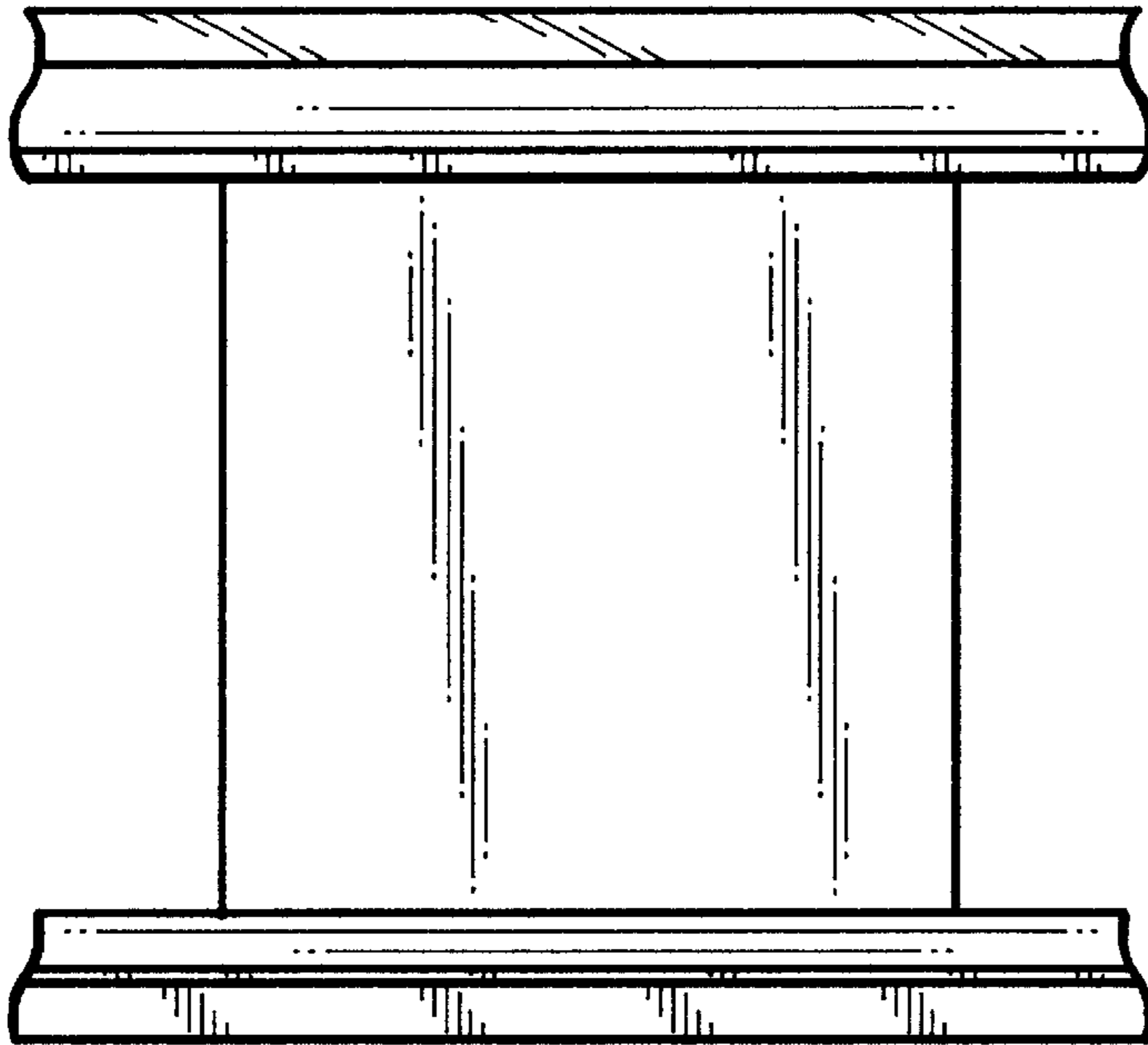


FIG. 6

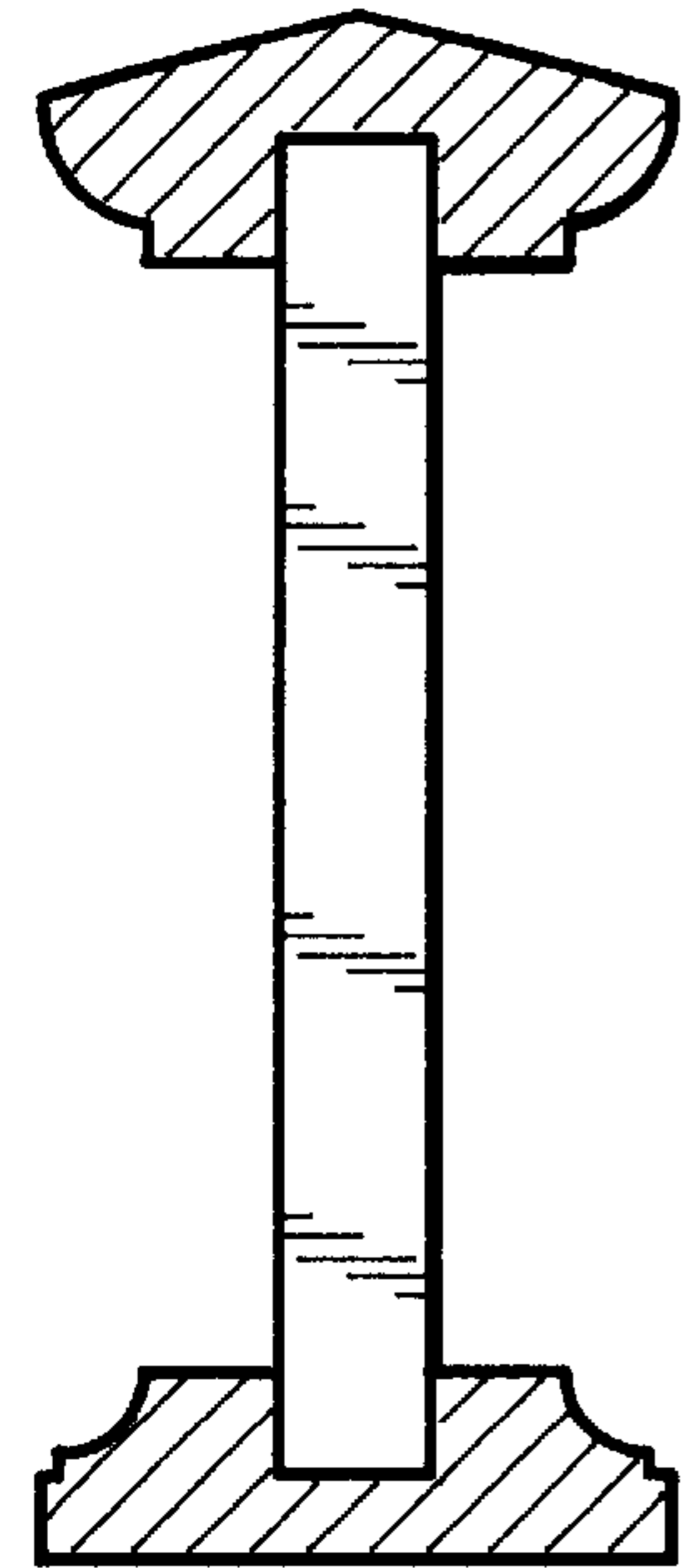


FIG. 7

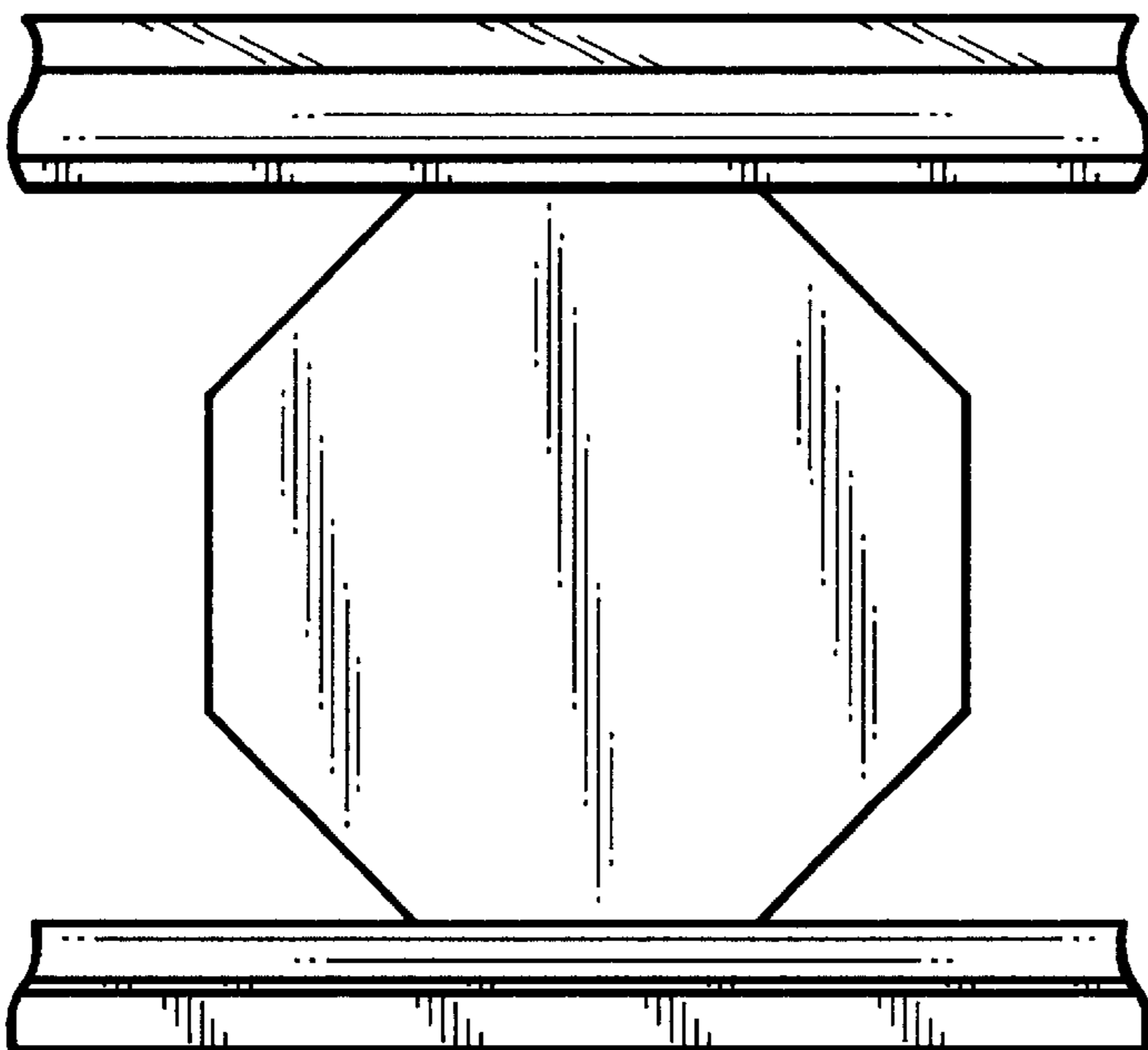


FIG. 8

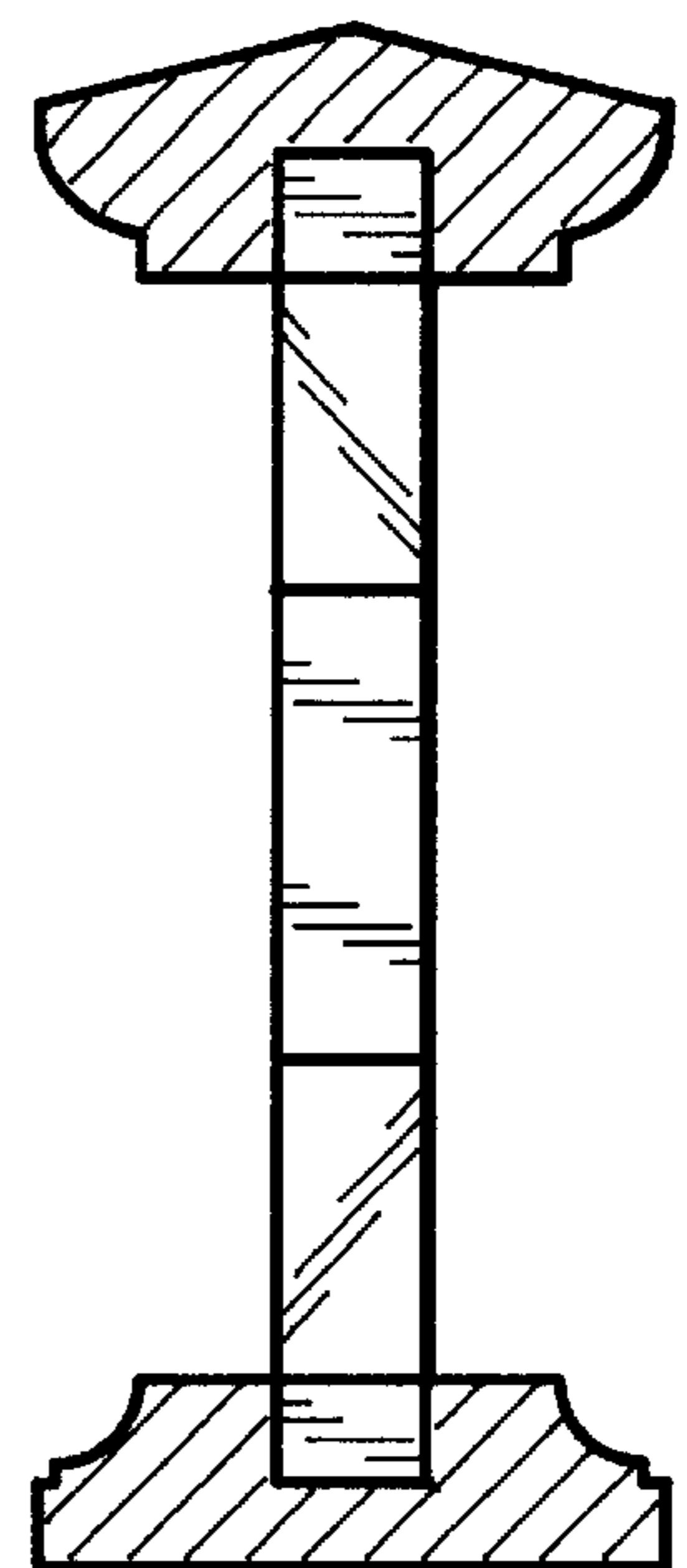


FIG. 9

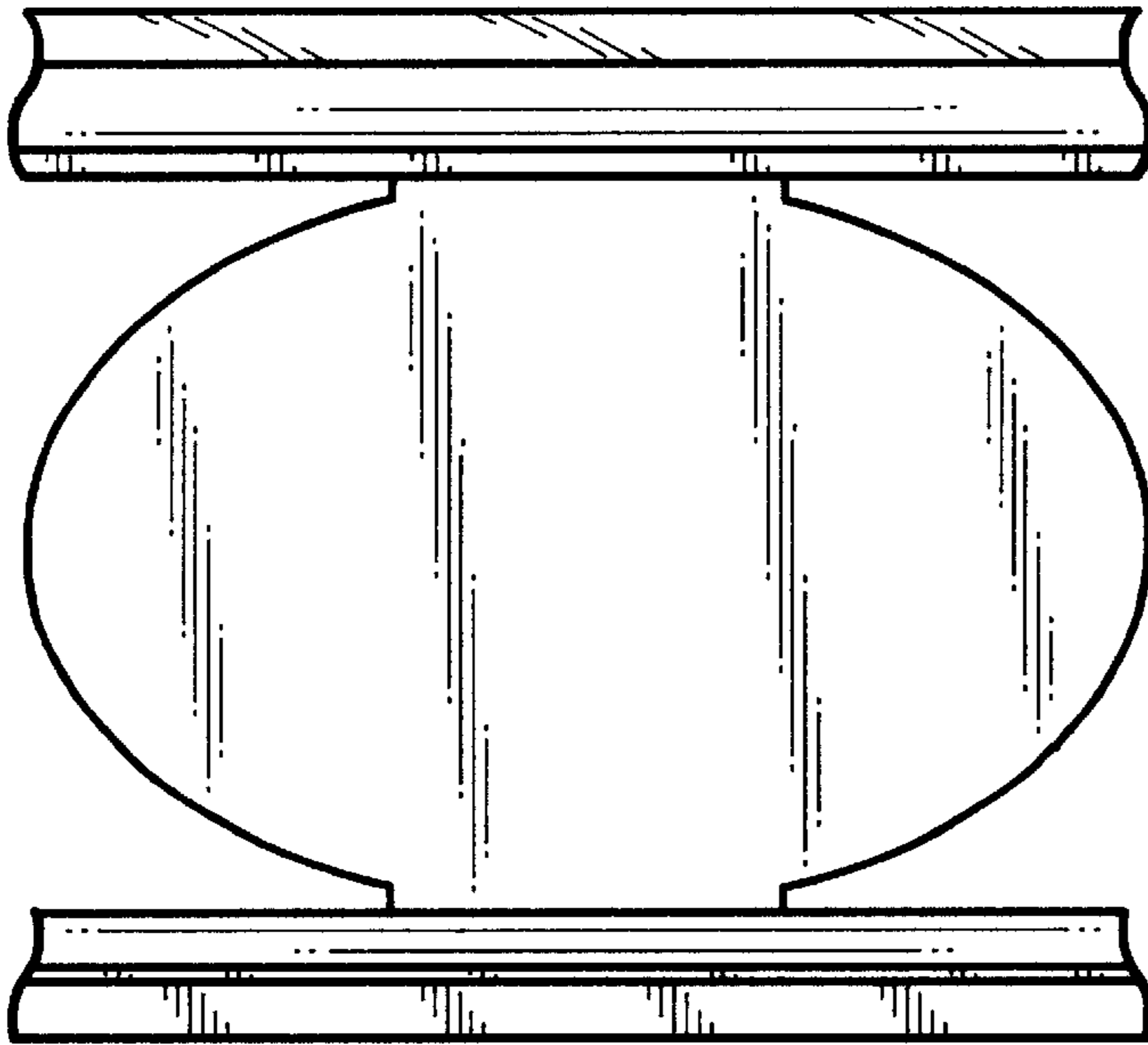


FIG. 10

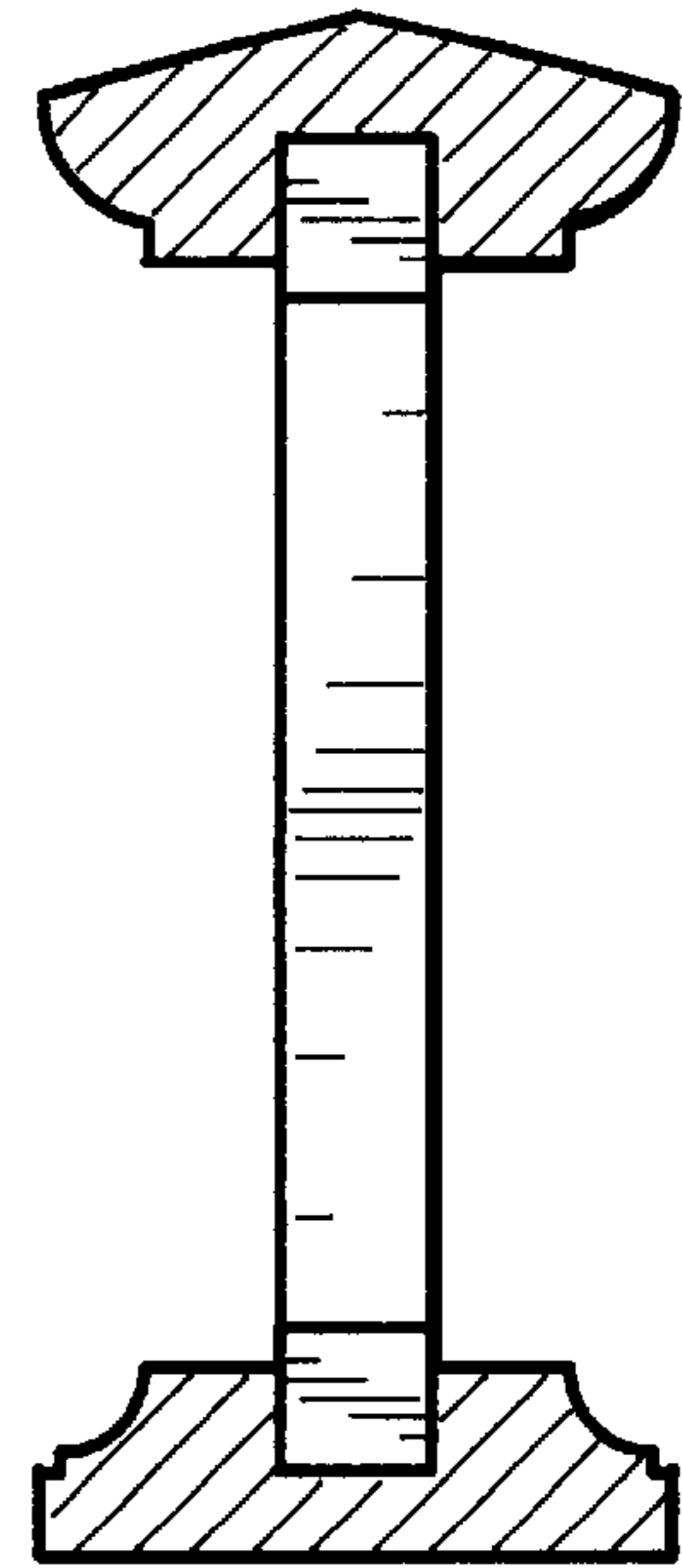


FIG. 11

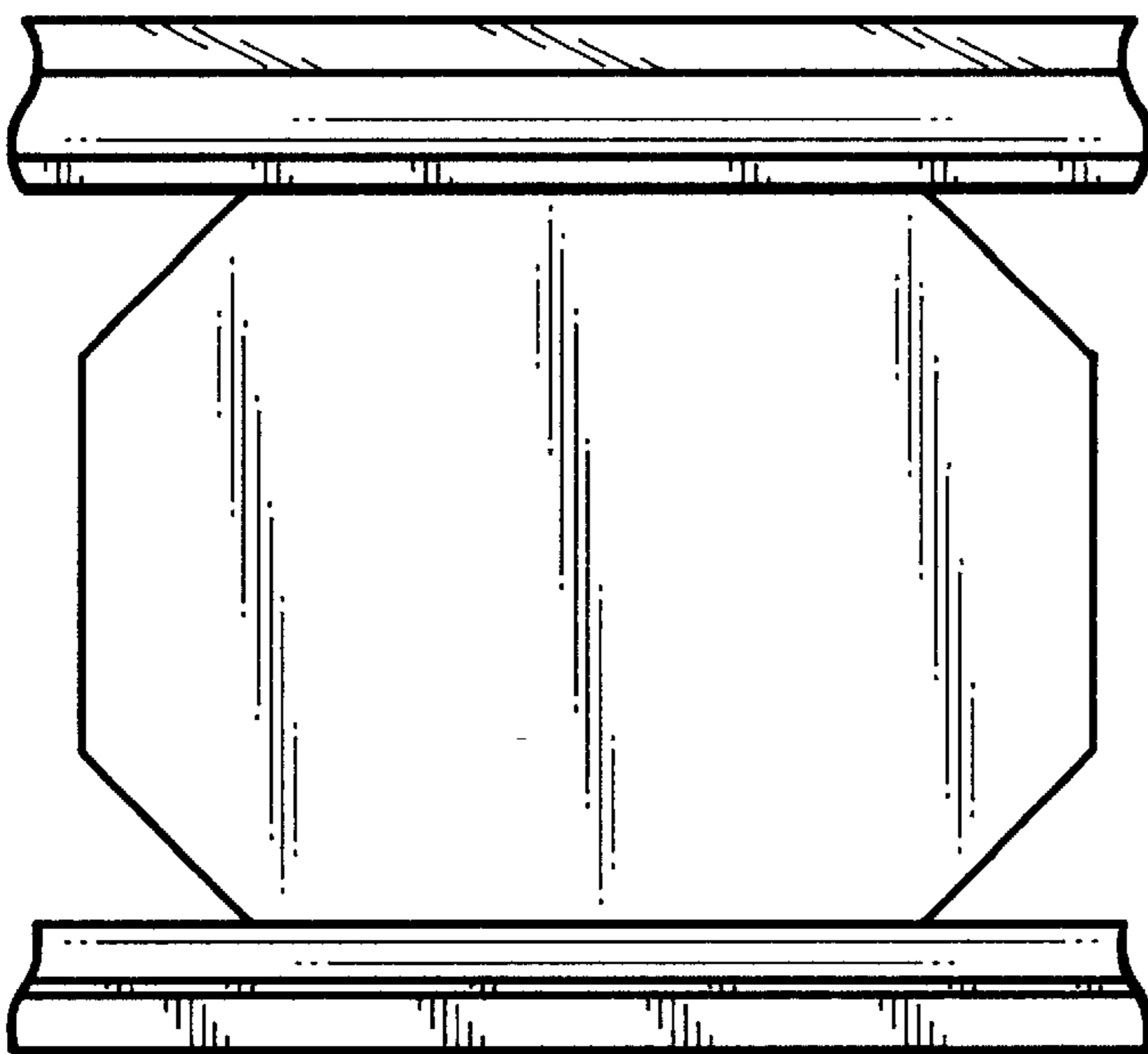


FIG. 12

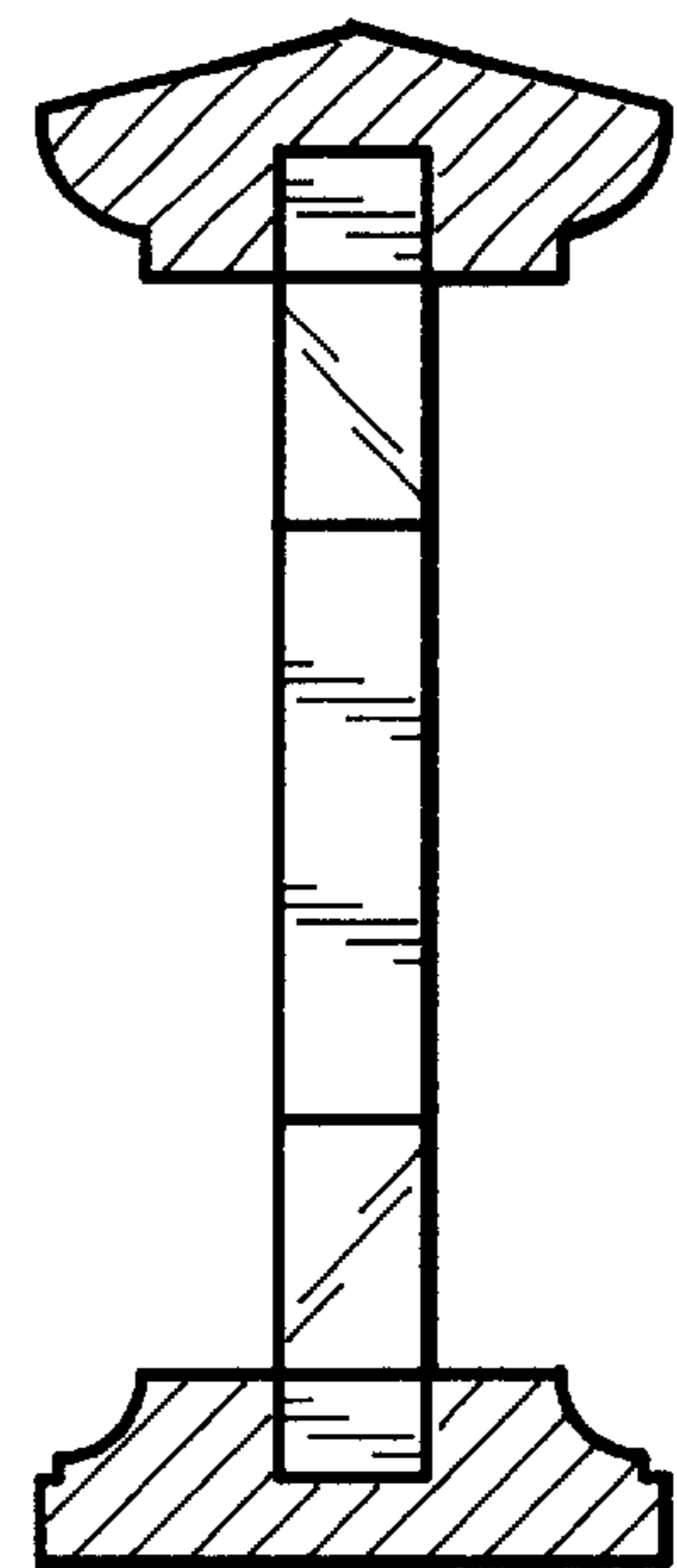
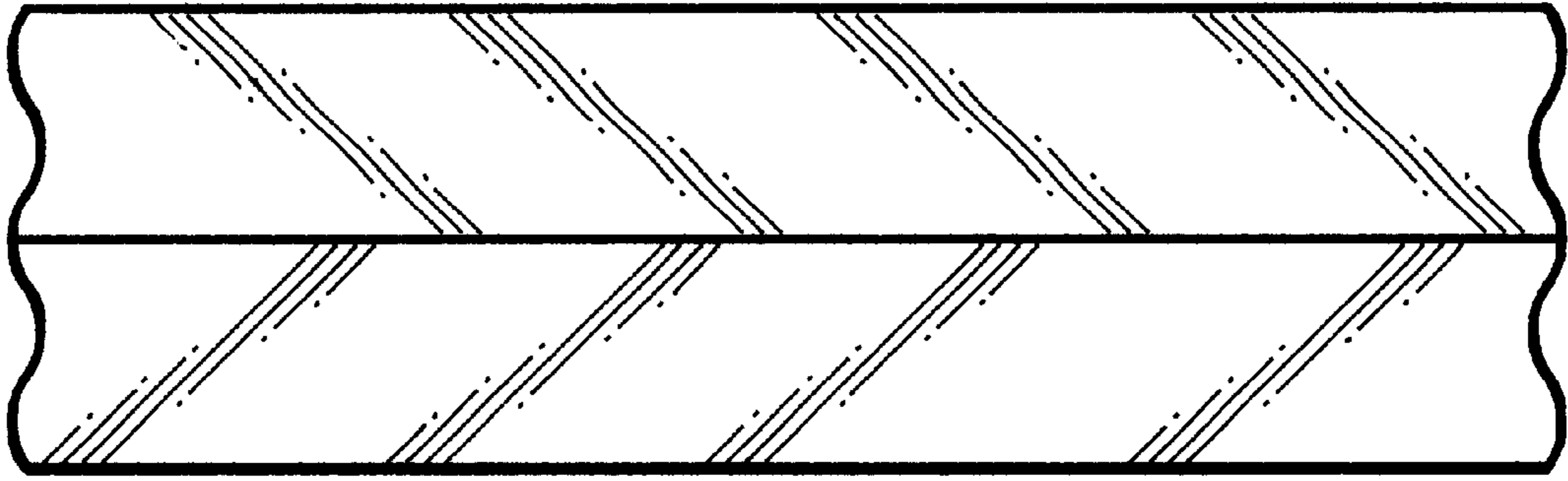
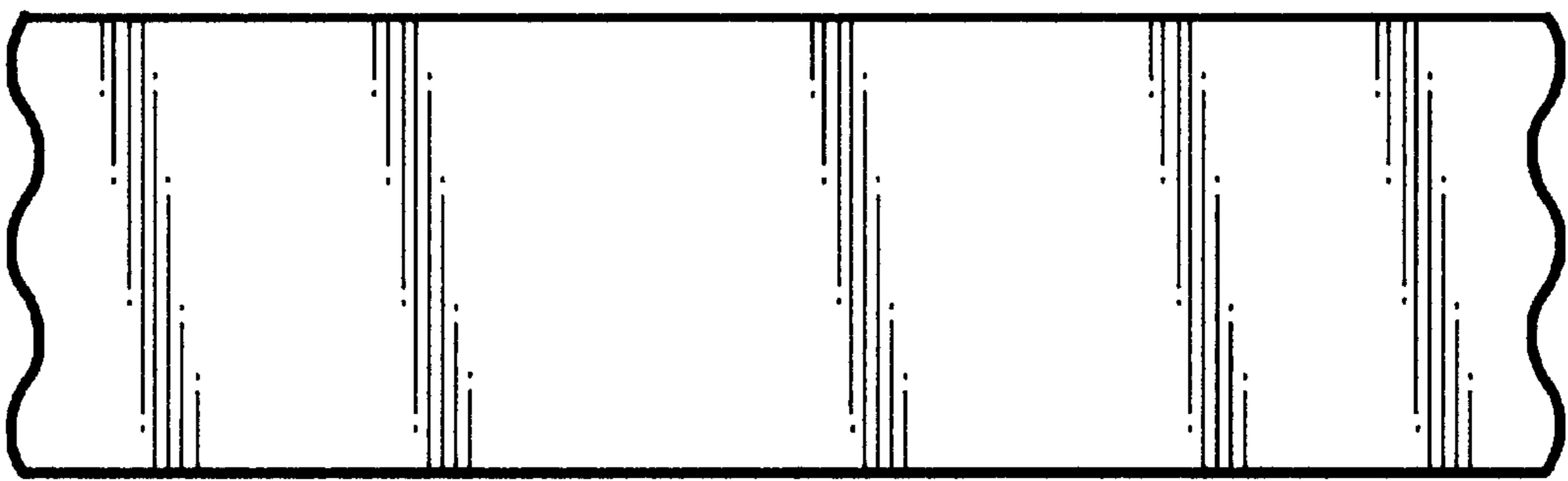


FIG. 13



*FIG. 14*



*FIG. 15*