



US00D462448S

(12) **United States Design Patent**
Huttner

(10) **Patent No.:** **US D462,448 S**

(45) **Date of Patent:** **** Sep. 3, 2002**

(54) **HEAD AND NECK IMMOBILIZER**

5,947,981 A * 9/1999 Cosman 606/130
5,967,144 A * 10/1999 Reynolds 128/869

(75) Inventor: **James J. Huttner**, Sylvania, OH (US)

* cited by examiner

(73) Assignee: **Bionix Development Corporation**,
Toledo, OH (US)

Primary Examiner—Stella Reid

(74) *Attorney, Agent, or Firm*—Marshall & Melhorn, LLC

(**) Term: **14 Years**

(57) **CLAIM**

(21) Appl. No.: **29/156,096**

The ornamental design for a head and neck immobilizer, as shown and described.

(22) Filed: **Feb. 22, 2002**

DESCRIPTION

(51) **LOC (7) Cl.** **24-01**

(52) **U.S. Cl.** **D24/191**

(58) **Field of Search** D24/190, 191;
602/5, 6, 17, 18; 128/869, 870

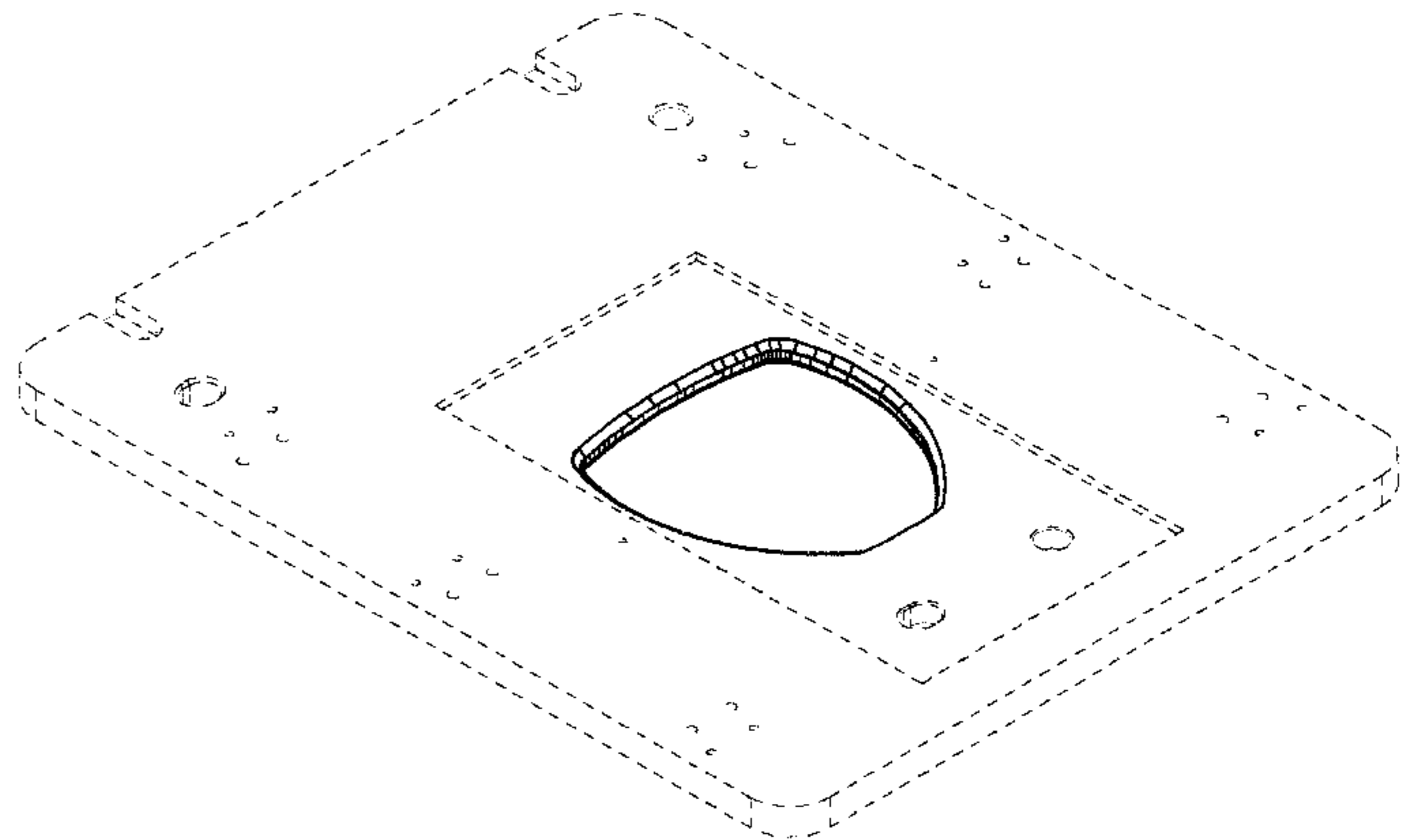
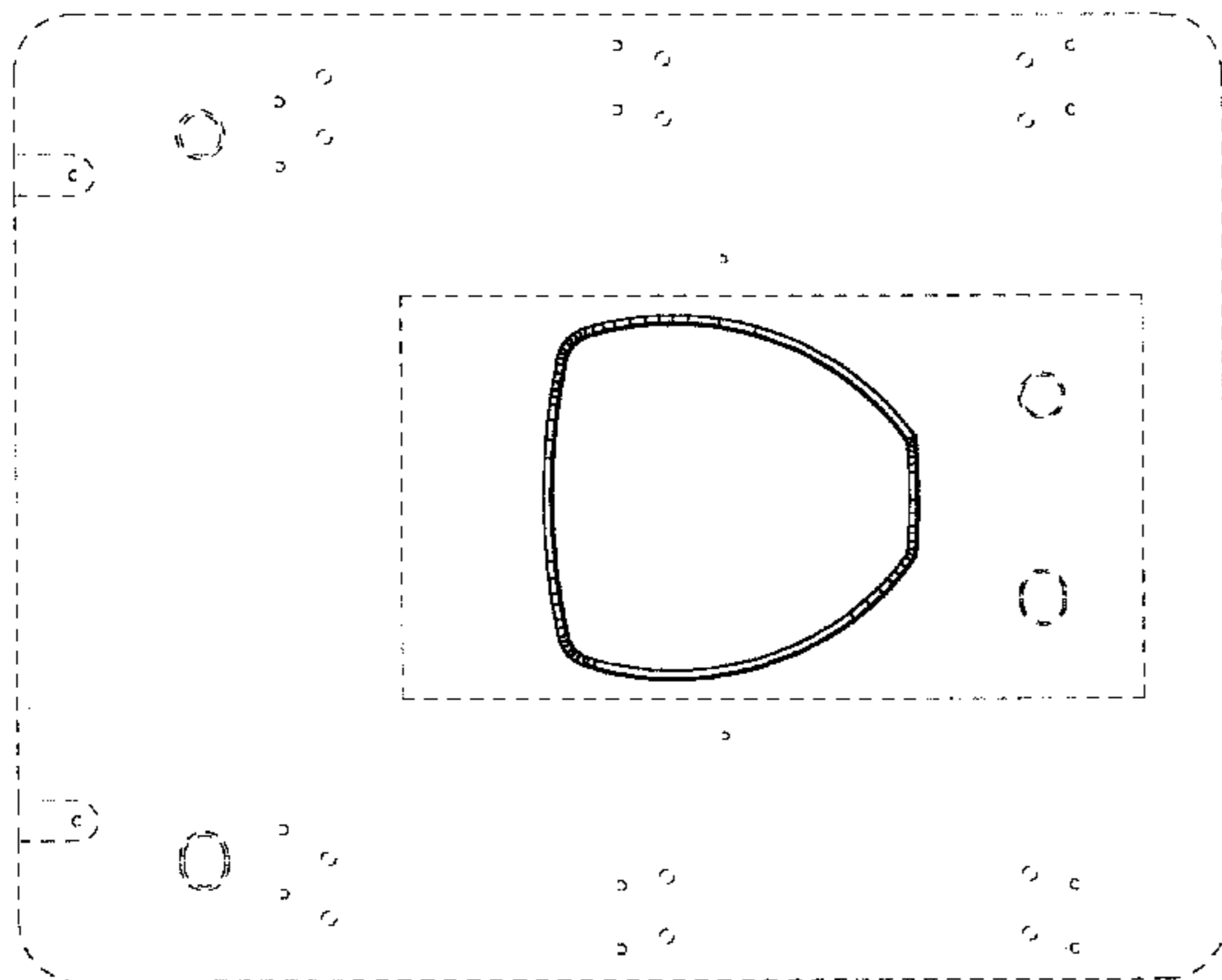
FIG. 1 is a top plan view showing my new design;
FIG. 2 is a bottom plan view of my new design;
FIG. 3 is a left, top perspective view of my new design; and,
FIG. 4 is a right, bottom perspective view of my new design.
The broken lines shown in FIGS. 1-4 represent unclaimed subject matter. The left side, right side, front and rear views do not form part of the claimed design.

(56) **References Cited**

U.S. PATENT DOCUMENTS

D323,218 S * 1/1992 Kamensky D24/191
5,782,244 A * 7/1998 Kostich 128/869

1 Claim, 4 Drawing Sheets



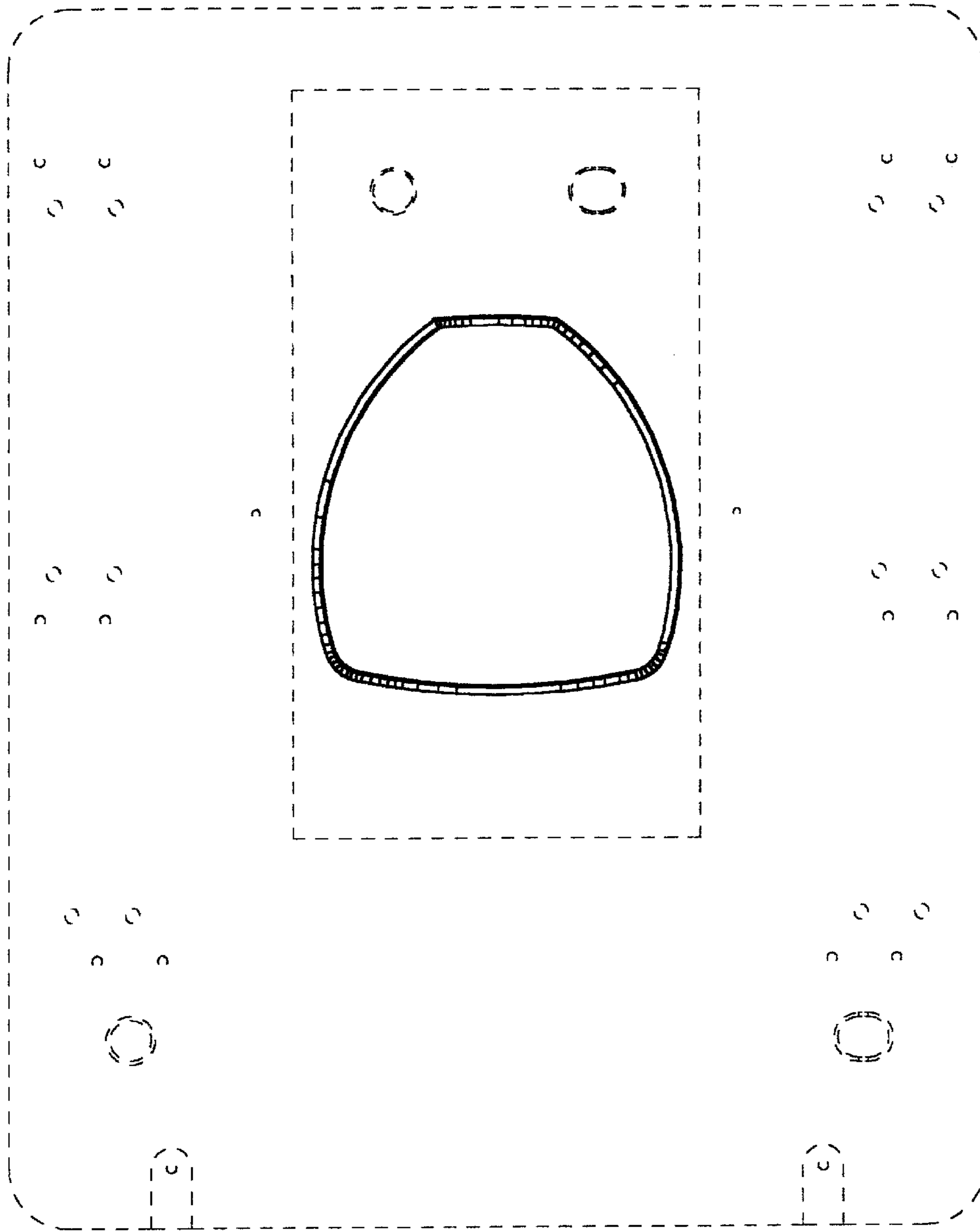


FIG. 1

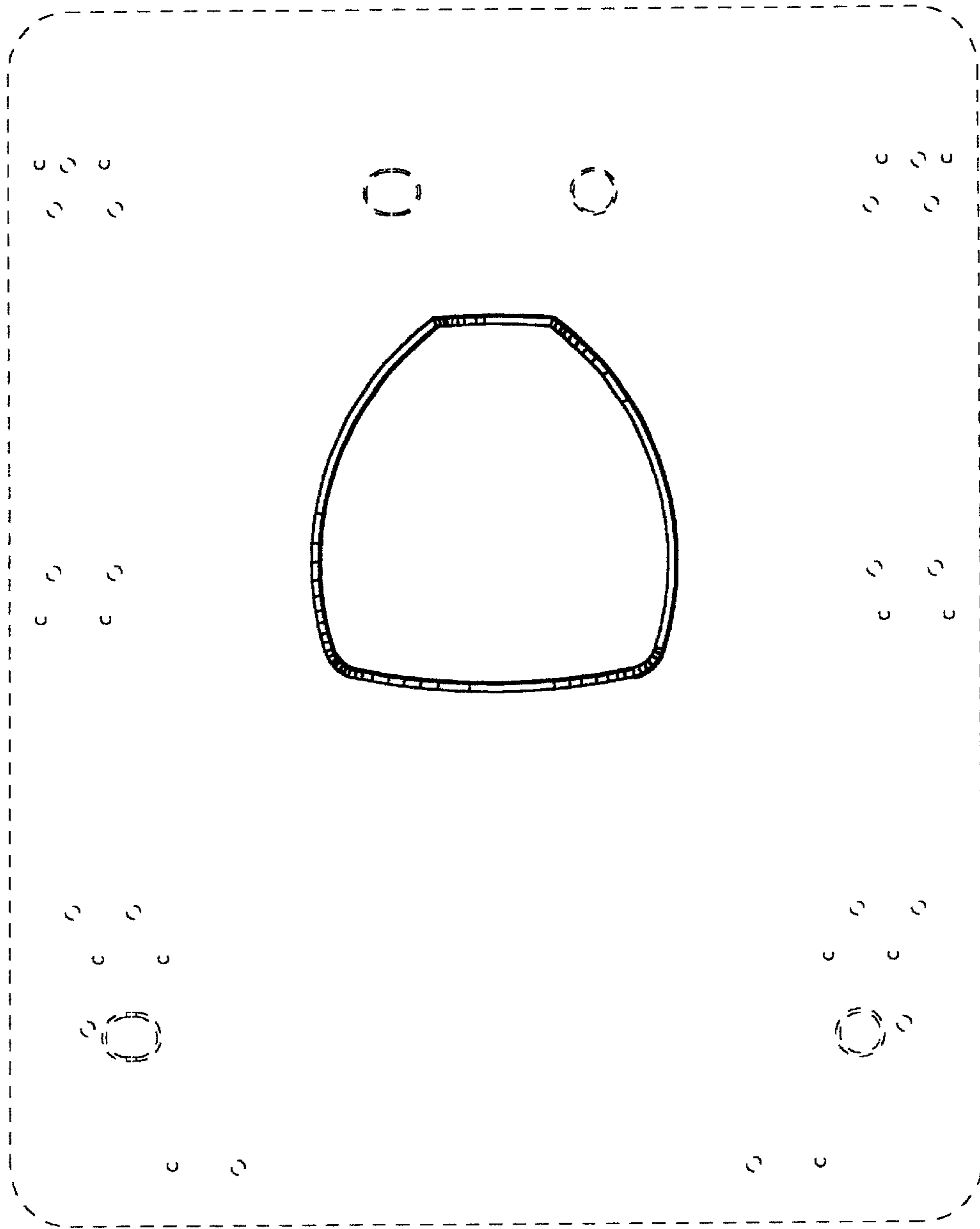


FIG. 2

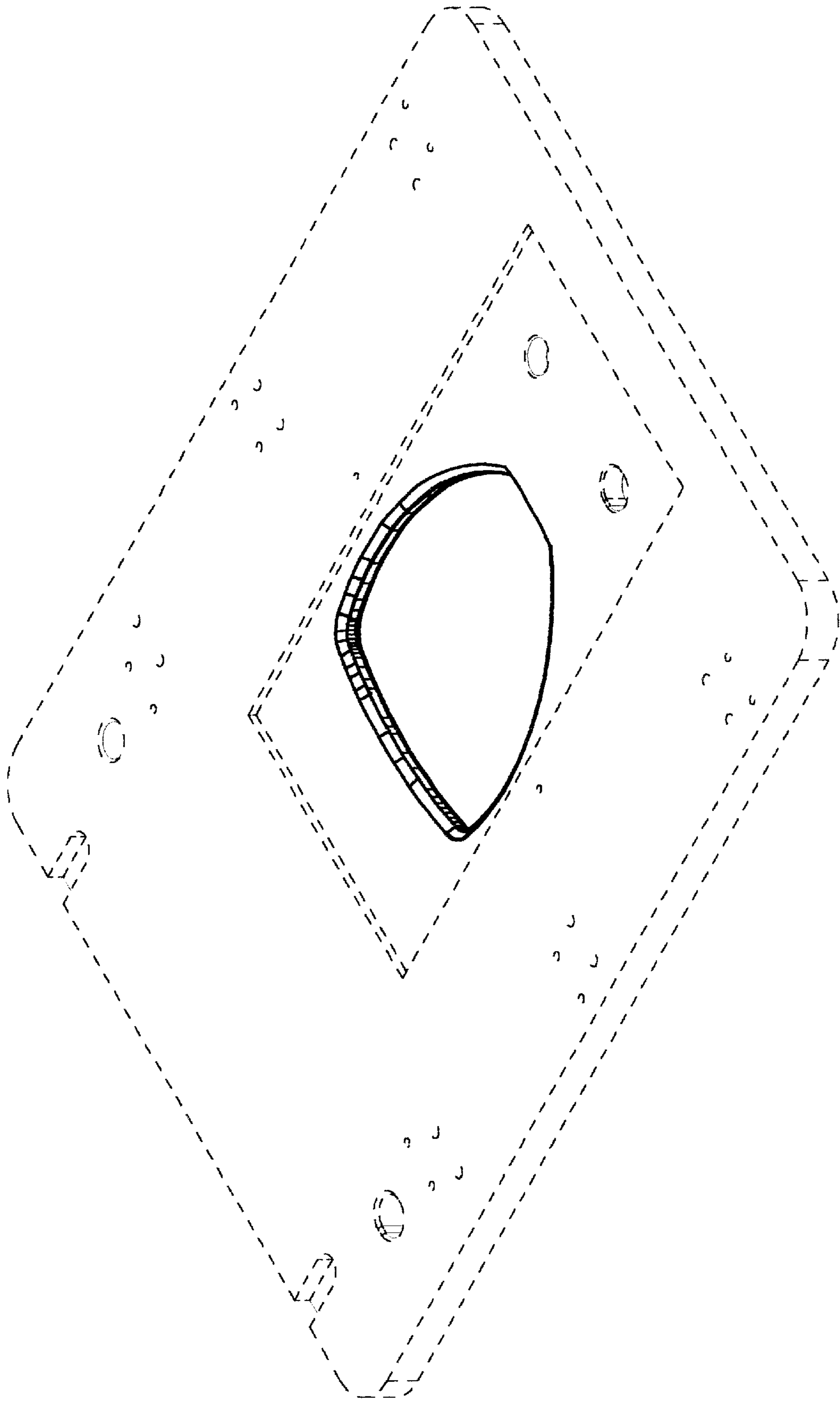


FIG. 3

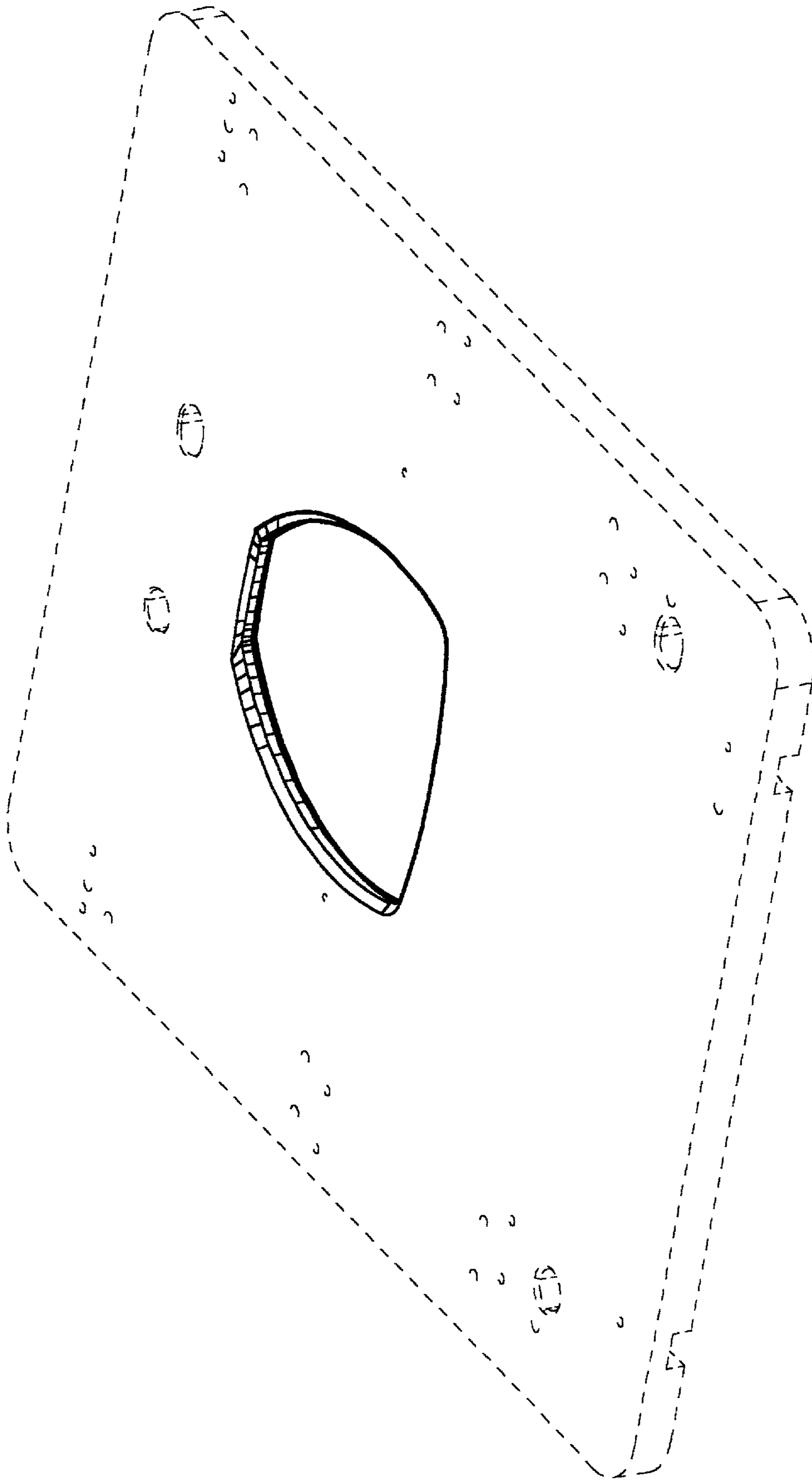


FIG. 4