



US00D462445S

(12) **United States Design Patent** (10) **Patent No.:** **US D462,445 S**
Barde et al. (45) **Date of Patent:** **** Sep. 3, 2002**

(54) **PATIENT LOCATING TABLE**

DESCRIPTION

(75) Inventors: **Karlheinz Barde**, Speichersdorf; **Dieter Heidl**, Erbdorf; **Thomas Schoeckmann**, Kemnath; **Kerstin Waldbach**, Kirchenpingarten, all of (DE)

FIG. 1 is a perspective view showing the left side, back side and top of the patient locating table in accordance with the present invention;

(73) Assignee: **Siemens Aktiengesellschaft**, Munich (DE)

FIG. 2 is an enlarged perspective view of the patient locating table of FIG. 1 showing the back side in greater detail;

(**) Term: **14 Years**

FIG. 3 is a perspective view showing the left side, front side and top of the patient locating table of FIG. 1 with the right side being a mirror image of the left side;

(21) Appl. No.: **29/136,472**

FIG. 4 is a perspective view similar to FIG. 3 showing the table surface in a tilted-down position;

(22) Filed: **Jan. 31, 2001**

FIG. 5 is a side view of the left side of another embodiment of the patient locating table of FIG. 1;

(30) **Foreign Application Priority Data**

Jul. 31, 2000 (DE) 400 07 372

FIG. 6 is an elevational view of the right side of the patient locating table of FIG. 5;

(51) **LOC (7) Cl.** **24-01**

(52) **U.S. Cl.** **D24/183**

FIG. 7 is a front elevational view of the patient locating table of FIG. 5;

(58) **Field of Search** D24/183; 5/600, 5/607, 611, 612, 621, 622

FIG. 8 is a back elevational view of the patient locating table of FIG. 5;

(56) **References Cited**

U.S. PATENT DOCUMENTS

3,281,141	A	*	10/1966	Smiley et al.	5/614
D221,910	S	*	9/1971	Brendgord	D24/183
D249,359	S	*	9/1978	Stott et al.	D24/183
4,148,472	A	*	4/1979	Rais et al.	5/601
4,186,917	A	*	2/1980	Rais et al.	5/614
4,865,303	A	*	9/1989	Hall	5/614
4,872,657	A	*	10/1989	Lussi	5/608
6,038,718	A	*	3/2000	Pennington et al.	5/618

FIG. 9 is a top plan view of the patient locating table of FIG. 5;

FIG. 10 is a perspective view of the left side, front side and top of the patient locating table of FIG. 5; and,

FIG. 11 is a perspective view of the left side, back side and bottom of the patient locating table of FIG. 5.

* cited by examiner

The difference between the embodiment of FIGS. 1-4 and the embodiment of FIGS. 5-11 are primarily the shape of the projecting portion of the upper table for supporting a patient and that the rear, in the embodiment of FIGS. 1-4, has a corrugated tubing for encasing electrical wiring going between the bottom of the base and the back of the table, while the embodiment of FIGS. 5-11 has two rigid portions with a gap therebetween.

Primary Examiner—Stella Reid

(74) *Attorney, Agent, or Firm*—Schiff Hardin & Waite

(57) **CLAIM**

The ornamental design for a patient locating table, as shown and described.

1 Claim, 10 Drawing Sheets

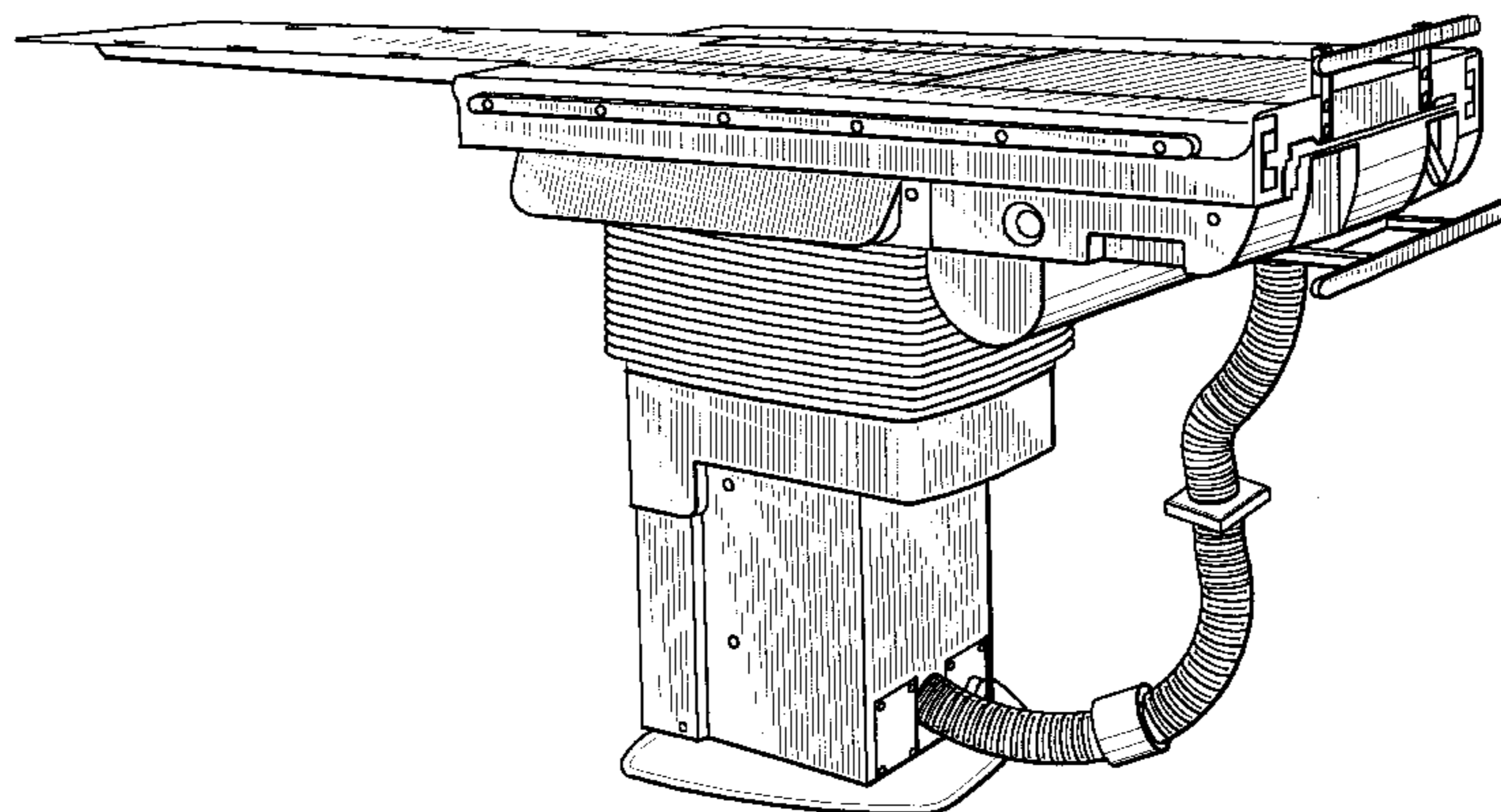
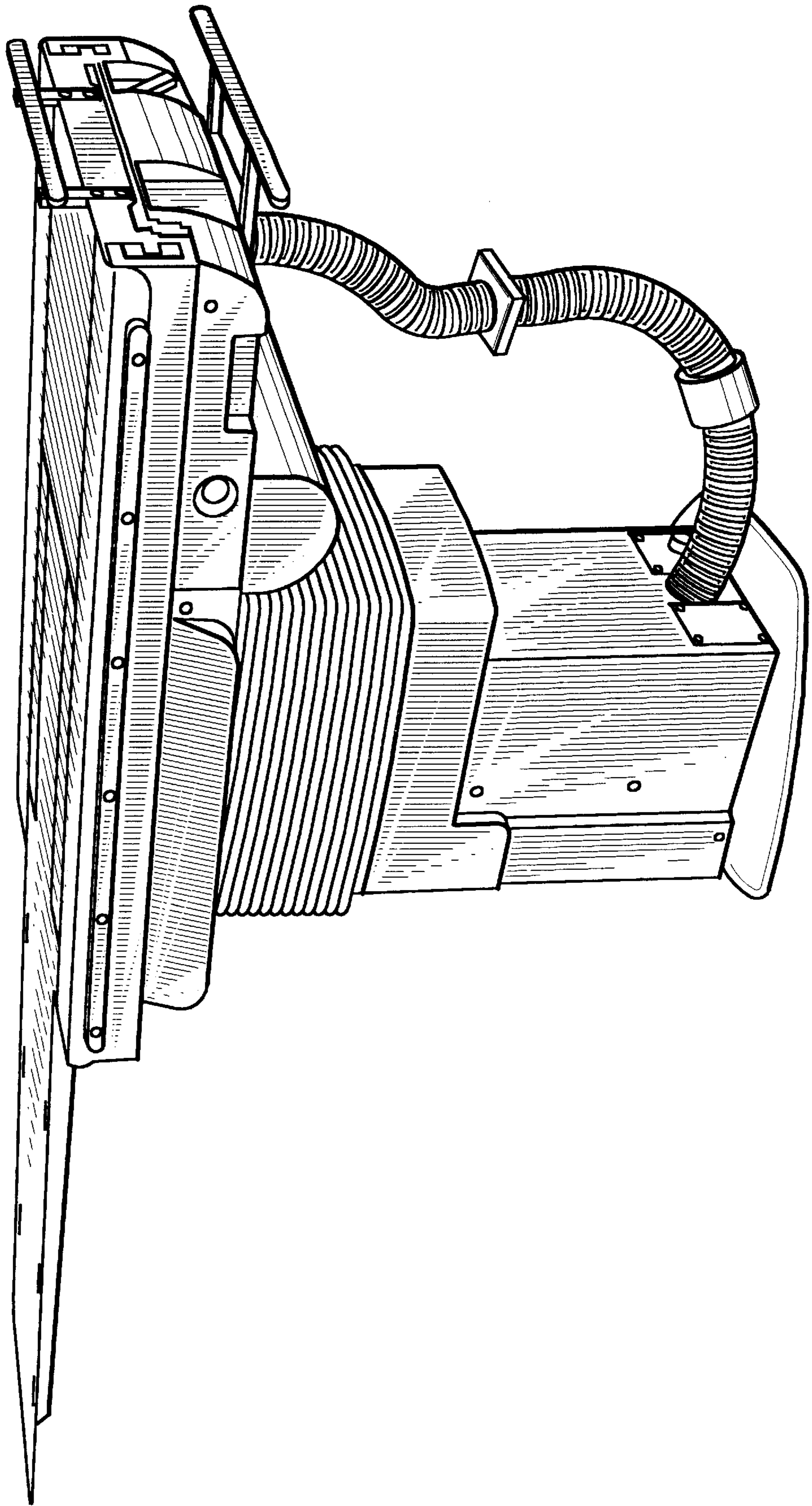


FIG. 1



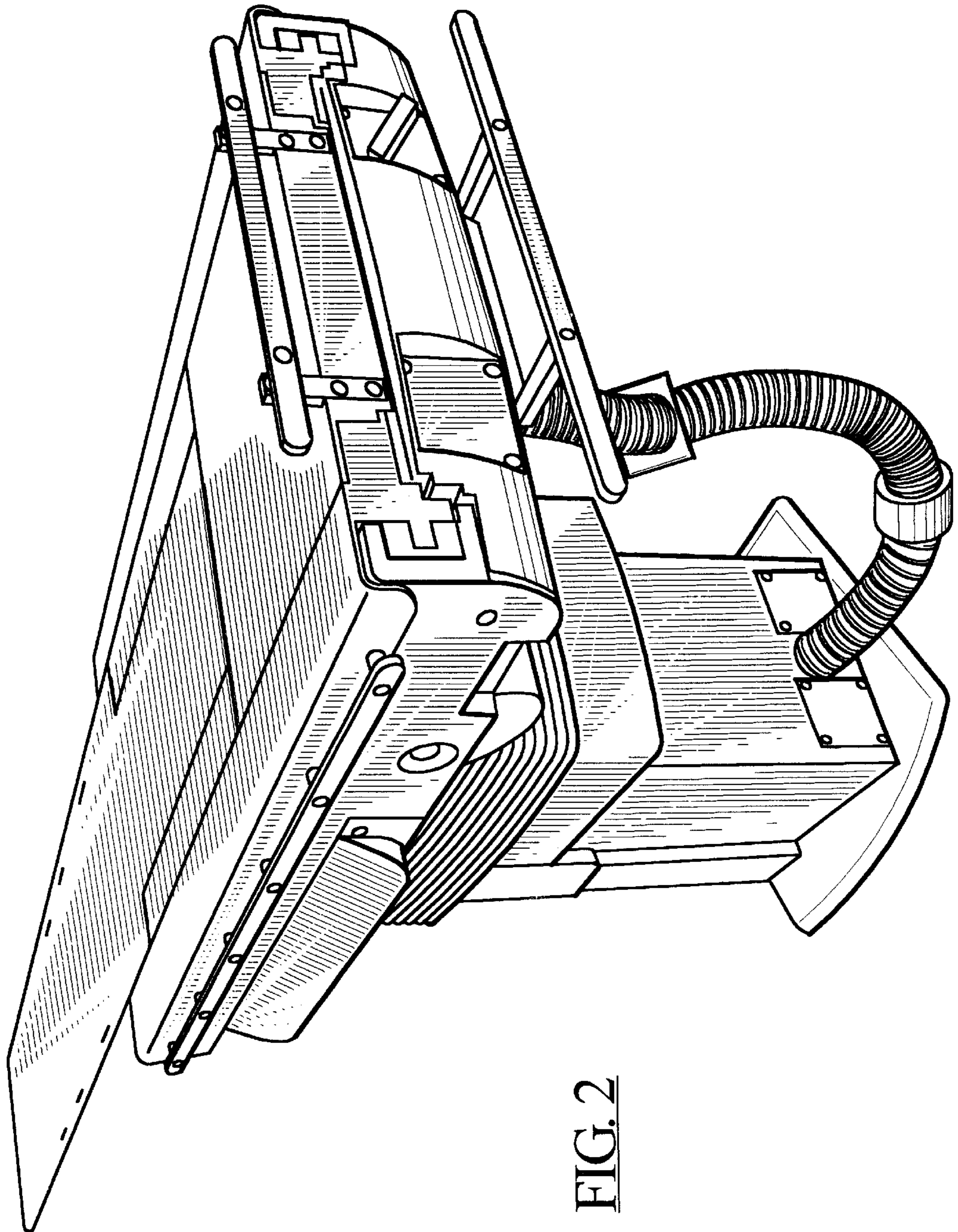


FIG. 2

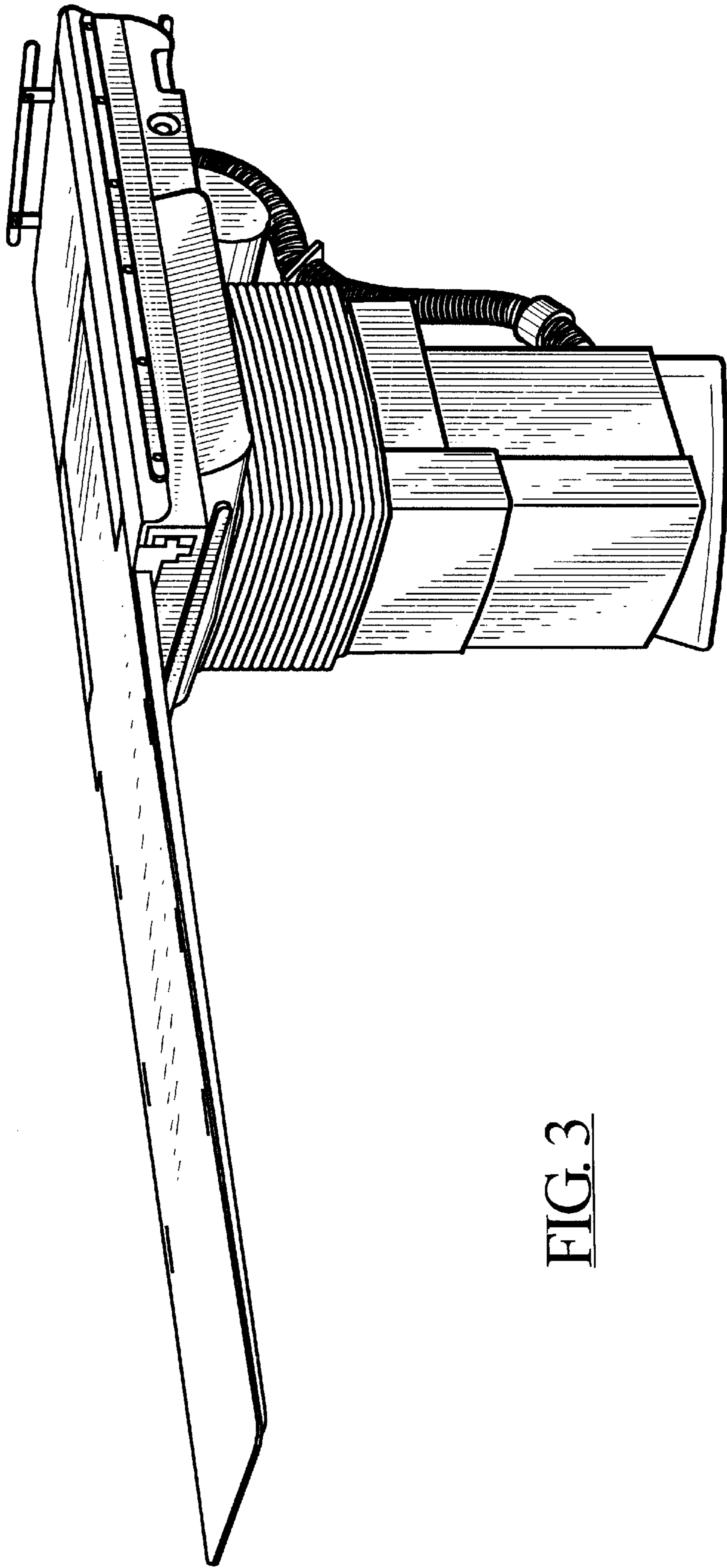


FIG. 3

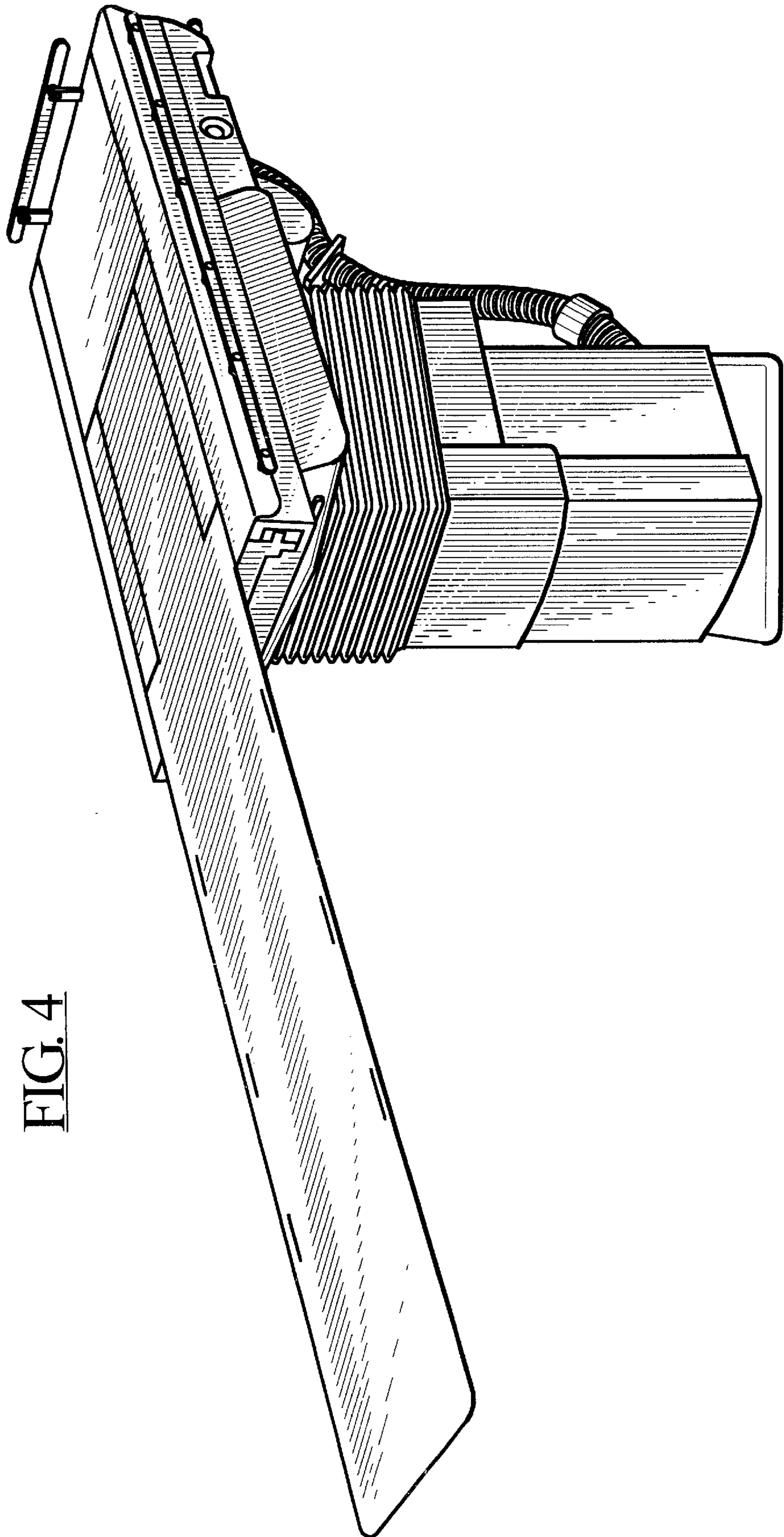


FIG. 4

FIG. 5

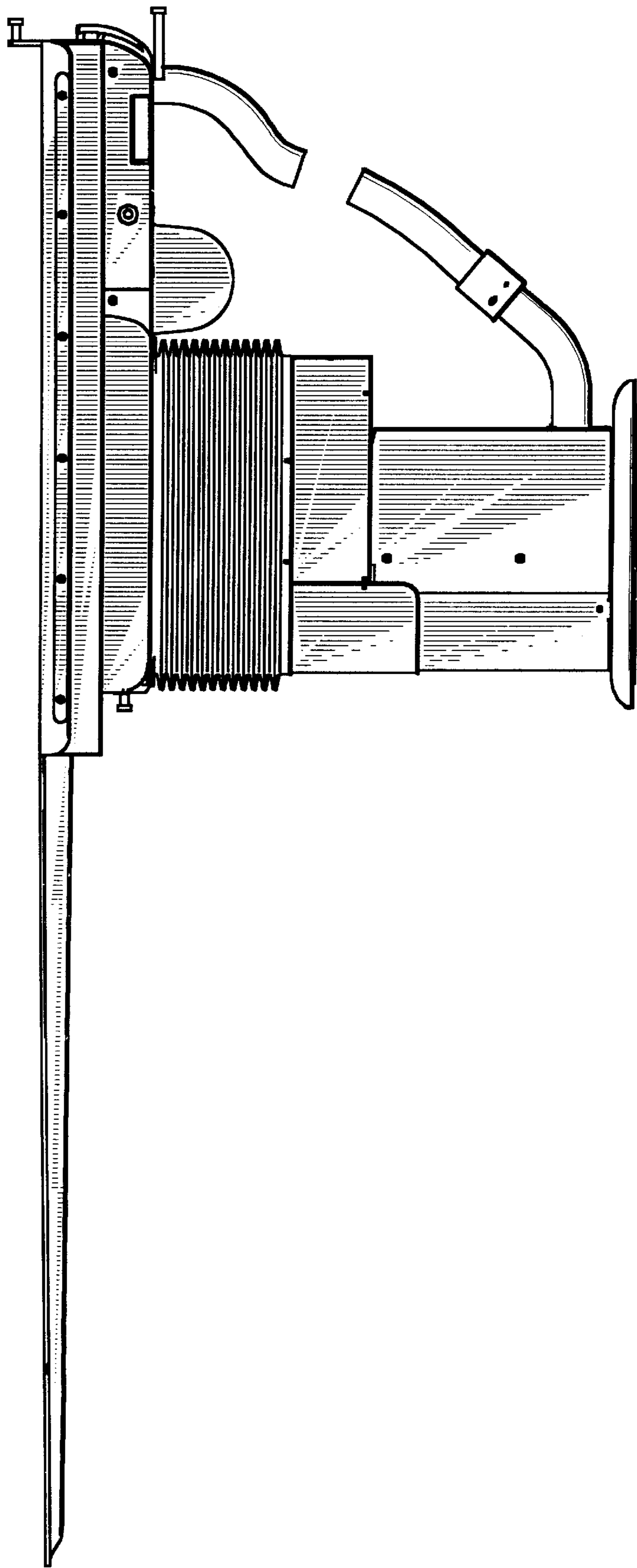
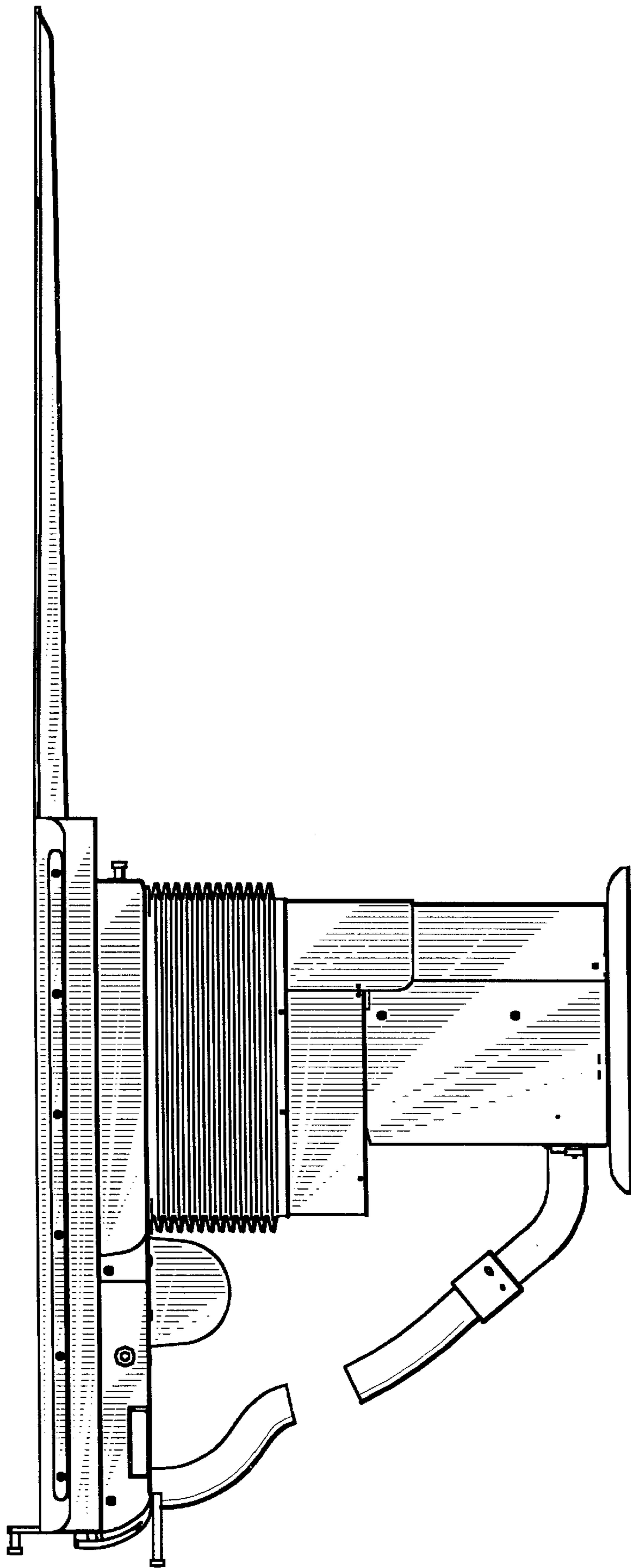


FIG. 6



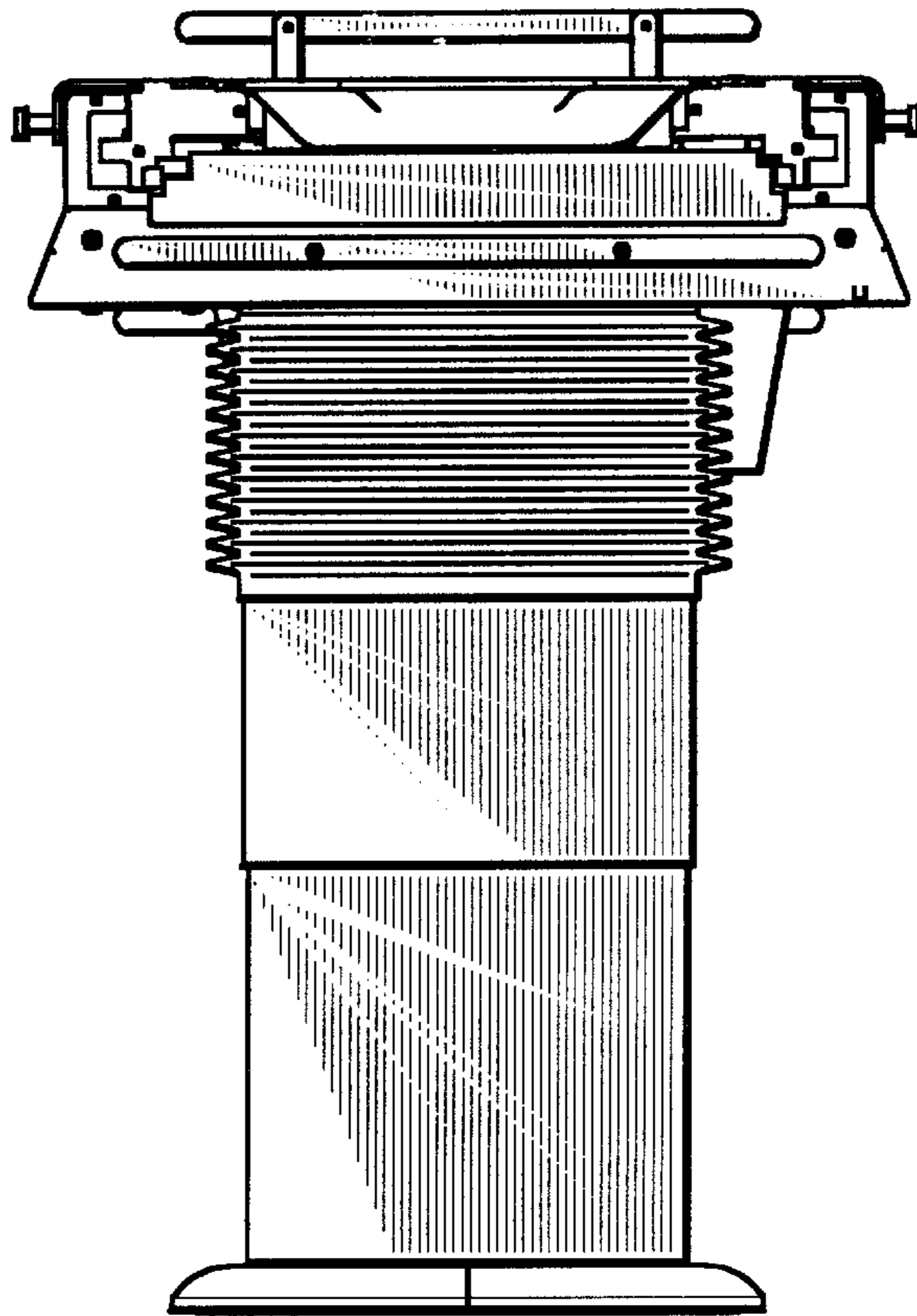


FIG. 7

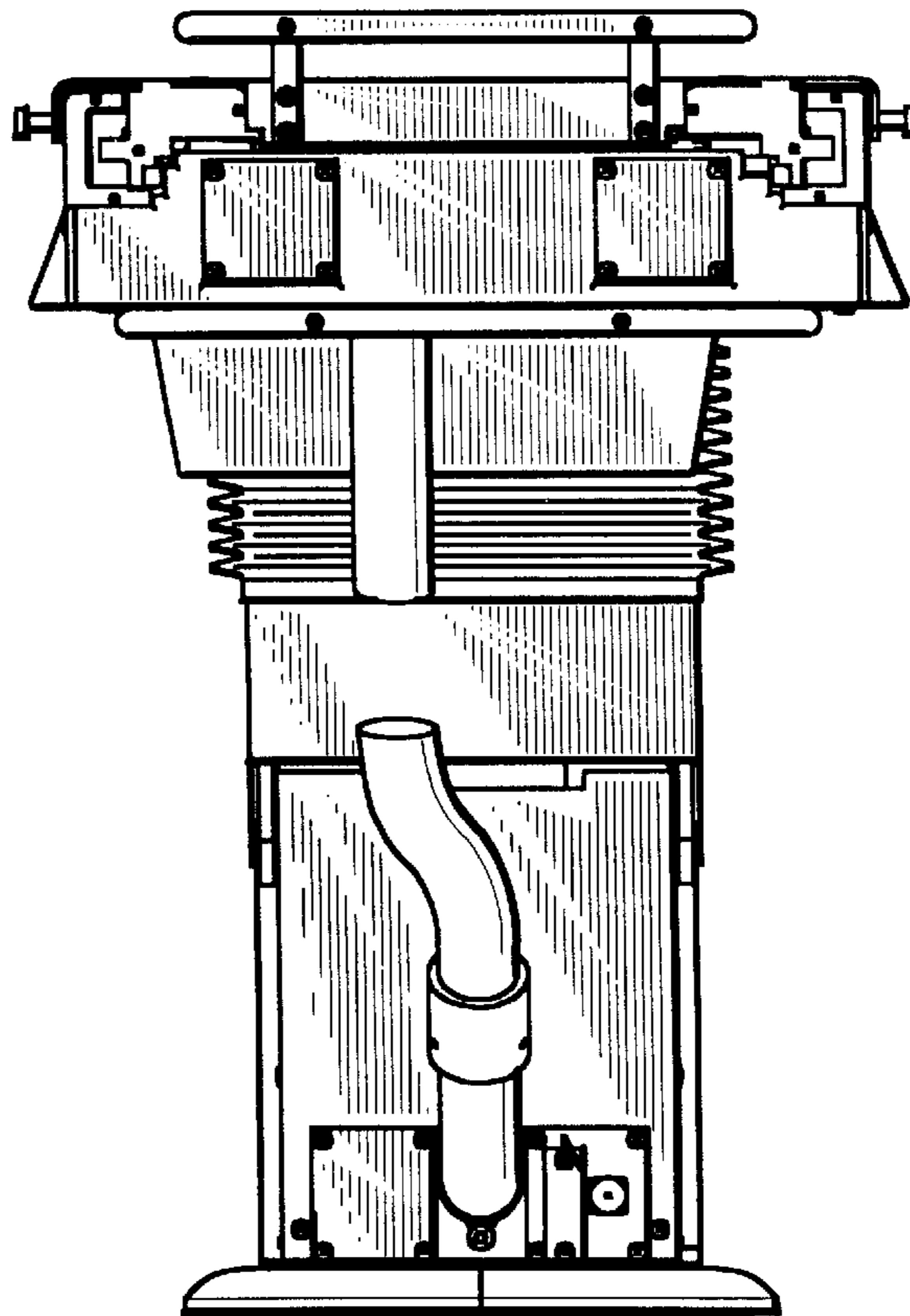
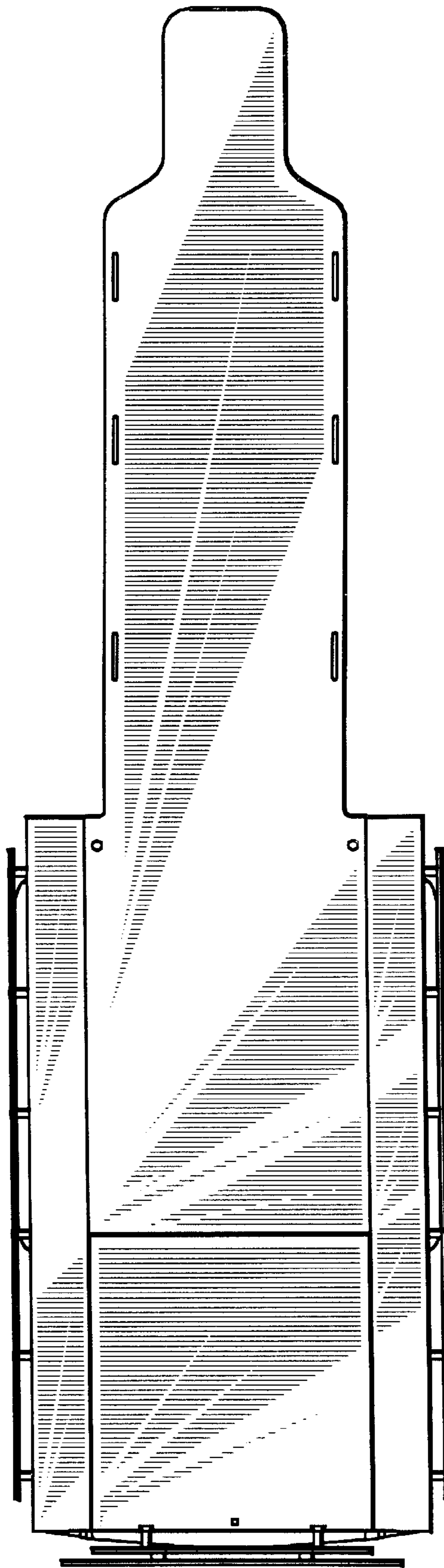


FIG. 8

FIG. 9



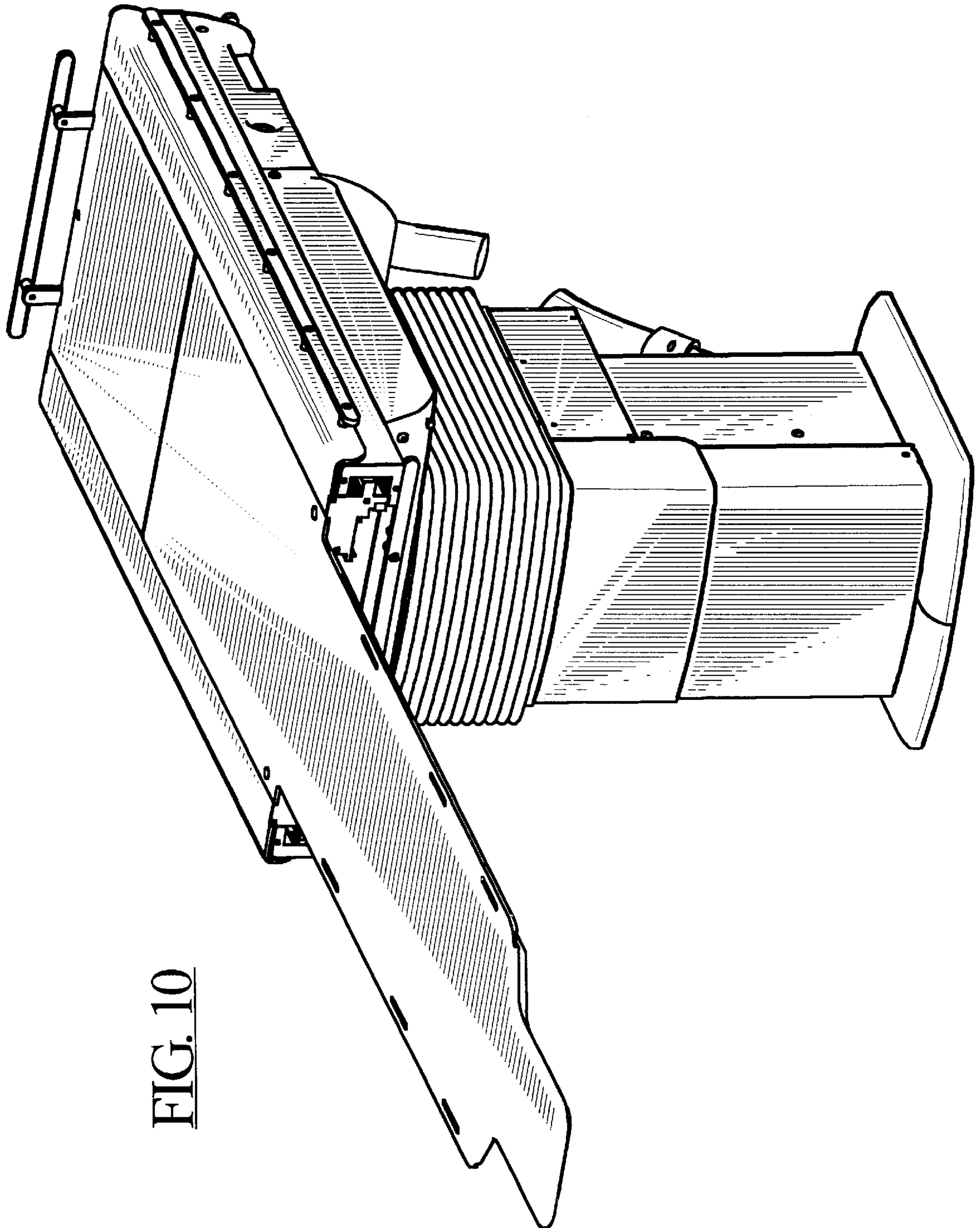


FIG. 10

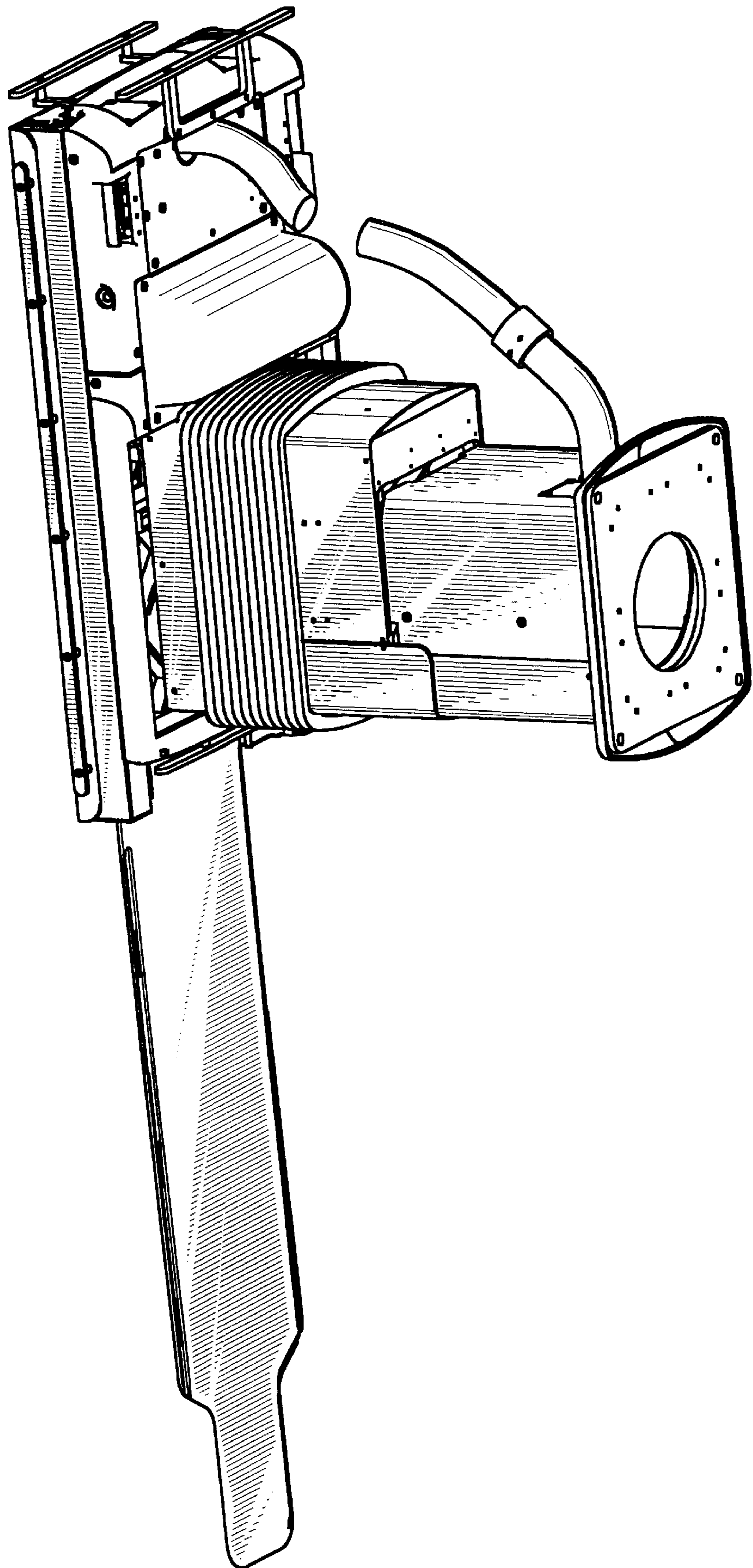


FIG. 11