



US00D462443S

(12) **United States Design Patent**
Webb

(10) **Patent No.:** **US D462,443 S**

(45) **Date of Patent:** **** Sep. 3, 2002**

(54) **APPLANATION LENS CONE FOR
OPHTHALMIC LASER SURGERY**

(75) **Inventor:** **R. Kyle Webb, Escondido, CA (US)**

(73) **Assignee:** **IntraLase Corporation, Irvine, CA
(US)**

(**) **Term:** **14 Years**

(21) **Appl. No.:** **29/140,177**

(22) **Filed:** **Apr. 11, 2001**

(51) **LOC (7) Cl.** **24-02**

(52) **U.S. Cl.** **D24/150; D24/133**

(58) **Field of Search** **D24/140, 150,
D24/109, 133, 137; 606/166, 170, 172,
4, 5, 161**

(56) **References Cited**

U.S. PATENT DOCUMENTS

- D337,383 S * 7/1993 Smith D24/140
- 5,336,215 A * 8/1994 Hsueh et al. 606/4
- 5,486,188 A * 1/1996 Smith 606/166

- 5,549,632 A * 8/1996 Lai 606/5
- 5,938,674 A * 8/1999 Terry 606/166
- 5,944,731 A * 8/1999 Hanna 606/166
- 6,090,119 A * 7/2000 Pierce et al. 606/166
- 6,258,110 B1 * 7/2001 Hellenkamp 606/166

* cited by examiner

Primary Examiner—Ian Simmons

(74) *Attorney, Agent, or Firm*—John W. Eldredge; Stradling
Yocca Carlson & Rauth

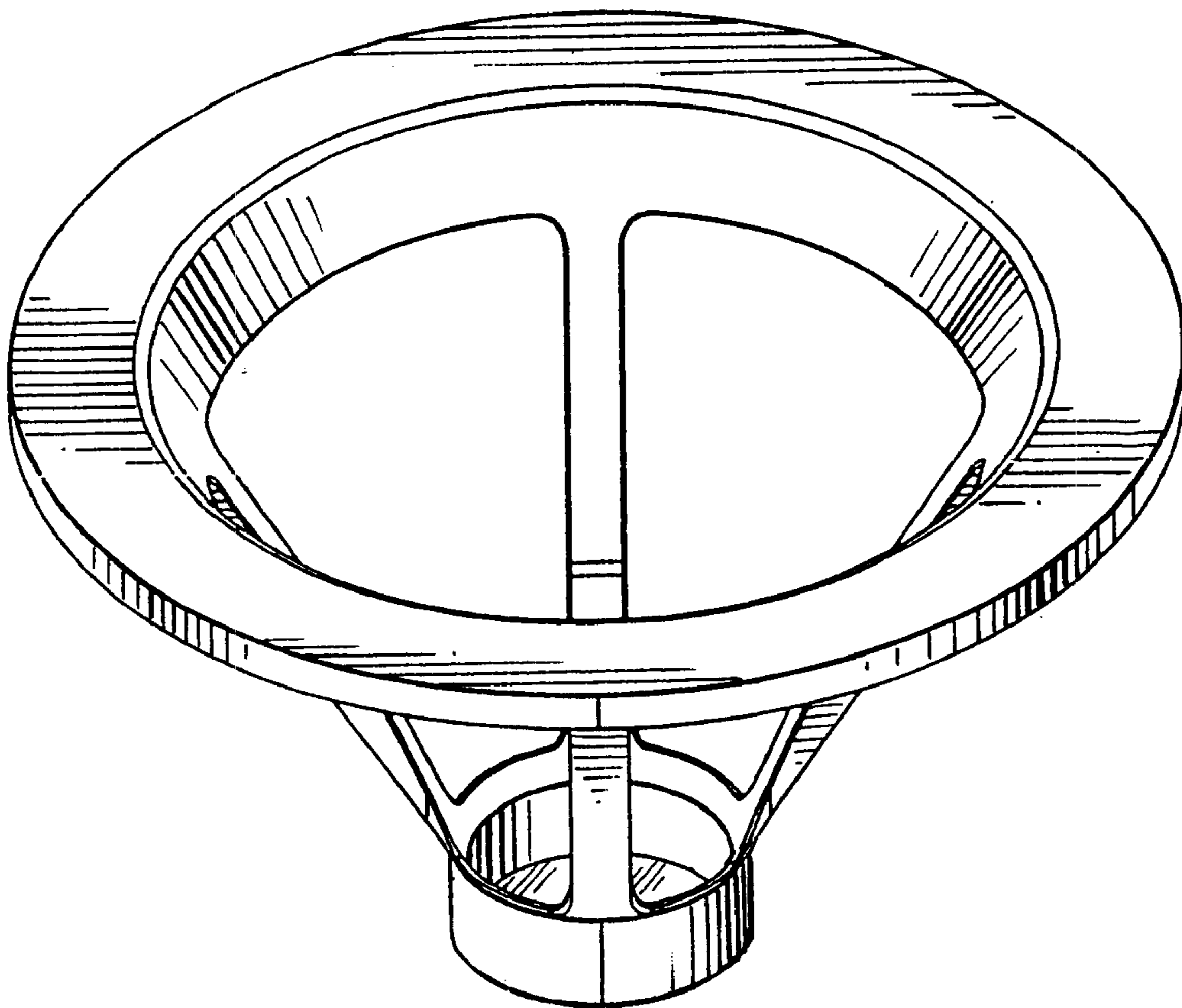
(57) **CLAIM**

The ornamental design for an applanation lens cone for
ophthalmic laser surgery, as shown and described.

DESCRIPTION

FIG. 1 is a perspective view, from above or an applanation
lens cone for ophthalmic laser surgery showing my new
design, with a plano-plano lens shown within;
FIG. 2 is a side elevational view thereof;
FIG. 3 is a bottom plan view thereof; and,
FIG. 4 is a top plan view thereof.

1 Claim, 2 Drawing Sheets



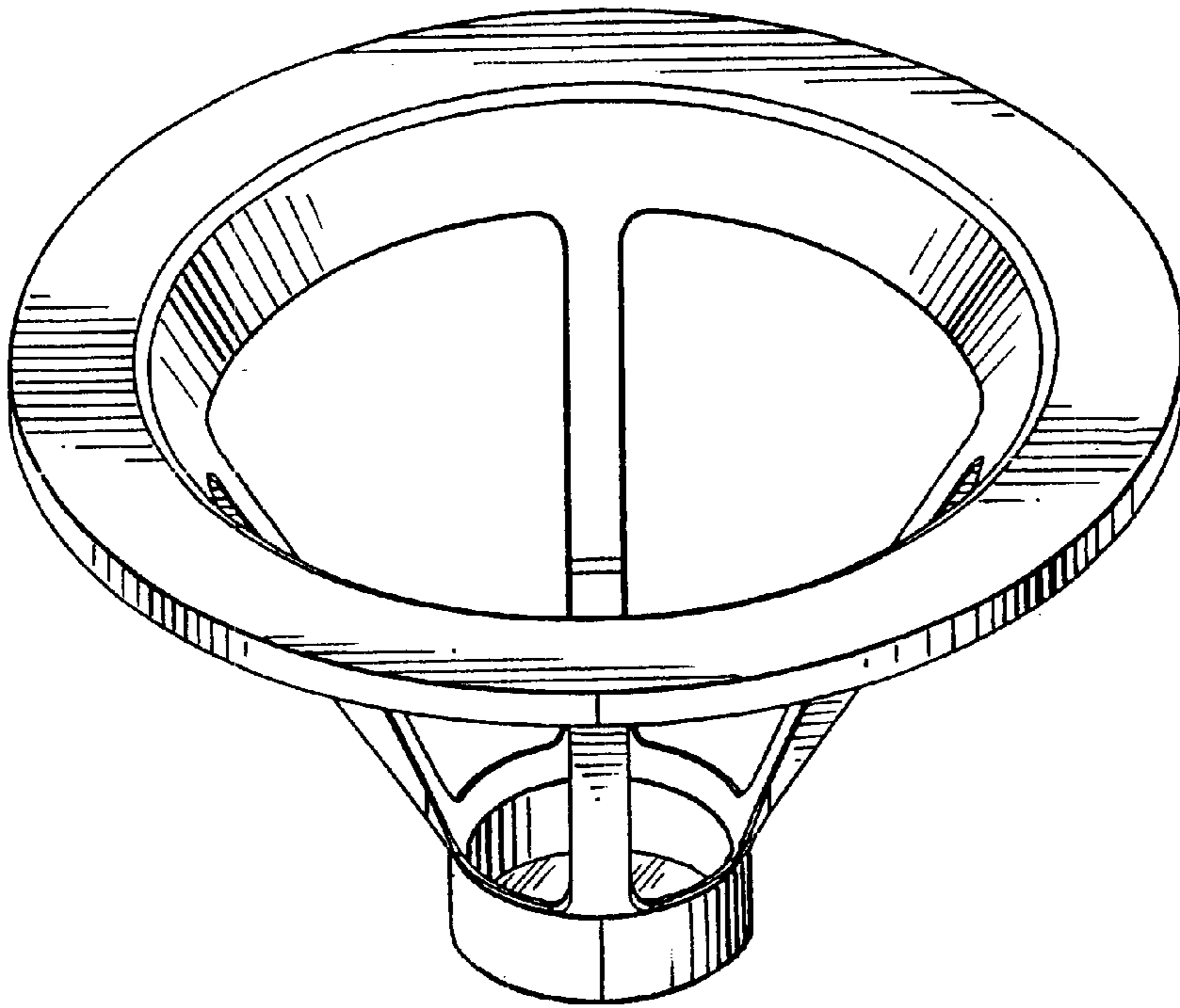


FIG. 1

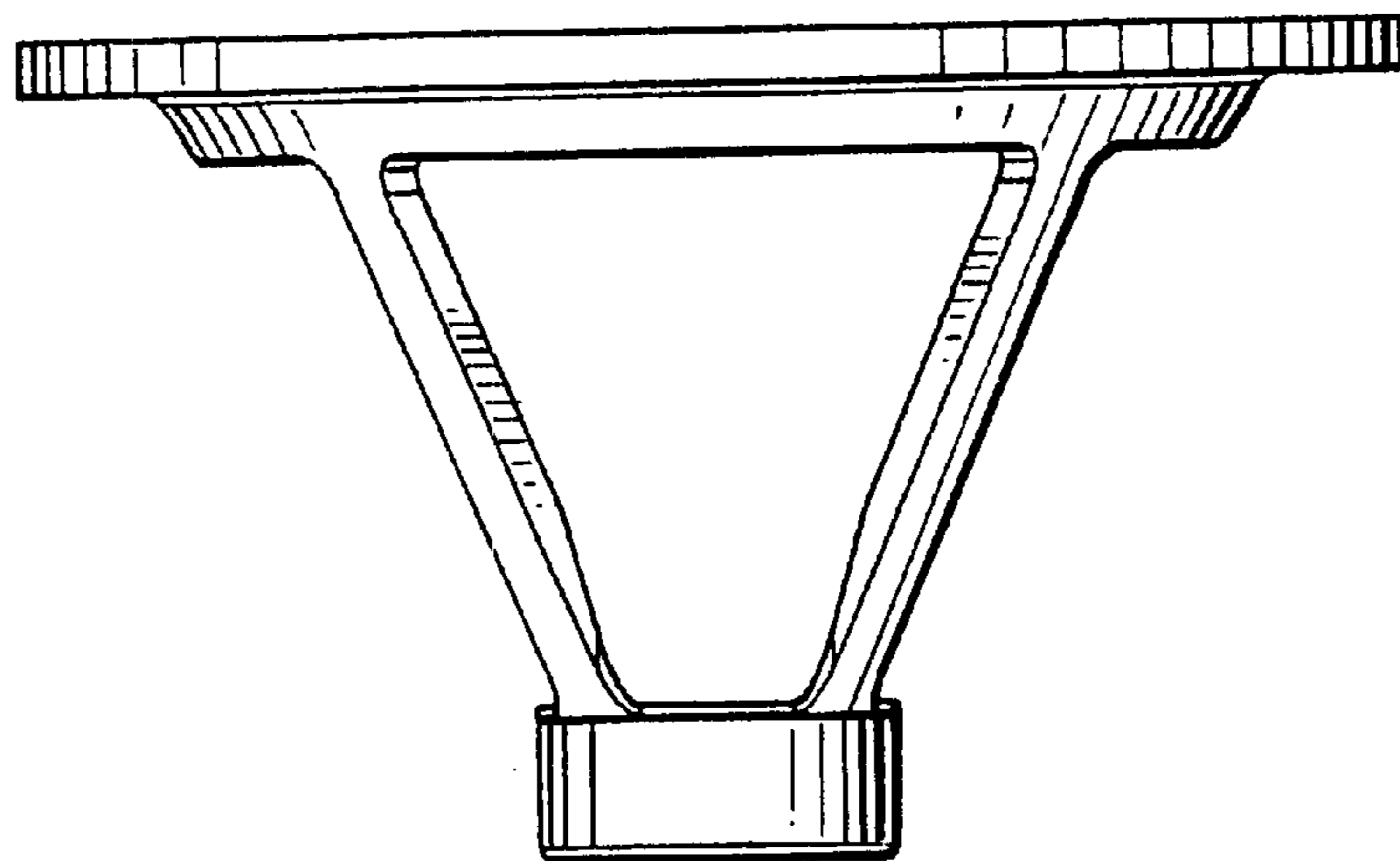


FIG. 2

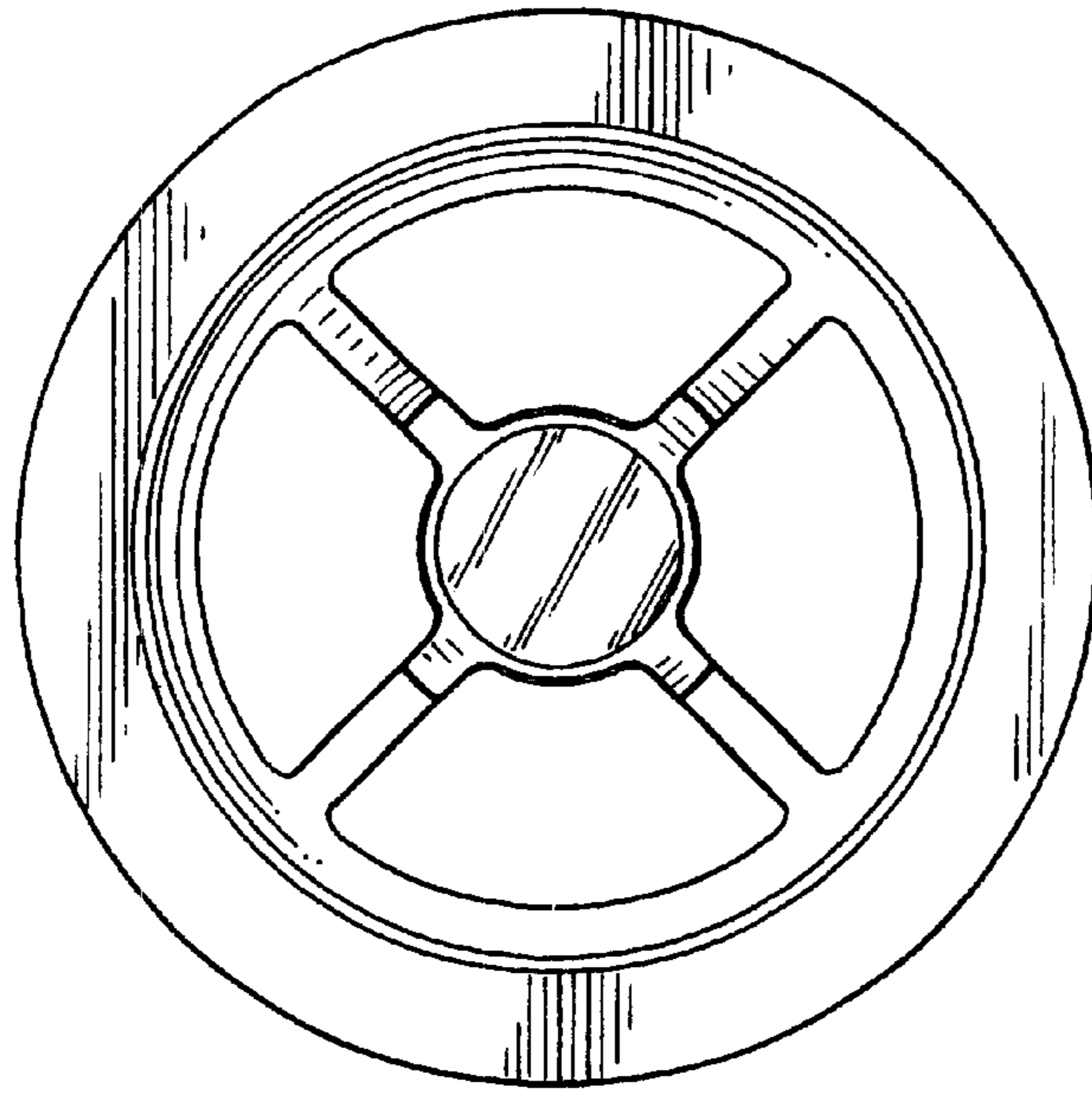


FIG. 3

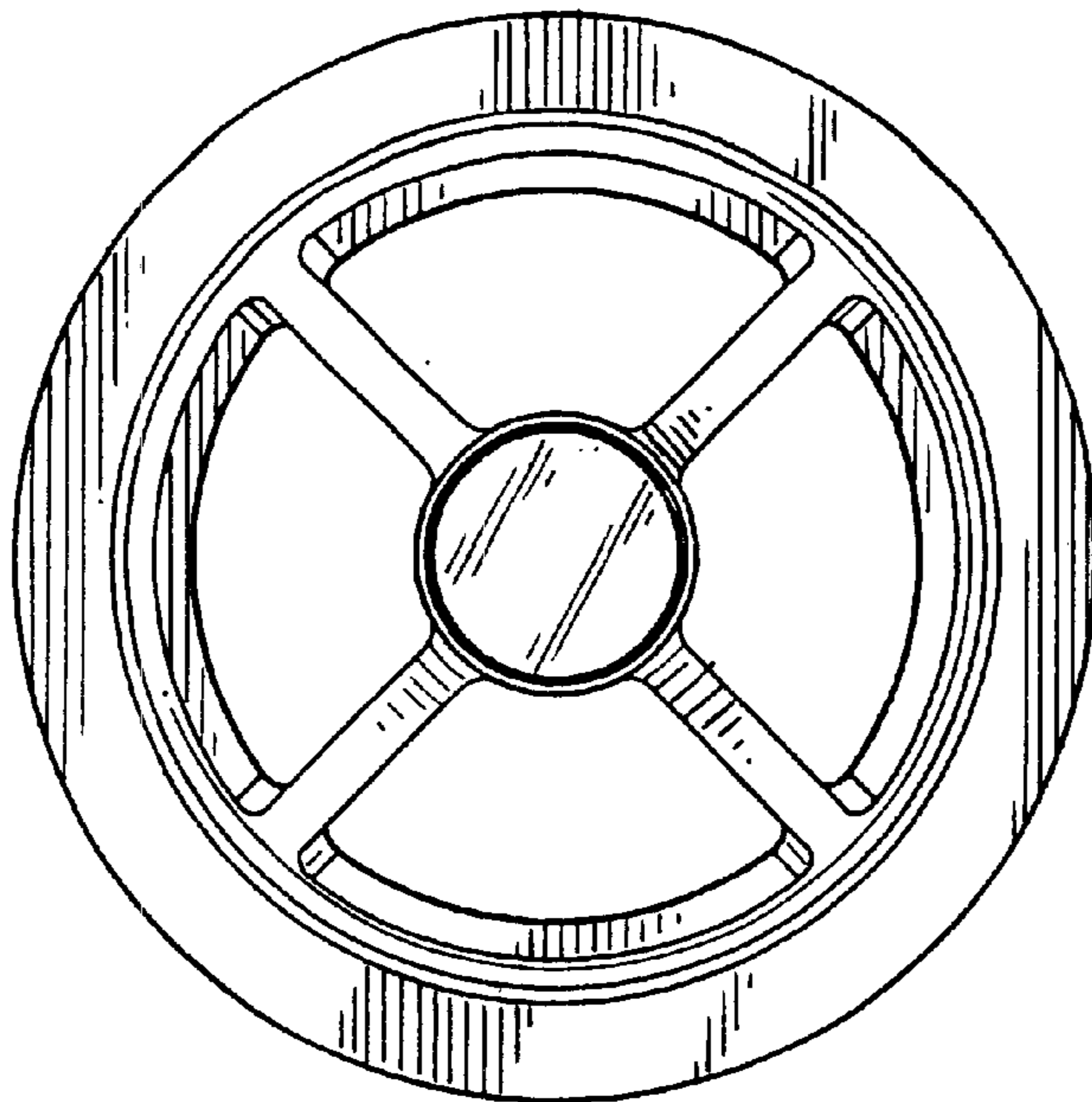


FIG. 4