



US00D462442S

(12) **United States Design Patent**
Webb

(10) **Patent No.:** **US D462,442 S**

(45) **Date of Patent:** **** Sep. 3, 2002**

(54) **SUCTION RING FOR OPHTHALMIC LASER SURGERY**

5,549,632 A * 8/1996 Lai 606/5
6,032,672 A * 3/2000 Taylor 606/205
6,126,668 A * 10/2000 Bair et al. 606/166

(75) **Inventor:** **R. Kyle Webb**, Escondido, CA (US)

* cited by examiner

(73) **Assignee:** **IntraLase Corporation**, Irvine, CA (US)

Primary Examiner—Ian Simmons

(74) *Attorney, Agent, or Firm*—John W. Eldredge; Stradling Yocca Carlson & Rauth

(**) **Term:** **14 Years**

(21) **Appl. No.:** **29/140,160**

(22) **Filed:** **Apr. 11, 2001**

(51) **LOC (7) Cl.** **24-02**

(52) **U.S. Cl.** **D24/150; D24/133; D24/143**

(58) **Field of Search** D24/140, 133, D24/143, 150, 157, 172, 137, 146; 606/4, 5, 166, 161, 205

(56) **References Cited**

U.S. PATENT DOCUMENTS

3,074,407 A * 1/1963 Moon et al. 606/166
4,619,259 A * 10/1986 Graybill et al. 606/166

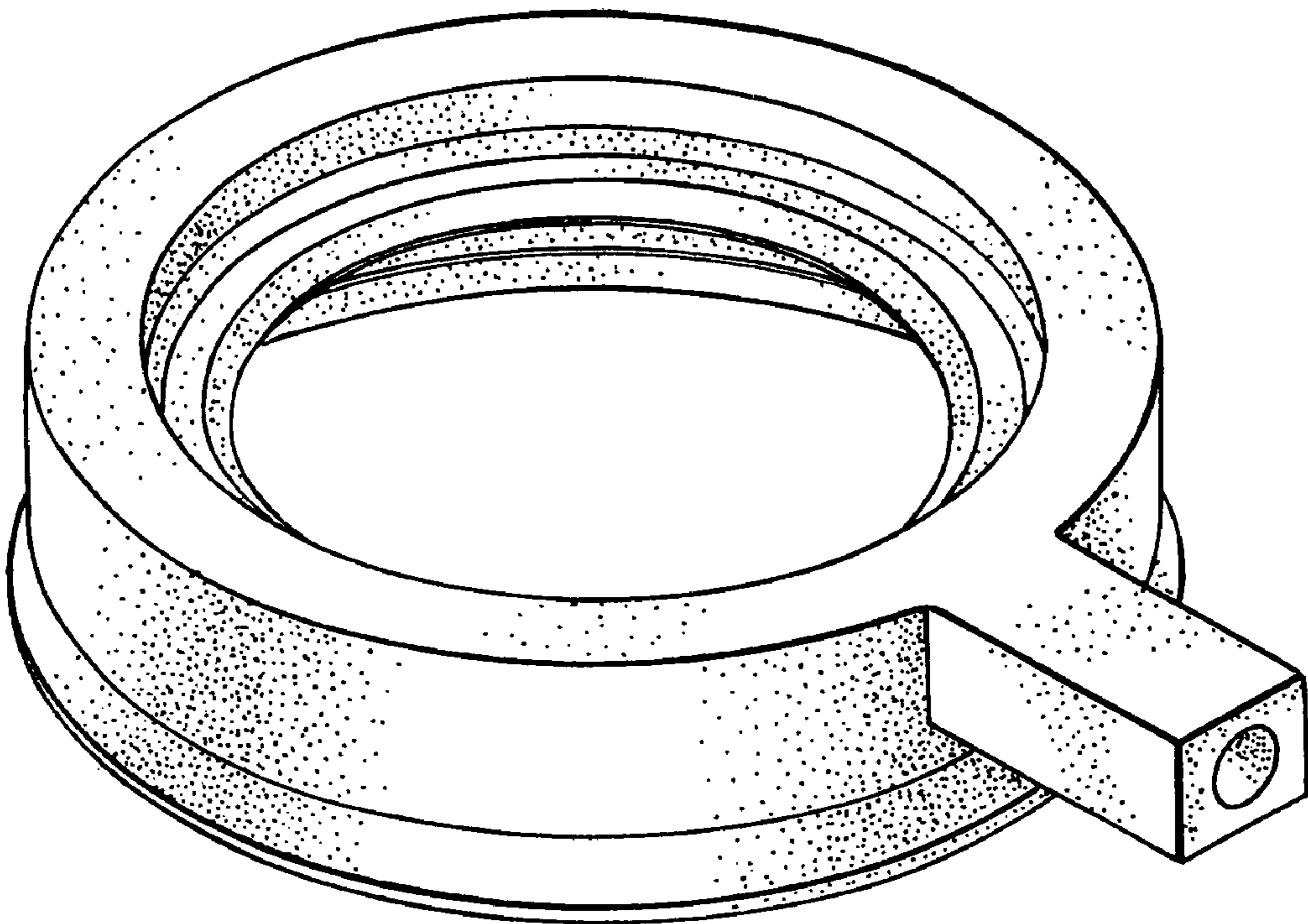
(57) **CLAIM**

The ornamental design for the suction ring for ophthalmic laser surgery, as shown and described.

DESCRIPTION

FIG. 1 is a top plan view of a suction ring for ophthalmic laser surgery showing my new design; FIG. 2 is a bottom plan view thereof; FIG. 3 is a left side elevational view thereof; FIG. 4 is a front elevational view thereof; FIG. 5 is a rear elevational view thereof; and, FIG. 6 is a left rear perspective view of the suction ring for ophthalmic laser surgery showing my new design.

1 Claim, 3 Drawing Sheets



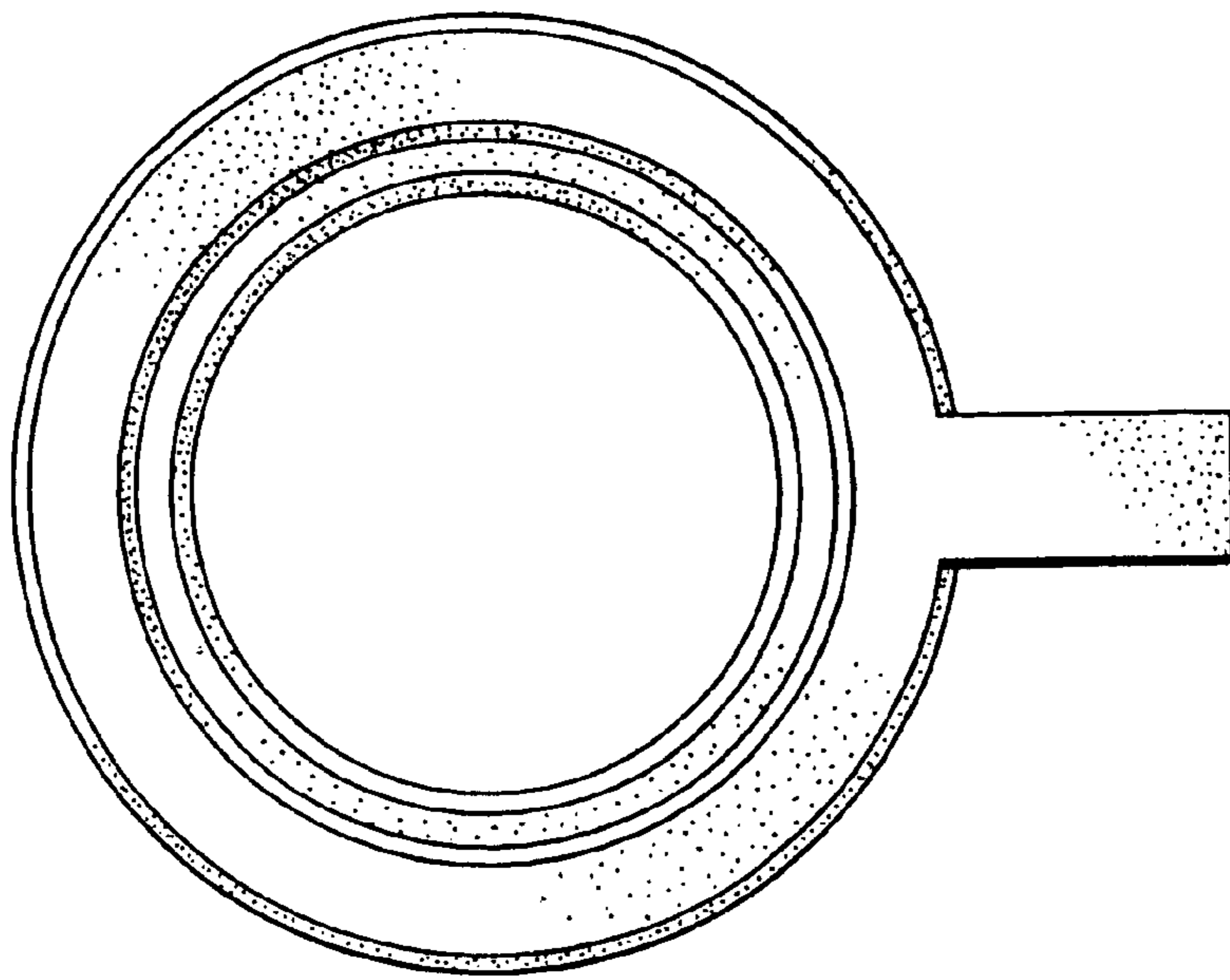


FIG. 1

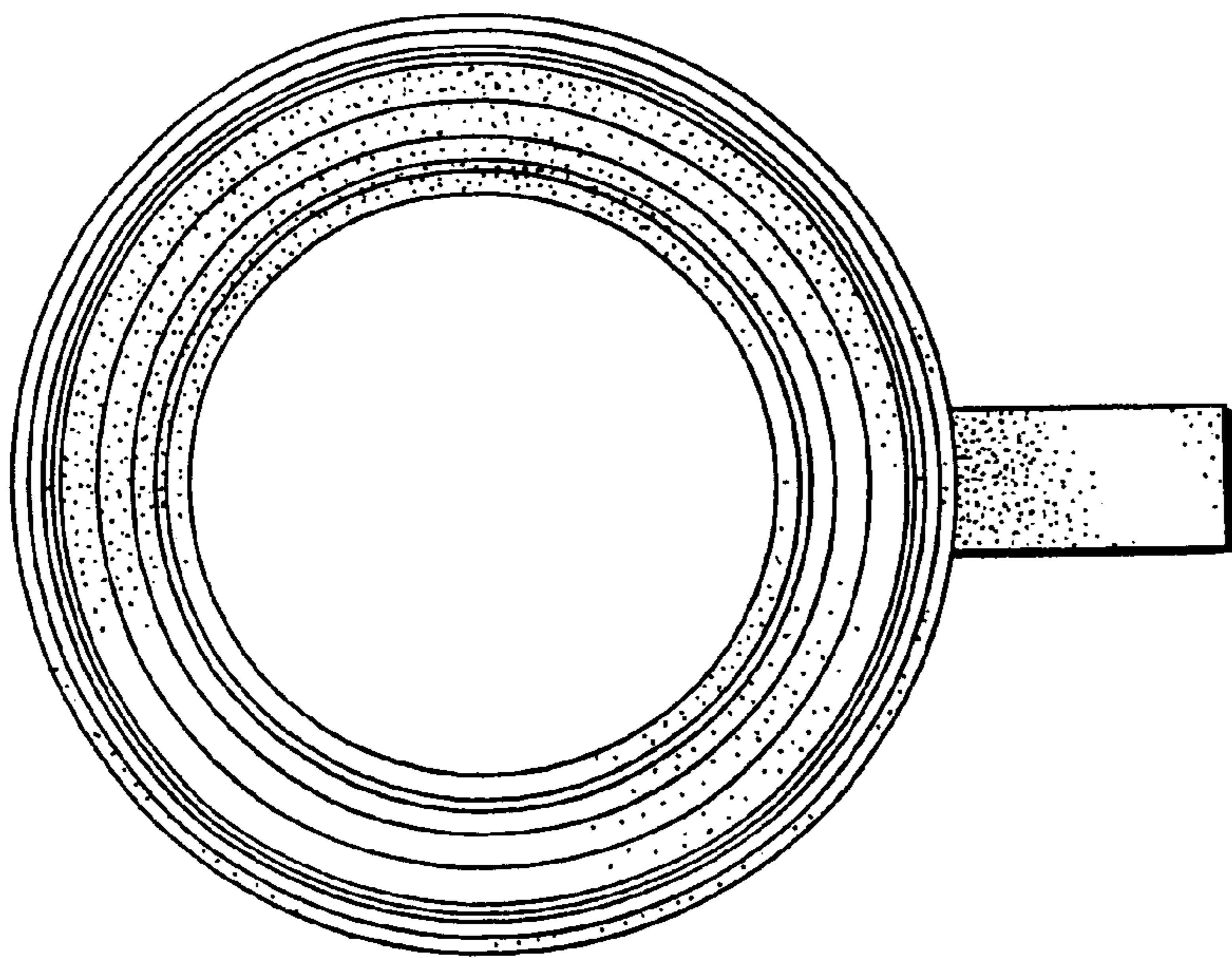


FIG. 2



FIG. 3



FIG. 4

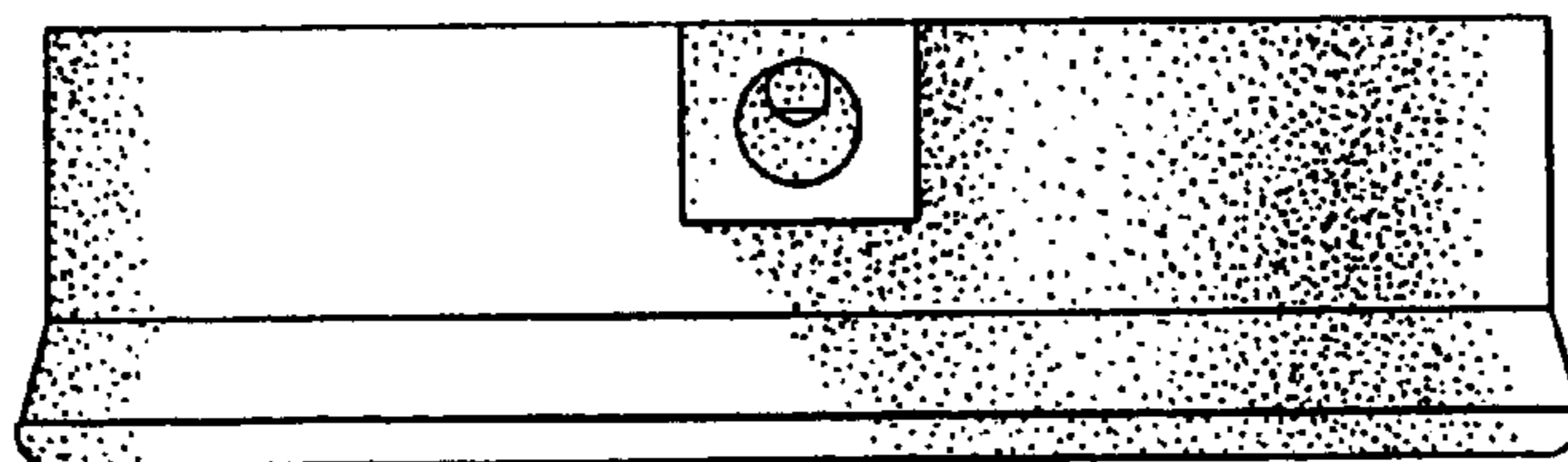


FIG. 5

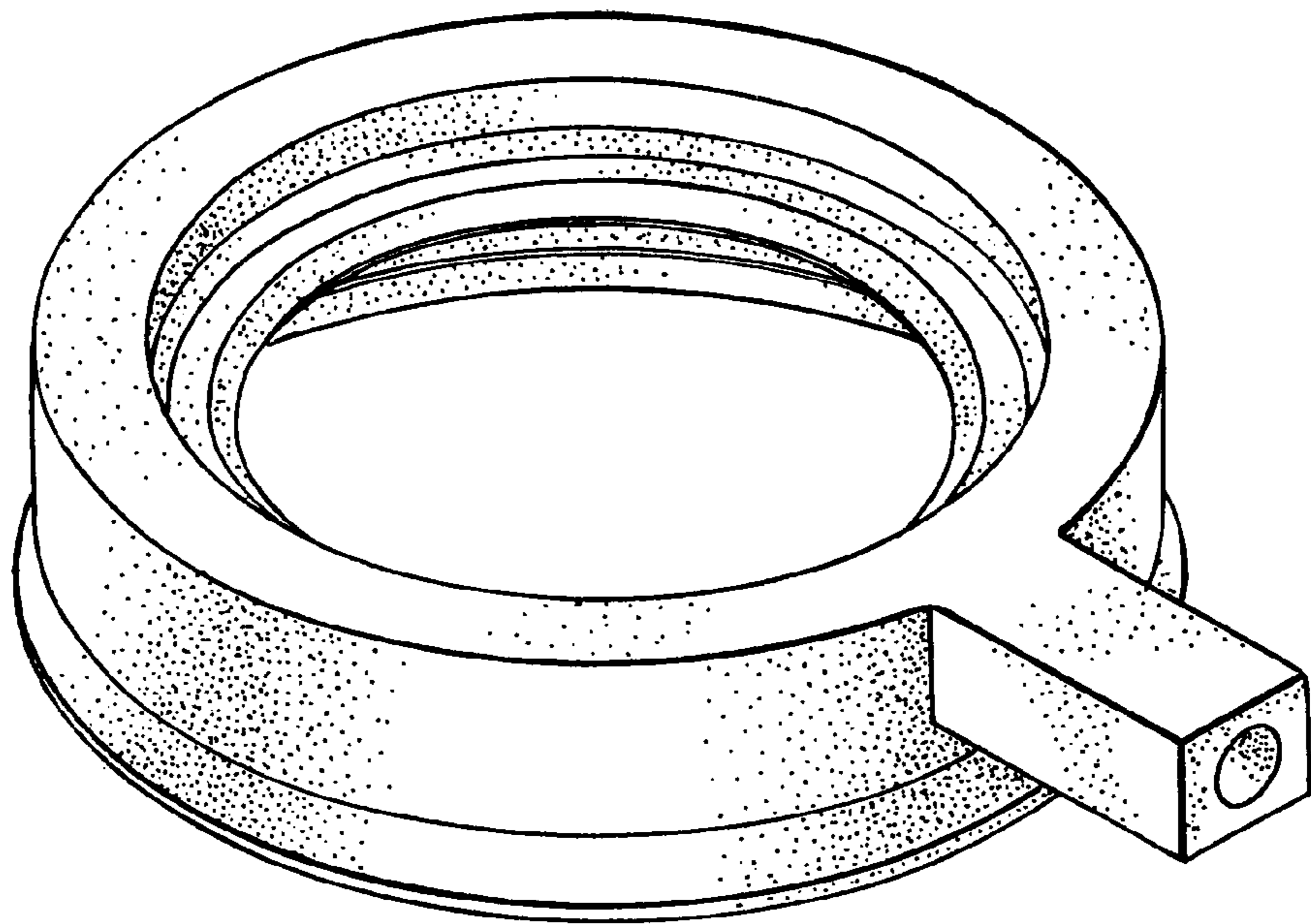


FIG. 6