



US00D462441S

(12) **United States Design Patent**
Garner

(10) **Patent No.:** **US D462,441 S**

(45) **Date of Patent:** **** Sep. 3, 2002**

(54) **TOOL FOR IRRIGATION NOZZLE
INSTALLATION**

D360,687 S * 7/1995 Ferragamo et al. D24/133
D375,788 S * 11/1996 Potts et al. D24/133

(76) Inventor: **Timothy Garner**, 8818 N. Butte Rd.,
Live Oak, CA (US) 95953

* cited by examiner

Primary Examiner—Pamela Burgess
(74) *Attorney, Agent, or Firm*—Bernhard Kreten

(**) Term: **14 Years**

(57) **CLAIM**

(21) Appl. No.: **29/143,783**

The ornamental design for a tool for irrigation nozzle
installation, as shown and described.

(22) Filed: **Jun. 19, 2001**

DESCRIPTION

(51) **LOC (7) Cl.** **24-02**

(52) **U.S. Cl.** **D24/133; D24/147; D8/1**

(58) **Field of Search** D24/128, 133,
D24/147, 140, 111, 108; D8/1; 604/157,
159; 239/271; 248/87; 226/127; 24/115 M

FIG. 1 is a perspective view of a tool for irrigation nozzle
installation, showing my new design.

FIG. 2 is a top view thereof.

FIG. 3 is a bottom view thereof.

FIG. 4 is a left side view, the right side being a mirror image
thereof.

FIG. 5 is a rear view thereof; and,

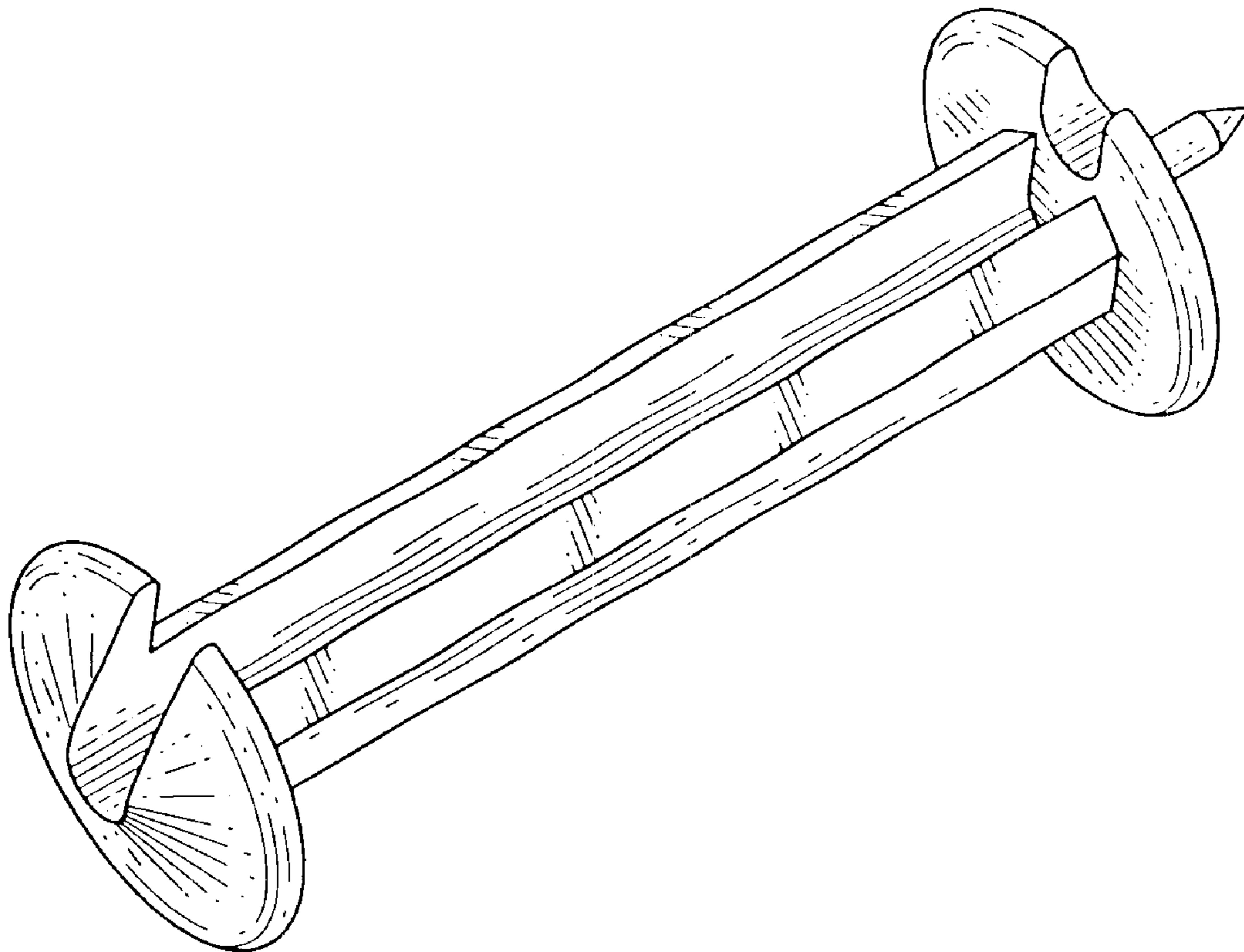
FIG. 6 is a front view thereof.

(56) **References Cited**

U.S. PATENT DOCUMENTS

4,858,810 A * 8/1989 Intlekofer et al. 604/159
5,137,517 A * 8/1992 Loney et al. 604/159

1 Claim, 1 Drawing Sheet



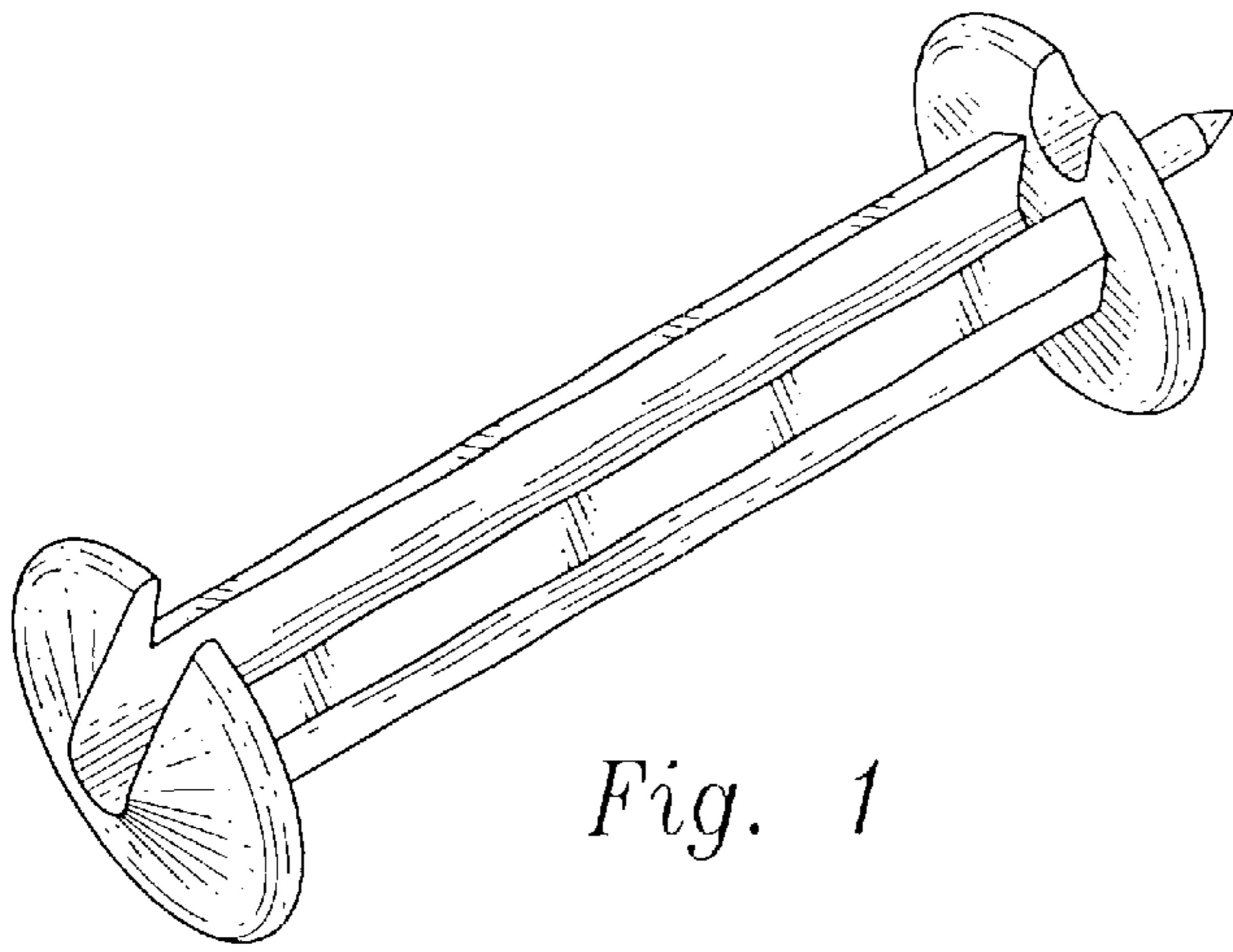


Fig. 1

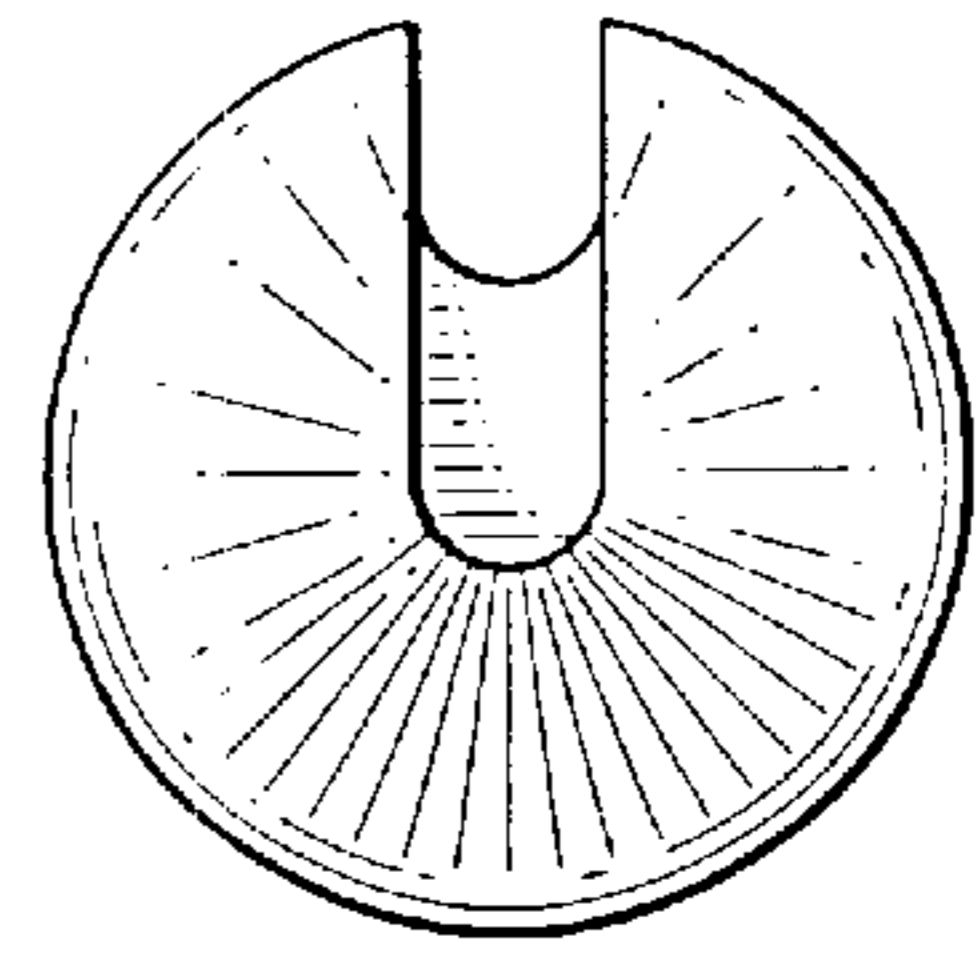


Fig. 5

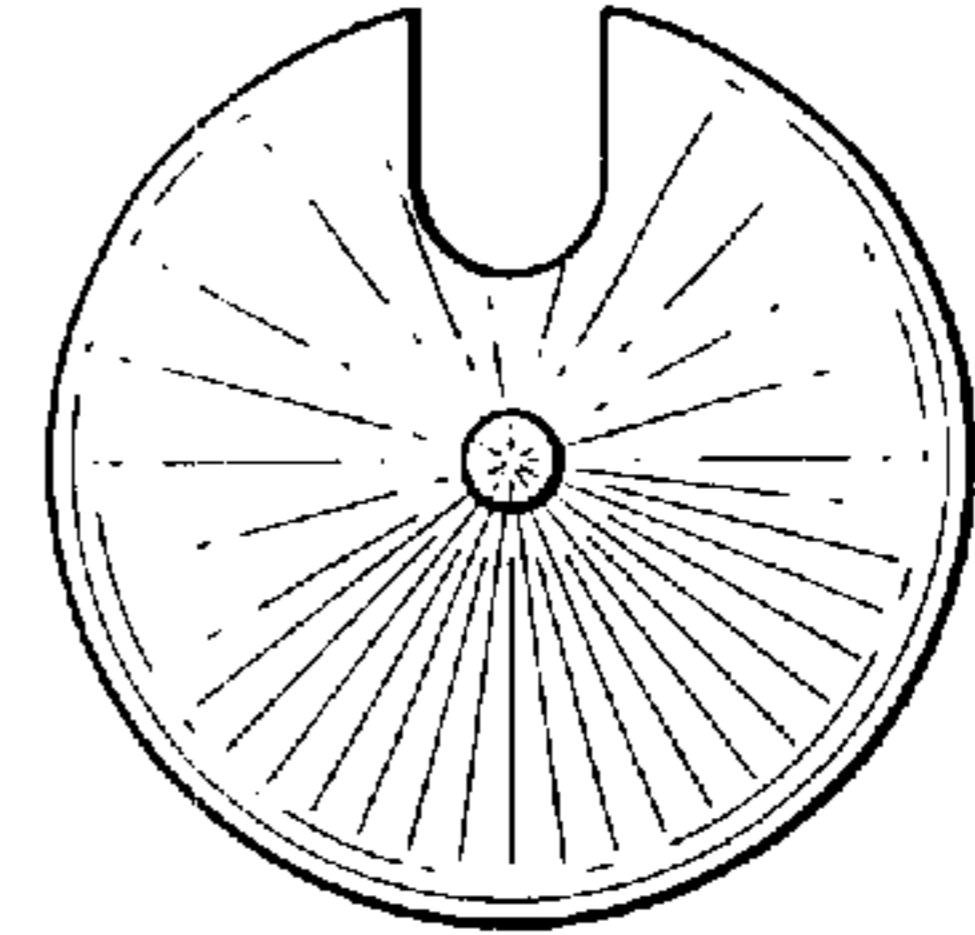


Fig. 6

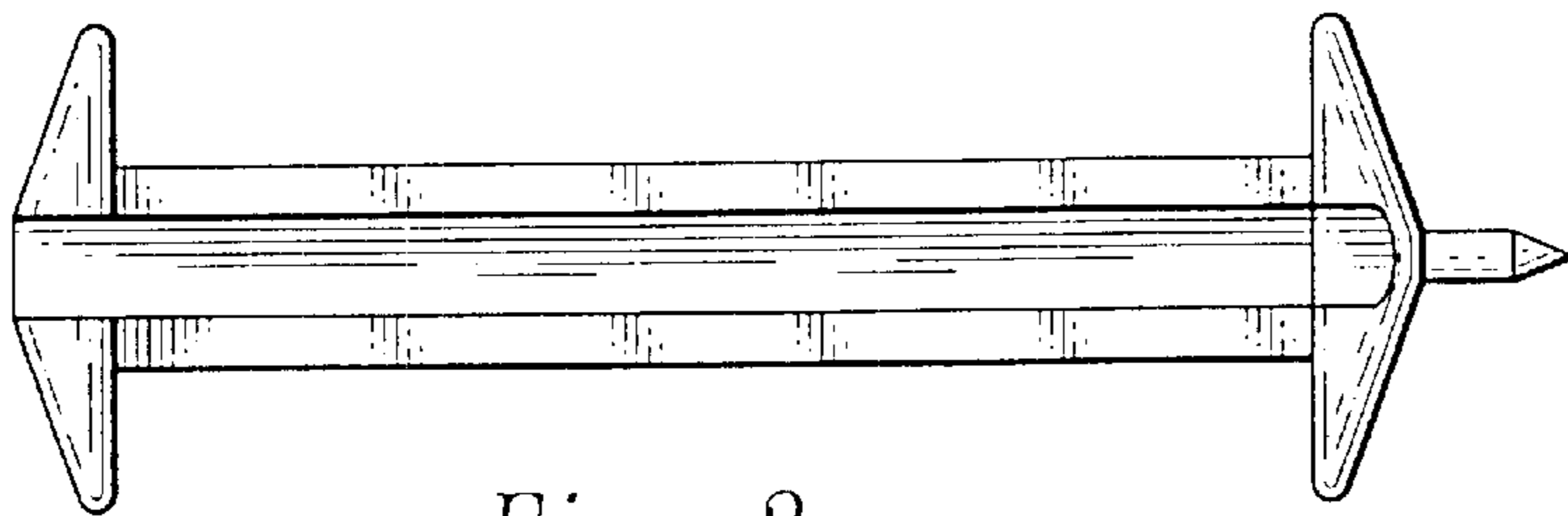


Fig. 2

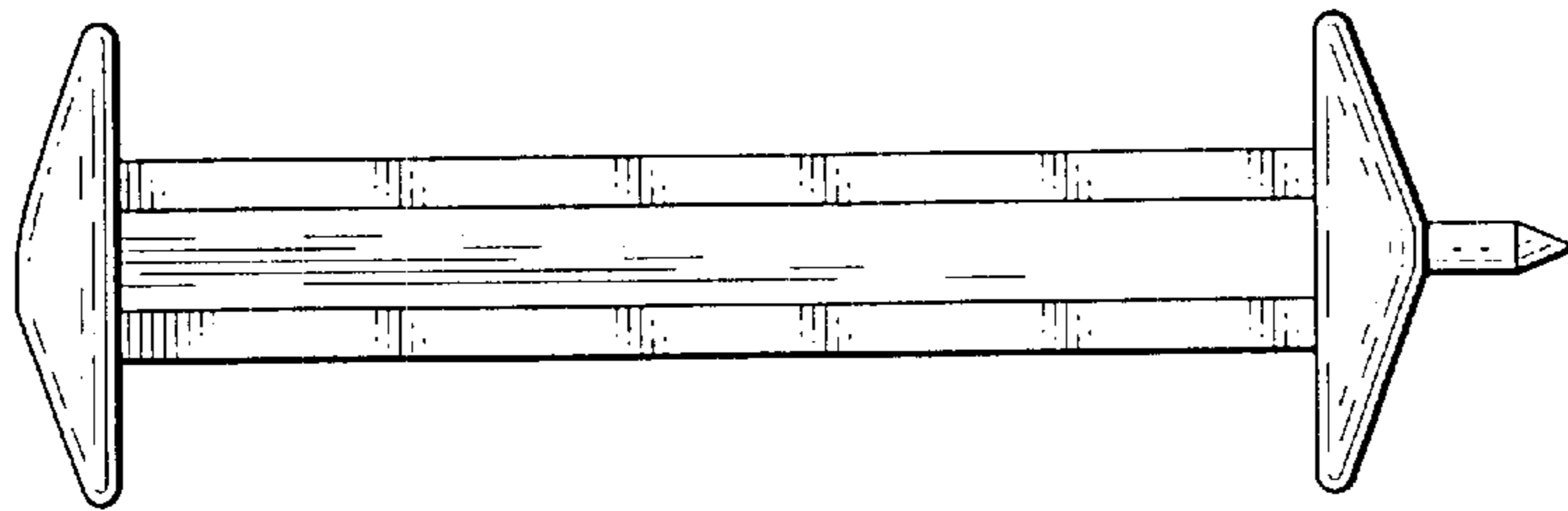


Fig. 3

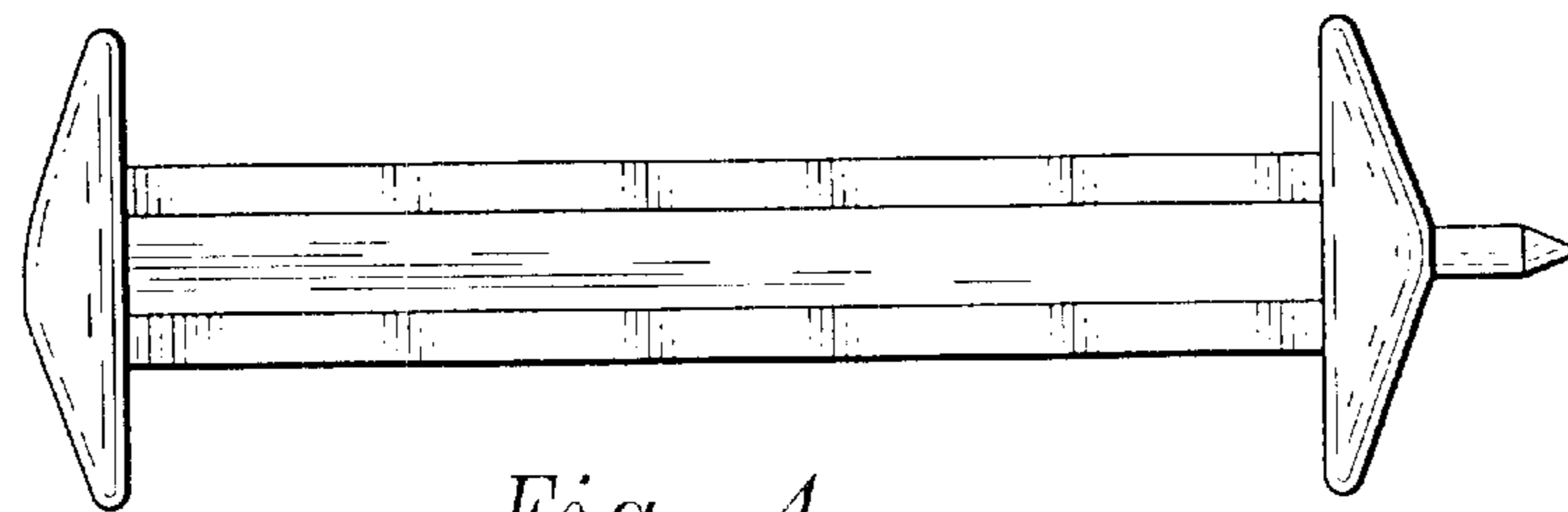


Fig. 4