



US00D462438S

(12) **United States Design Patent**
Masuda

(10) **Patent No.:** **US D462,438 S**

(45) **Date of Patent:** **** Sep. 3, 2002**

(54) **ANTI-MOUTH BREATHING APPARATUS**

(75) **Inventor:** **Tadaharu Masuda, Takamatsu (JP)**

(73) **Assignee:** **SOLACE Co., Ltd., Kagawa-ken (JP)**

(**) **Term:** **14 Years**

(21) **Appl. No.:** **29/146,918**

(22) **Filed:** **Aug. 17, 2001**

(51) **LOC (7) Cl.** **29-02**

(52) **U.S. Cl.** **D24/110; D24/105; D24/133**

(58) **Field of Search** **D24/110, 110.5,**
D24/180, 140, 141, 105, 133; 128/848,
860, 861

(56) **References Cited**

U.S. PATENT DOCUMENTS

- D302,036 S * 7/1989 George D24/110
- 5,003,994 A * 4/1991 Cook 128/848
- 5,462,066 A * 10/1995 Snyder 128/848

- 5,720,302 A * 2/1998 Belfer 128/848
- 5,921,240 A * 7/1999 Gall 128/848
- 6,170,485 B1 * 1/2001 Orrico 128/848

* cited by examiner

Primary Examiner—Ian Simmons

(74) *Attorney, Agent, or Firm*—Jordan and Hamburg LLP

(57) **CLAIM**

The ornamental design for an anti-mouth breathing apparatus, as shown and described.

DESCRIPTION

FIG. 1 is a front view of an anti-mouth breathing apparatus showing my new design;
 FIG. 2 is a back view thereof;
 FIG. 3 is a right side view thereof;
 FIG. 4 is a top view thereof;
 FIG. 5 is a bottom view thereof; and,
 FIG. 6 is a sectional view thereof, taken along line 6—6 in FIG. 1.

1 Claim, 2 Drawing Sheets

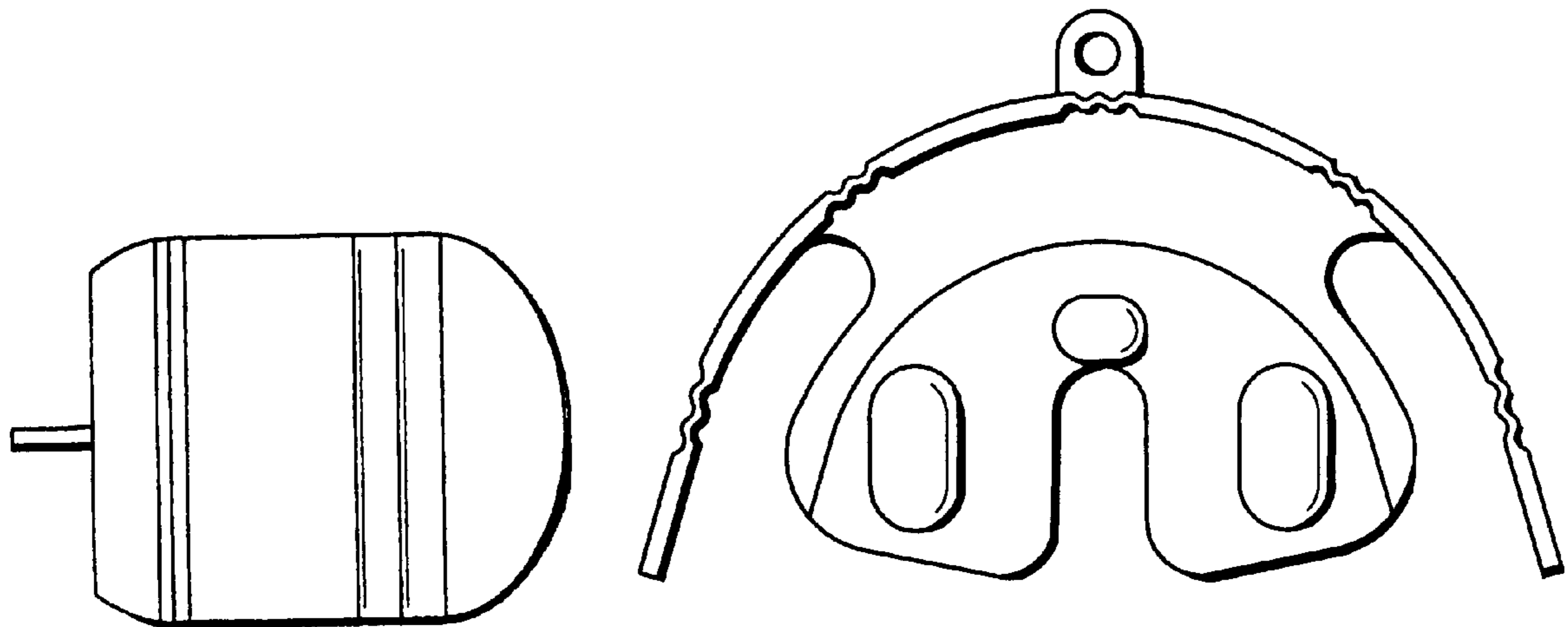


FIG. 1

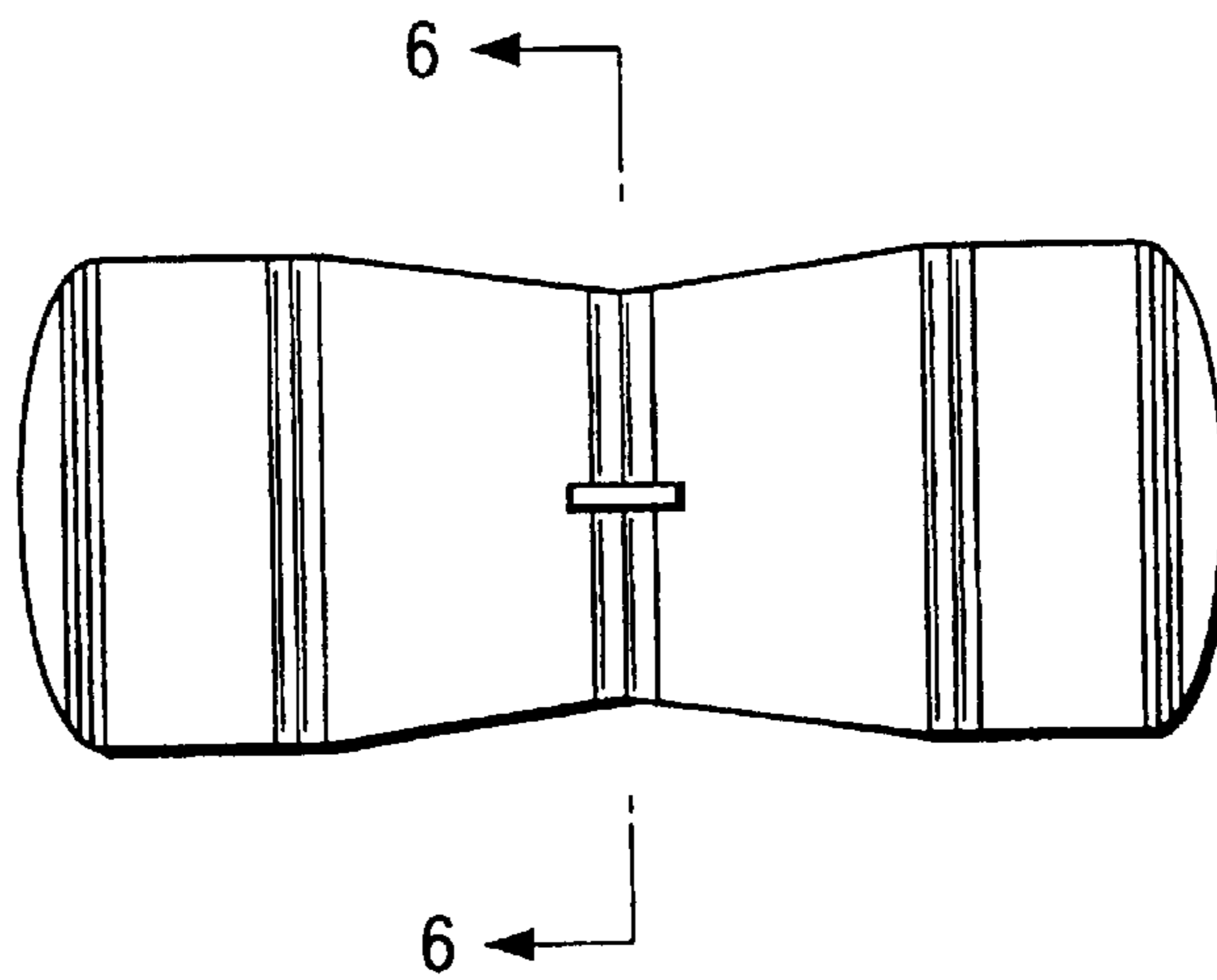


FIG. 2

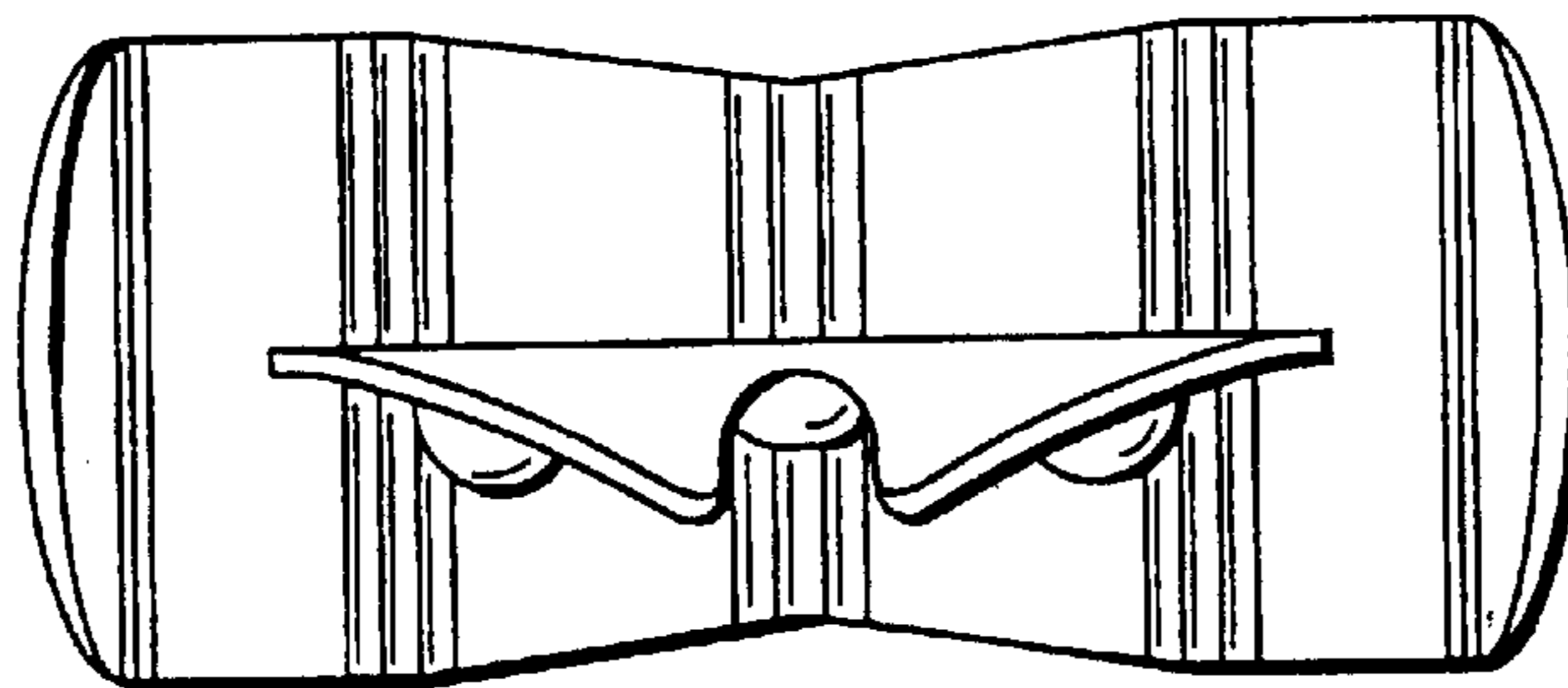


FIG. 3

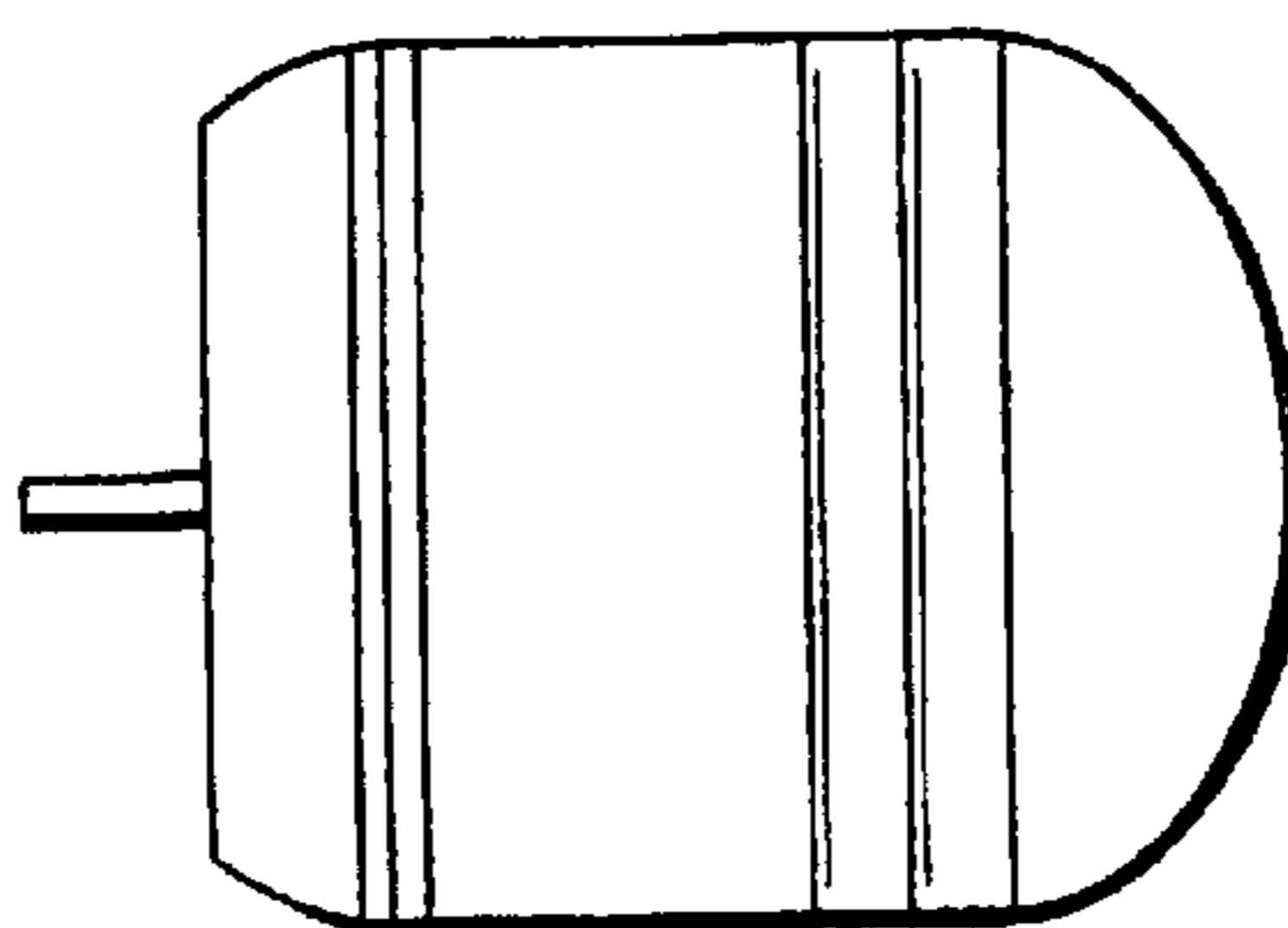


FIG. 4

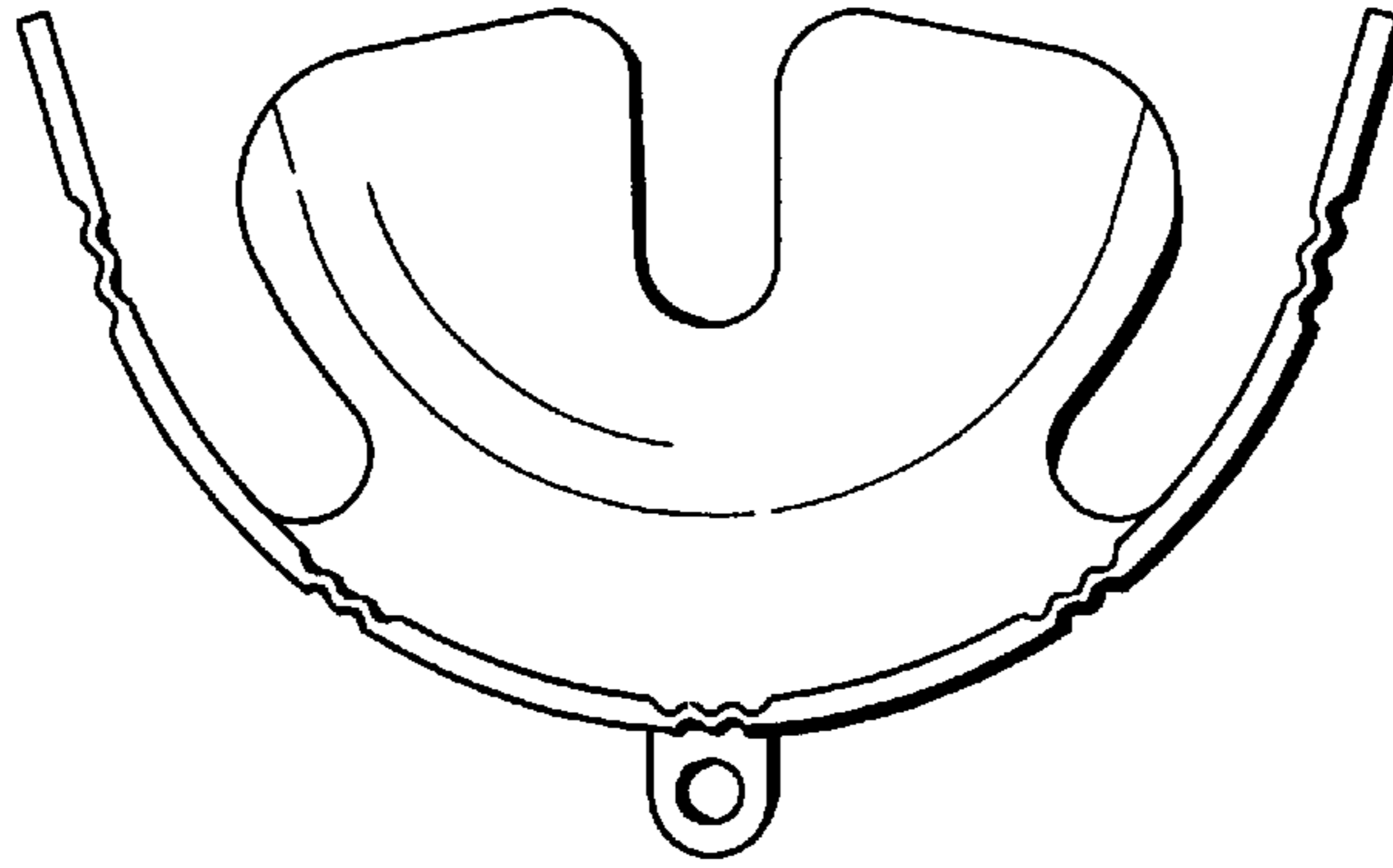


FIG. 5

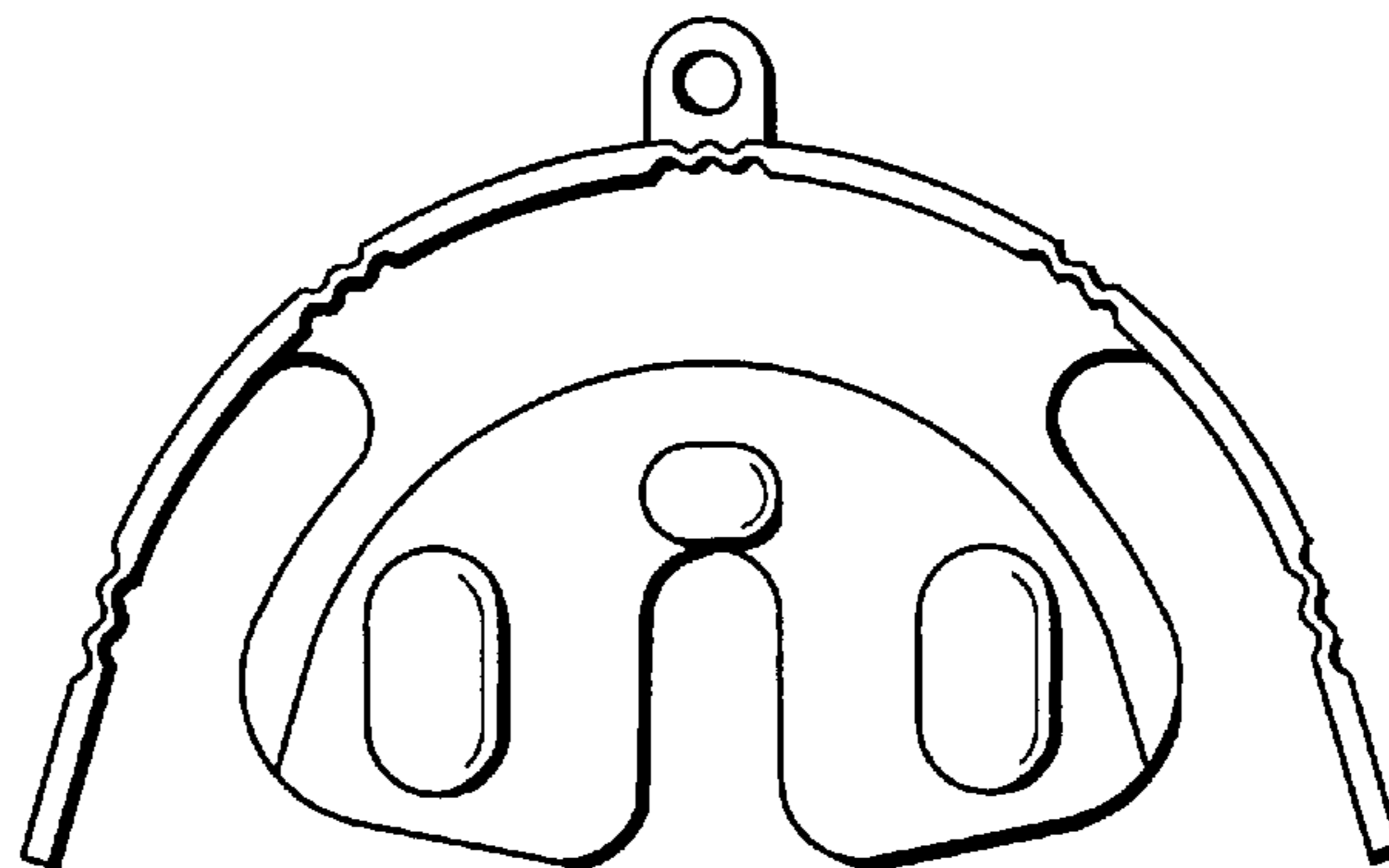


FIG. 6

