



US00D462437S

(12) **United States Design Patent**
Epstein et al.

(10) **Patent No.:** **US D462,437 S**
(45) **Date of Patent:** **** Sep. 3, 2002**

- (54) **MANUALLY OPERABLE IRRIGATION SURGICAL INSTRUMENT**
- (75) Inventors: **Gordon Howard Epstein**, Fremont, CA (US); **Alan Kirby Plyley**, Goleta, CA (US); **Russell James Redmond**, Goleta, CA (US)
- (73) Assignee: **Baxter International Inc.**, Deerfield, IL (US)
- (**) Term: **14 Years**
- (21) Appl. No.: **29/084,634**
- (22) Filed: **Mar. 6, 1998**

4,617,013 A	10/1986	Betz
4,857,047 A	8/1989	Amolis
4,904,238 A	2/1990	Williams
5,045,055 A	9/1991	Gonser et al.
5,186,714 A	2/1993	Boudreault et al.
5,217,465 A	6/1993	Steppe
5,226,877 A	7/1993	Epstein
5,295,956 A *	3/1994	Bales et al. 604/30
5,405,607 A	4/1995	Epstein
5,484,402 A *	1/1996	Saravia et al. D24/112 X
5,571,081 A	11/1996	Adhoute
D380,544 S *	7/1997	Sandock D24/108
D391,367 S *	2/1998	Sandock D24/108
5,749,968 A	5/1998	Melanson et al.

Related U.S. Application Data

- (63) Continuation of application No. 08/838,078, filed on Apr. 14, 1997, now Pat. No. 6,331,172, and a continuation of application No. 08/839,614, filed on Apr. 15, 1997, now Pat. No. 5,971,956.
- (51) **LOC (7) Cl.** **24-01**
- (52) **U.S. Cl.** **D24/108**
- (58) **Field of Search** D24/108, 112, D24/133, 143; 604/33, 30, 35, 21, 43, 27, 28

References Cited

U.S. PATENT DOCUMENTS

3,065,749 A	11/1962	Brass
3,208,145 A	9/1965	Turner
4,043,042 A	8/1977	Perfect
4,299,221 A	11/1981	Phillips et al.
4,445,517 A	5/1984	Feild
4,519,385 A	5/1985	Atkinson et al.
4,573,979 A	3/1986	Blake

FOREIGN PATENT DOCUMENTS

DE 3701190 7/1988

* cited by examiner

Primary Examiner—Ian Simmons

(74) *Attorney, Agent, or Firm*—Oppenheimer, Wolff & Donnelley

CLAIM

(57) The ornamental design for manually operable irrigation surgical instrument, as shown and described.

DESCRIPTION

FIG. 1 is a perspective view of a manually operable irrigation surgical instrument showing our new design;
 FIG. 2 is a front elevational view thereof;
 FIG. 3 is a side elevational view thereof, the opposite side elevational view being a mirror image thereof;
 FIG. 4 is a rear elevational view thereof;
 FIG. 5 is a top plan view thereof; and,
 FIG. 6 is a bottom plan view thereof.

1 Claim, 3 Drawing Sheets

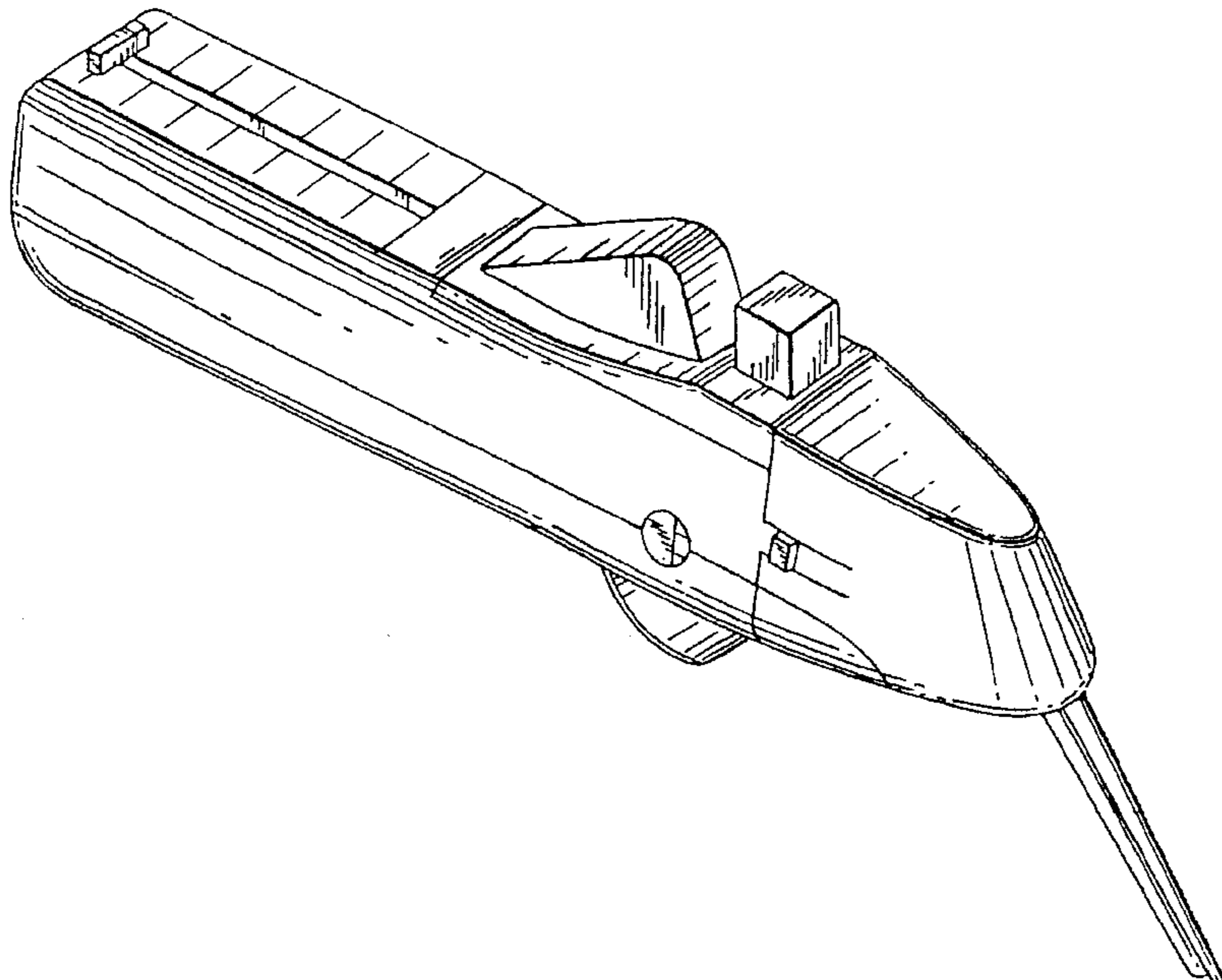


FIG. 1

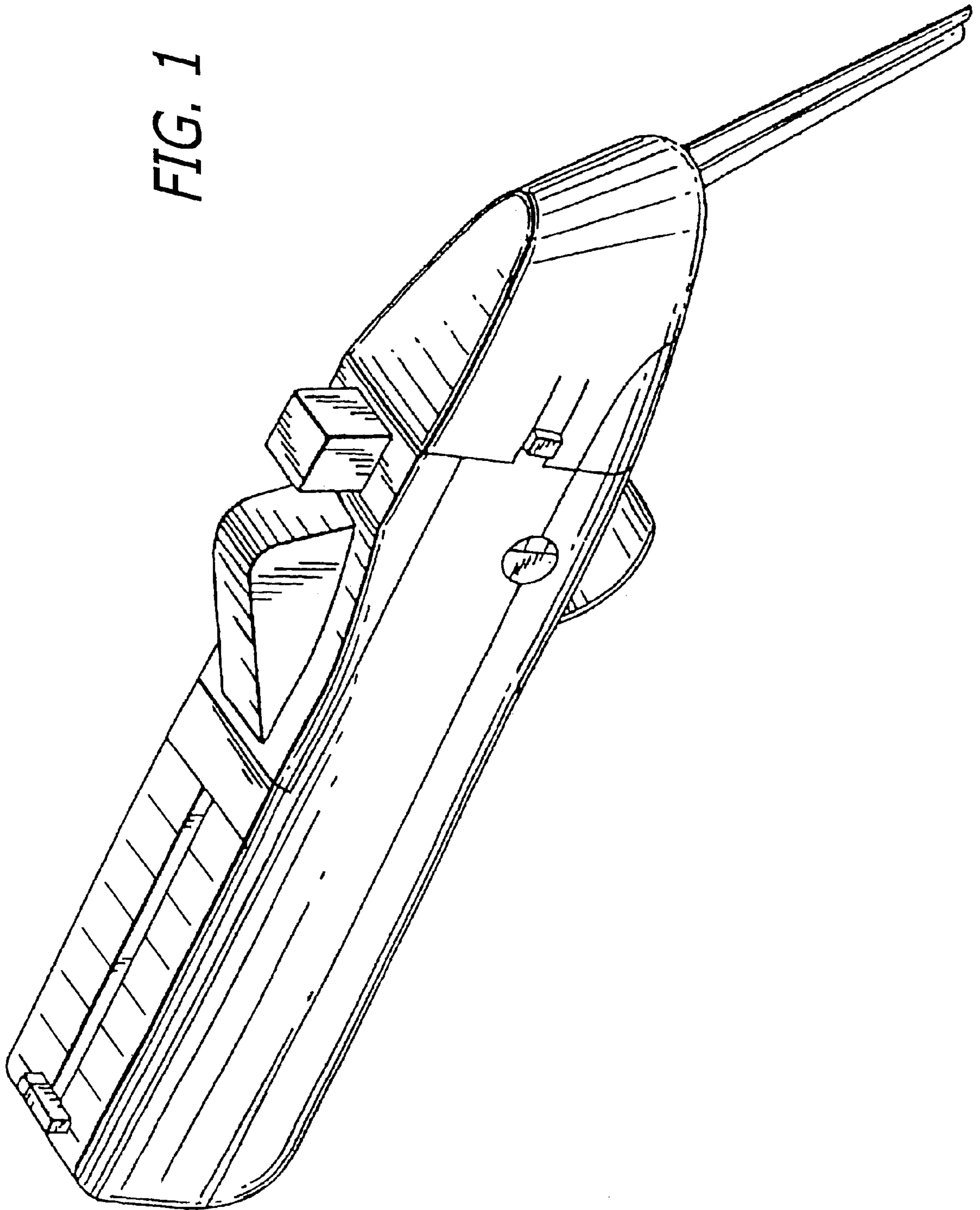


FIG. 4

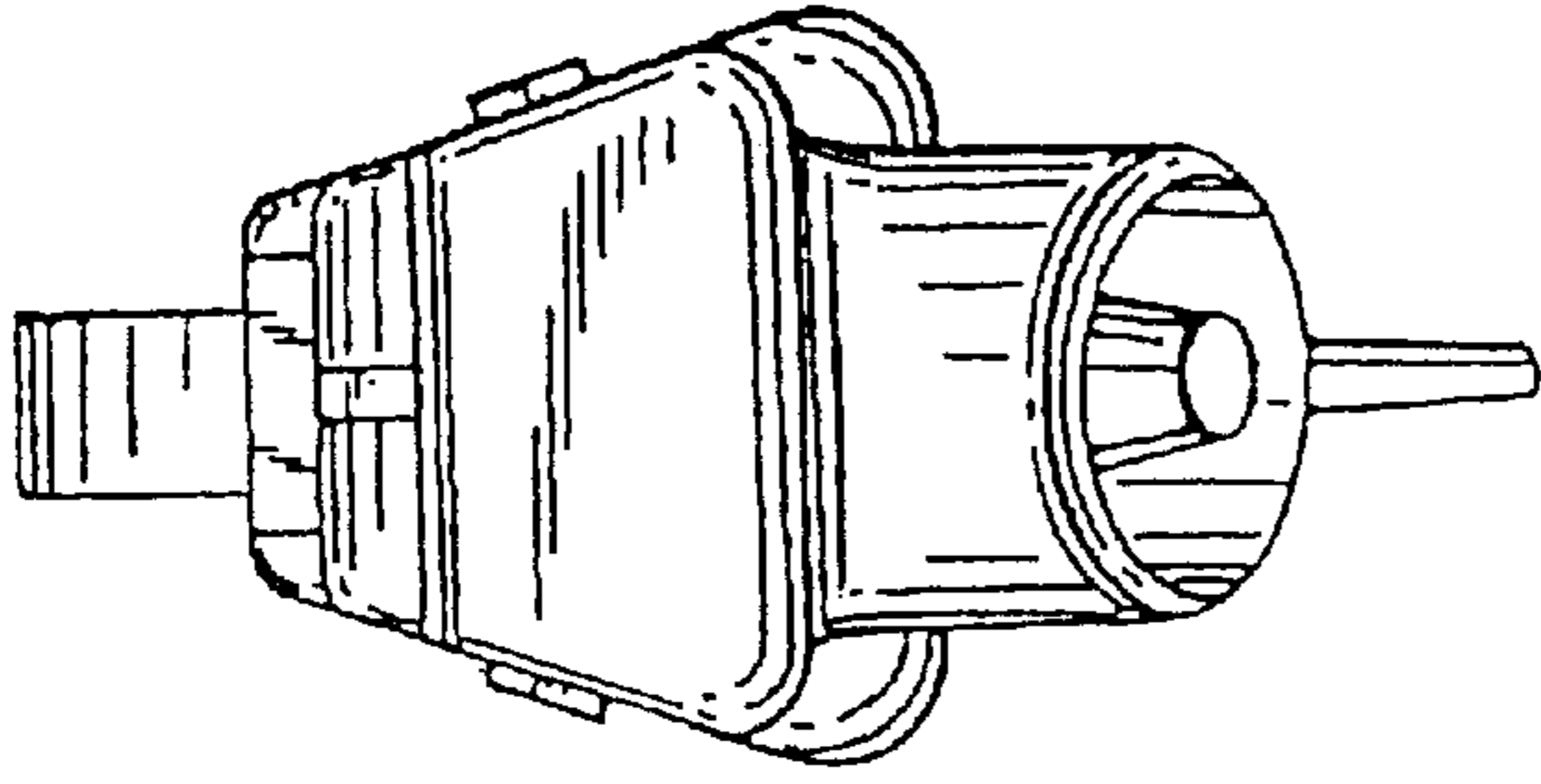


FIG. 2

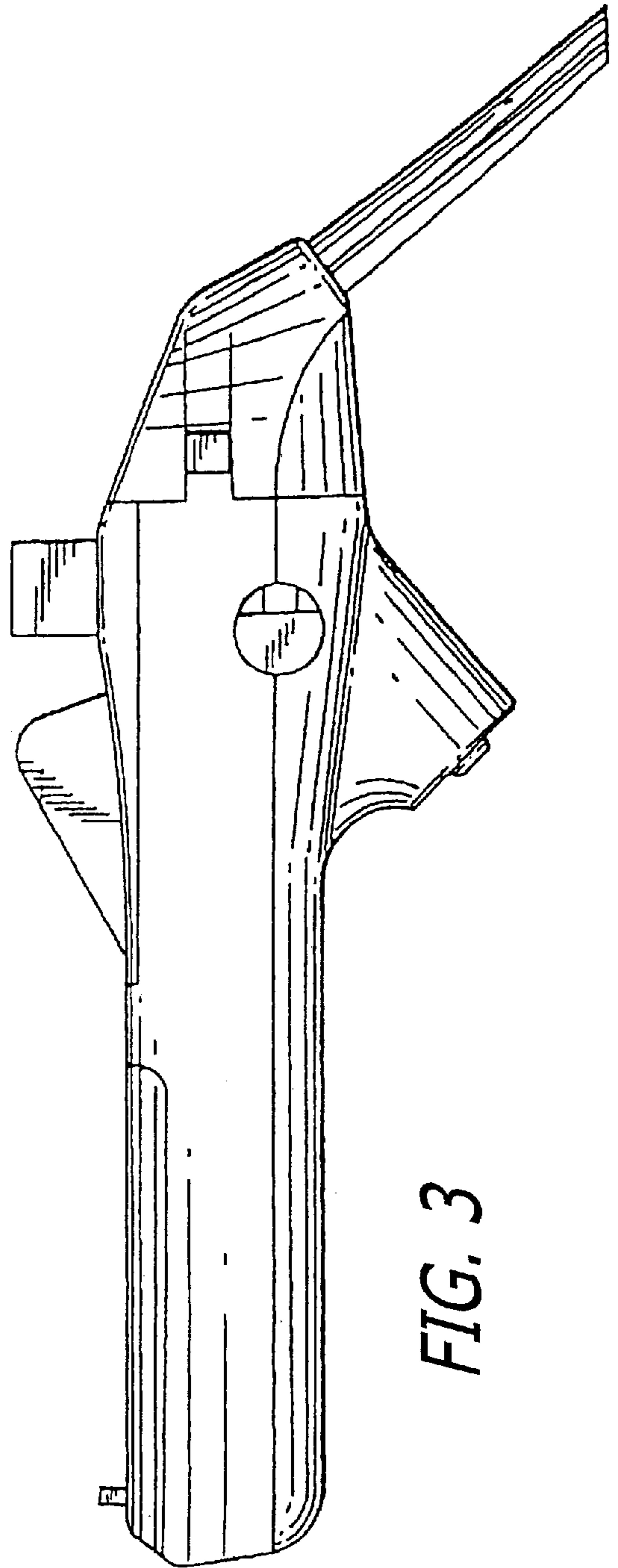
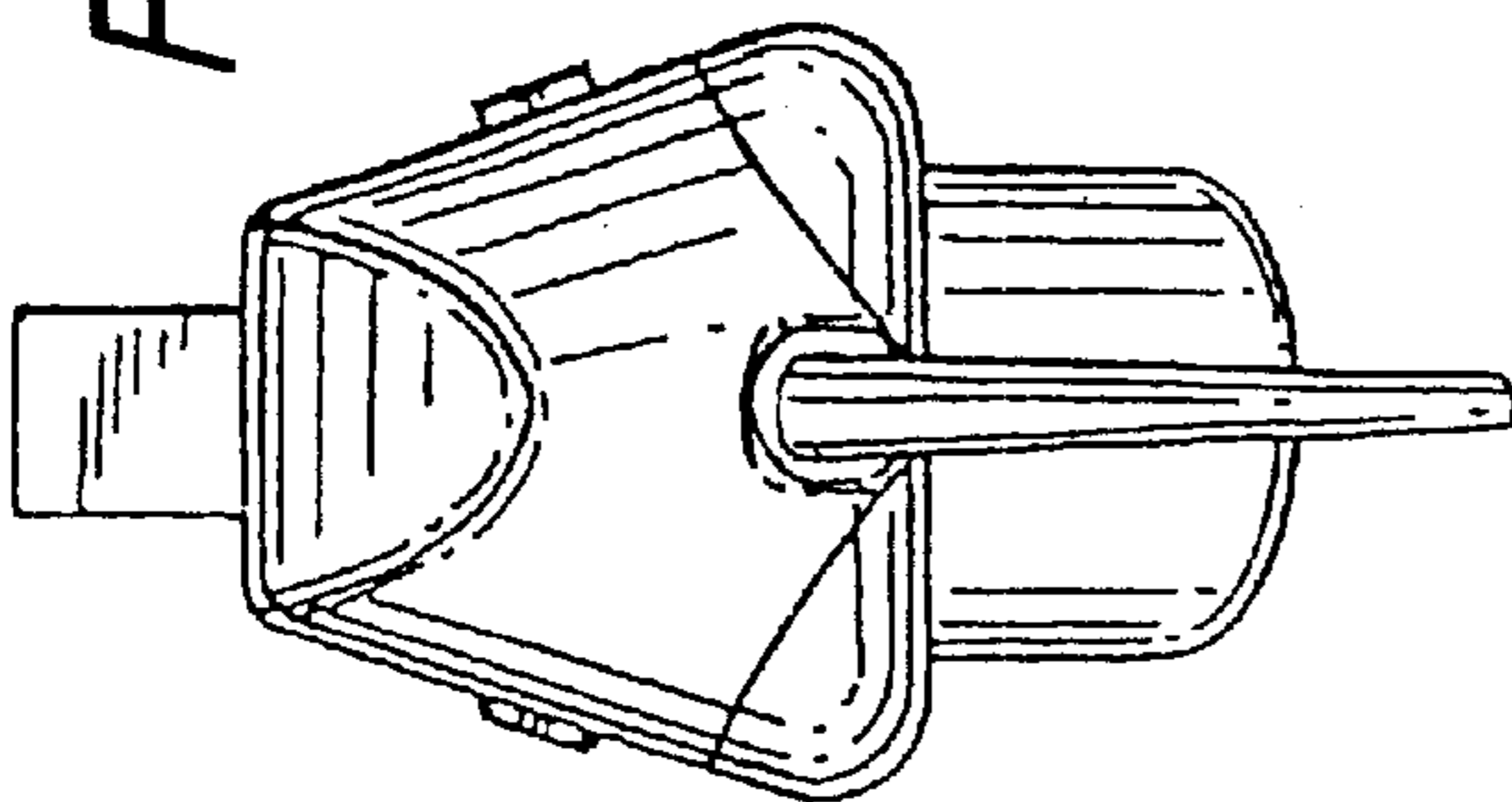


FIG. 3

FIG. 5

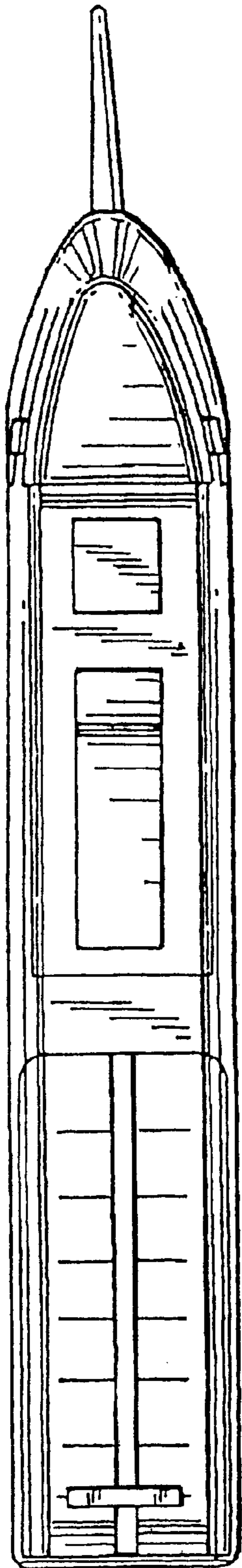


FIG. 6

